



US00D911146S

(12) **United States Design Patent** (10) **Patent No.:** **US D911,146 S**
Hall (45) **Date of Patent:** **** Feb. 23, 2021**

(54) **DOOR HINGE**
(71) Applicant: **KINGSWAY ENTERPRISES (UK) LIMITED**, Swanley (GB)
(72) Inventor: **Benjamin Hall**, Swanley (GB)
(73) Assignee: **Kingsway Enterprises (UK) Limited**, Kent (GB)
(**) Term: **15 Years**
(21) Appl. No.: **29/663,945**

D520,337 S * 5/2006 Alvarado D8/323
D605,492 S * 12/2009 De Leone D8/323
D628,409 S * 12/2010 Anzai D8/323
D688,069 S * 8/2013 Henderson A47C 27/20
D6/606
D710,181 S * 8/2014 Christensen et al. D8/323
D729,605 S * 5/2015 Ramey D8/323
D756,195 S * 5/2016 Shadley D8/323
D773,934 S * 12/2016 Kuruvilla D9/499
D792,190 S * 7/2017 Lewis D8/323
10,550,619 B2 * 2/2020 Caffrey E05F 1/06
D894,713 S * 9/2020 Hall D8/323
D906,083 * 12/2020 Barsby D8/323

* cited by examiner

(22) Filed: **Sep. 20, 2018**
(30) **Foreign Application Priority Data**

Primary Examiner — Cynthia R Underwood
(74) *Attorney, Agent, or Firm* — Erise IP, P.A.

Aug. 17, 2018 (GB) 6041758
(51) **LOC (13) Cl.** **08-06**
(52) **U.S. Cl.**
USPC **D8/328; D8/323**
(58) **Field of Classification Search**
USPC D8/323, 328, 342, 337
CPC .. E05D 1/00; E05D 11/06; E05D 5/10; E05D
3/02; E05D 11/082; A47K 13/12
See application file for complete search history.

(57) **CLAIM**

The ornamental design for a door hinge, as shown and described.

(56) **References Cited**

DESCRIPTION

U.S. PATENT DOCUMENTS

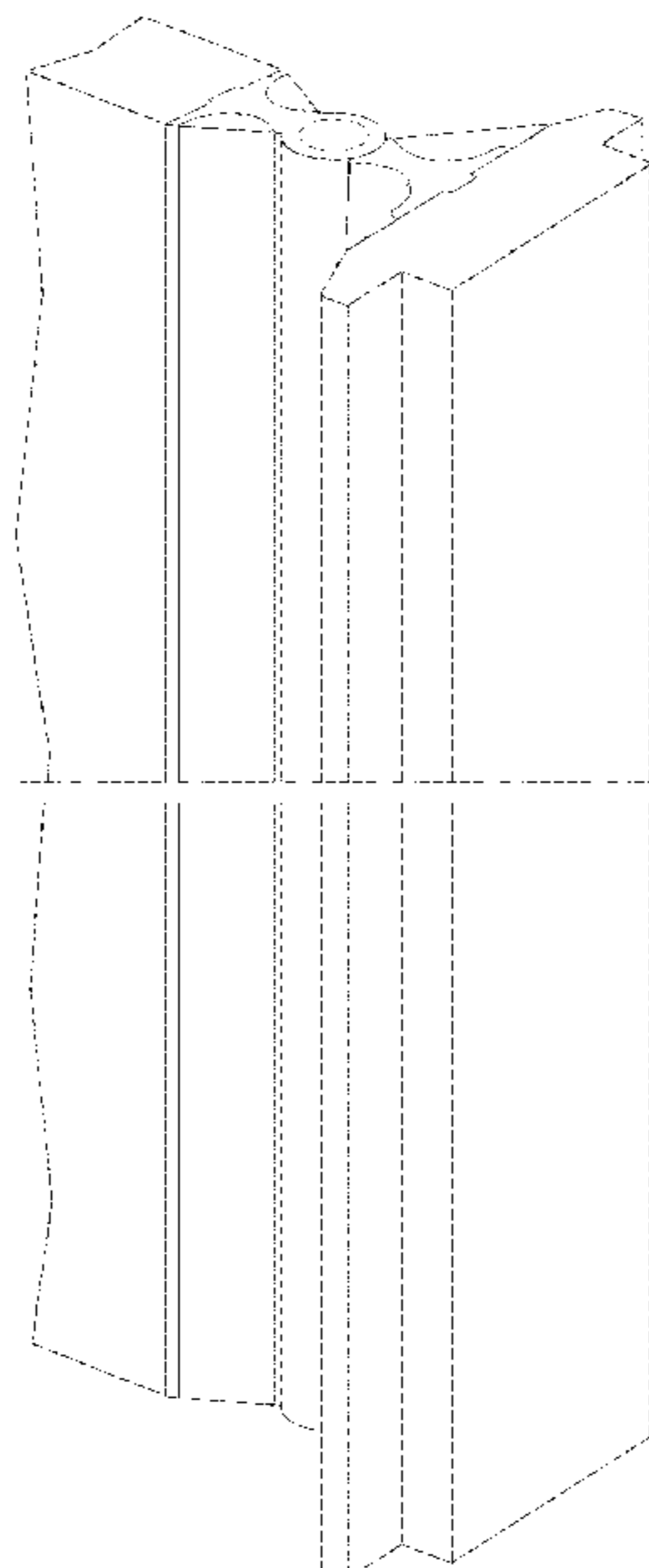
4,387,760 A * 6/1983 Greschbach D25/122
D303,492 S * 9/1989 Bisbing D8/323
D303,622 S * 9/1989 Fulcher D8/323
4,922,987 A * 5/1990 Marontate et al. E05D 11/06
16/375
5,150,501 A * 9/1992 Pasternak E05D 3/12
160/229.1
5,472,037 A * 12/1995 Hoffman E05D 7/009
160/118
D512,299 S * 12/2005 Libert D8/323

FIG. 1 is a perspective view of a door hinge embodying the design;
FIG. 2 is a top view thereof;
FIG. 3 is a bottom view thereof;
FIG. 4 is a front view thereof;
FIG. 5 is a rear view thereof;
FIG. 6 is a left side view thereof; and,
FIG. 7 is a right side view thereof.

The broken lines in the drawing figures are for the purpose of illustrating the door hinge in an environmental structure and form no part of the claimed design.

The hinge is shown with a symbolic break in its length indicated by the dot-dash break lines. The appearance of any portion of the article between the break lines forms no part of the claimed design.

1 Claim, 4 Drawing Sheets



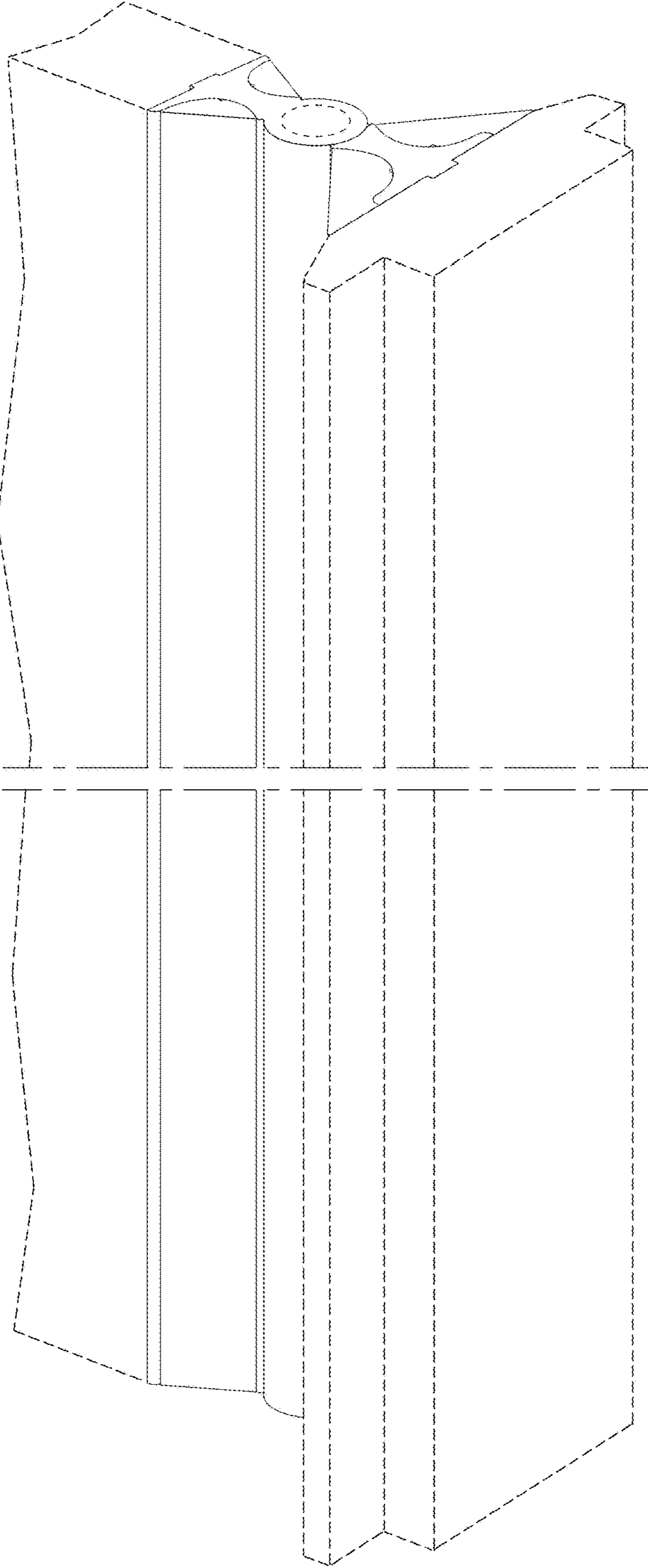


FIG. 1

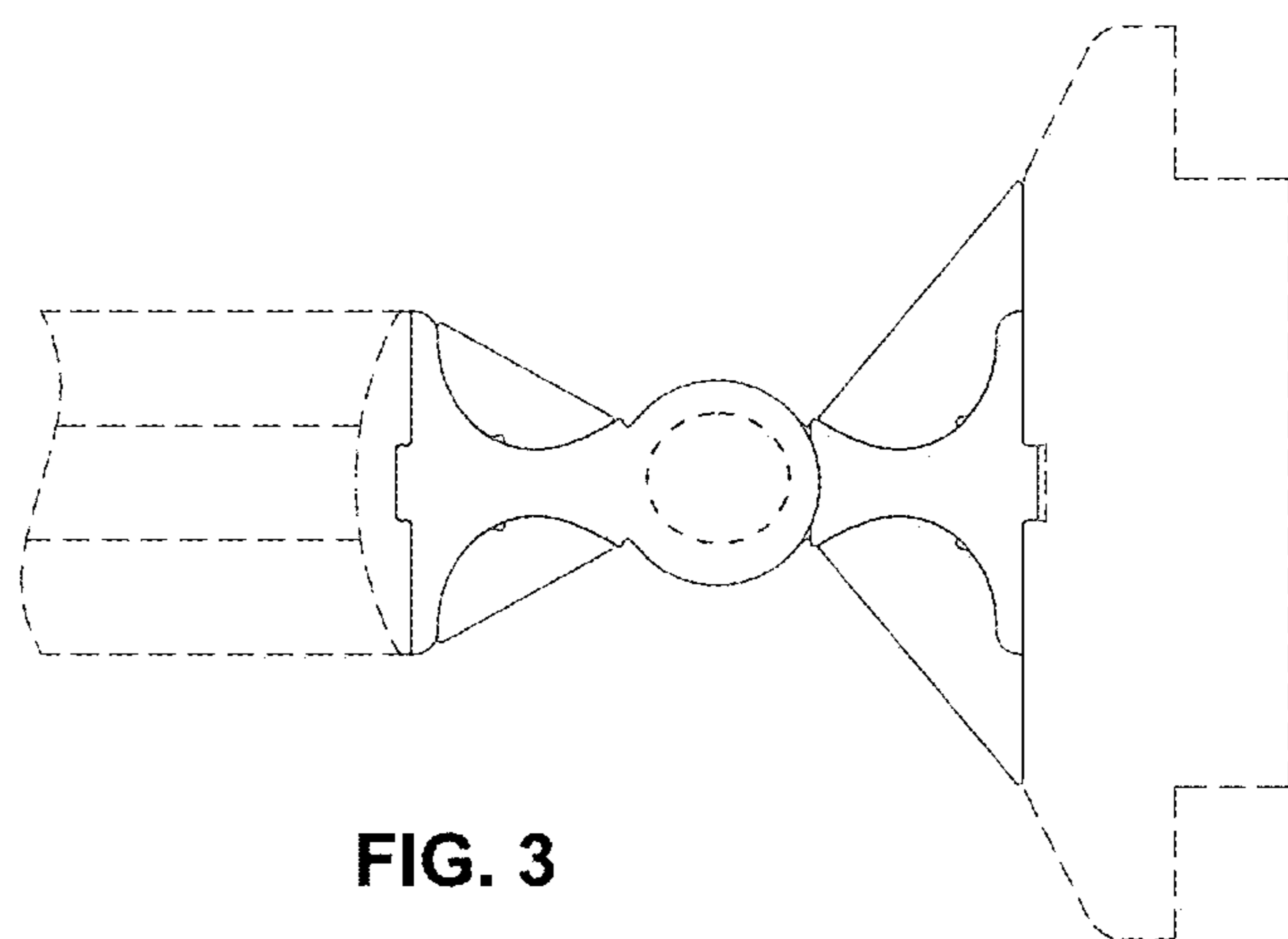
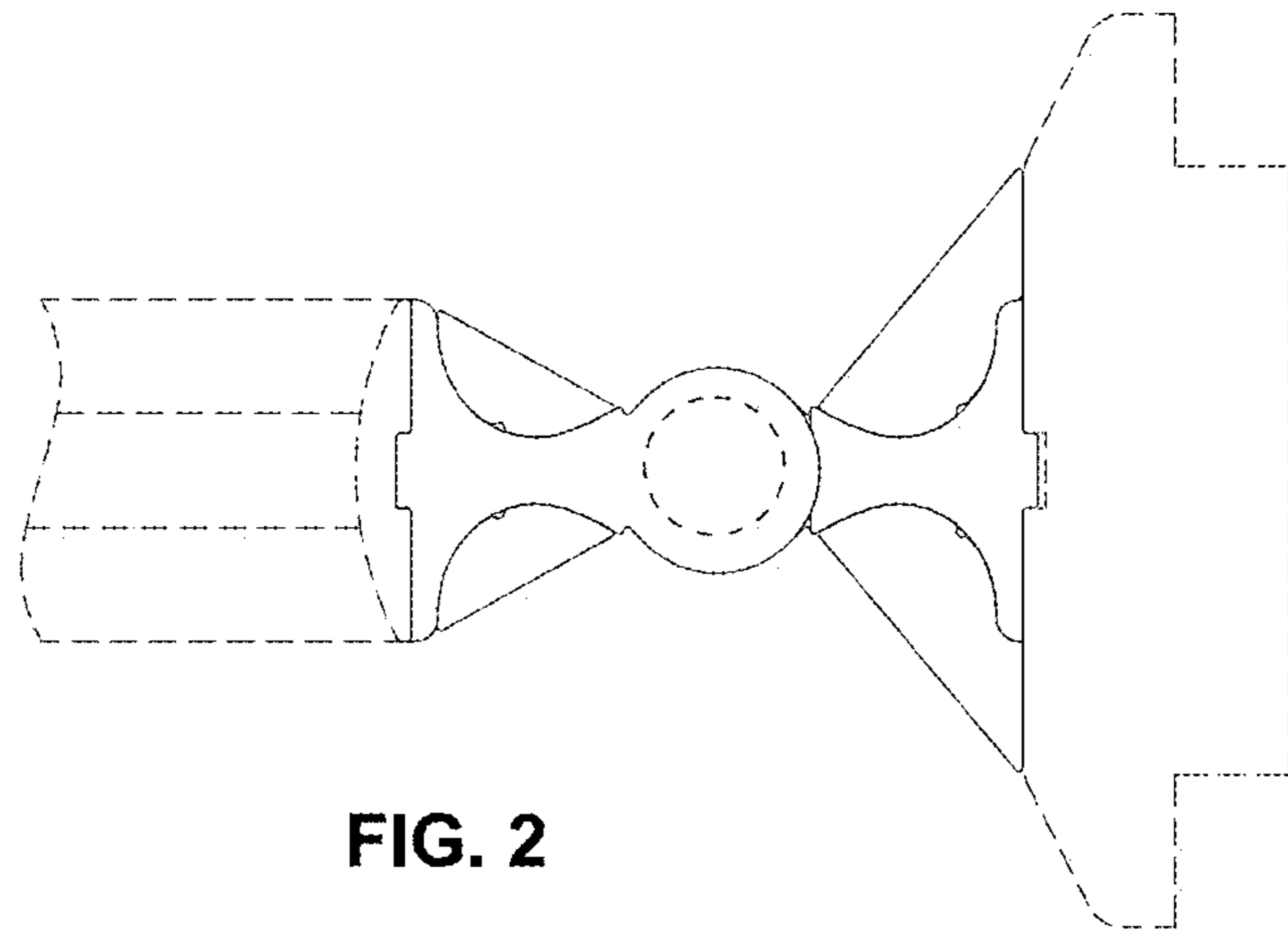


FIG. 4

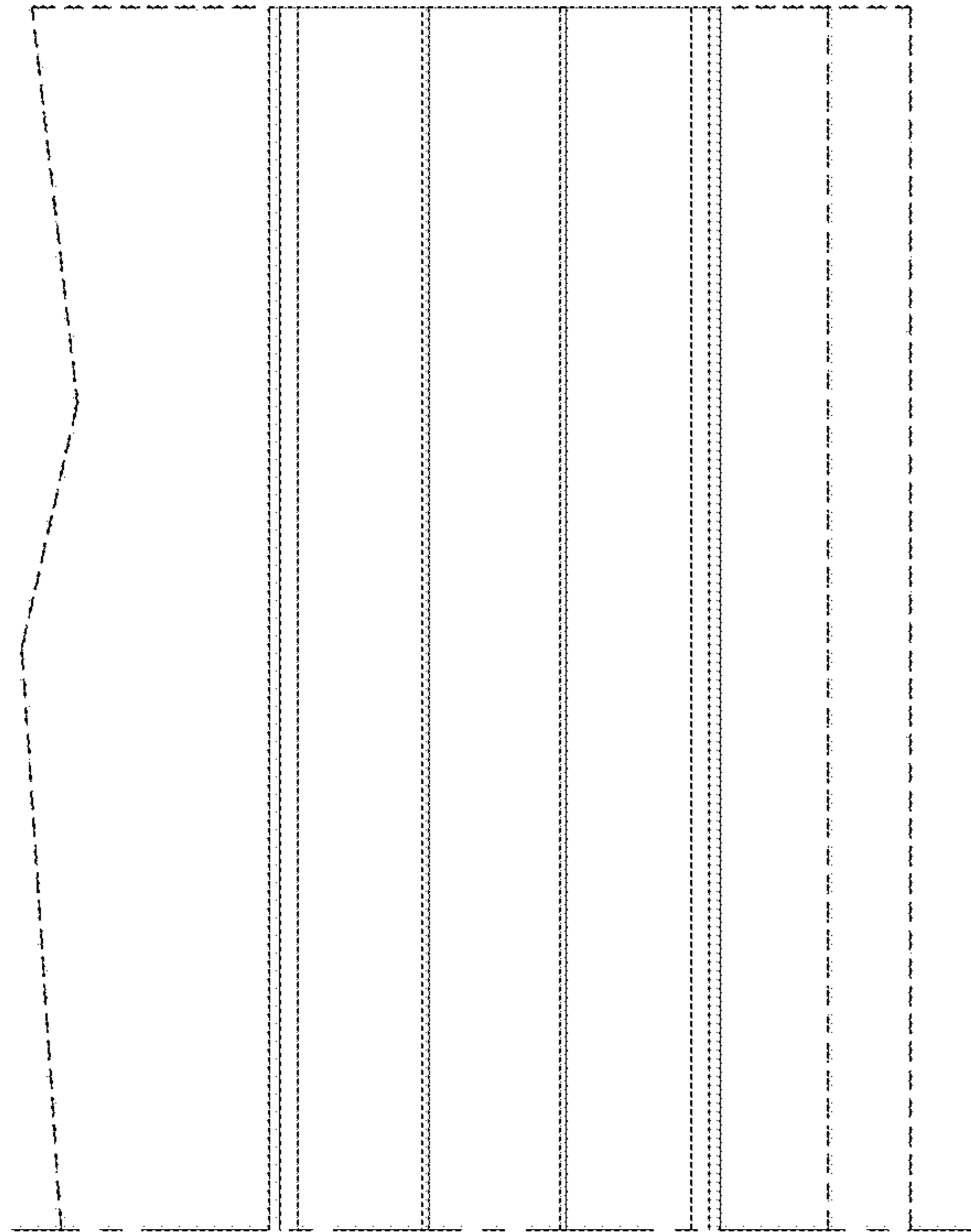


FIG. 5

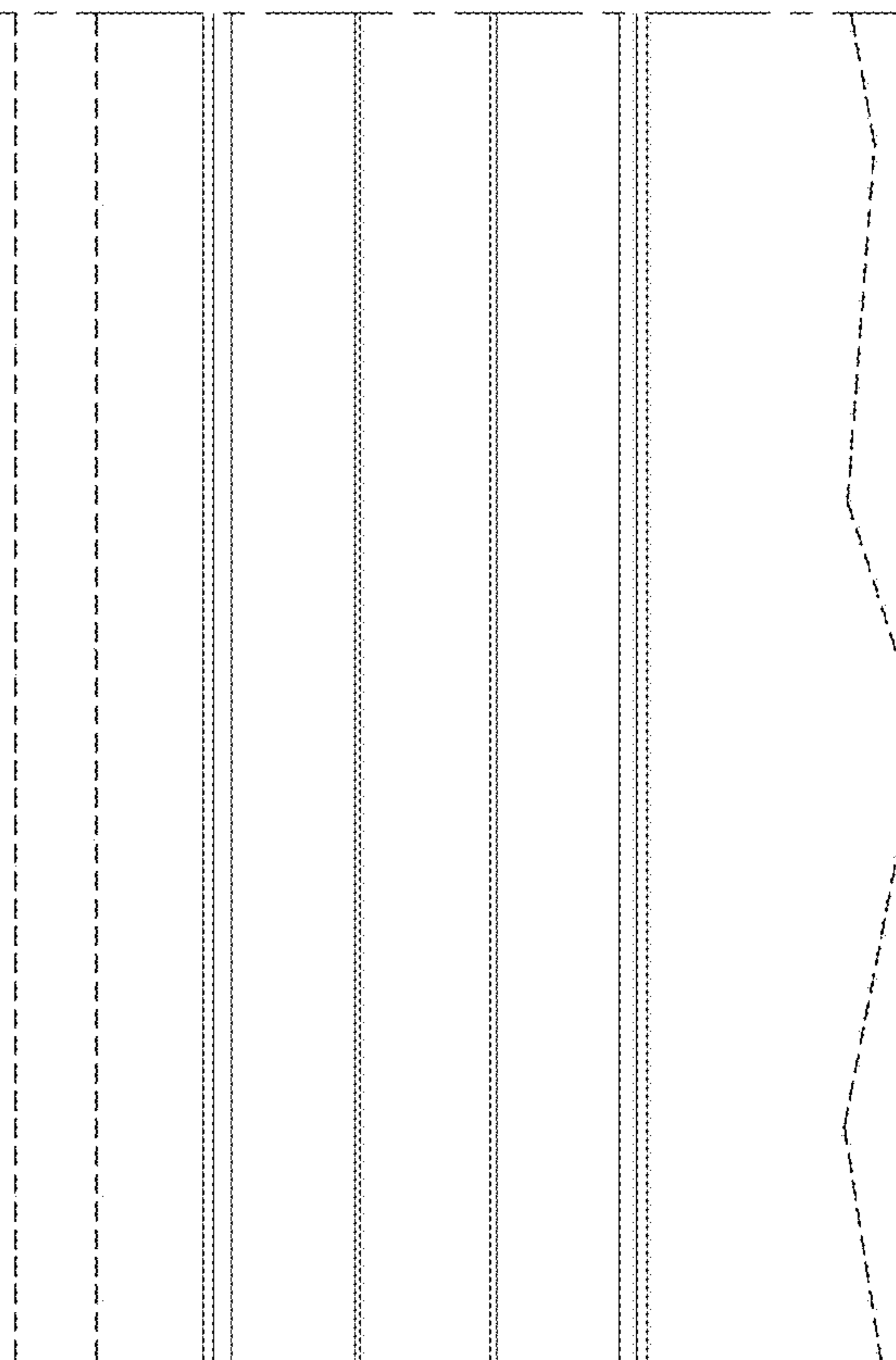
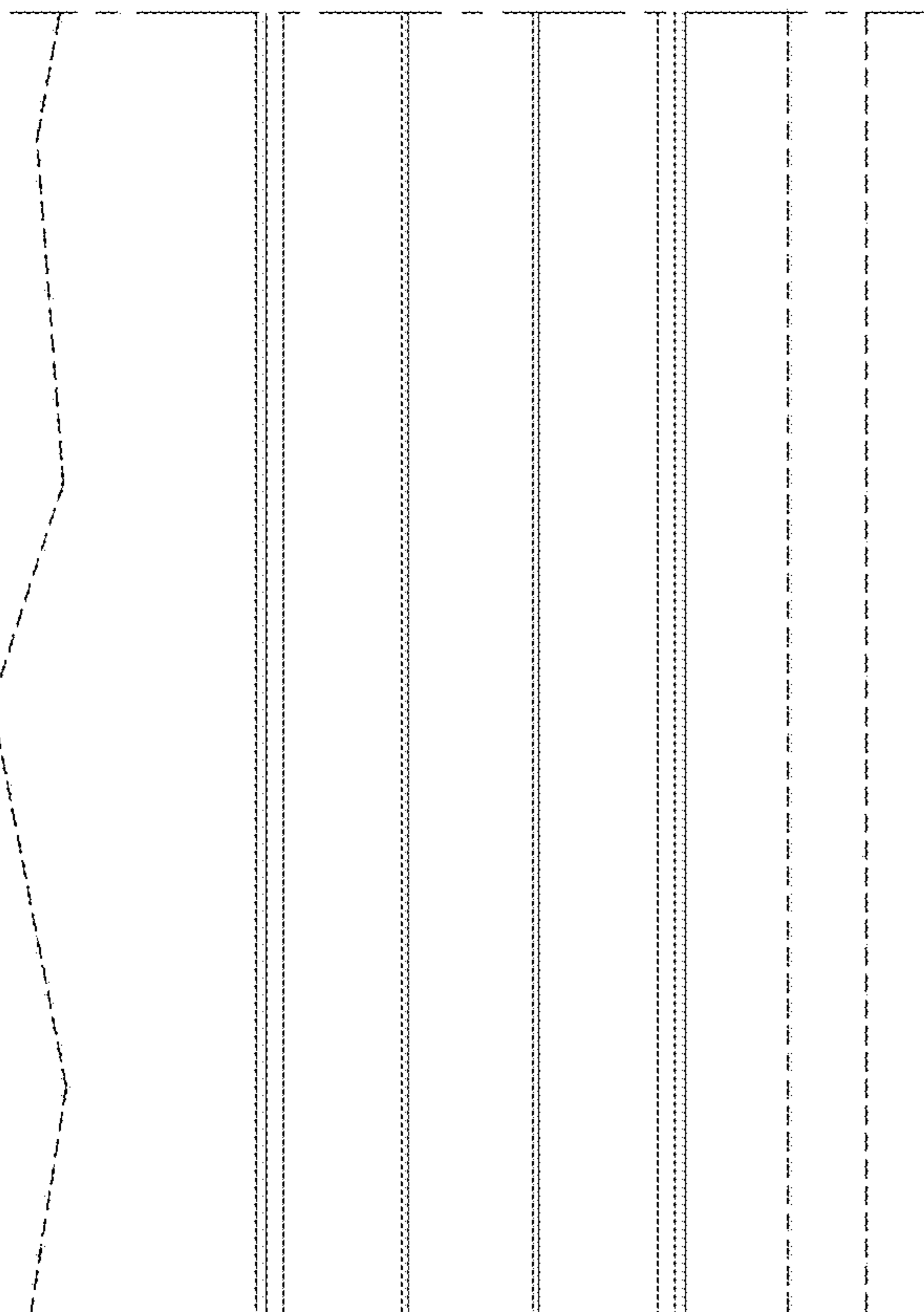
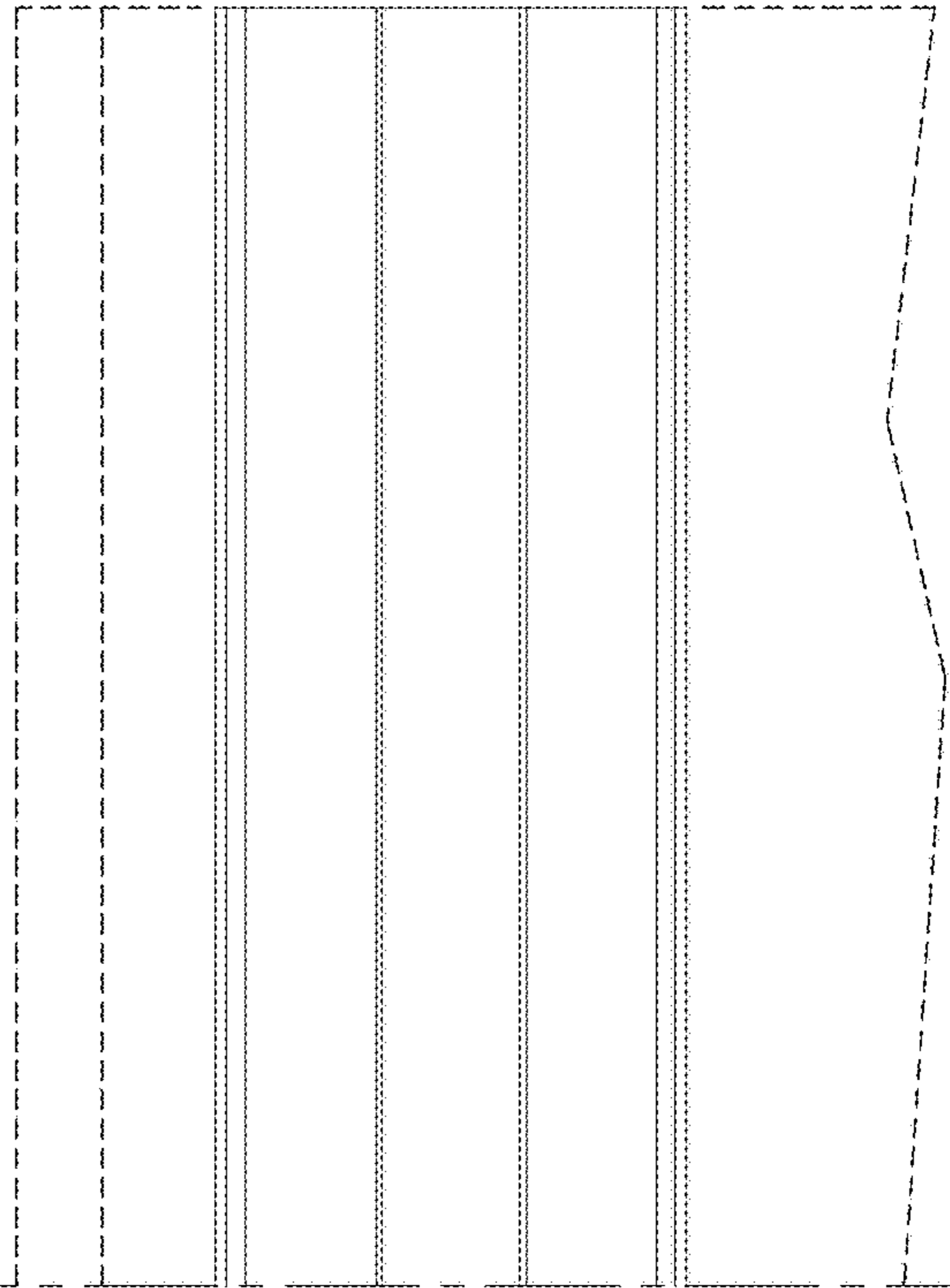


FIG. 6

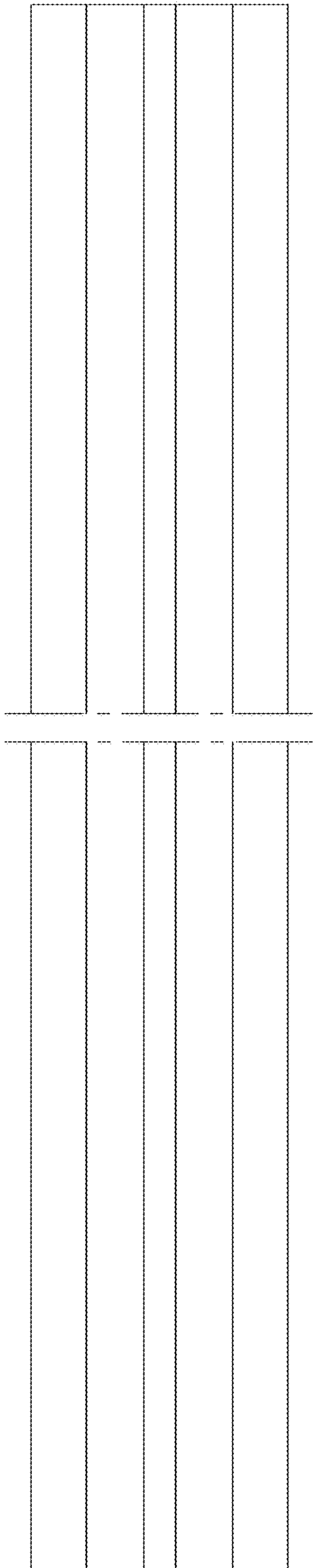


FIG. 7

