



US00D911144S

(12) **United States Design Patent** (10) **Patent No.:** **US D911,144 S**
Panosian et al. (45) **Date of Patent:** **** Feb. 23, 2021**

(54) **PLIERS** D577,981 S * 10/2008 Peterson D8/107
D618,980 S * 7/2010 Wang D8/107
(71) Applicant: **TOUGHBUILT INDUSTRIES, INC.,** D619,869 S * 7/2010 Garcia D8/107
Lake Forest, CA (US) D619,870 S * 7/2010 Garcia D8/107
D623,919 S * 9/2010 Chang D8/107
(72) Inventors: **Michael H. Panosian,** Irvine, CA (US); D680,398 S * 4/2013 Ritter D8/52
Joshua Keeler, Bradbury, CA (US) D730,707 S * 6/2015 Reedy D8/52
D762,434 S * 8/2016 Christopher D8/52
D766,689 S * 9/2016 Ritter D8/52
(73) Assignee: **TOUGHBUILT INDUSTRIES, INC.,** D830,797 S * 10/2018 Zhang D8/5
New York, NY (US) D861,455 S * 10/2019 Chang D8/107
2009/0049960 A1 * 2/2009 Heinsohn B25B 7/08
81/416
(**) Term: **15 Years** 2012/0055031 A1 * 3/2012 Latronico B25B 7/12
30/191

(21) Appl. No.: **29/692,072**

(22) Filed: **May 22, 2019**

(51) **LOC (13) Cl.** **08-05**

(52) **U.S. Cl.**
USPC **D8/107**

(58) **Field of Classification Search**
USPC D8/4, 14, 51, 52, 107, 300; D24/133;
D7/395
CPC B25G 1/10; B25G 1/02; B25B 7/00; B25B
7/08; B25B 7/10
See application file for complete search history.

(56) **References Cited**

U.S. PATENT DOCUMENTS

D262,090 S * 12/1981 Wahlberg D8/58
D281,452 S * 11/1985 Kurz D24/153
D299,108 S * 12/1988 Brdnik D8/107
D416,184 S * 11/1999 Gathmann D8/107
6,134,994 A * 10/2000 Gomas B25B 7/00
16/430
D464,544 S * 10/2002 Motley D8/14
D468,988 S * 1/2003 Goldmann, II D8/107
D494,040 S * 8/2004 Phillips D8/107
D532,267 S * 11/2006 Chen D8/52
D577,563 S * 9/2008 Chen D8/107

* cited by examiner

Primary Examiner — Philip S Hyder
(74) *Attorney, Agent, or Firm* — Nolte Lackenbach
Siegel; Myron Greenspan

(57) **CLAIM**

The ornamental design for a pliers, as shown and described.

DESCRIPTION

FIG. 1 is a bottom-right perspective view of the pliers showing our new design;
FIG. 2 is a top-right perspective view thereof;
FIG. 3 is a front elevational view thereof;
FIG. 4 is a rear elevational view thereof;
FIG. 5 is a right elevational view thereof;
FIG. 6 is a left elevational view thereof;
FIG. 7 is a top plan view thereof; and,
FIG. 8 is a bottom plan view thereof.
The broken lines depict portions of the pliers in which the design is embodied that are not considered part of the claimed design.

1 Claim, 6 Drawing Sheets



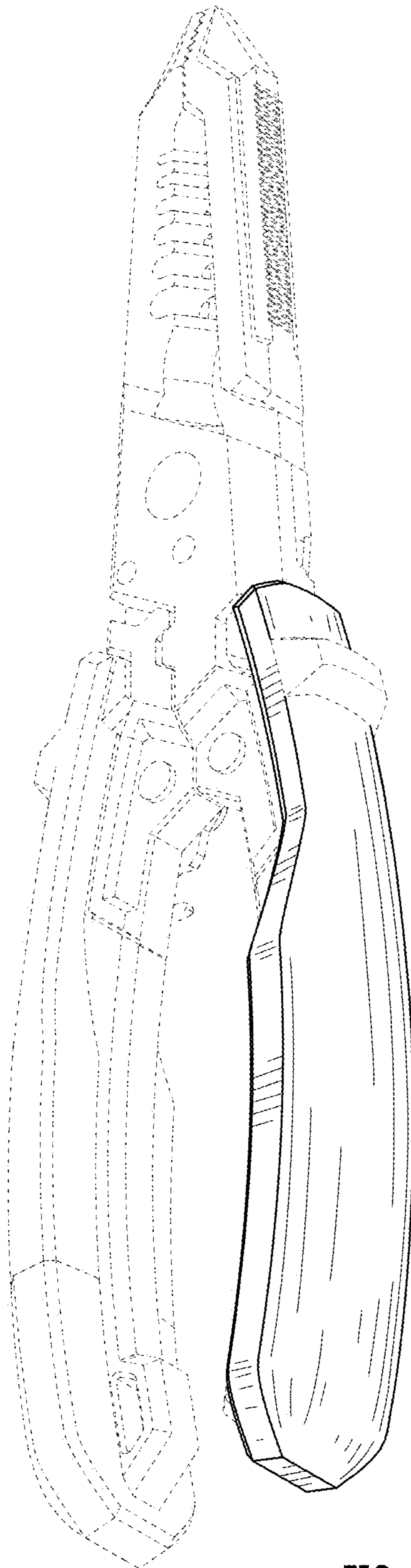


FIG. 1

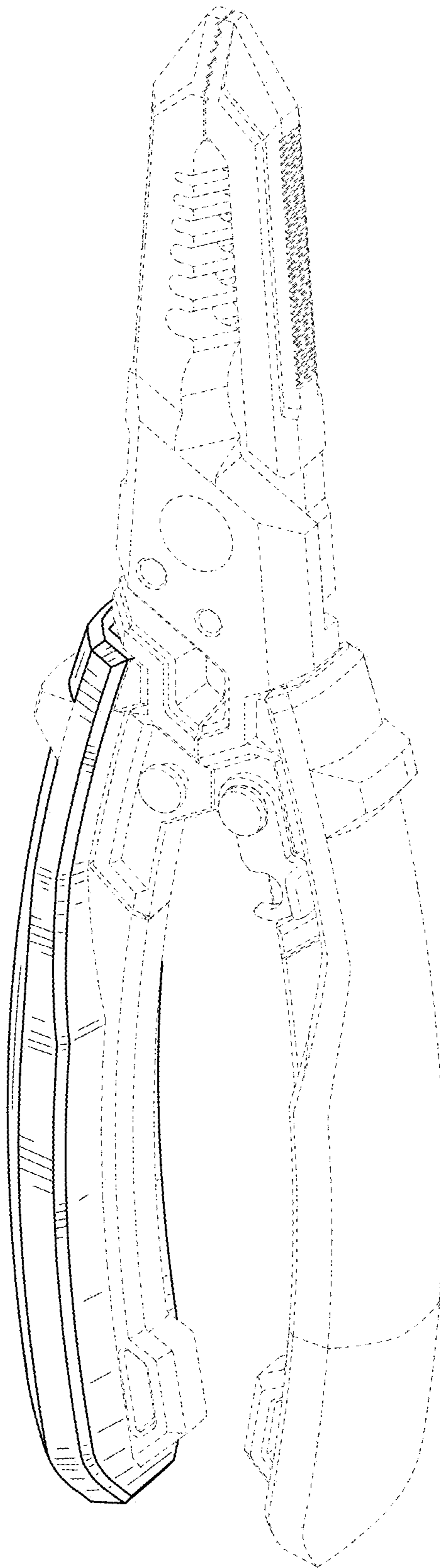


FIG. 2

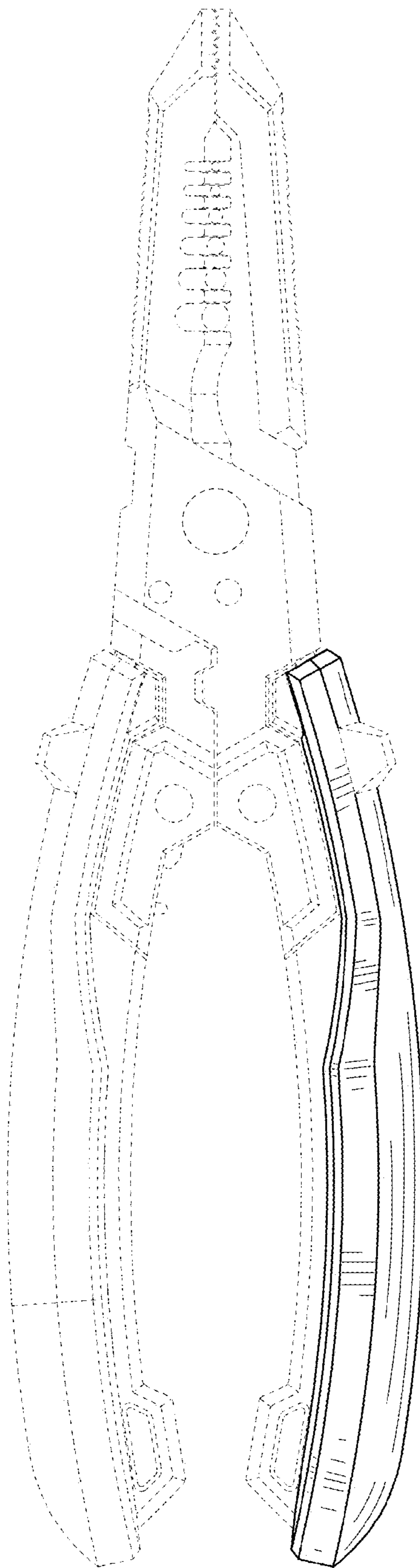


FIG. 3

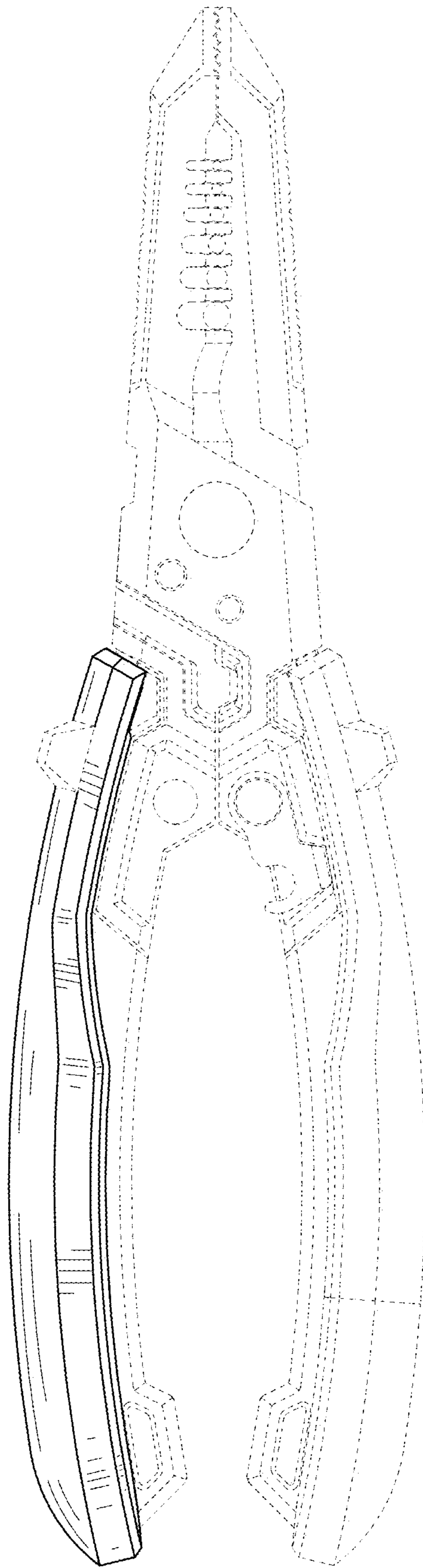


FIG. 4

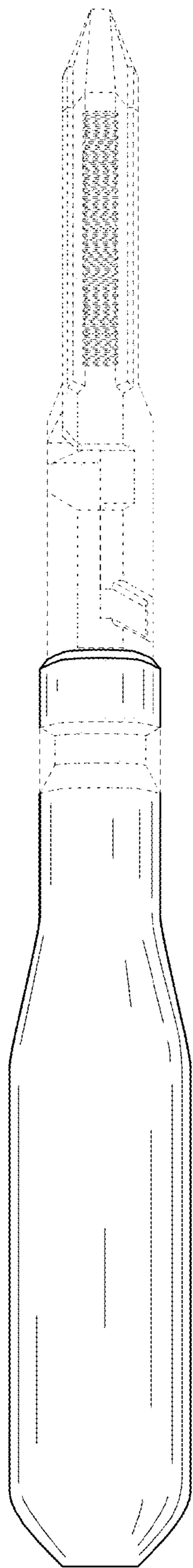


FIG. 5

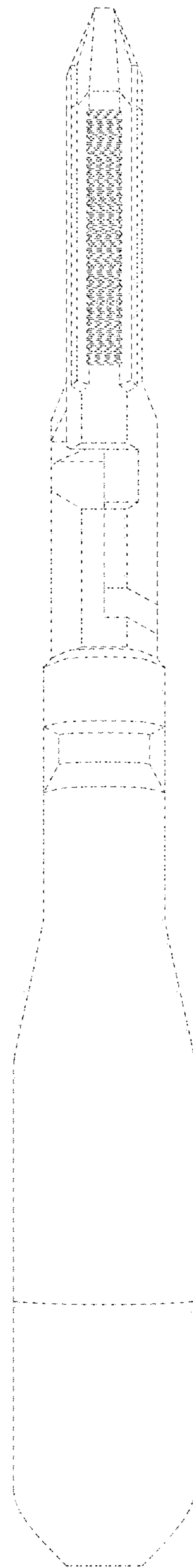


FIG. 6

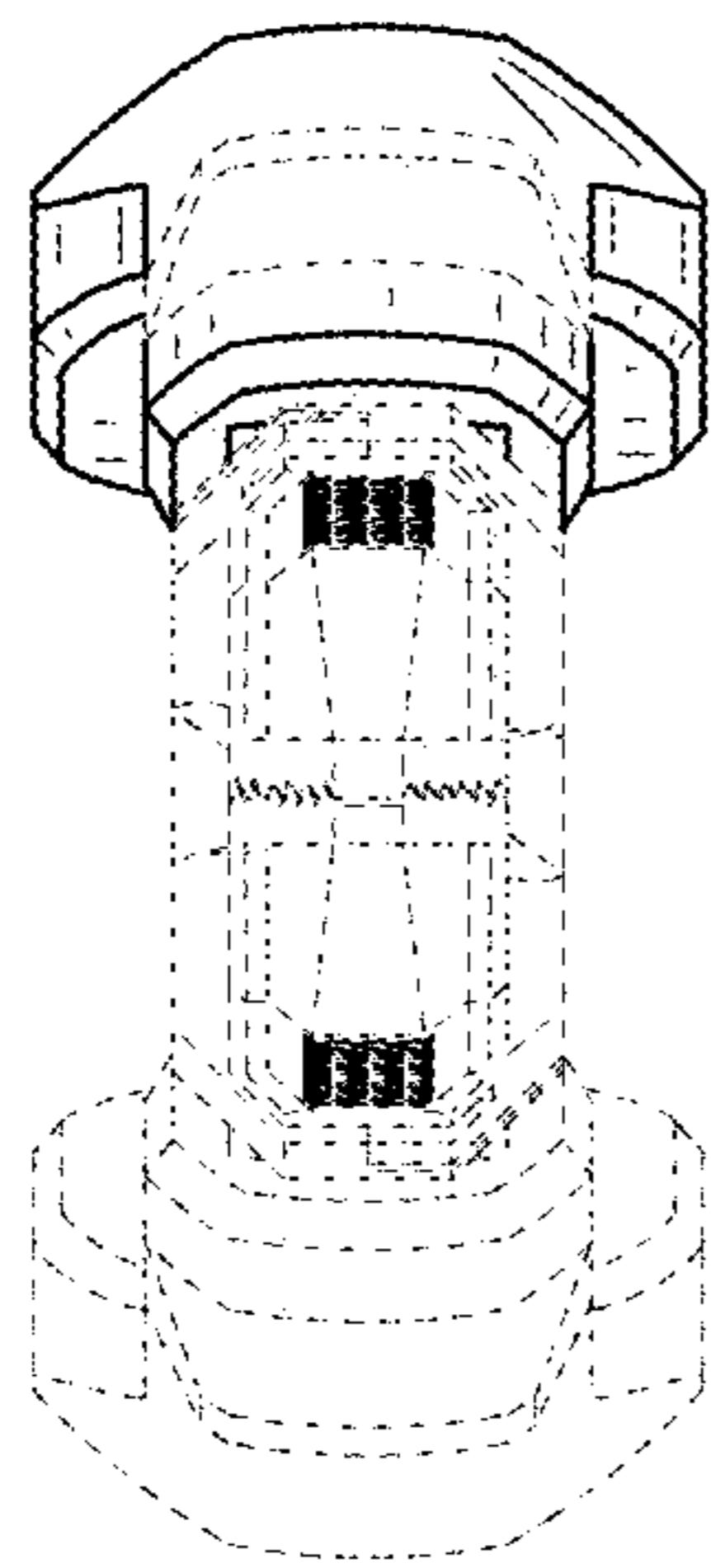


FIG. 7

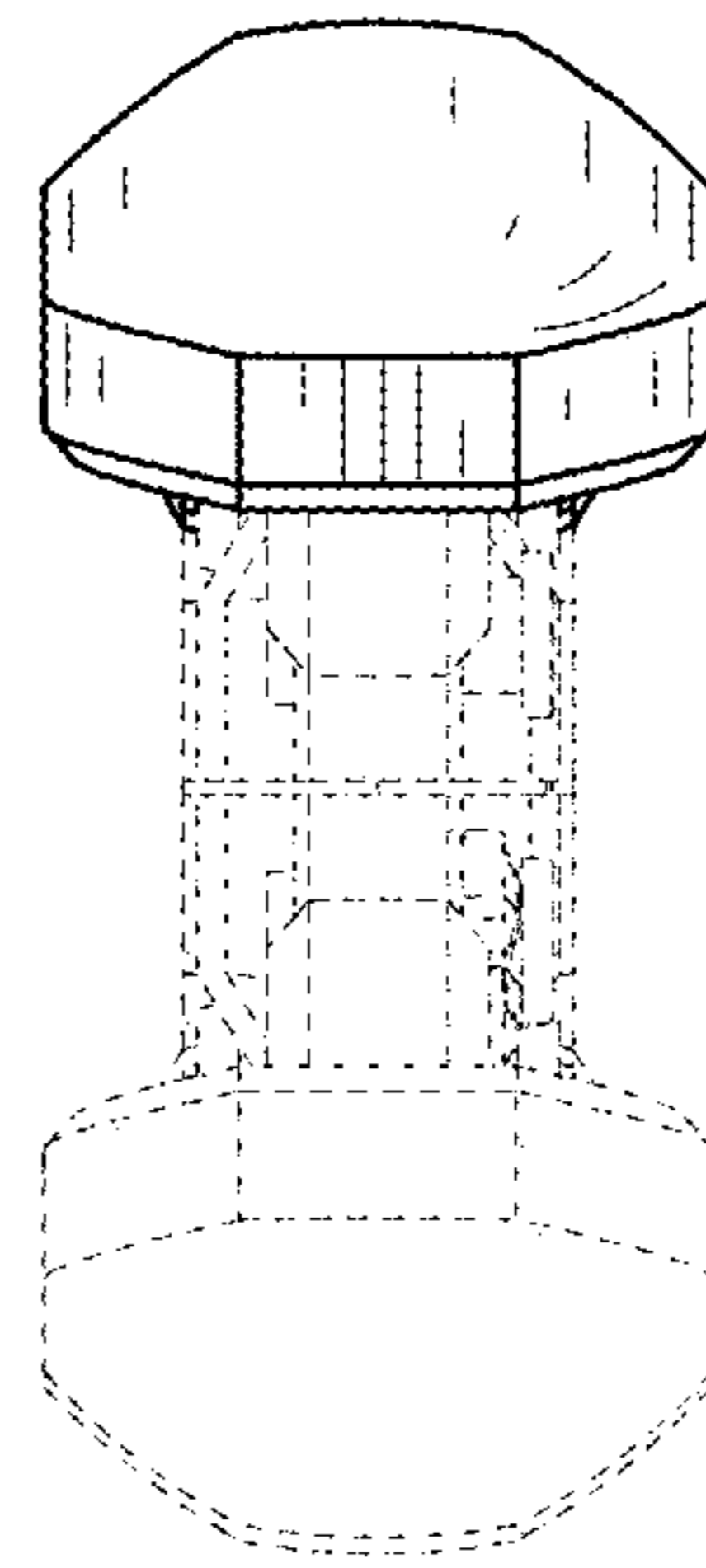


FIG. 8