



US00D911142S

(12) **United States Design Patent**
Baker et al.

(10) **Patent No.:** **US D911,142 S**
(45) **Date of Patent:** **** Feb. 23, 2021**

(54) **FOLDABLE TOOL SHARPENER**

(71) Applicant: **Darex, LLC**, Ashland, OR (US)

(72) Inventors: **Steven Lee Baker**, Medford, OR (US);
Joseph Todd Zachariasen, Medford,
OR (US); **Ryan Lee Dickman**, Sandy,
OR (US)

(73) Assignee: **Darex, LLC**, Ashland, OR (US)

(**) Term: **15 Years**

(21) Appl. No.: **29/702,367**

(22) Filed: **Aug. 19, 2019**

(51) **LOC (13) Cl.** **08-05**

(52) **U.S. Cl.**
USPC **D8/93**

(58) **Field of Classification Search**
USPC D8/63, 90, 91, 92, 93, 105
CPC B24B 3/54; B24B 3/36; B24B 3/58; B24B
3/00; B24B 23/08; B24B 15/00; B24B
15/06; B24B 15/063; B24B 15/08; B25F
1/00; B25F 1/04

See application file for complete search history.

(56) **References Cited**

U.S. PATENT DOCUMENTS

3,942,394	A *	3/1976	Juranitch	B24D 15/06 76/84
4,259,815	A *	4/1981	Kuban	B24D 15/08 451/552
4,640,058	A *	2/1987	Glesser	B24D 15/06 451/540
4,719,722	A *	1/1988	Washburn	B24D 15/08 451/557
6,168,509	B1 *	1/2001	Presgrove	B24D 15/08 451/371

(Continued)

Primary Examiner — Philip S Hyder

(74) *Attorney, Agent, or Firm* — Hall Estill Attorneys at Law

(57) **CLAIM**

The ornamental design for a foldable tool sharpener, as shown and described.

DESCRIPTION

FIG. 1 shows an isometric view of the design in a folded position.

FIG. 2 shows a front view of the design in a folded position.

FIG. 3 shows a rear view of the design in a folded position.

FIG. 4 shows a left view of the design in a folded position.

FIG. 5 shows a right view of the design in a folded position.

FIG. 6 shows a top plan view of the design in a folded position.

FIG. 7 shows a bottom plan view of the design in a folded position.

FIG. 8 shows an isometric view of the design in an unfolded position.

FIG. 9 shows a front view of the design in an unfolded position.

FIG. 10 shows a rear view of the design in an unfolded position.

FIG. 11 shows a right view of the design in an unfolded position.

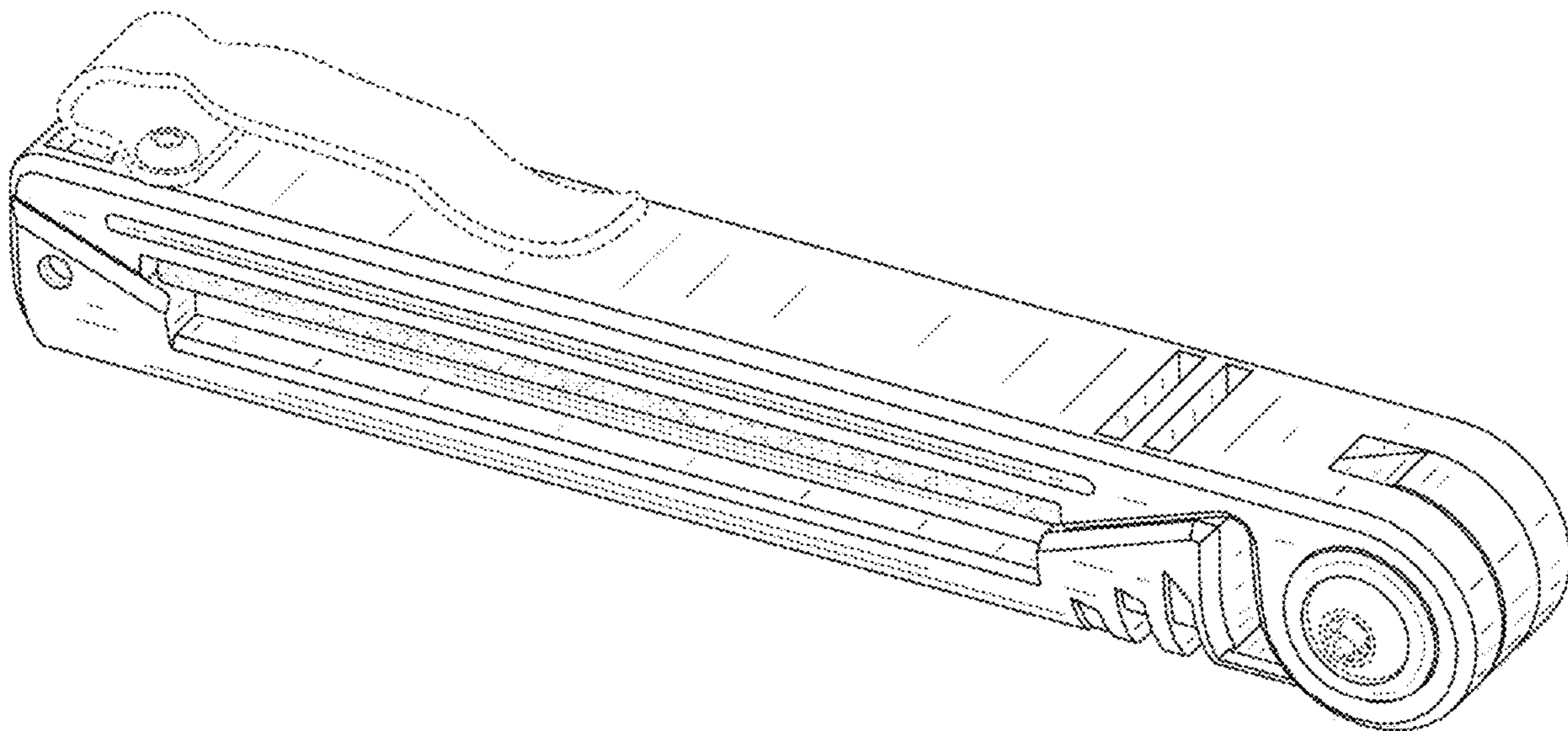
FIG. 12 shows a left view of the design in an unfolded position.

FIG. 13 shows a bottom plan view of the design in an unfolded position; and,

FIG. 14 shows a top plan view of the design in an unfolded position.

The broken lines depict portions of the foldable tool sharpener in which the design is embodied that are not considered part of the claimed design.

1 Claim, 9 Drawing Sheets



(56)

References Cited

U.S. PATENT DOCUMENTS

8,221,199	B2 *	7/2012	Smith	B24B 3/54
					451/552
D731,278	S *	6/2015	Cavanaugh	D8/93
D811,846	S *	3/2018	Johnson	D8/93
D850,232	S *	6/2019	Watson	D8/93
D854,392	S *	7/2019	Watson	D8/93
D866,284	S *	11/2019	Constantine	D8/93

* cited by examiner

FIG. 1

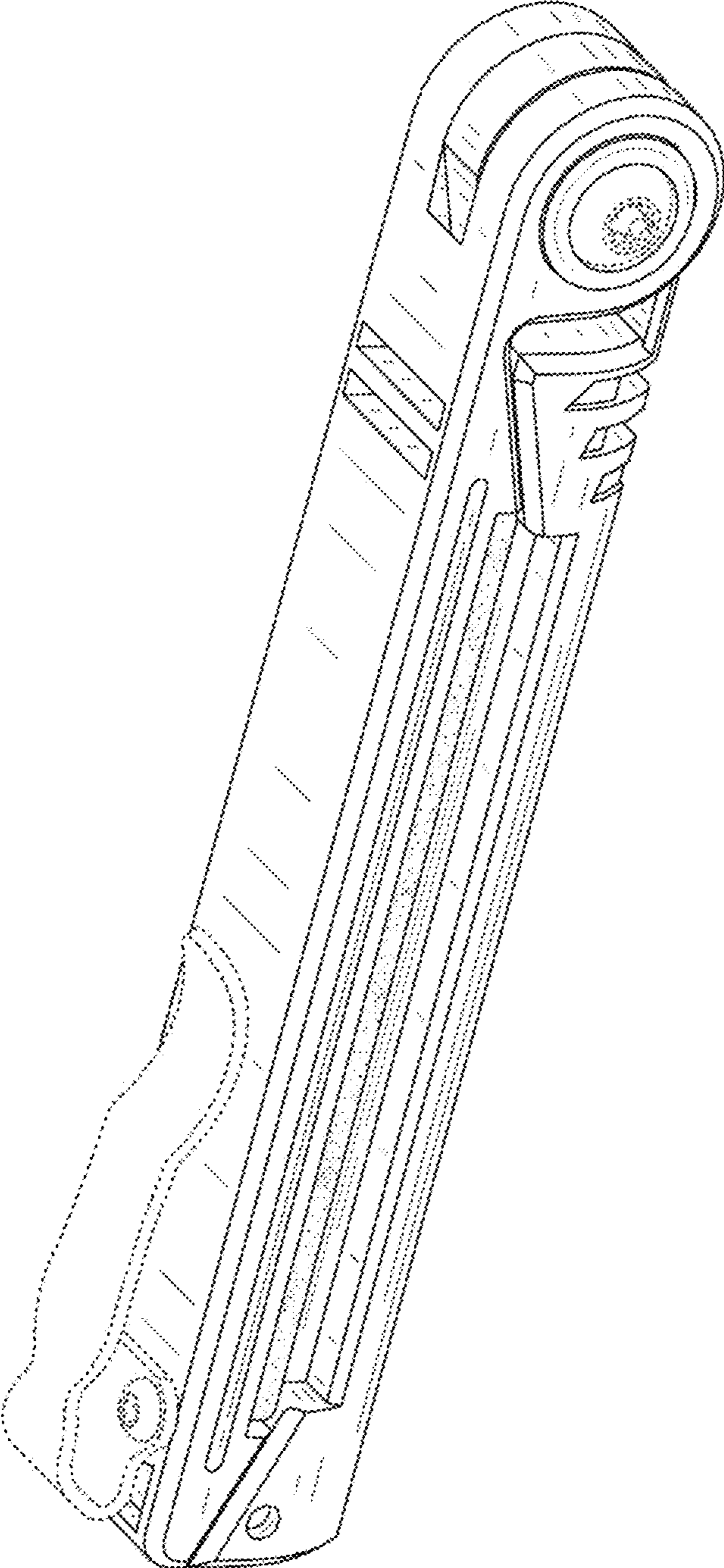


FIG. 3

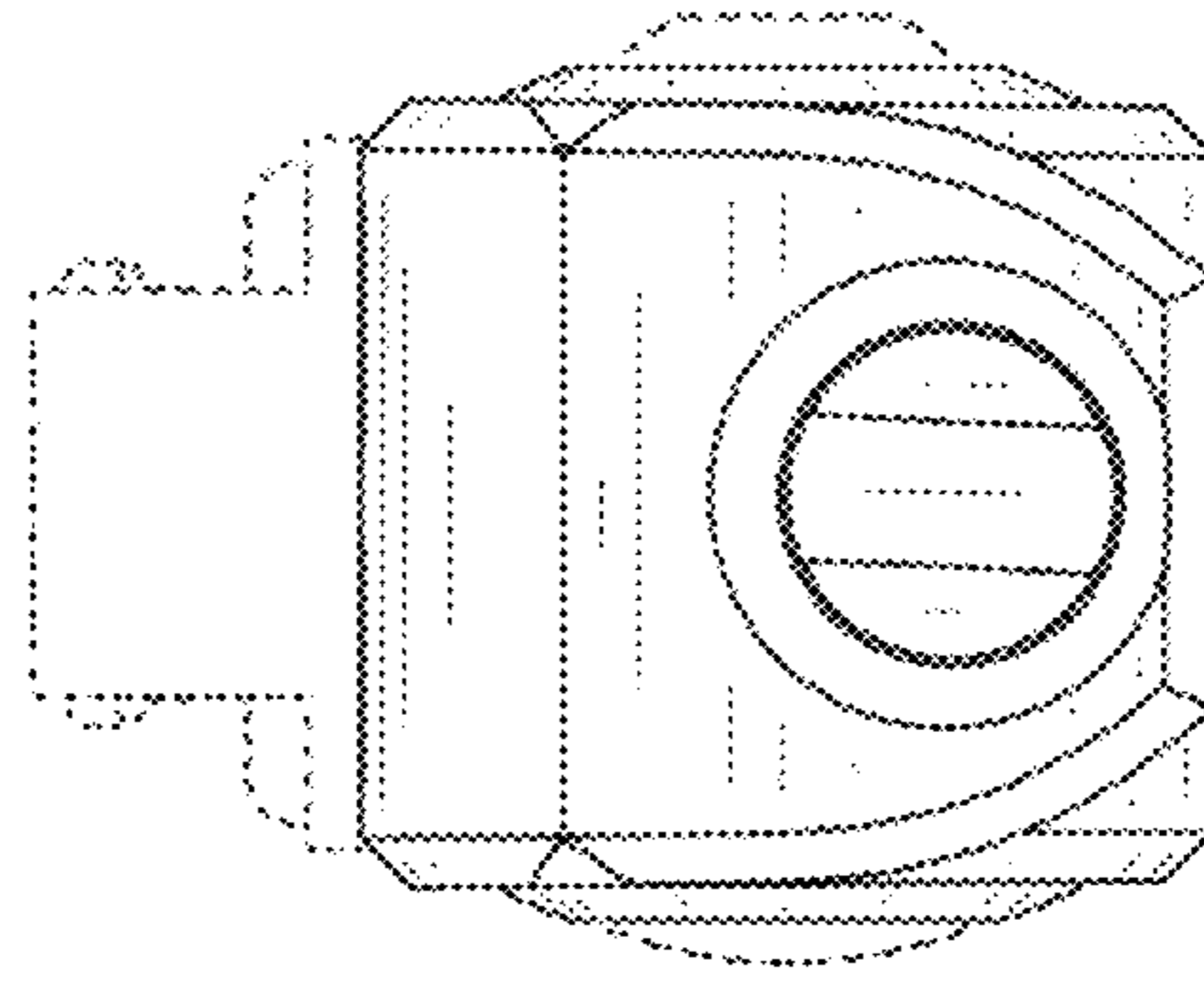


FIG. 2

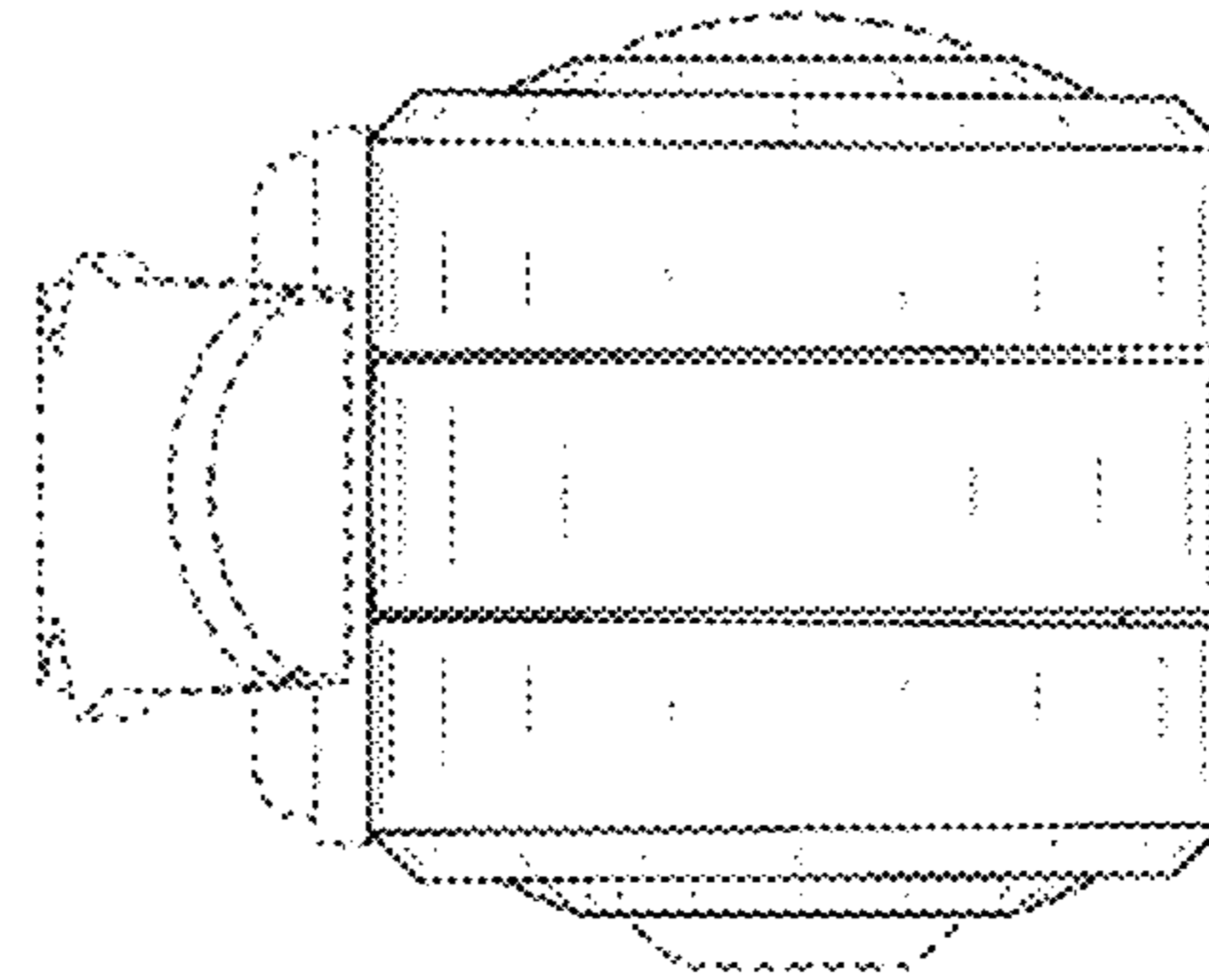


FIG. 4

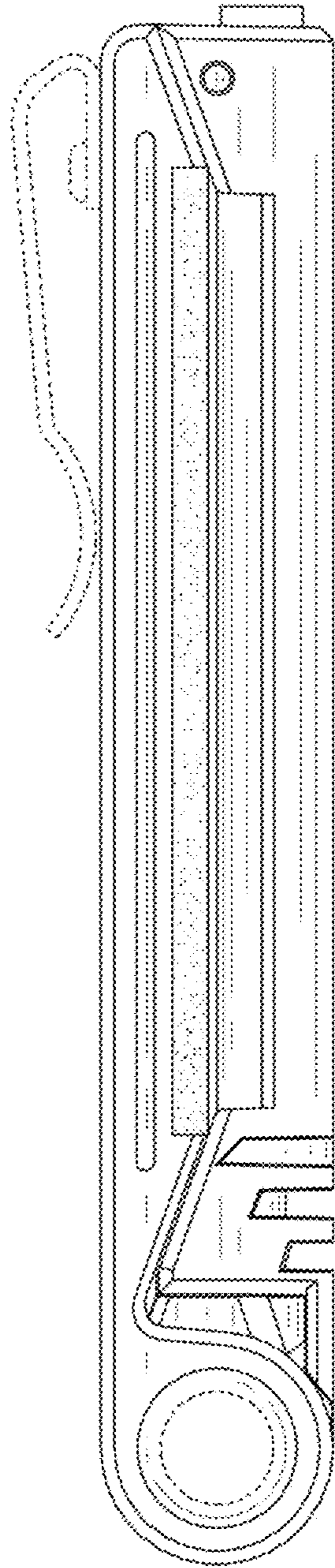


FIG. 5

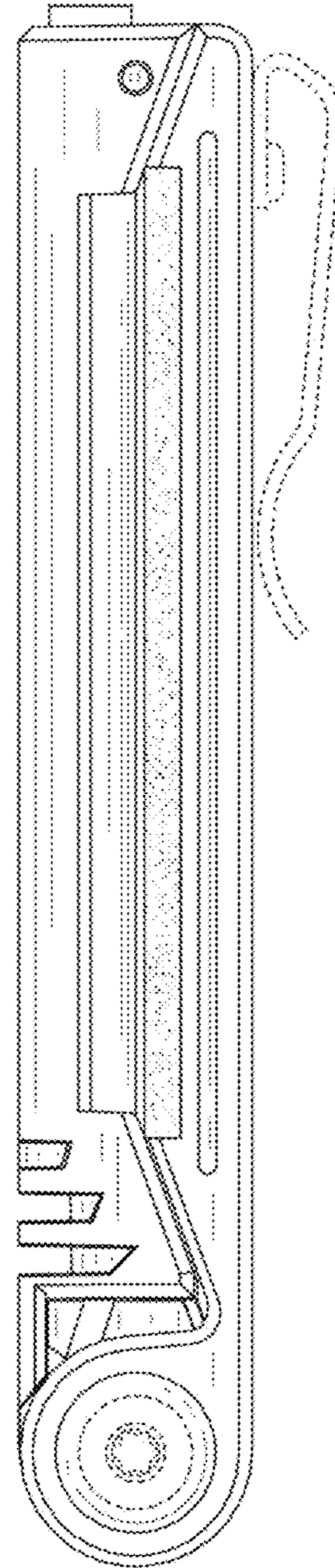


FIG. 6

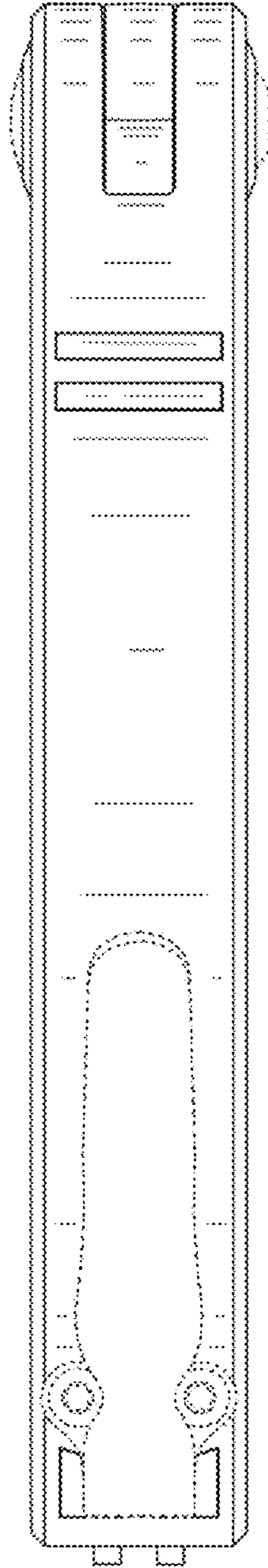


FIG. 7

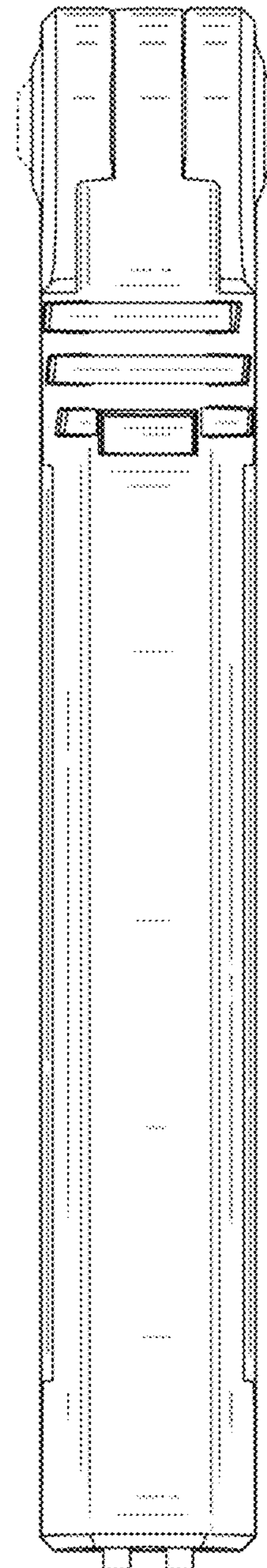


FIG. 8

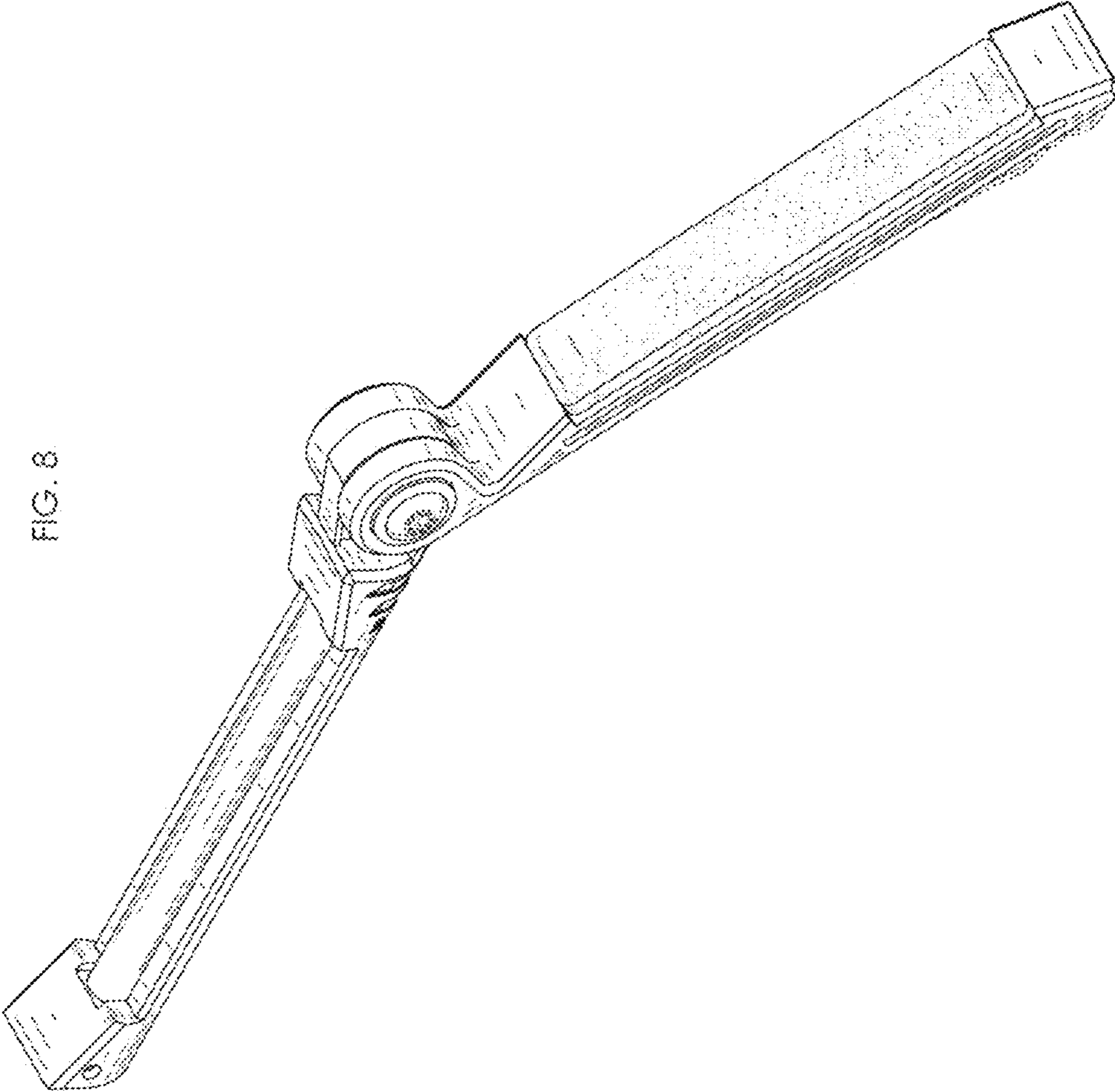


FIG. 10

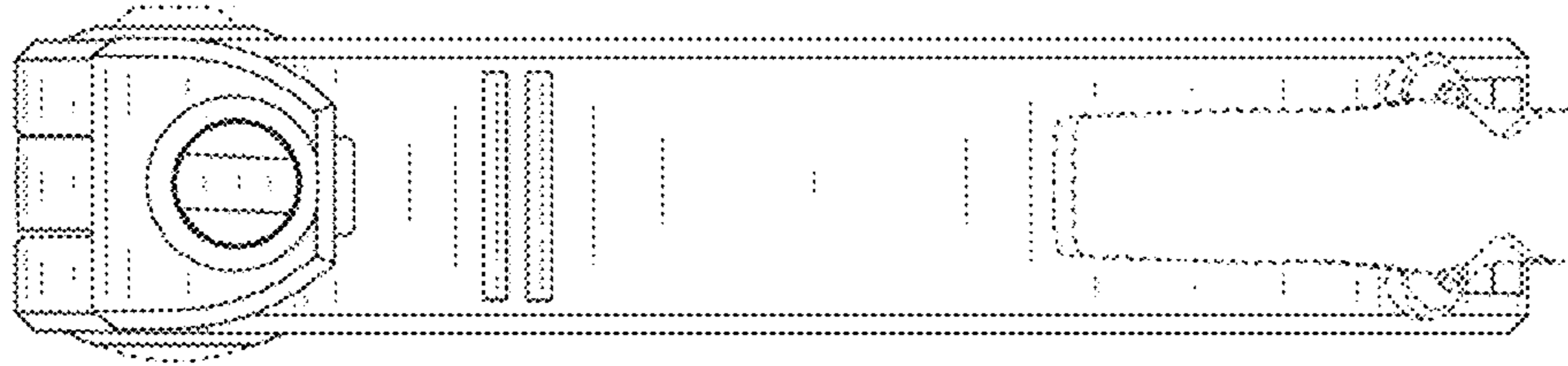


FIG. 9

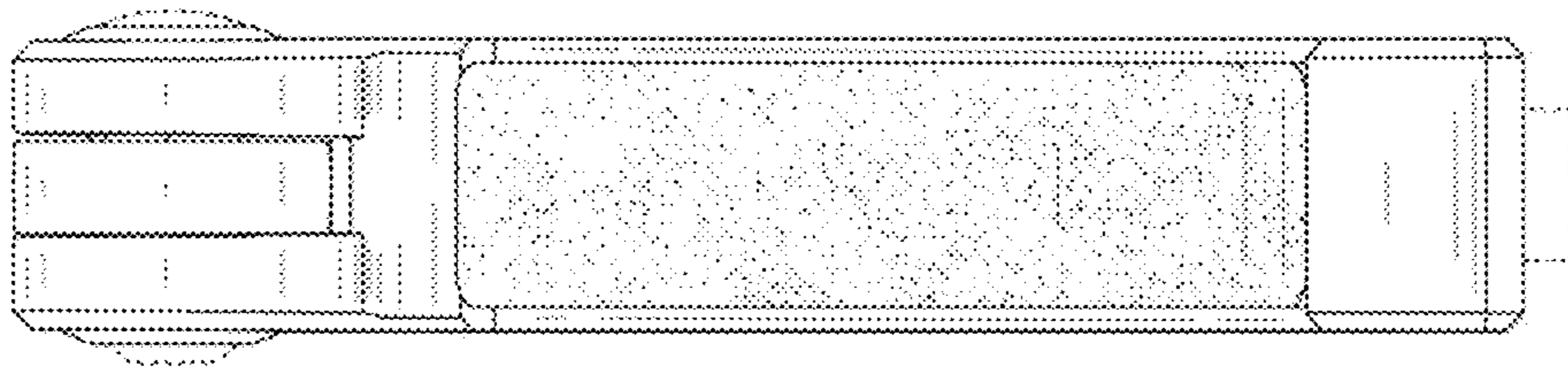


FIG. 11

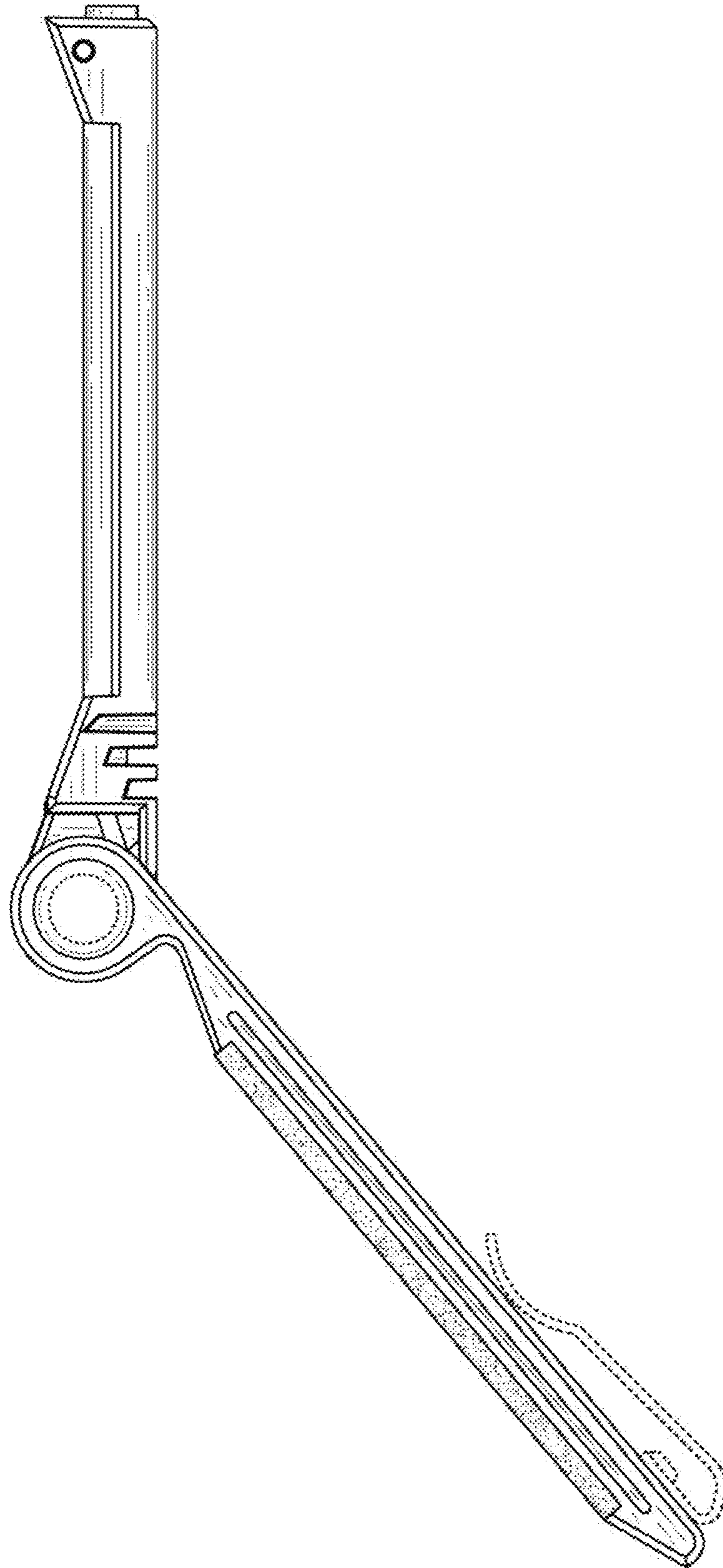


FIG. 12

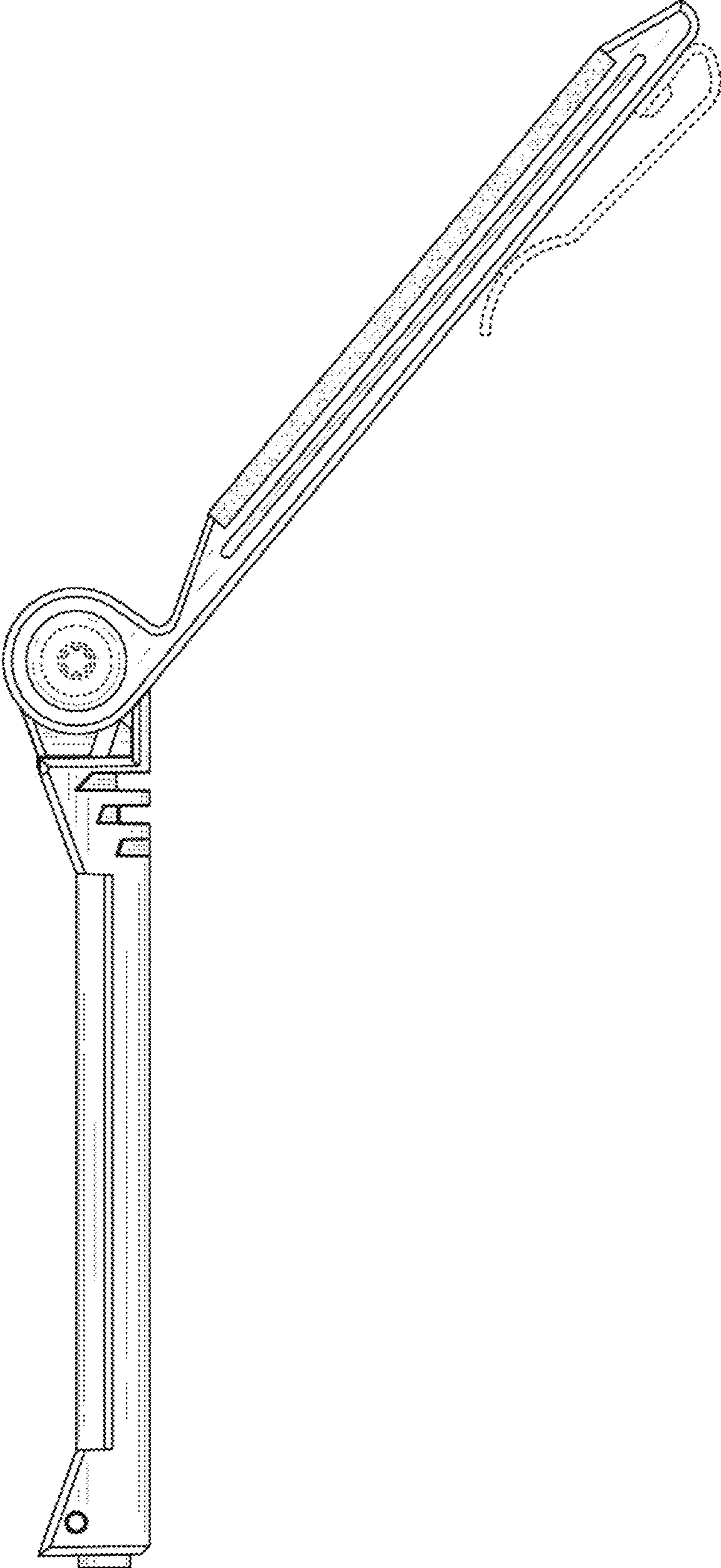


FIG.13

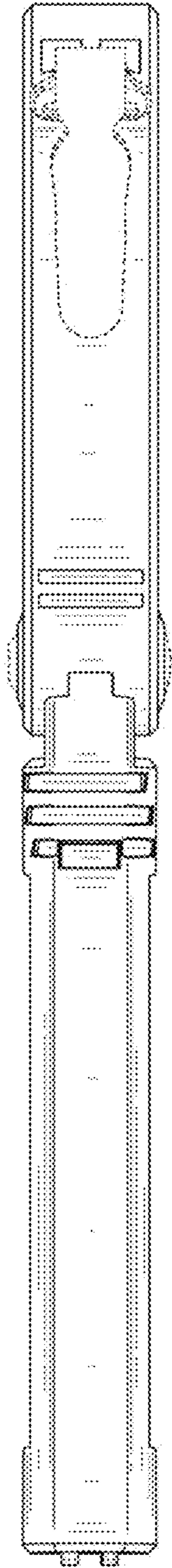


FIG.14

