



US00D911141S

(12) **United States Design Patent** (10) **Patent No.:** **US D911,141 S**
Panosian et al. (45) **Date of Patent:** **** Feb. 23, 2021**

(54) **SCREWDRIVER** D642,887 S * 8/2011 Good D8/83
D671,813 S * 12/2012 Lin D8/83
(71) Applicant: **TOUGHBUILT INDUSTRIES, INC.,** D694,608 S * 12/2013 Nelson D8/83
Lake Forest, CA (US) D707,527 S * 6/2014 Hsieh B25G 1/005
D8/107
(72) Inventors: **Michael H. Panosian,** Irvine, CA (US); D830,151 S * 10/2018 Weinberg D8/107
Joshua Keeler, Lake Forest, CA (US) D840,207 S * 2/2019 Sun D8/107
D855,433 S * 8/2019 Hyma D8/83
D859,119 S * 9/2019 Hyma D8/83
(73) Assignee: **TOUGHBUILT INDUSTRIES, INC.,** D867,845 S * 11/2019 Hsu D8/83
Lake Forest, CA (US) D889,234 S * 7/2020 Johnson D8/83
2016/0052124 A1 * 2/2016 Lai B25G 1/085
81/438
(**) Term: **15 Years** 2016/0094019 A1 * 3/2016 Chen H02G 1/1214
7/108
(21) Appl. No.: **29/705,793** 2017/0100832 A1 * 4/2017 Snook B25G 1/085
* cited by examiner
(22) Filed: **Sep. 16, 2019**
(51) **LOC (13) Cl.** **08-04** *Primary Examiner* — Philip S Hyder
(52) **U.S. Cl.** *(74) Attorney, Agent, or Firm* — Nolte Lackenbach
USPC **D8/83** Siegel; Myron Greenspan
(58) **Field of Classification Search**
USPC D8/14, 21, 82, 83, 84, 85, 107; D24/133,
D24/146; D7/395; D32/49
CPC A47J 43/26; B25B 13/463; B25B 13/468;
B25B 15/04; B25G 1/005; B25G 1/085
See application file for complete search history.

(56) **References Cited**

U.S. PATENT DOCUMENTS

D383,660 S * 9/1997 Anderson D8/107
D384,263 S * 9/1997 Lin D8/107
D408,253 S * 4/1999 Rowlay D8/107
5,943,921 A * 8/1999 Lin B25G 1/066
192/44
D454,770 S * 3/2002 Chang D8/107
D455,944 S * 4/2002 Chen D8/107
D487,690 S * 3/2004 Hu D8/83
D525,850 S * 8/2006 Huang D8/83
D531,005 S * 10/2006 Chang D8/107
D551,530 S * 9/2007 Hirsch D8/107
D572,105 S * 7/2008 Brockman D8/83

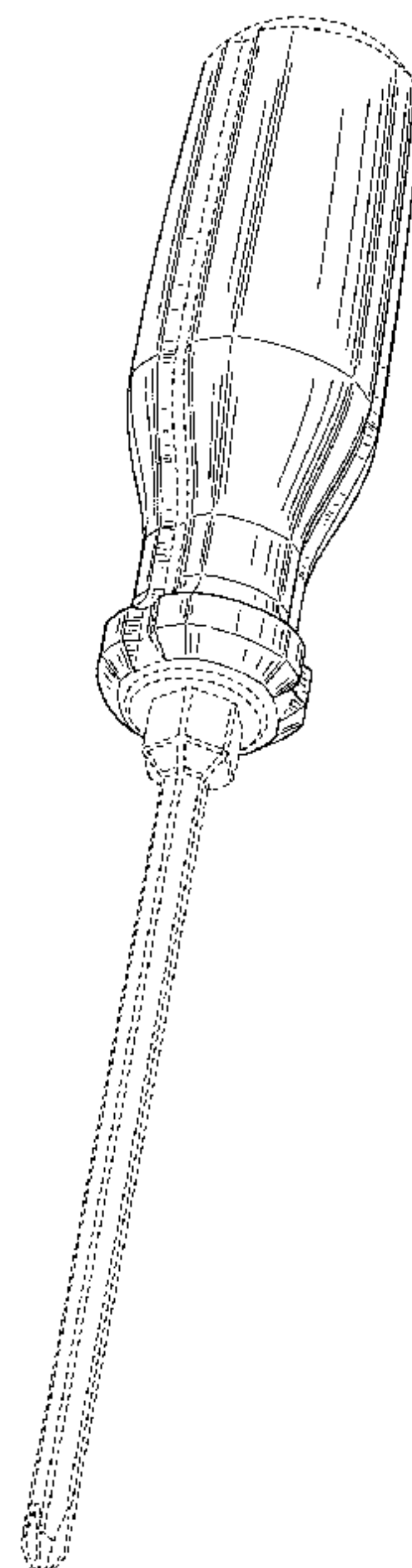
(57) **CLAIM**

The ornamental design for a screwdriver, as shown and described.

DESCRIPTION

FIG. 1 is a front-lower perspective view of the screwdriver showing our new design;
FIG. 2 is a front elevational view thereof;
FIG. 3 is a rear elevational view thereof;
FIG. 4 is a right side elevational view thereof;
FIG. 5 is a left side elevational view thereof;
FIG. 6 is a top plan view thereof; and,
FIG. 7 is a bottom plan view thereof.
The broken lines depict portions of the screwdriver in which the design is embodied that are not considered part of the claimed design.

1 Claim, 4 Drawing Sheets



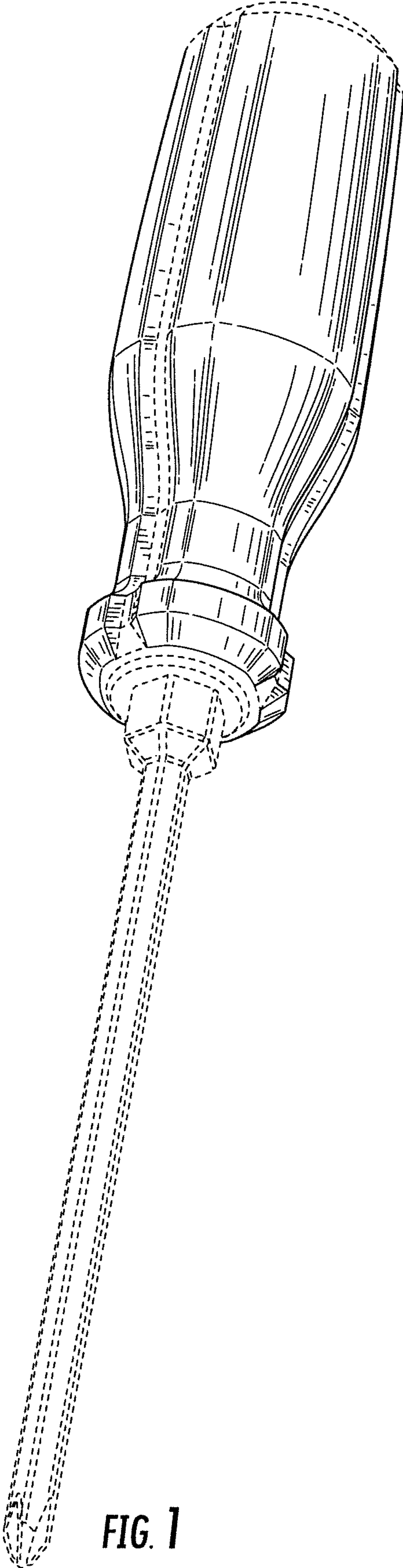


FIG. 1

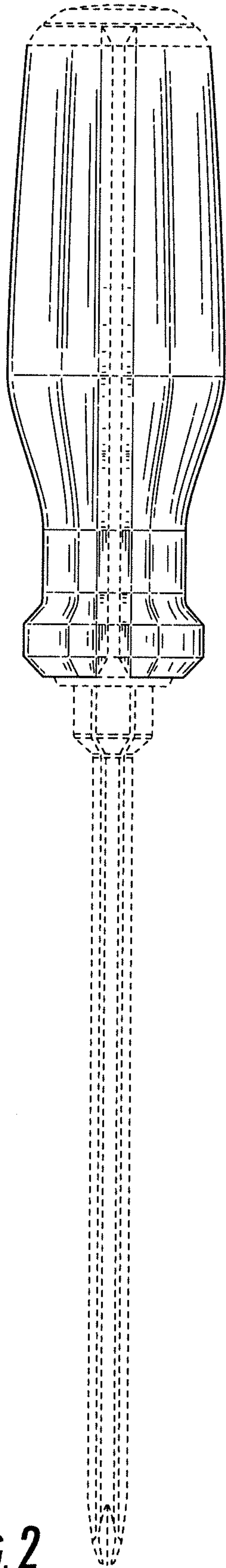


FIG. 2

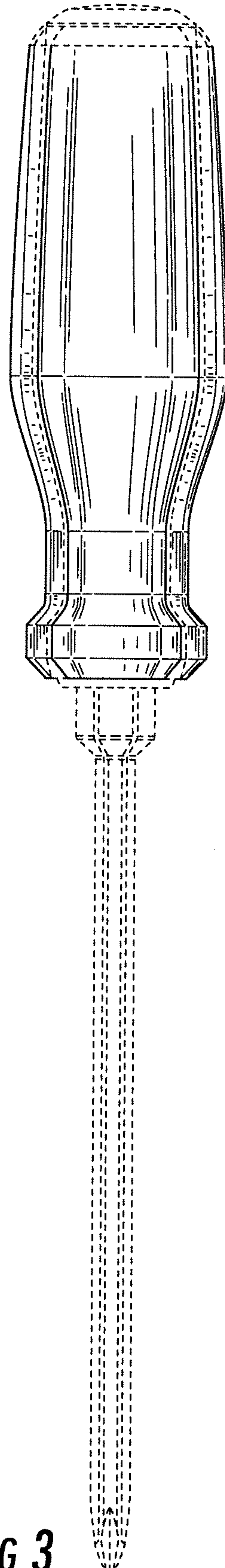


FIG. 3

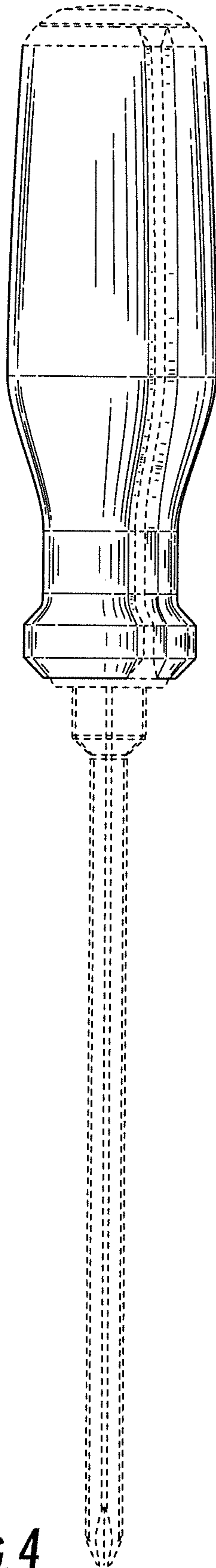


FIG. 4

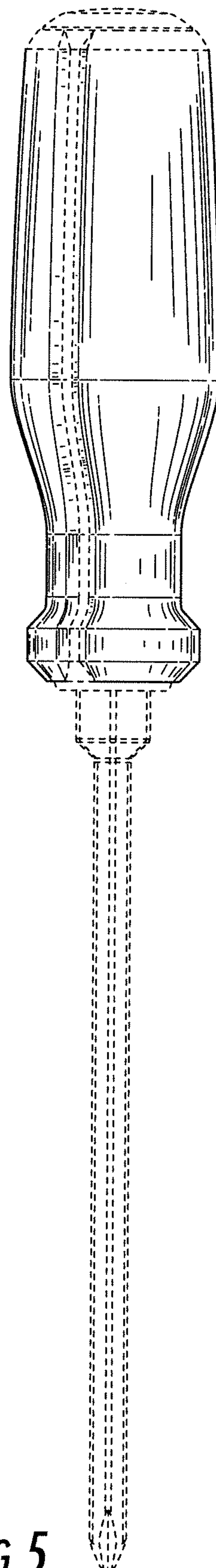


FIG. 5

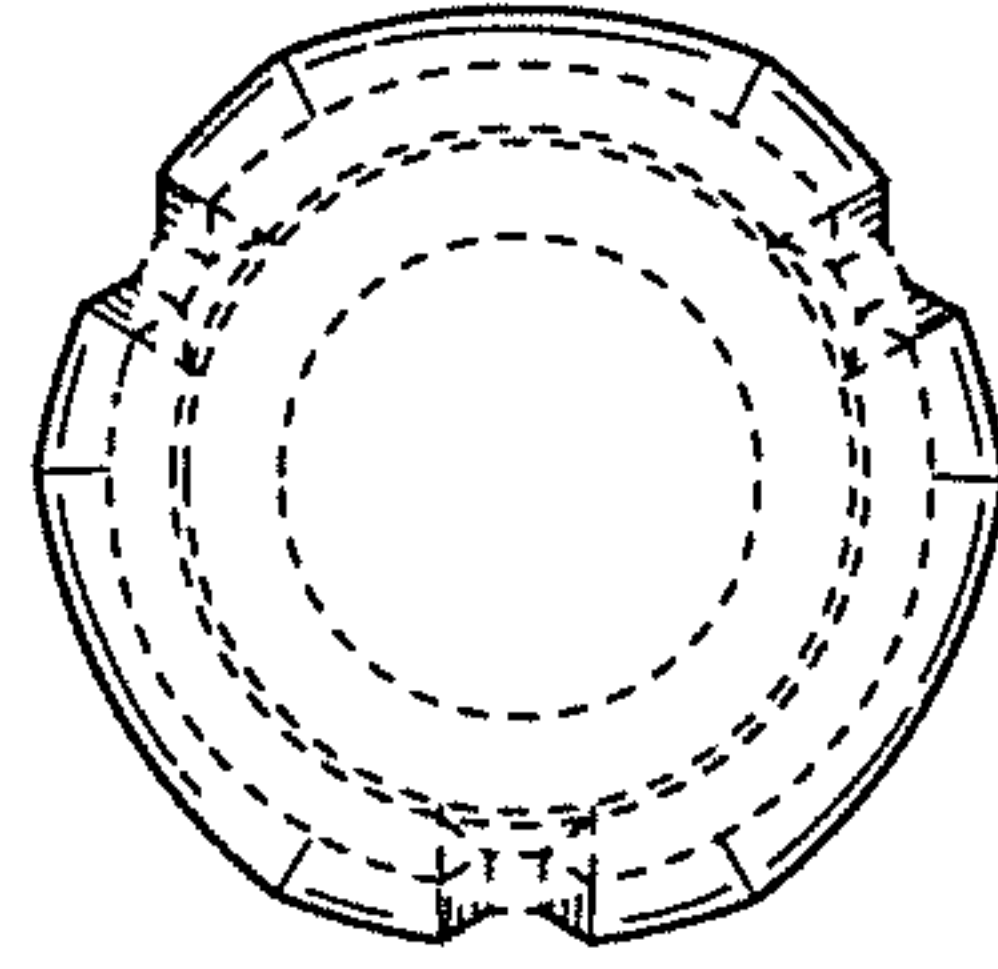


FIG. 6

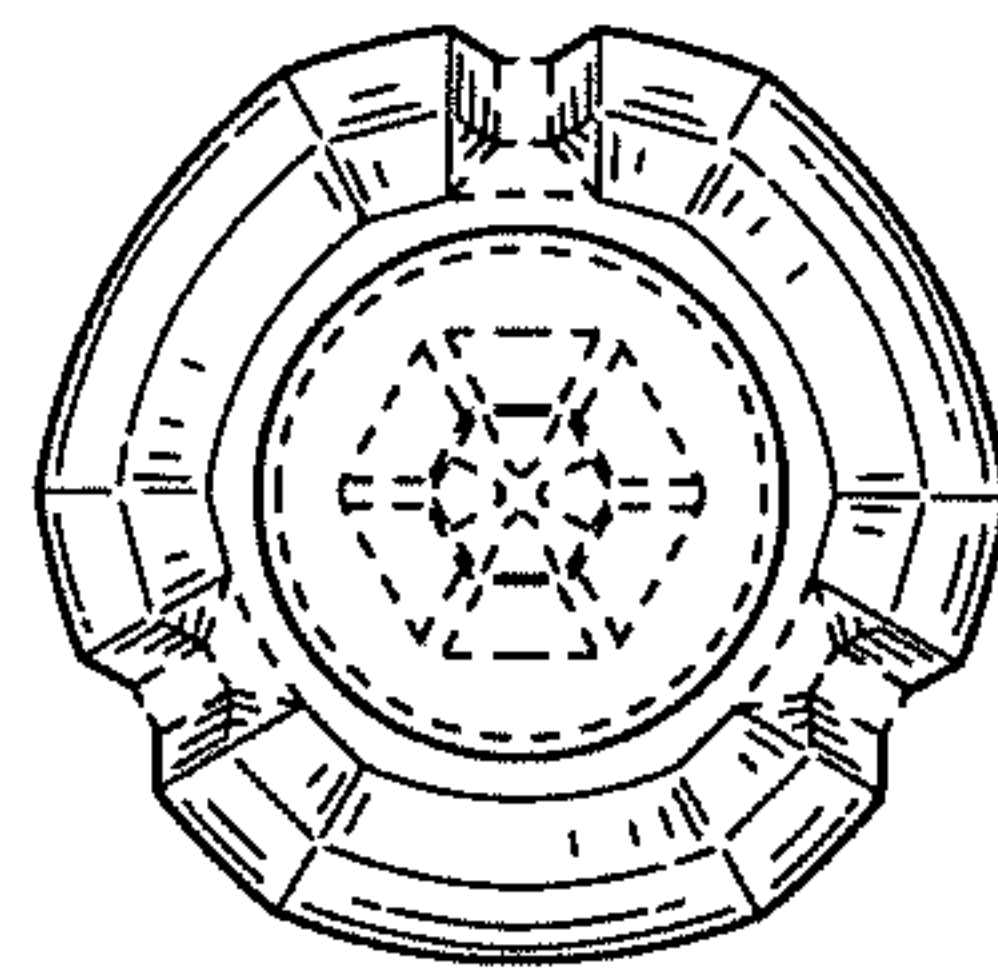


FIG. 7