



US00D911140S

(12) **United States Design Patent** (10) **Patent No.:** **US D911,140 S**  
**Hyma et al.** (45) **Date of Patent:** **\*\* Feb. 23, 2021**

- (54) **SCREWDRIVER**
- (71) Applicant: **Milwaukee Electric Tool Corporation**,  
Brookfield, WI (US)
- (72) Inventors: **Steven W. Hyma**, Milwaukee, WI  
(US); **Joseph M. DeBaker**, Greenfield,  
WI (US); **Kyle C. Anderson**,  
Milwaukee, WI (US); **Aaron S.**  
**Blumenthal**, Wauwatosa, WI (US);  
**Mark W. Cors**, St. Francis, WI (US);  
**Christopher S. Hoppe**, Milwaukee, WI  
(US)
- (73) Assignee: **Milwaukee Electric Tool Corporation**,  
Brookfield, WI (US)
- (\*\*) Term: **15 Years**
- (21) Appl. No.: **29/693,863**
- (22) Filed: **Jun. 5, 2019**

**Related U.S. Application Data**

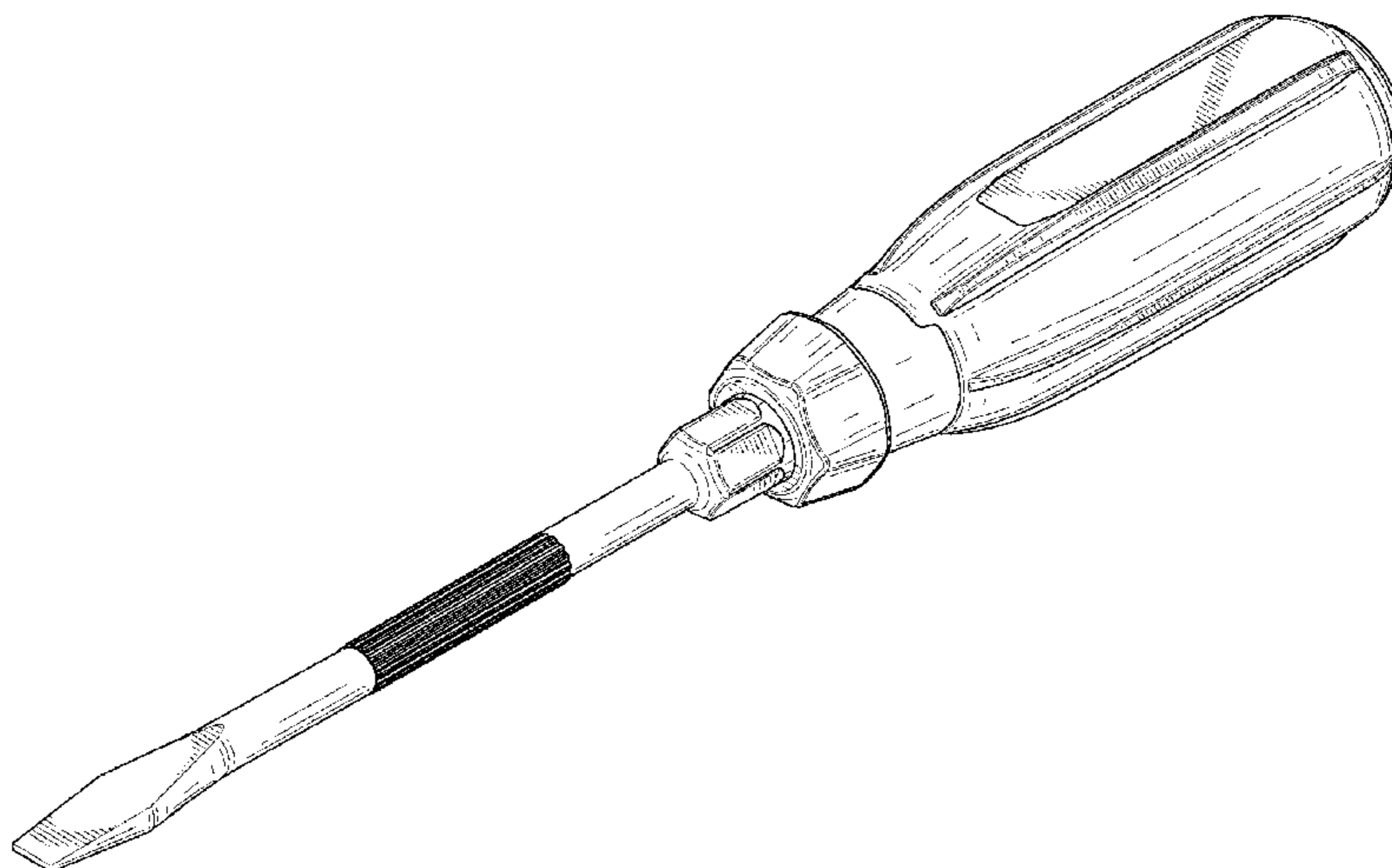
- (62) Division of application No. 29/613,327, filed on Aug.  
9, 2017, now Pat. No. Des. 855,433.
- (51) **LOC (13) Cl.** ..... **08-04**
- (52) **U.S. Cl.**  
USPC ..... **D8/82**
- (58) **Field of Classification Search**  
USPC ..... D8/82, 83, 84, 85, 86, 87, 107, 303;  
D7/395; D4/138; D24/133  
CPC ..... B25B 15/00; B25B 15/001; B25B 15/02;  
B25B 15/04; B25B 1/063; B25G 1/005  
See application file for complete search history.

**References Cited**

**U.S. PATENT DOCUMENTS**

- 1,541,078 A 6/1925 Sudweeks  
1,738,405 A 12/1929 Thal  
1,741,349 A 12/1929 Sullivan  
1,782,981 A 11/1930 Anderson  
1,899,489 A 2/1933 Wickbergh

- 3,133,568 A 5/1964 Reed  
3,211,199 A 10/1965 Reed  
3,393,722 A 7/1968 Windham  
3,616,827 A 11/1971 Stillwagon, Jr.  
3,656,522 A 4/1972 Ingimarsson  
4,404,749 A 9/1983 Emerson  
4,778,730 A 10/1988 Z:Ucker  
4,998,454 A 3/1991 Chaconas et al.  
5,025,688 A 6/1991 Davis  
5,237,893 A 8/1993 Ryder et al.  
D340,633 S 10/1993 Badiali  
5,259,277 A 11/1993 Zurbuchen  
5,259,279 A 11/1993 Strauch  
5,259,280 A 11/1993 Hoy  
5,284,075 A 2/1994 Strauch et al.  
5,291,811 A 3/1994 Goss  
5,341,707 A 8/1994 Bond  
5,421,224 A 6/1995 Bond  
D360,344 S 7/1995 Eggert et al.  
5,461,952 A 10/1995 Goss  
D375,669 S 11/1996 Shiao  
D378,186 S 2/1997 Braun  
5,601,003 A 2/1997 Amtenbrink et al.  
D379,750 S 6/1997 Thompson et al.  
D383,660 S 9/1997 Anderson  
D393,582 S 4/1998 Amtenbrink et al.  
D398,507 S 9/1998 Thompson et al.  
D398,508 S 9/1998 Thompson et al.  
D402,179 S 12/1998 Scott  
5,868,047 A 2/1999 Faust et al.  
D408,253 S 4/1999 Rowlay  
D411,428 S 6/1999 Scott  
D414,095 S 9/1999 Hoepfl et al.  
D415,007 S 10/1999 Jimenez et al.  
5,964,009 A 10/1999 Hoepfl et al.  
6,019,022 A 2/2000 Dotson  
D427,877 S 7/2000 Rowlay et al.  
6,228,306 B1 5/2001 Hoepfl et al.  
D447,678 S 9/2001 Staton et al.  
6,295,903 B1 10/2001 Tipper et al.  
6,368,536 B1 4/2002 Hoepfl et al.  
6,397,710 B1 6/2002 Baker  
D467,486 S 12/2002 Mathieu et al.  
D468,182 S 1/2003 Thompson et al.  
6,520,055 B1 2/2003 Reusch et al.  
D481,290 S 10/2003 Thompson et al.  
D487,690 S 3/2004 Hu  
6,883,405 B2 4/2005 Strauch  
D523,315 S 6/2006 Kienzler  
7,065,883 B2 6/2006 Popeil et al.  
D542,620 S 5/2007 Thompson et al.  
D553,464 S 10/2007 Rinner  
7,325,469 B1 2/2008 Clampitt, Jr. et al.



7,395,602	B2	7/2008	Backus et al.
D575,132	S	8/2008	Panier
7,814,815	B2	10/2010	Chen
RE42,278	E	4/2011	Kienzler
8,136,430	B2	3/2012	Hu
8,166,851	B2	5/2012	Pchola et al.
D682,067	S	5/2013	Tillet
D691,015	S	10/2013	Hyma et al.
D694,608	S	12/2013	Nelson et al.
8,701,524	B2	4/2014	Chang et al.
8,870,078	B2	10/2014	Webb et al.
D716,629	S	11/2014	Suter
8,973,474	B2	3/2015	Lai
D753,978	S	4/2016	Ranieri
9,314,907	B2	4/2016	Wang
D774,867	S	12/2016	Panier
D778,703	S	2/2017	Nelson
D800,528	S	10/2017	Leibowitz
D829,524	S *	10/2018	Su ..... D8/83
D840,207	S *	2/2019	Sun ..... D8/107
2004/0006876	A1	1/2004	Popeil et al.
2004/0099106	A1	5/2004	Strauch et al.
2004/0200079	A1	10/2004	Stoughton et al.
2005/0076749	A1	4/2005	Liu
2007/0051215	A1	3/2007	Petillo
2008/0066589	A1	3/2008	Tseng
2008/0127473	A1	6/2008	Yu
2008/0265594	A1	10/2008	Popeil et al.
2008/0276770	A1	11/2008	Blum et al.
2009/0165604	A1	7/2009	Macor
2010/0288086	A1	11/2010	Huang
2012/0285301	A1	11/2012	Totsu
2014/0325816	A1	11/2014	Ng et al.
2016/0129581	A1	5/2016	Lee et al.

FOREIGN PATENT DOCUMENTS

CN	2209023	10/1995
CN	3126913	11/1999
CN	201544179	8/2010
CN	202399186	8/2012
CN	103737529	4/2014
CN	303336007	8/2015
CN	105291018	2/2016
CN	205703936	11/2016
DE	8519877	10/1985
DE	8515835	10/1986
DE	4029734	3/1992
DE	9303706	5/1993
DE	9400780	3/1994
DE	29703215	6/1998
DE	29820168	1/1999
DE	19720139	3/1999
DE	20017964	2/2002
DE	20203297	7/2002
DE	0316555	2/2003
DE	10234205	2/2003
DE	20117855	3/2003
DE	10204570	9/2003
DE	10209034	9/2003
DE	2011051984	11/2011
DE	202012102262	7/2012
EP	608711	8/1994
EP	1422027	5/2004
FR	685851	7/1930
FR	1325282	4/1963
FR	1396783	4/1965
GB	342438	2/1931
GB	1296731	11/1972
GB	2063743	6/1981
GB	2321868	8/1998
NL	7407268	12/1975
TW	551876	9/2003
TW	D103108	2/2005
TW	D111513	6/2006
TW	M367782	11/2009
TW	M468385	12/2013

WO	WO9004498	5/1990
WO	WO9414576	7/1994
WO	WO2010040878	4/2010

\* cited by examiner

*Primary Examiner* — Philip S Hyder  
(74) *Attorney, Agent, or Firm* — Reinhart Boerner Van Deuren s.c.

(57) CLAIM

We claim the ornamental design for a screwdriver, as shown and described.

DESCRIPTION

FIG. 1 is a perspective view of a first embodiment of a screwdriver, showing the new design.  
 FIG. 2 is a first side view of the screwdriver of FIG. 1.  
 FIG. 3 is a second side view of the screwdriver of FIG. 1.  
 FIG. 4 is a front side view of the screwdriver of FIG. 1.  
 FIG. 5 is a back side view of the screwdriver of FIG. 1.  
 FIG. 6 is a third side view of the screwdriver of FIG. 1.  
 FIG. 7 is a fourth side view of the screwdriver of FIG. 1.  
 FIG. 8 is a perspective view of a second embodiment of the screwdriver.  
 FIG. 9 is a first side view of the screwdriver of FIG. 8.  
 FIG. 10 is a second side view of the screwdriver of FIG. 8.  
 FIG. 11 is a front side view of the screwdriver of FIG. 8.  
 FIG. 12 is a back side view of the screwdriver of FIG. 8.  
 FIG. 13 is a third side view of the screwdriver of FIG. 8.  
 FIG. 14 is a fourth side view of the screwdriver of FIG. 8.  
 FIG. 15 is a perspective view of a third embodiment of the screwdriver.  
 FIG. 16 is a first side view of the screwdriver of FIG. 15.  
 FIG. 17 is a second side view of the screwdriver of FIG. 15.  
 FIG. 18 is a front side view of the screwdriver of FIG. 15.  
 FIG. 19 is a back side view of the screwdriver of FIG. 15.  
 FIG. 20 is a third side view of the screwdriver of FIG. 15.  
 FIG. 21 is a fourth side view of the screwdriver of FIG. 15.  
 FIG. 22 is another perspective view of the first embodiment of the screwdriver, wherein the screwdriver is illustrated using wireframe drawing technique.  
 FIG. 23 is a first side view of the screwdriver of FIG. 22.  
 FIG. 24 is a second side view of the screwdriver of FIG. 22.  
 FIG. 25 is a front side view of the screwdriver of FIG. 22.  
 FIG. 26 is a back side view of the screwdriver of FIG. 22.  
 FIG. 27 is a third side view of the screwdriver of FIG. 22.  
 FIG. 28 is a fourth side view of the screwdriver of FIG. 22.  
 FIG. 29 is another perspective view of the second embodiment of the screwdriver wherein the screwdriver is illustrated using wireframe drawing technique.  
 FIG. 30 is a first side view of the screwdriver of FIG. 29.  
 FIG. 31 is a second side view of the screwdriver of FIG. 29.  
 FIG. 32 is a front side view of the screwdriver of FIG. 29.  
 FIG. 33 is a back side view of the screwdriver of FIG. 29.  
 FIG. 34 is a third side view of the screwdriver of FIG. 29.  
 FIG. 35 is a fourth side view of the screwdriver of FIG. 29.  
 FIG. 36 is another perspective view of the third embodiment of the screwdriver wherein the screwdriver is illustrated using wireframe drawing technique.  
 FIG. 37 is a first side view of the screwdriver of FIG. 36.  
 FIG. 38 is a second side view of the screwdriver of FIG. 36.  
 FIG. 39 is a front side view of the screwdriver of FIG. 36.  
 FIG. 40 is a back side view of the screwdriver of FIG. 36.

FIG. **41** is a third side view of the screwdriver of FIG. **36**;  
and,  
FIG. **42** is a fourth side view of the screwdriver of FIG. **36**.

**1 Claim, 24 Drawing Sheets**

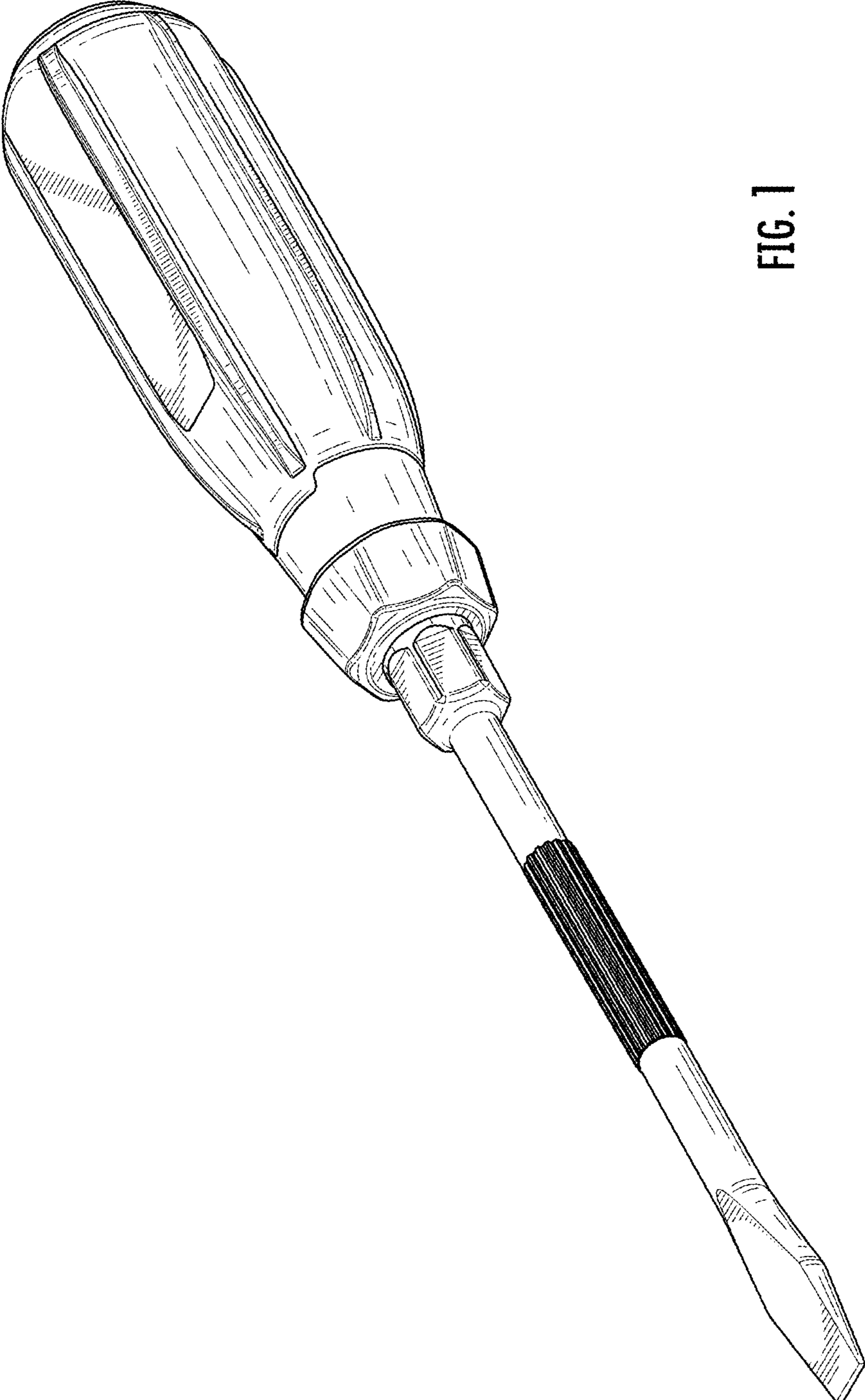


FIG. 1

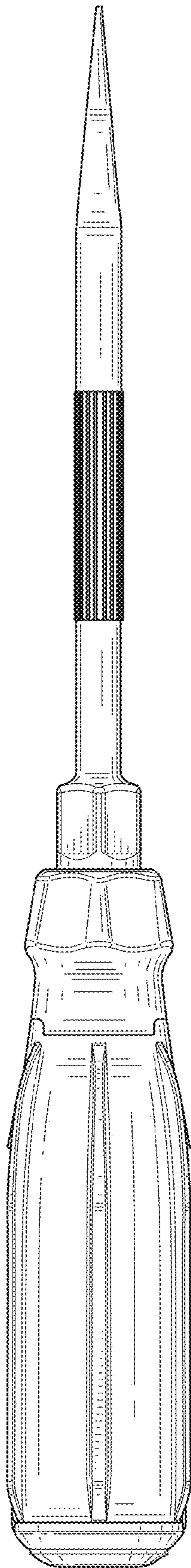


FIG. 2

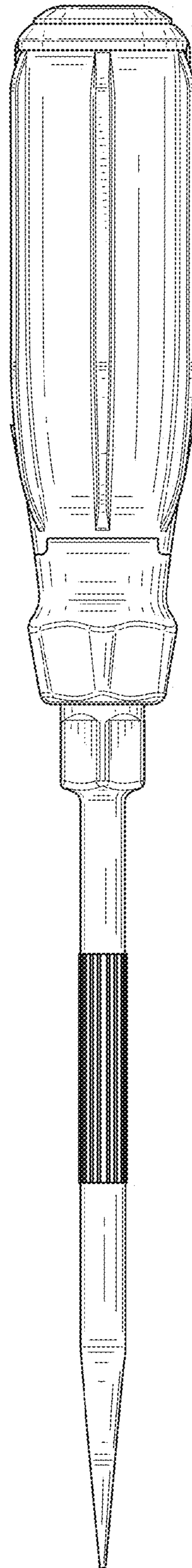


FIG. 3

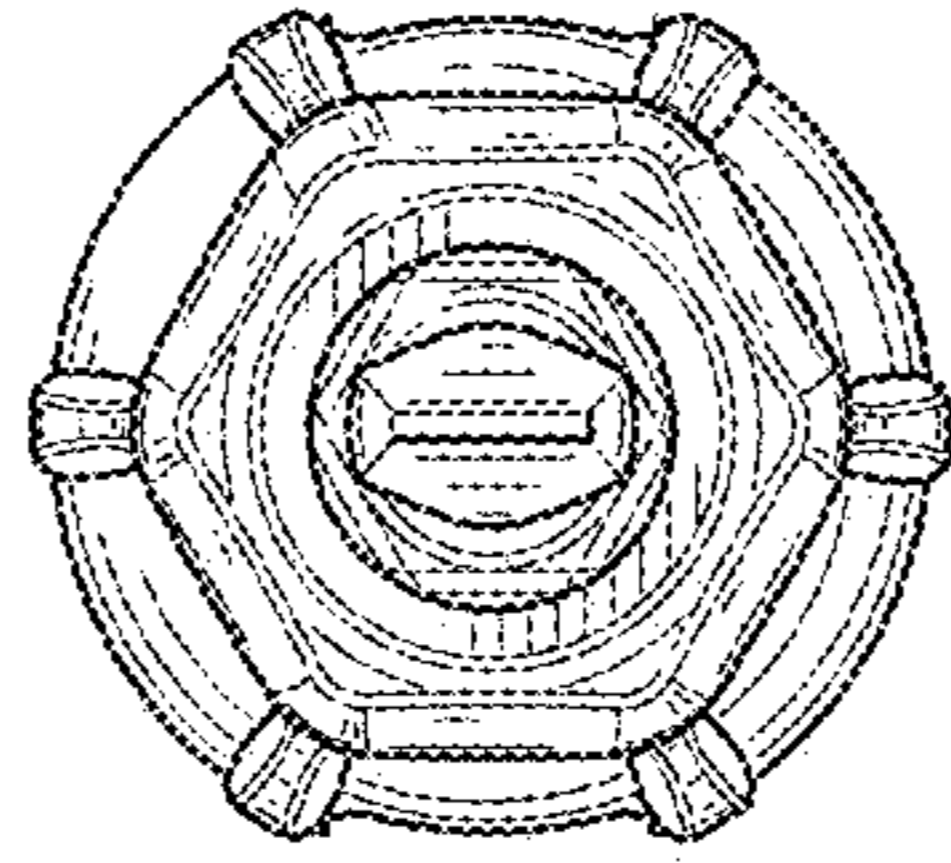


FIG. 4

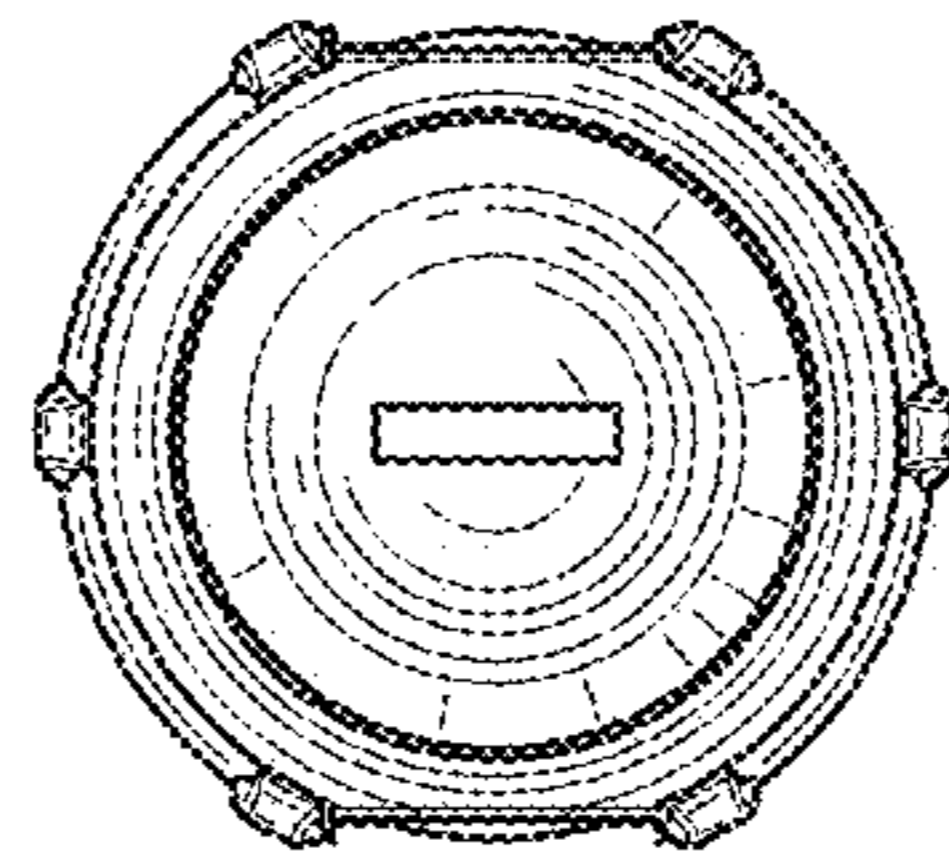


FIG. 5

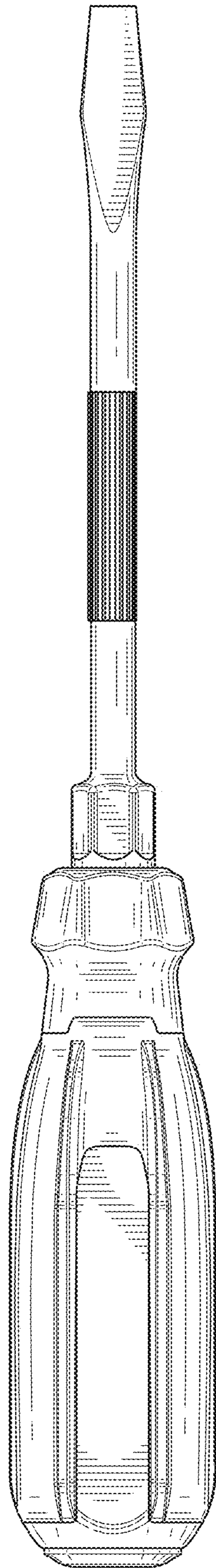


FIG. 6

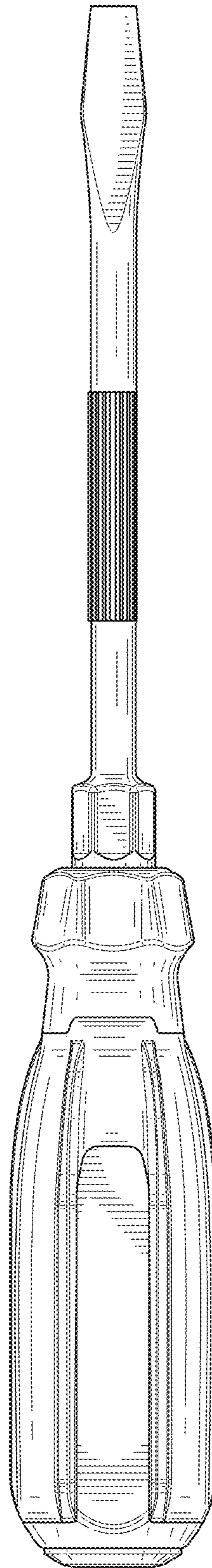


FIG. 7

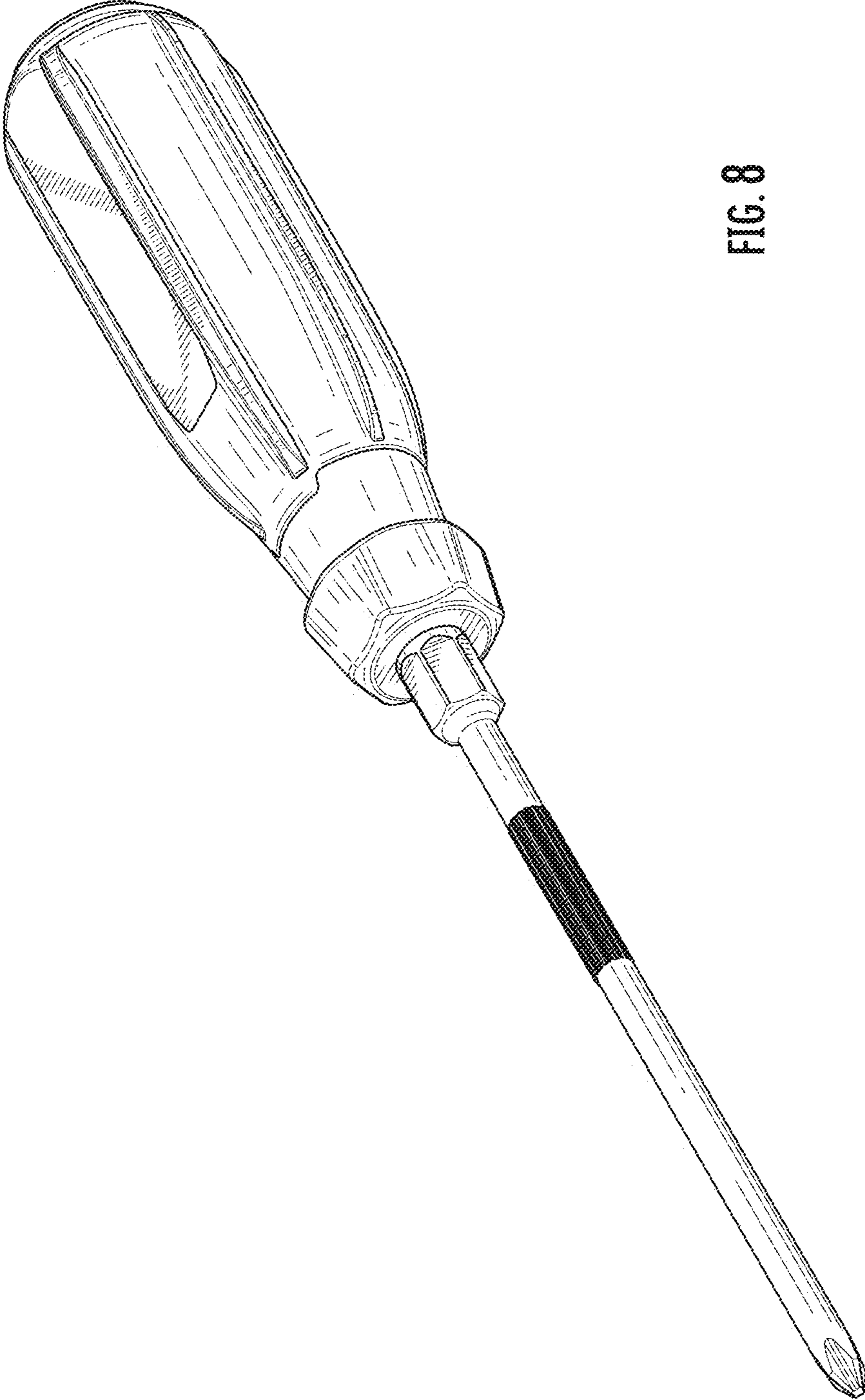


FIG. 8



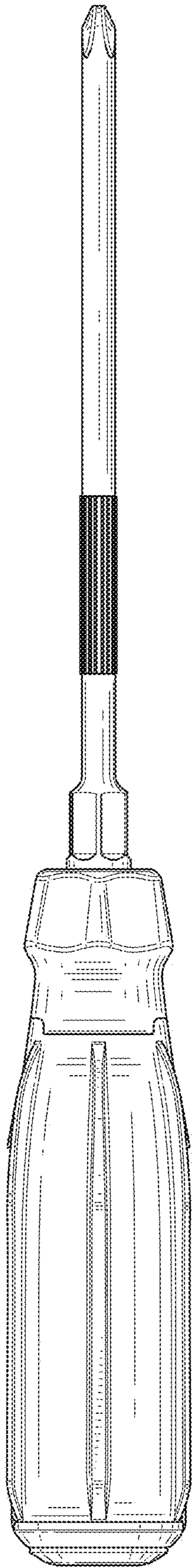


FIG. 9

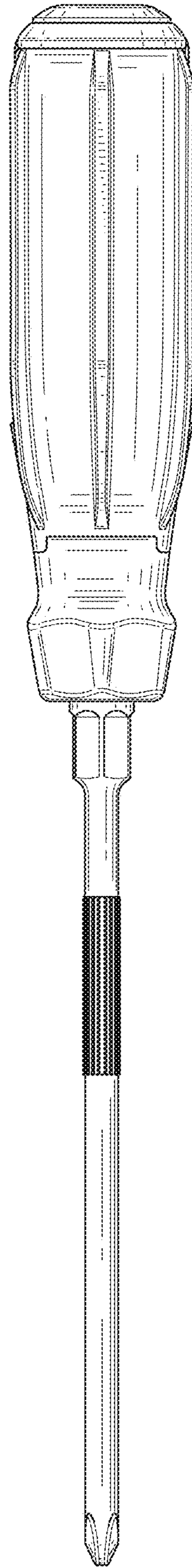


FIG. 10

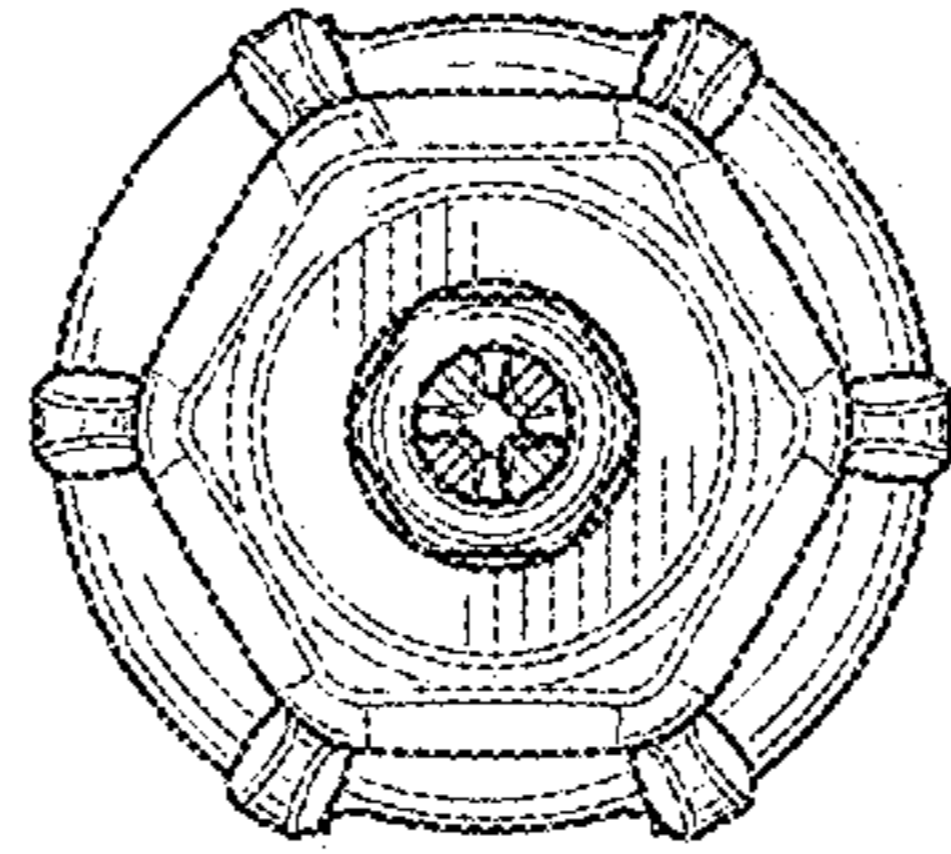


FIG. 11

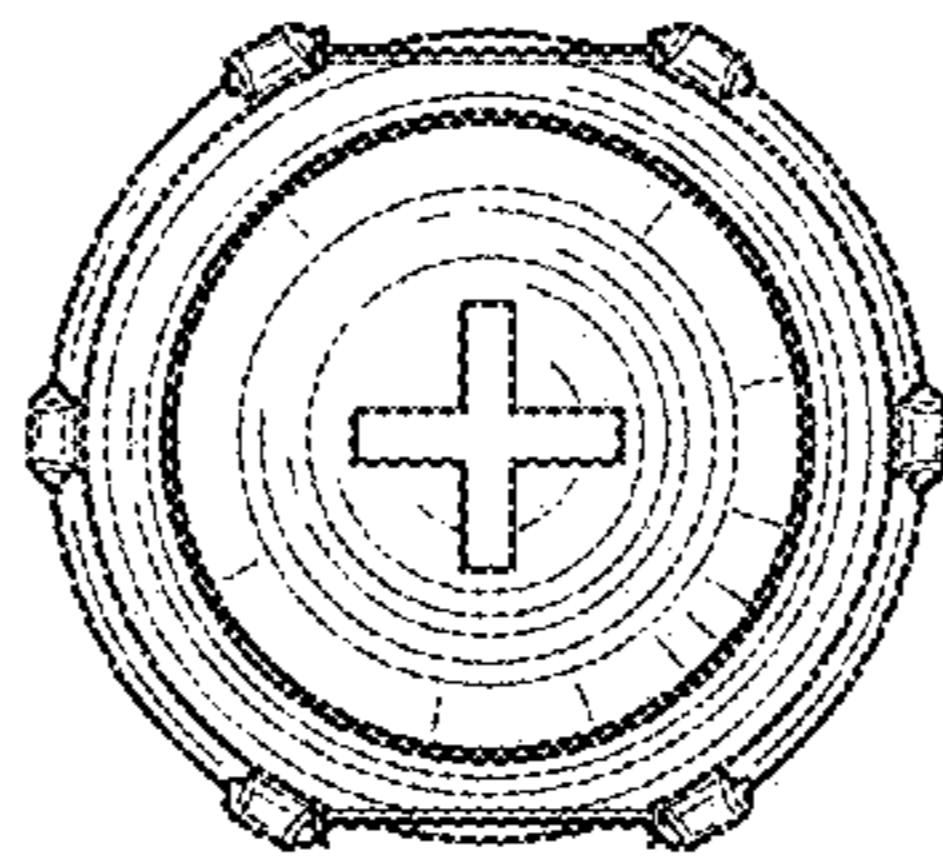


FIG. 12

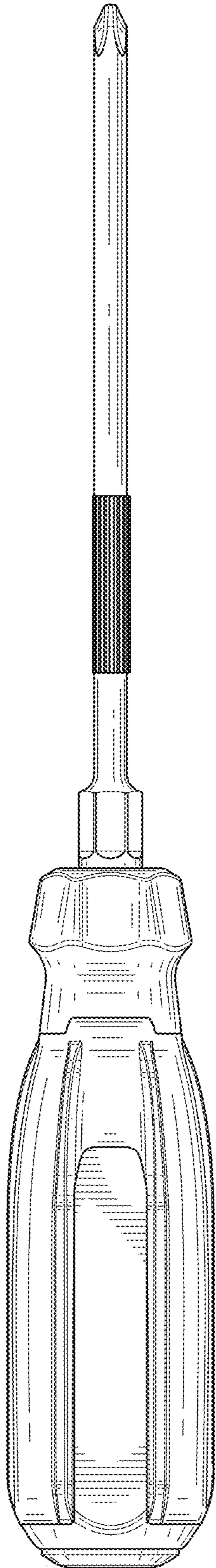


FIG. 13

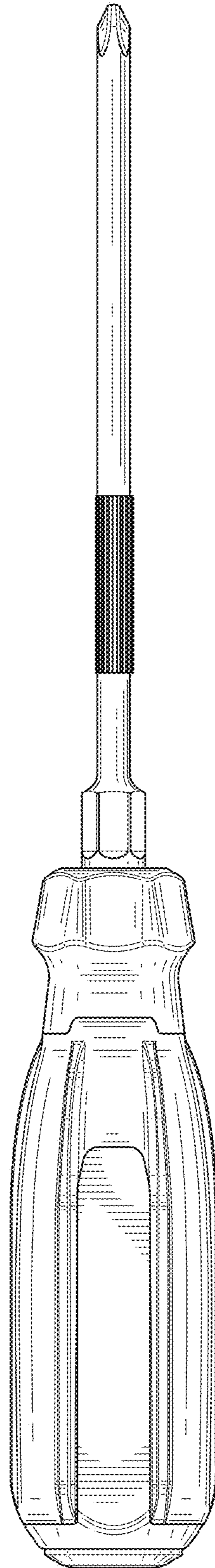


FIG. 14

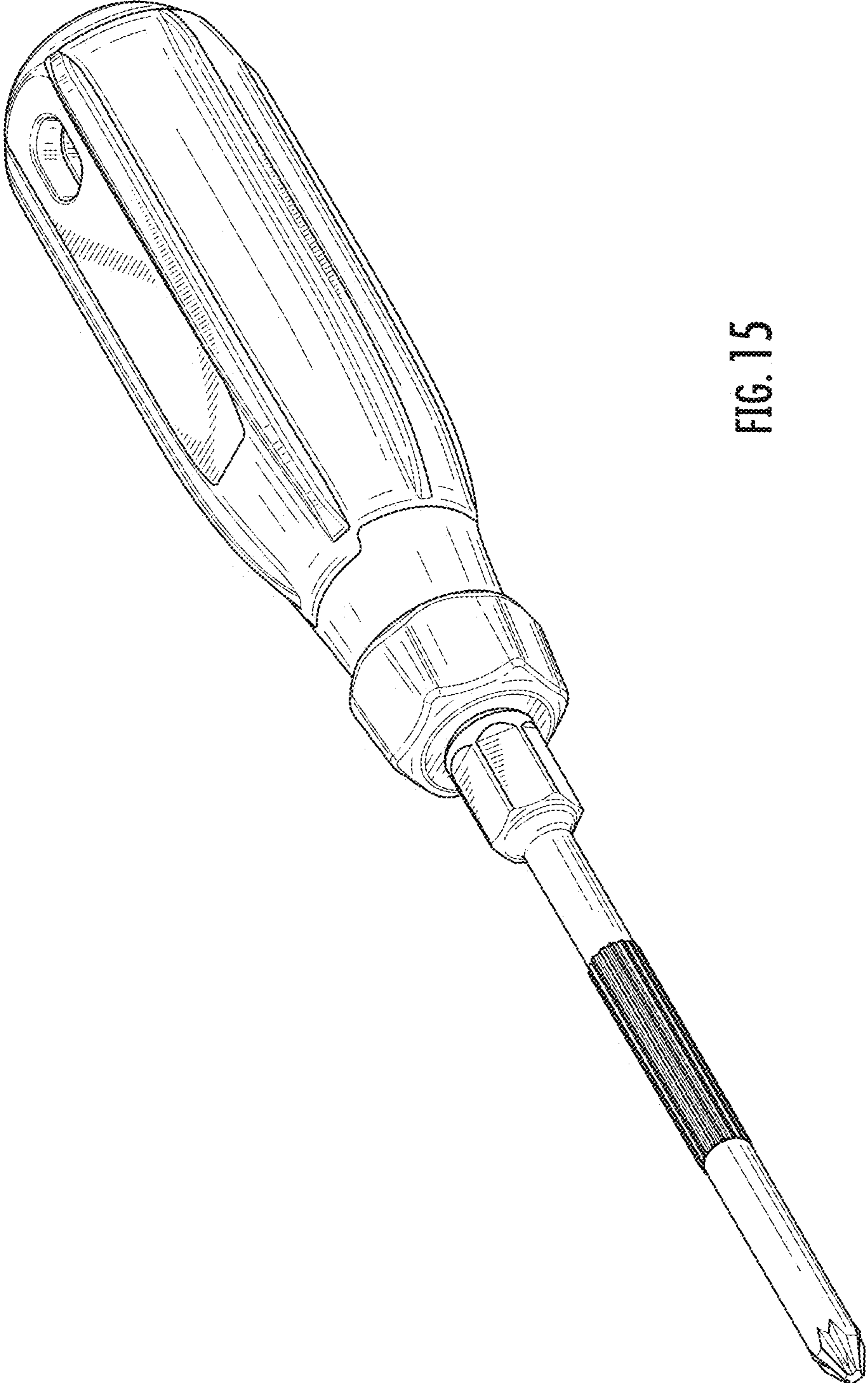


FIG. 15

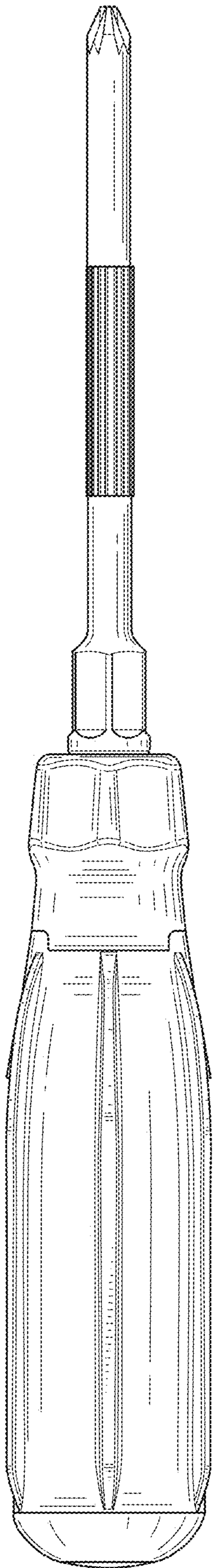


FIG. 16

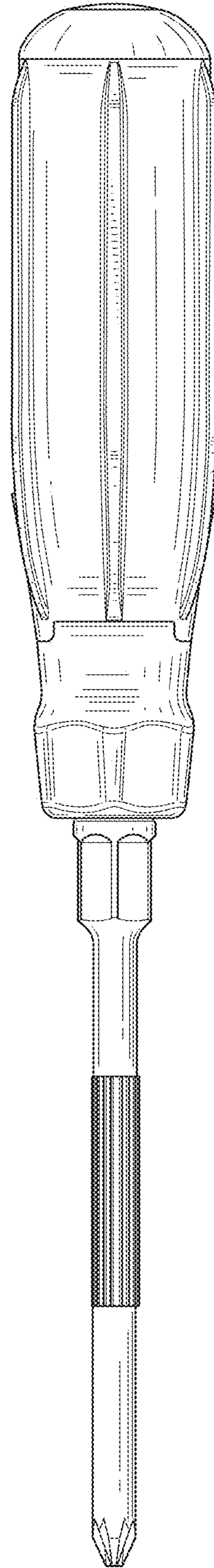


FIG. 17

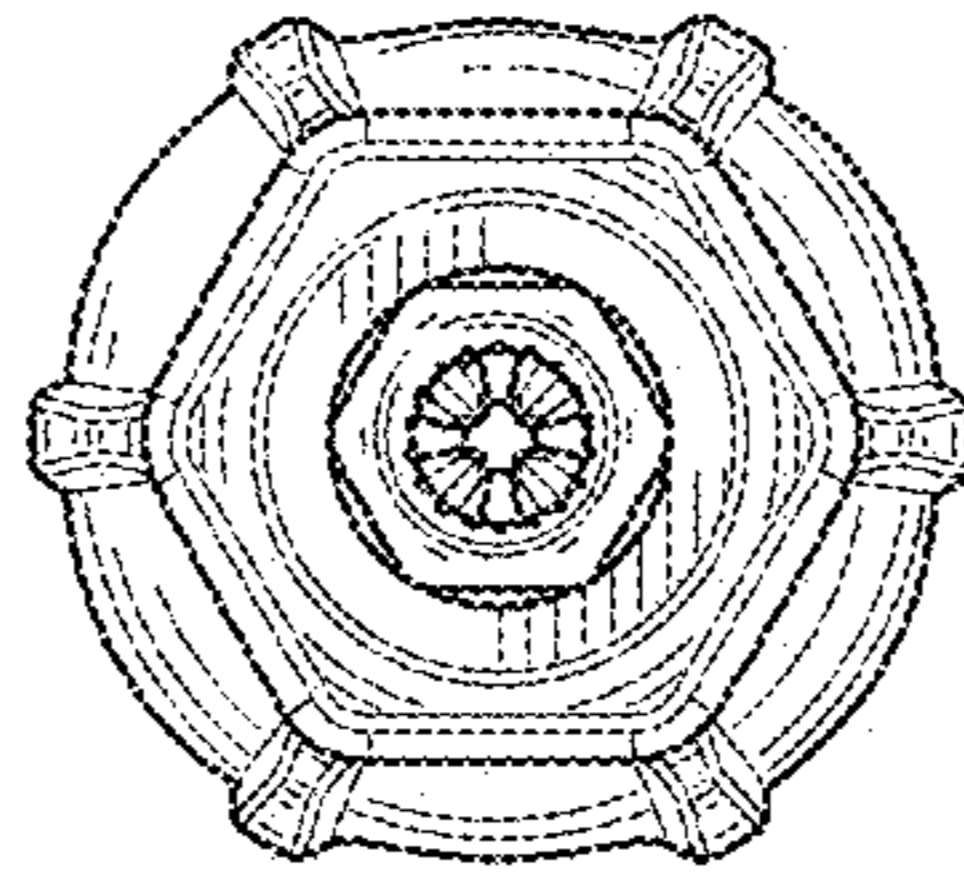


FIG. 18

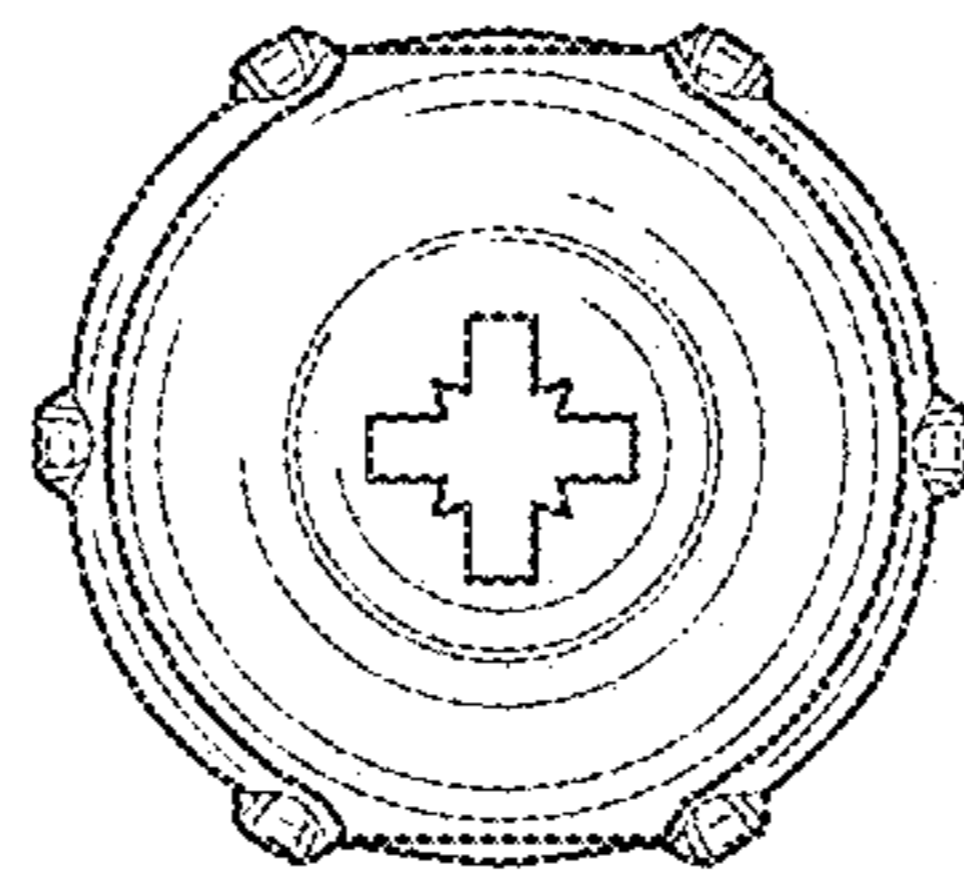


FIG. 19

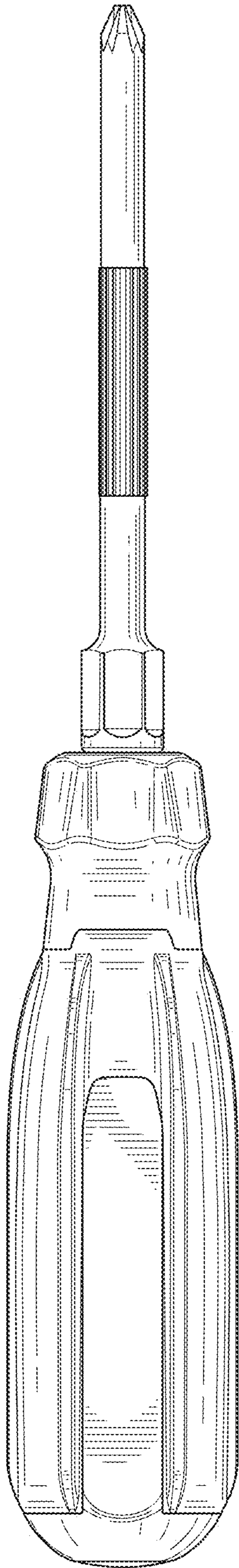


FIG. 20

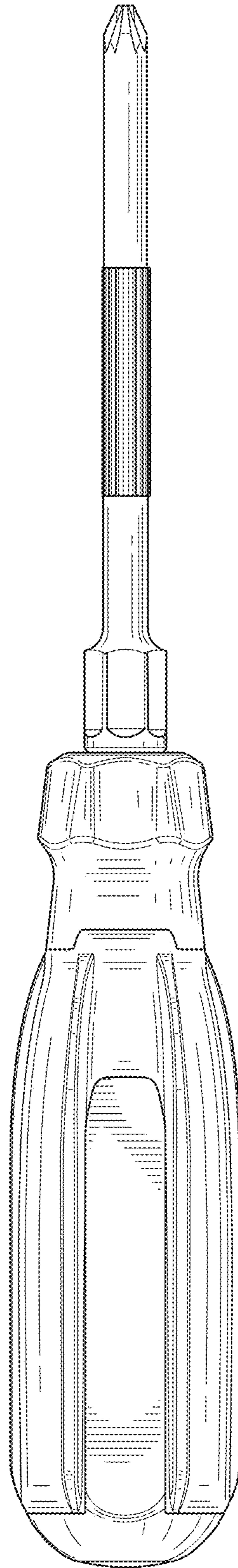


FIG. 21

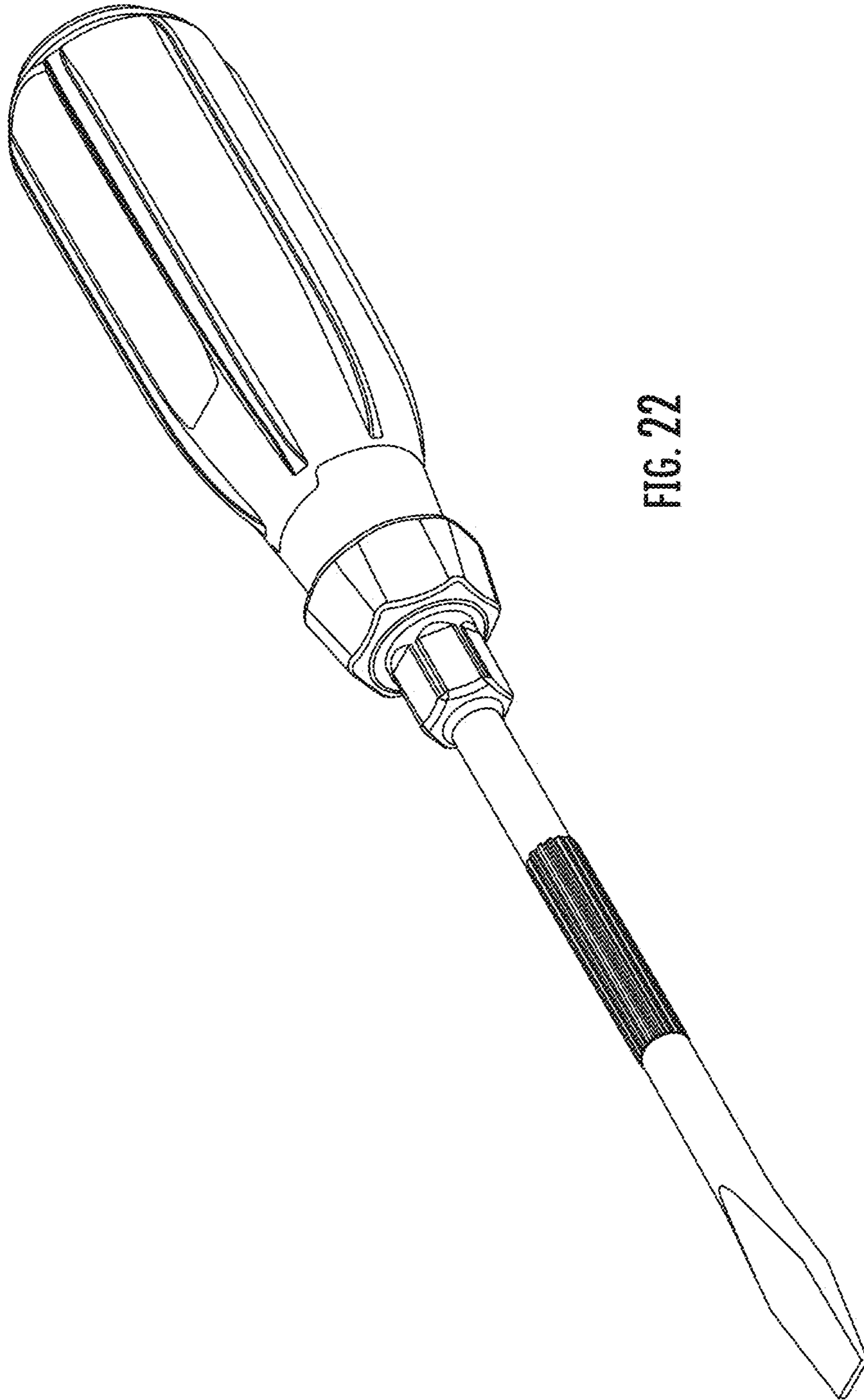


FIG. 22



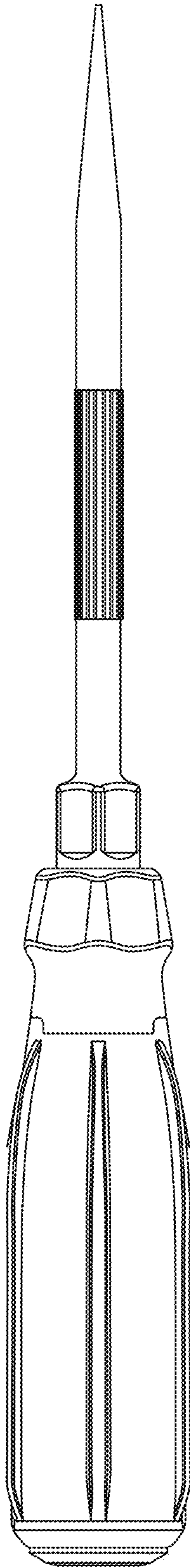


FIG. 23

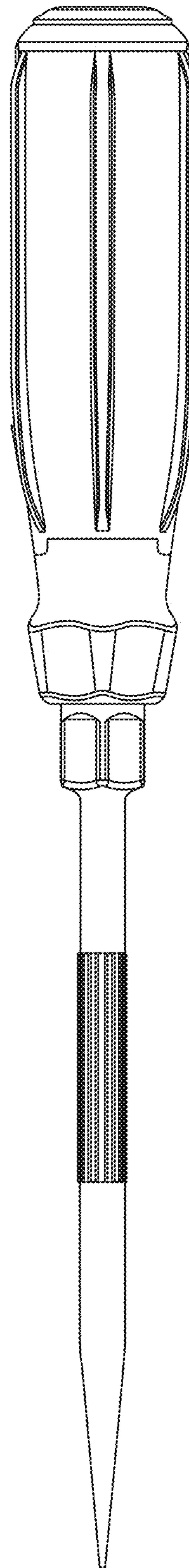


FIG. 24

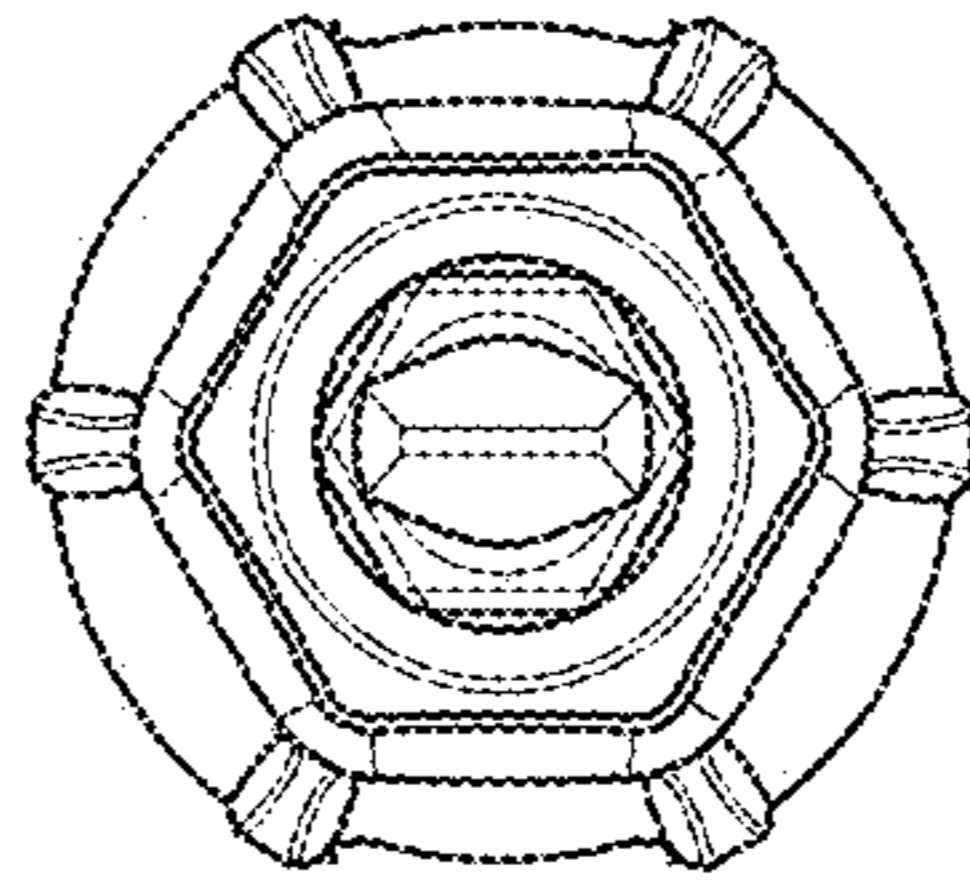


FIG. 25

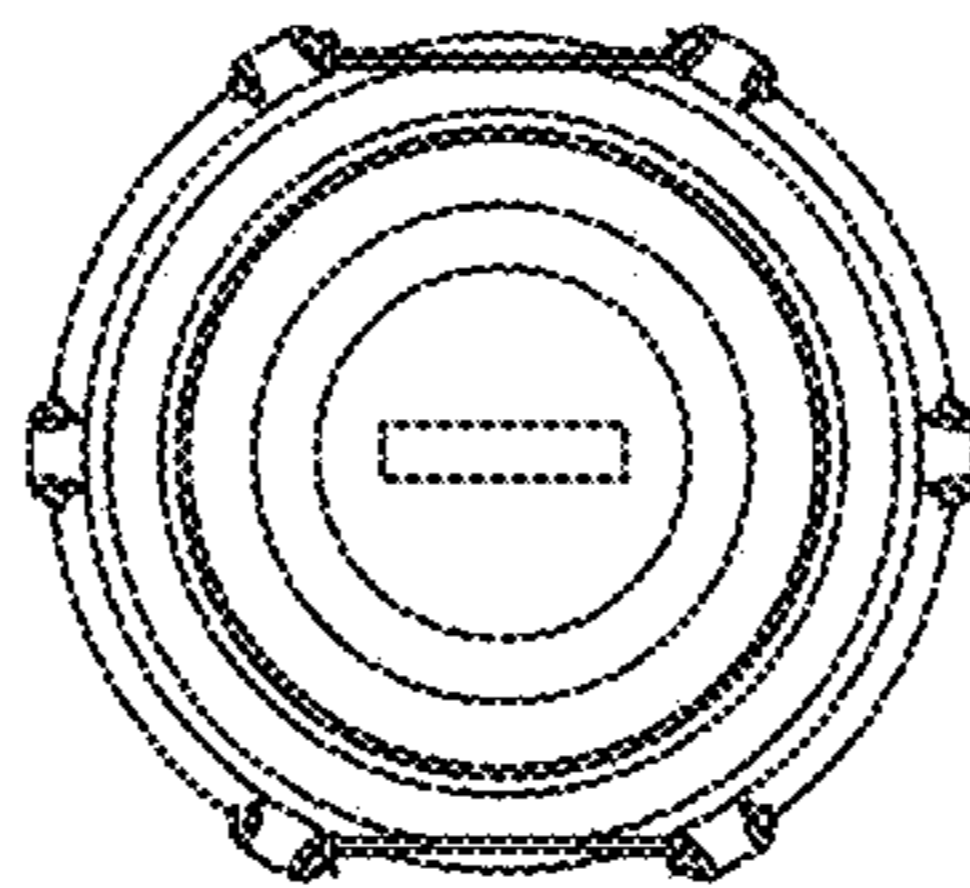


FIG. 26

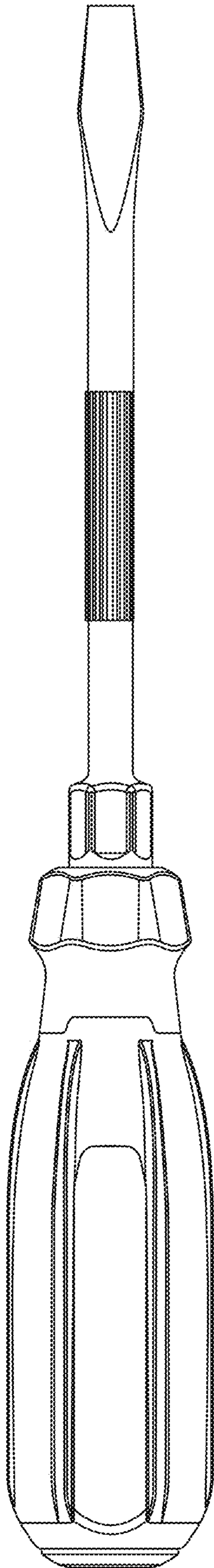


FIG. 27

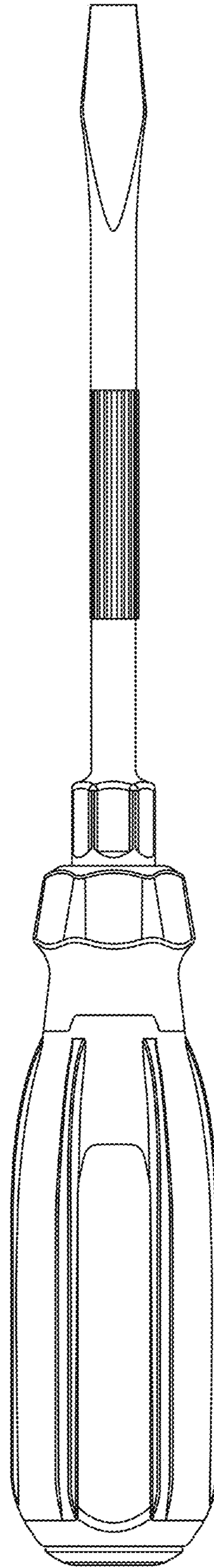


FIG. 28

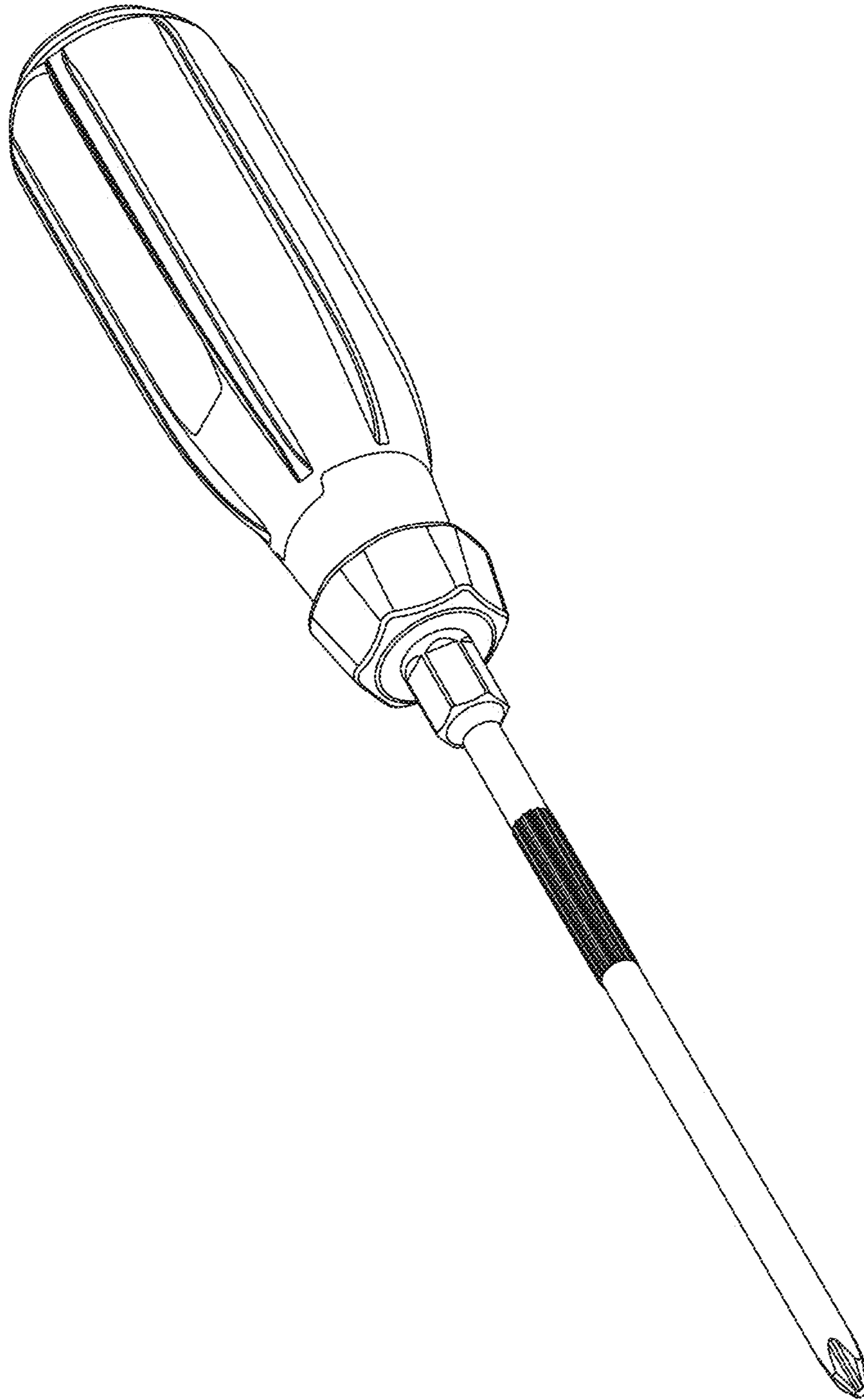


FIG. 29

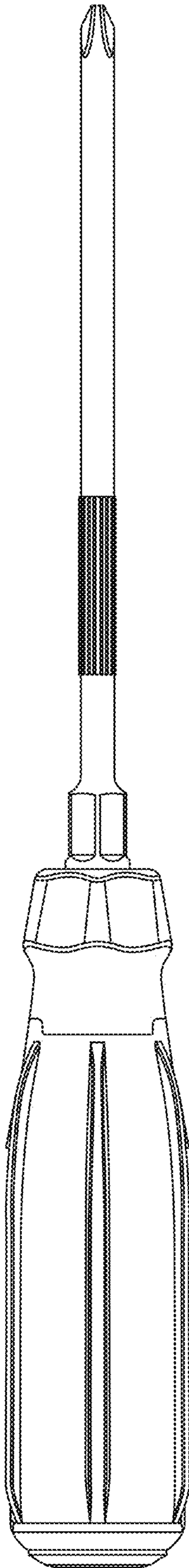


FIG. 30

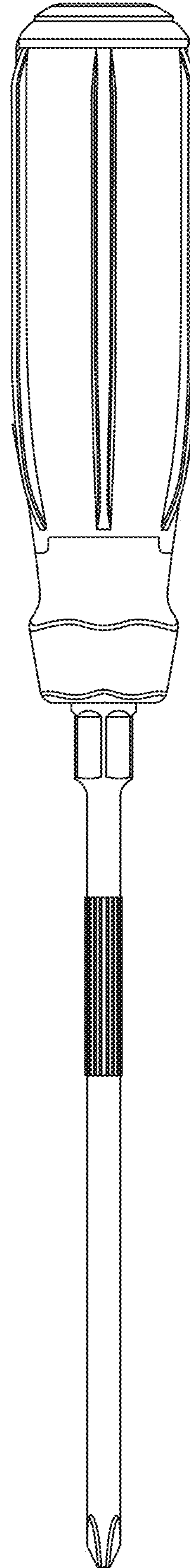


FIG. 31

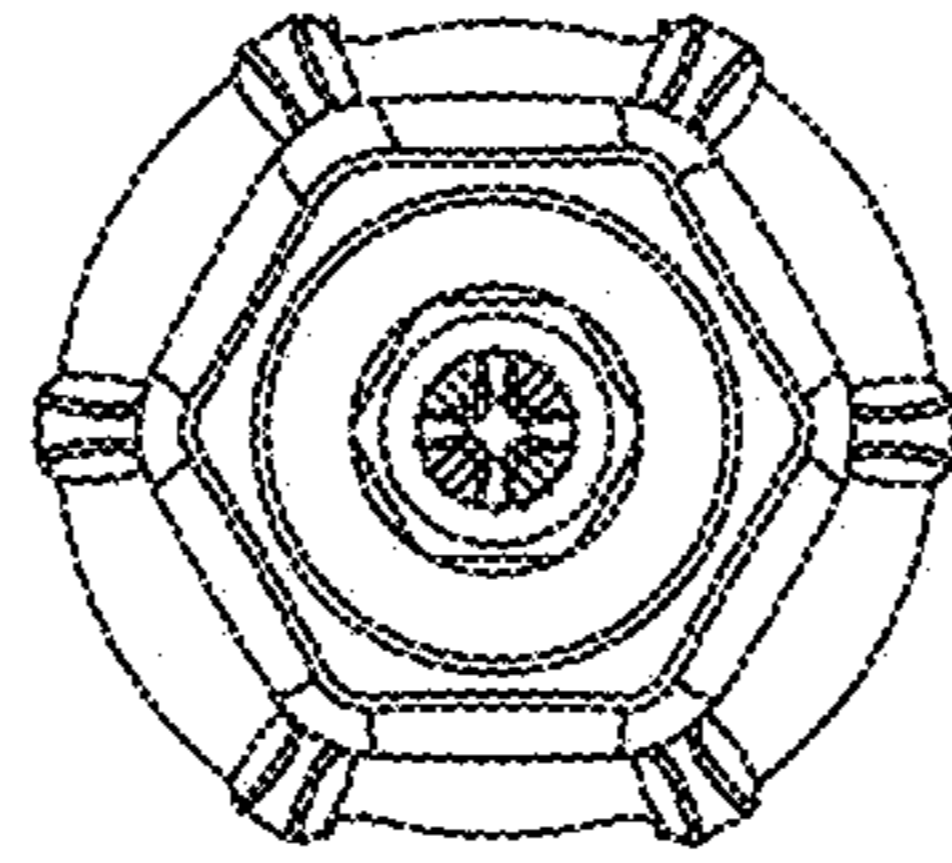


FIG. 32

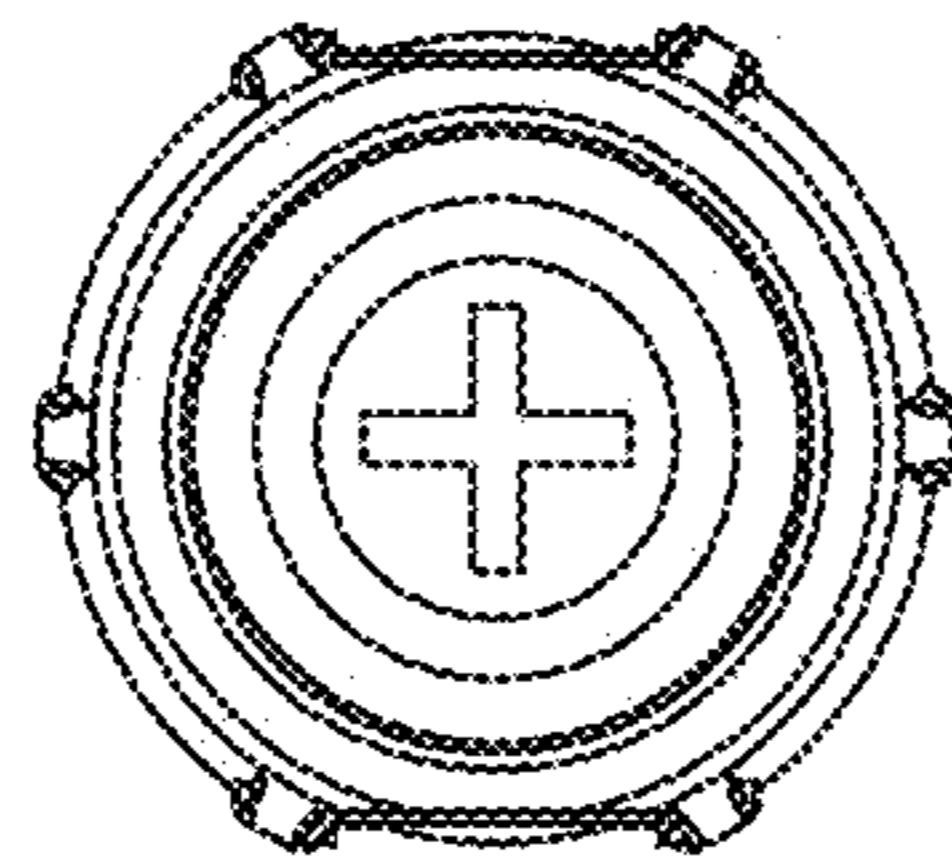


FIG. 33

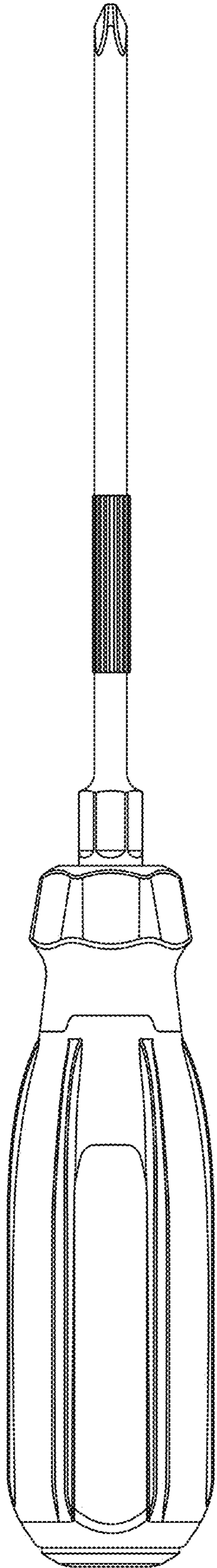


FIG. 34

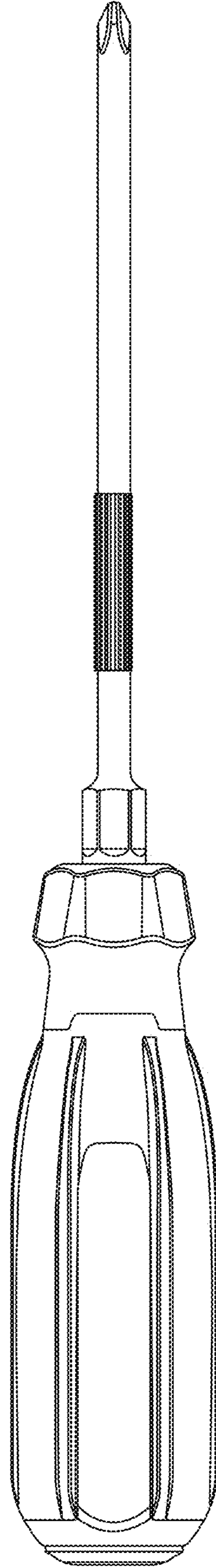


FIG. 35

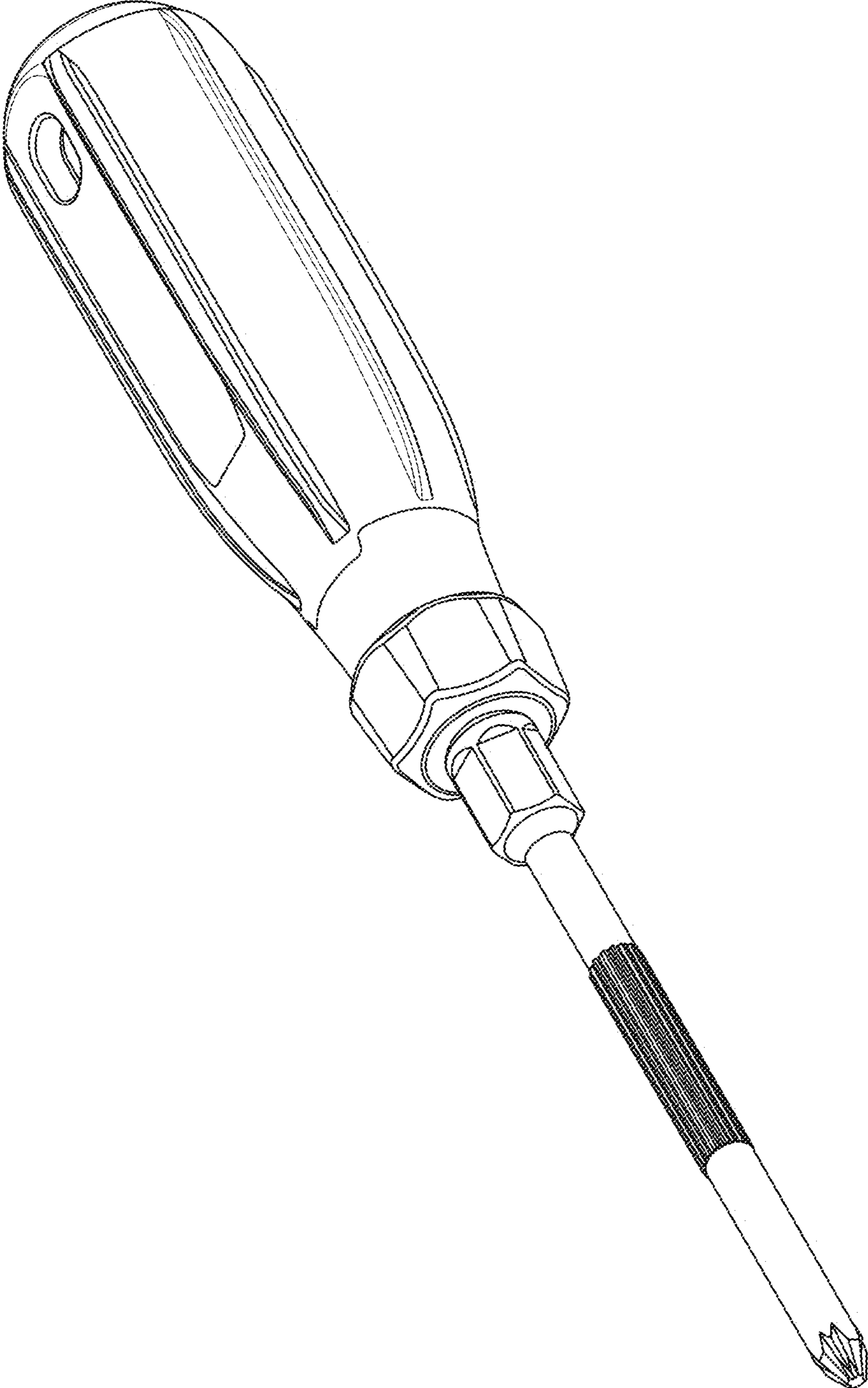


FIG. 36



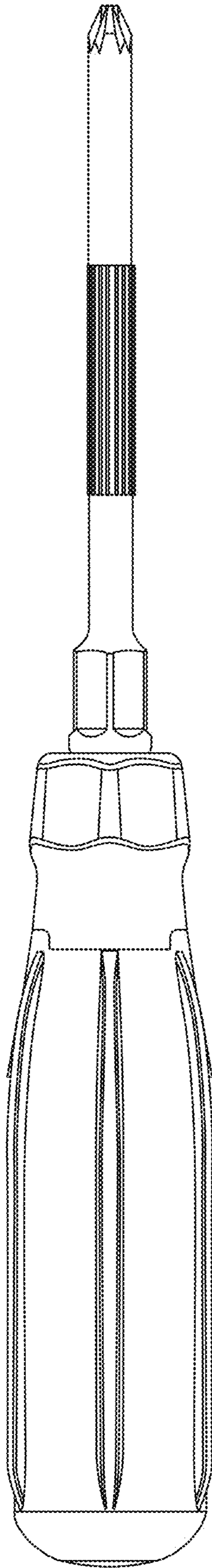


FIG. 37

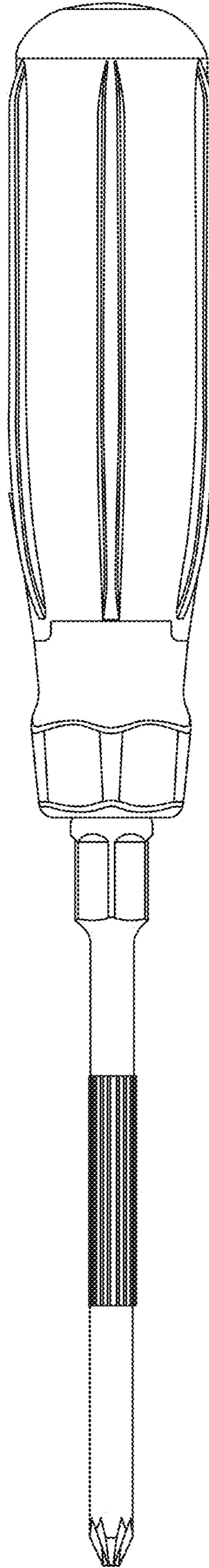


FIG. 38

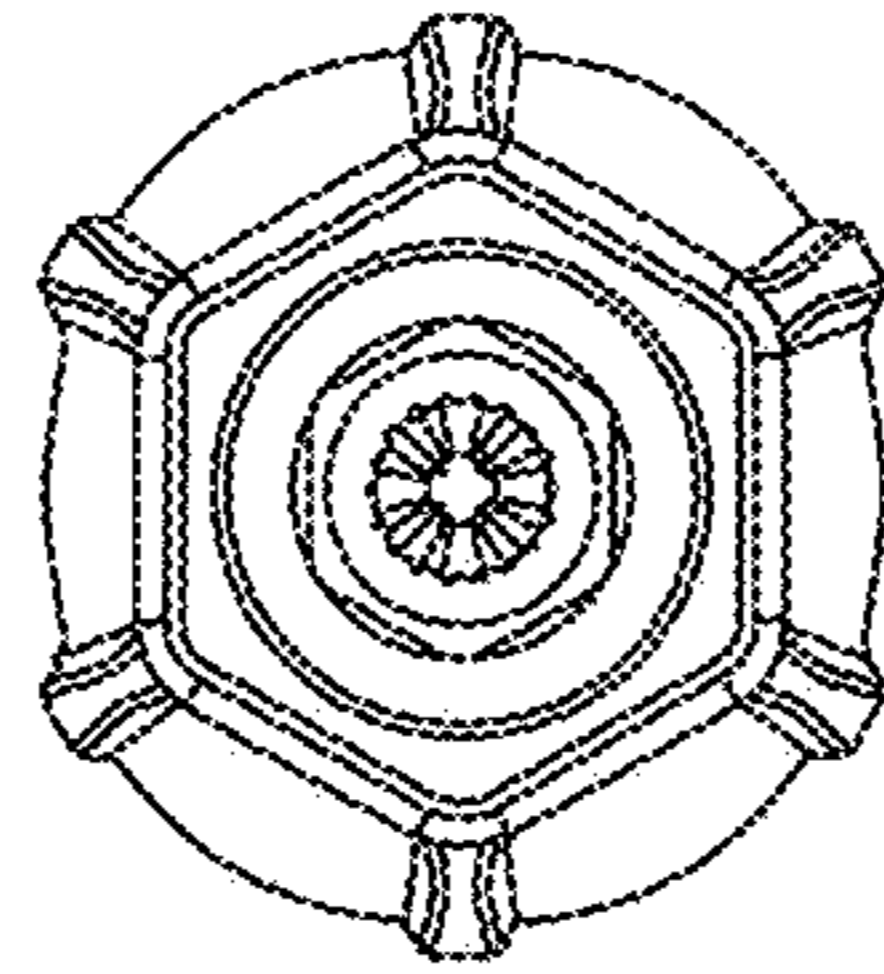


FIG. 39

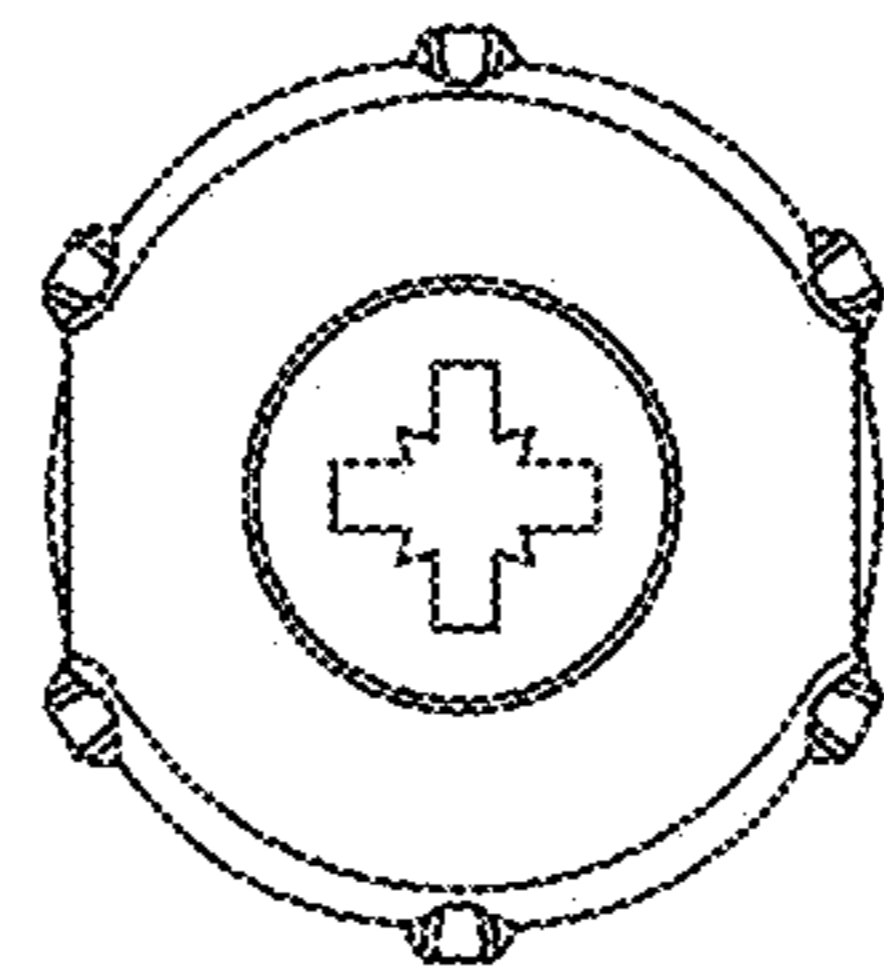


FIG. 40

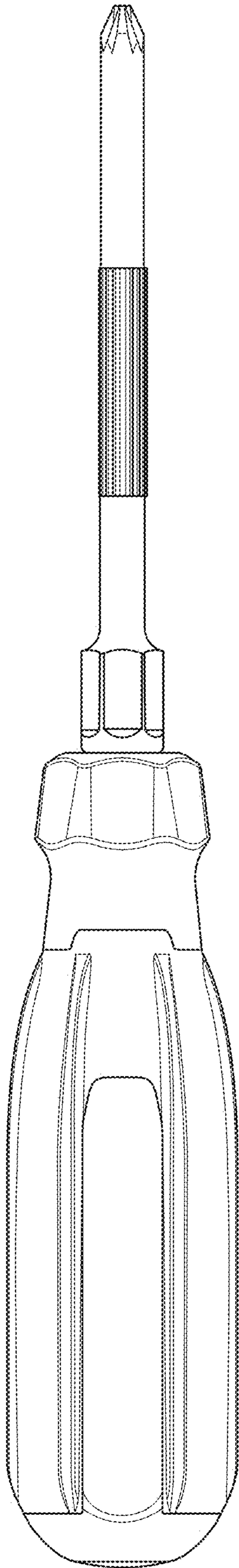


FIG. 41

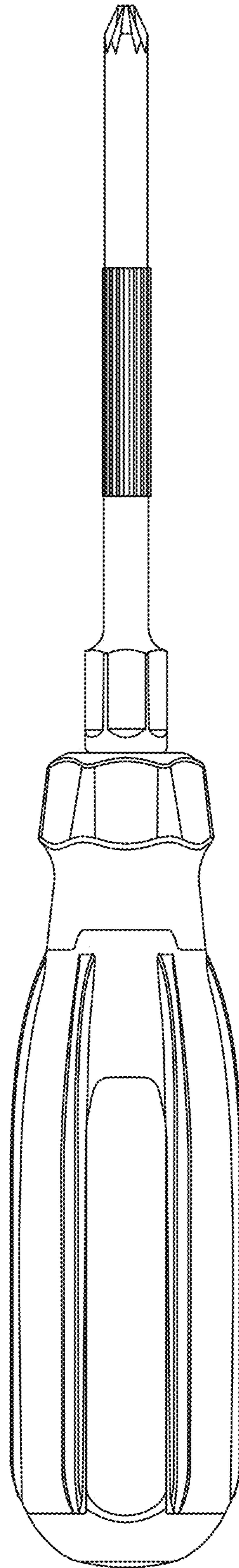


FIG. 42