



US00D911139S

(12) **United States Design Patent**
Concari

(10) **Patent No.:** **US D911,139 S**

(45) **Date of Patent:** **** Feb. 23, 2021**

(54) **CORDLESS NAILER**

(71) Applicant: **BLACK & DECKER INC.**, New Britain, CT (US)

(72) Inventor: **Gabriel E. Concari**, Eldersburg, MD (US)

(73) Assignee: **Black & Decker, Inc.**, New Britain, CT (US)

(**) Term: **15 Years**

(21) Appl. No.: **29/718,412**

(22) Filed: **Dec. 24, 2019**

Related U.S. Application Data

(63) Continuation of application No. 29/603,047, filed on May 5, 2017, now Pat. No. Des. 873,105, which is a continuation-in-part of application No. 29/620,368, filed on Nov. 7, 2016, now Pat. No. Des. 817,734.

(51) **LOC (13) Cl.** **08-05**

(52) **U.S. Cl.**
USPC **D8/68**

(58) **Field of Classification Search**
USPC D8/61-70
CPC .. B25C 1/001; B25C 1/04; B25C 1/06; B25C 1/041; B25C 1/047
See application file for complete search history.

(56) **References Cited**

U.S. PATENT DOCUMENTS

6,045,024 A * 4/2000 Phillips B25C 1/005
227/10
D435,769 S * 1/2001 Etter D8/68
D475,597 S * 6/2003 Arai D8/68
D478,490 S * 8/2003 Wu D8/68
D479,110 S * 9/2003 Nolan D8/68
6,913,180 B2 * 7/2005 Schuster B25C 1/005
227/109

D512,622 S * 12/2005 Thomas D8/69
D553,931 S * 10/2007 Buck D8/68
7,284,685 B1 * 10/2007 Wojcicki B25C 1/005
227/119
7,413,105 B1 * 8/2008 Ho B25C 1/001
227/120
7,516,532 B2 * 4/2009 Wojcicki B25C 1/005
227/109
2006/0118591 A1 * 6/2006 Ho B25C 1/008
227/8

(Continued)

OTHER PUBLICATIONS

Jim Wilcox. "The Best Finish Nailer." The Smart Consumer., Feb. 10, 2018 [online], [retrieved on Oct. 12, 2020]. Retrieved from the Internet <URL: <https://www.thesmartconsumer.com/best-finish-nailer>>.*

(Continued)

Primary Examiner — Darlington Ly

(74) *Attorney, Agent, or Firm* — Rhonda Barton

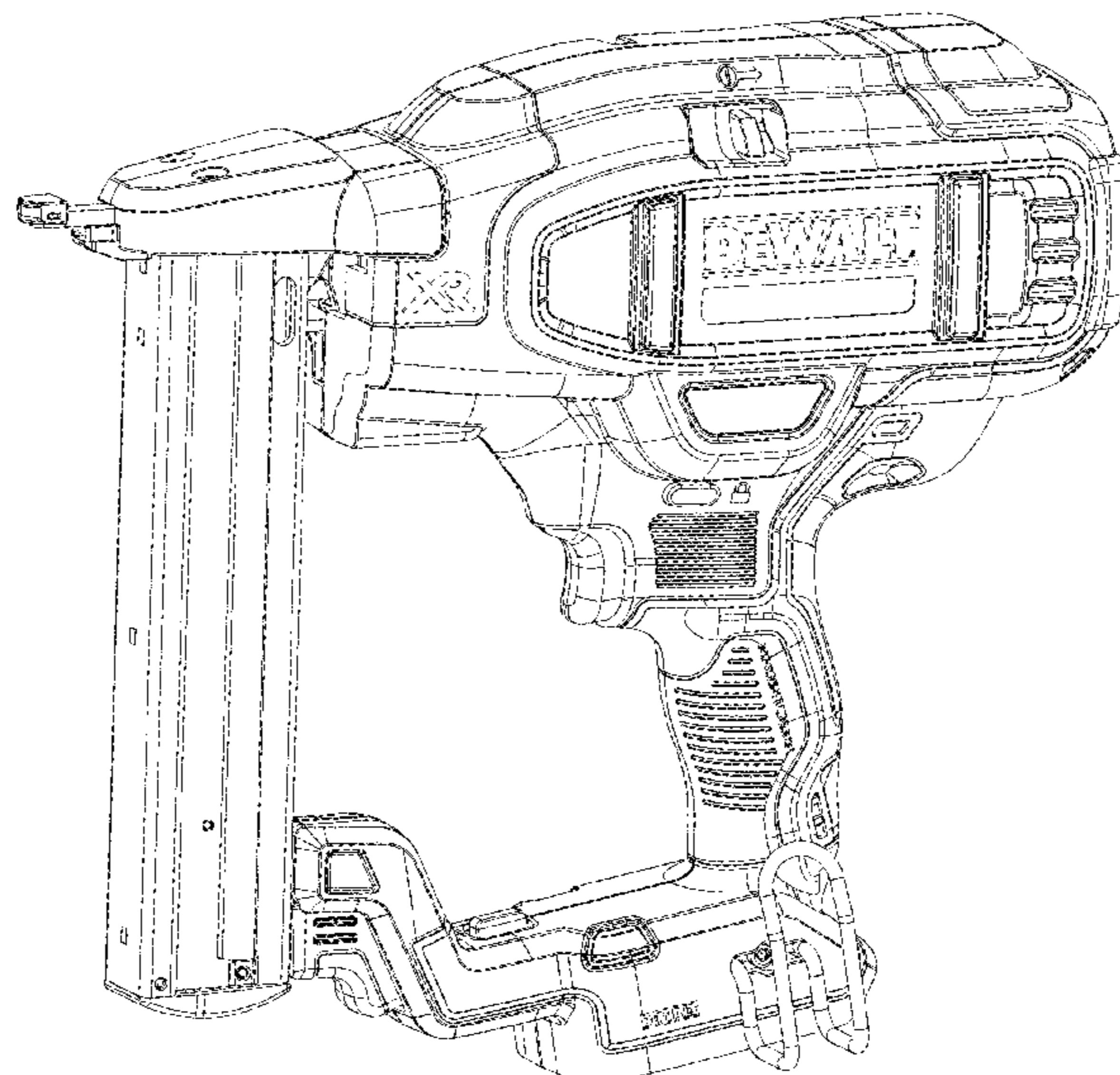
(57) **CLAIM**

The ornamental design for a cordless nailer, as shown and described.

DESCRIPTION

FIG. 1 is a top and right-side perspective view of a cordless nailer showing our new design;
FIG. 2 is a top and left-side perspective view of the design of FIG. 1;
FIG. 3 is a right-side elevation view thereof;
FIG. 4 is a left-side elevation view thereof;
FIG. 5 is a front elevation view thereof;
FIG. 6 is a rear elevation view thereof;
FIG. 7 is a top plan view thereof; and,
FIG. 8 is a bottom plan view thereof.
The broken lines in the drawings illustrate portions of the cordless nailer that form no part of the claimed design.

1 Claim, 8 Drawing Sheets



(56)

References Cited

U.S. PATENT DOCUMENTS

2009/0050668 A1* 2/2009 Jian B25C 5/16
227/126

OTHER PUBLICATIONS

Michael M Selby. "7 Best Finish Nailer Reviews 2019 A Complete Buying Guide to Choose Top Finish Nailerr." Tools Ivy., Dec. 31, 2018 [online], [retrieved on Oct. 12, 2020]. Retrieved from the Internet <URL: <https://toolsivy.com/best-finish-nailed/>>.*

* cited by examiner

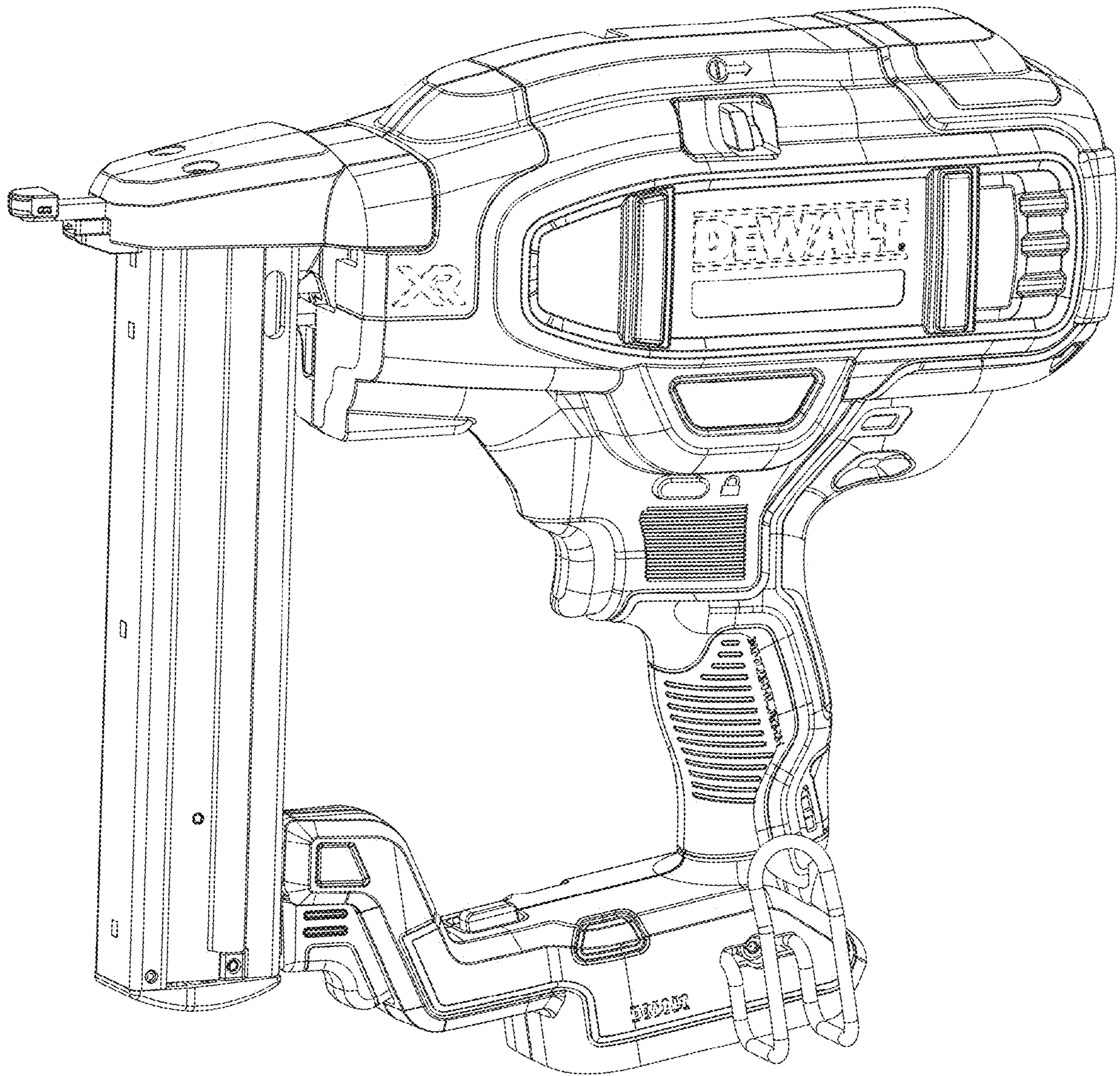


FIG. 1

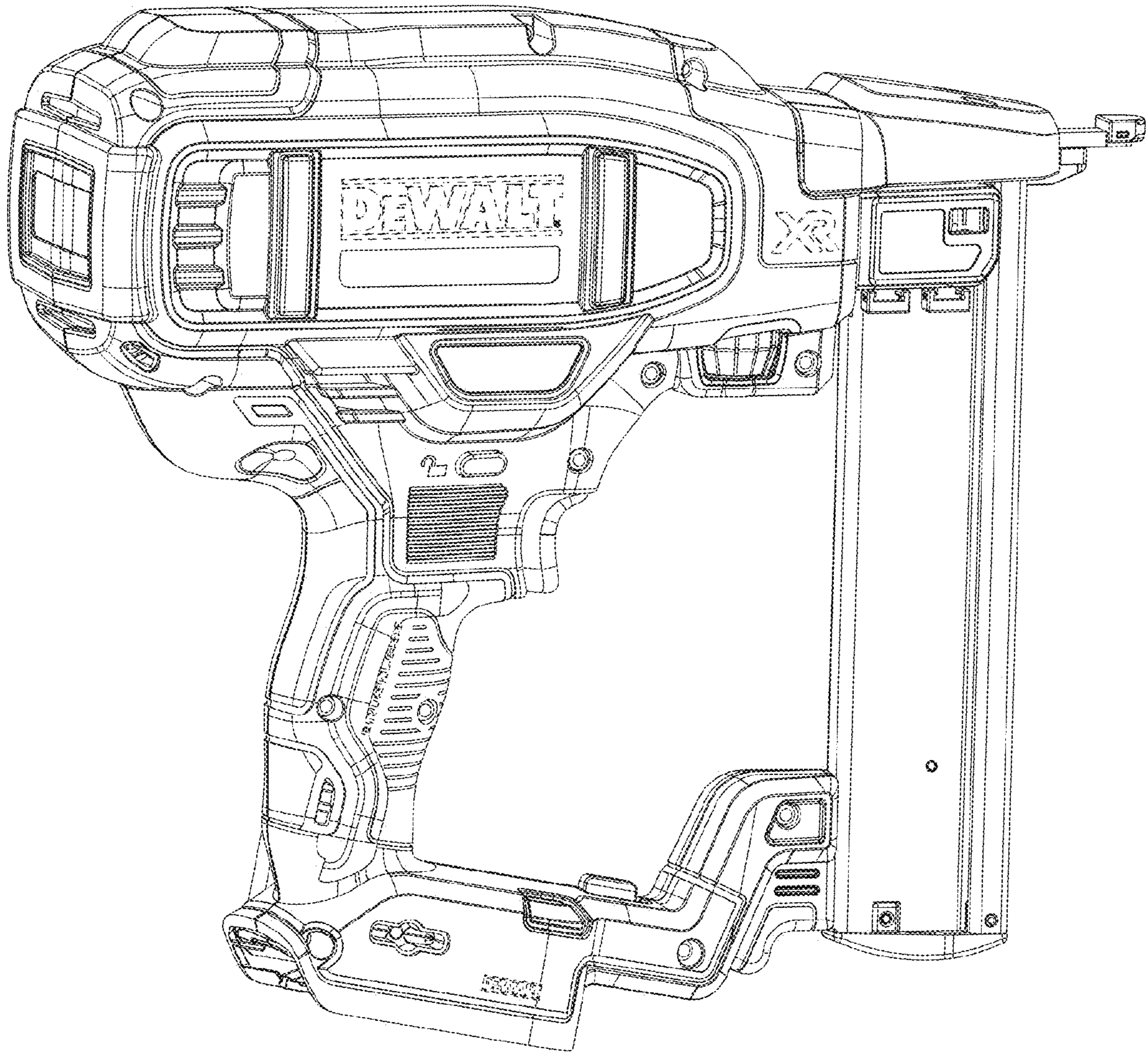


FIG. 2

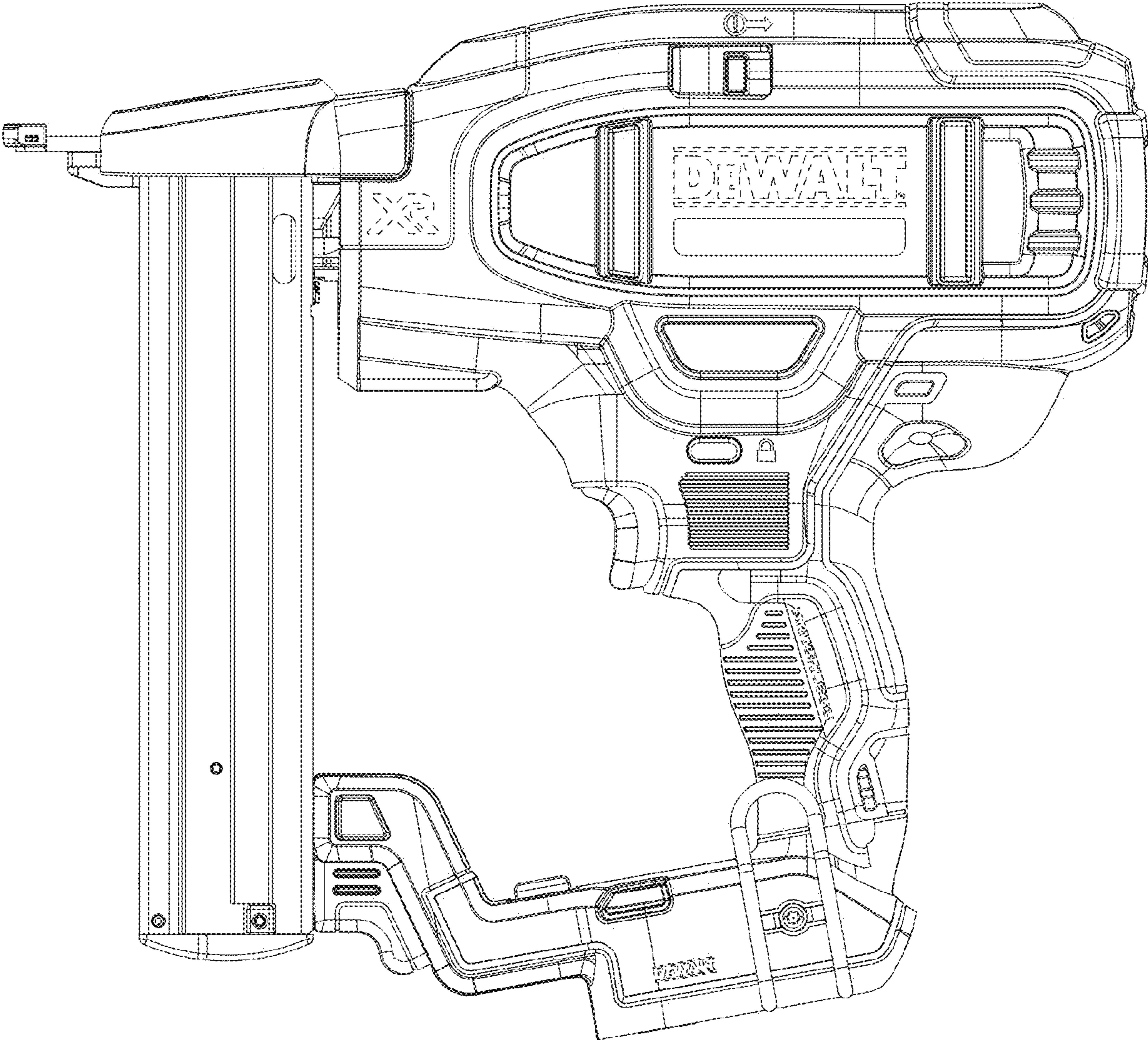


FIG. 3

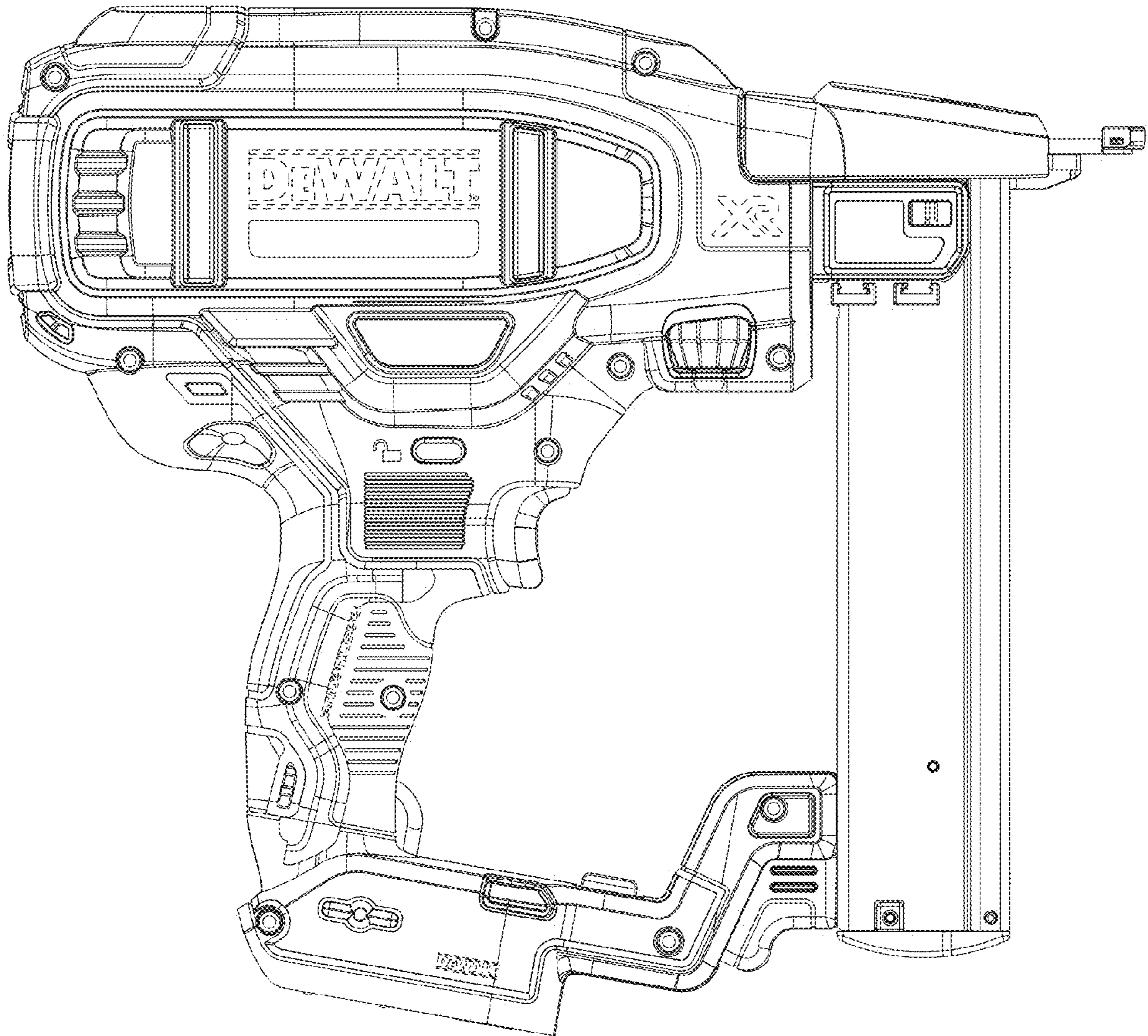


FIG. 4

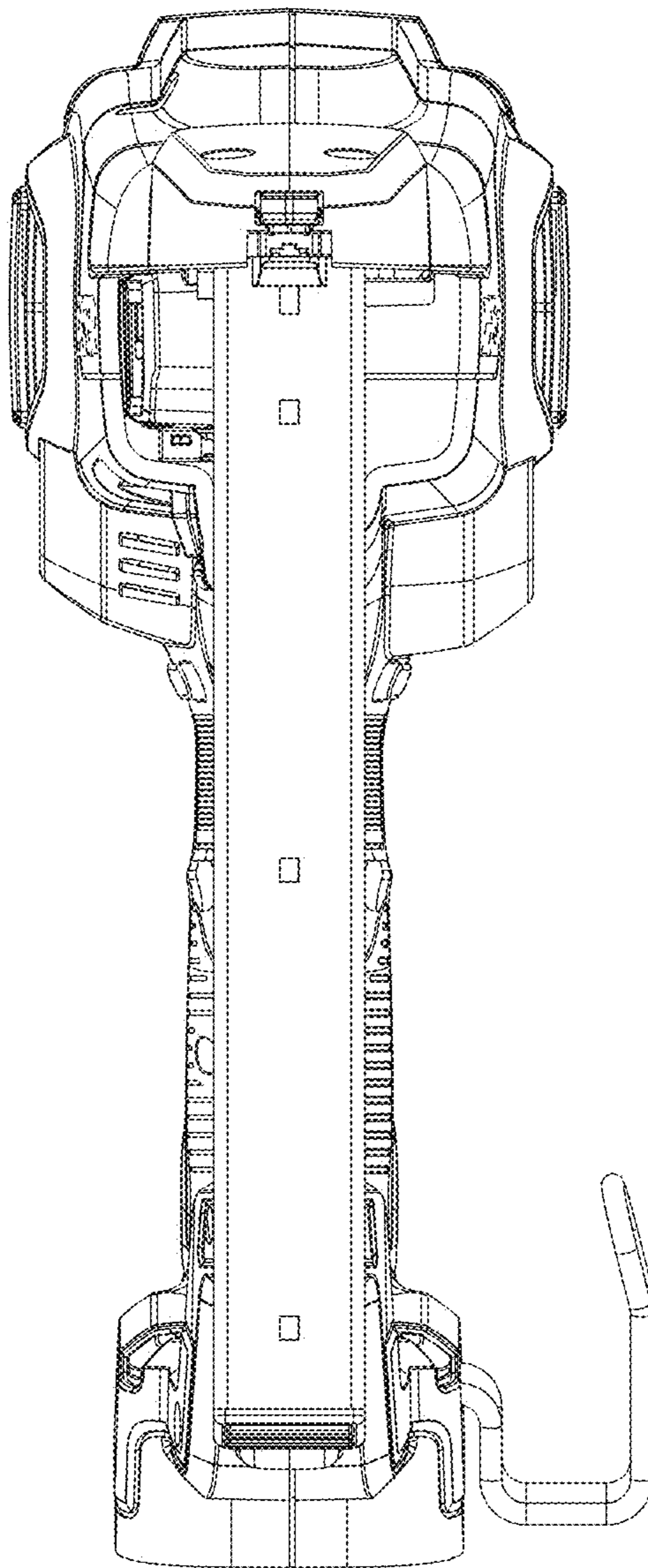


FIG. 5

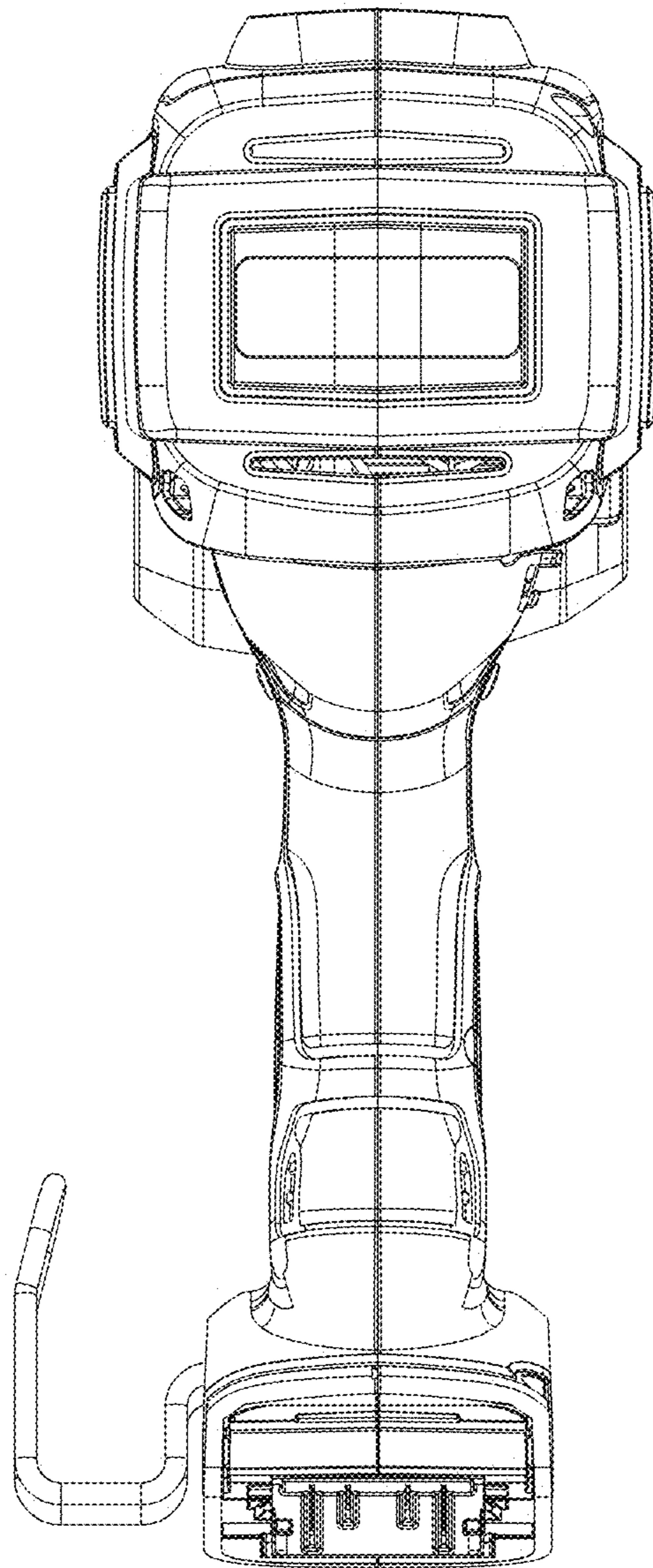


FIG. 6

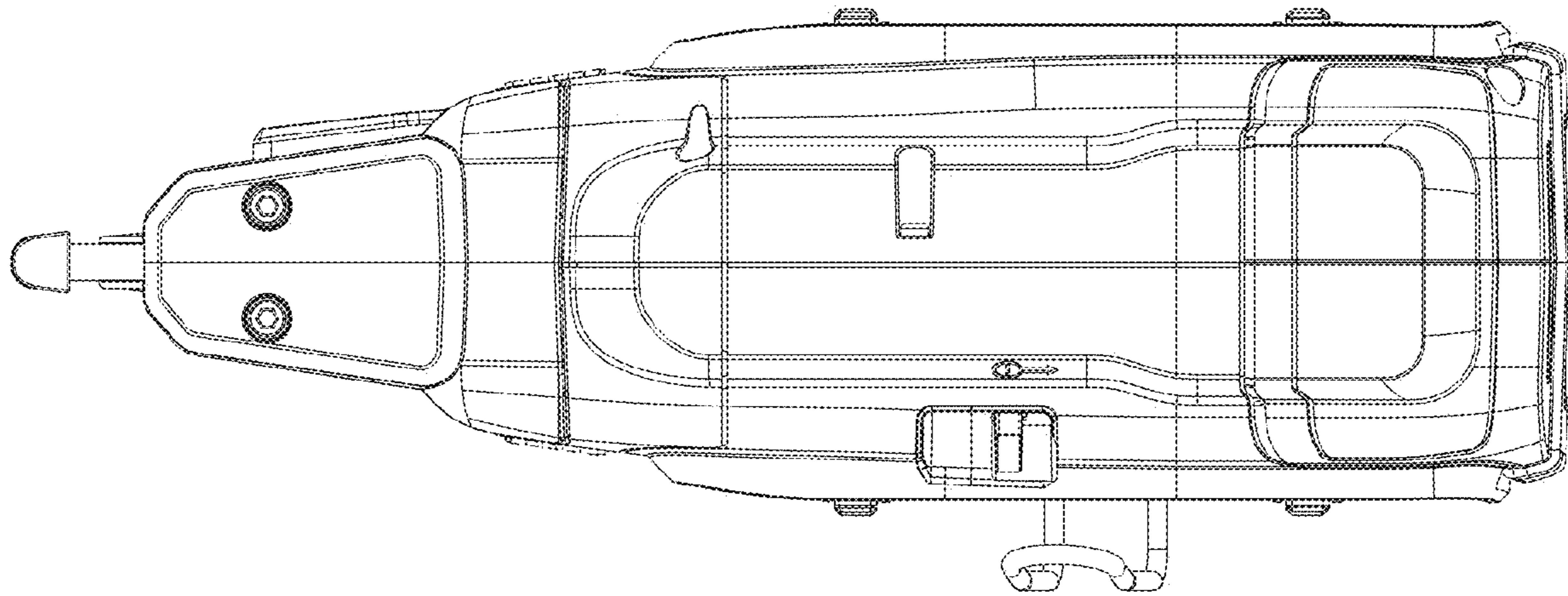


FIG. 7

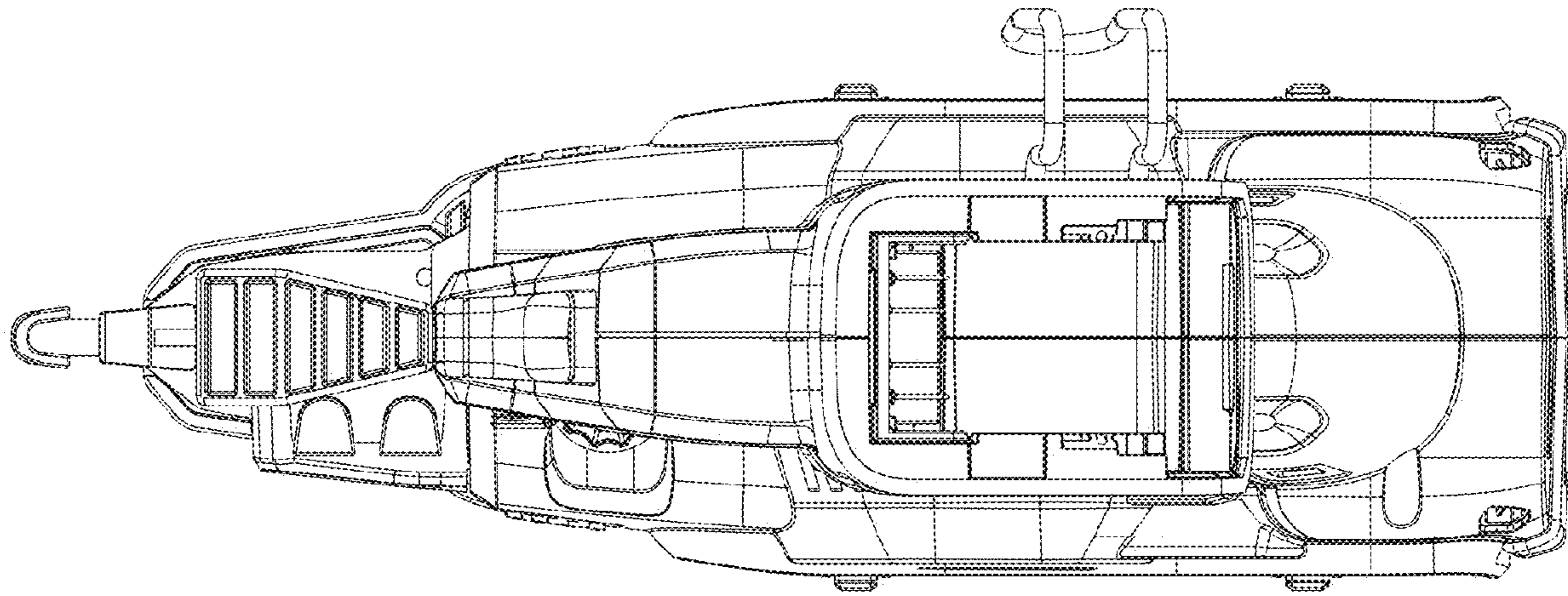


FIG. 8