



US00D911138S

(12) **United States Design Patent**
Concari

(10) **Patent No.:** **US D911,138 S**

(45) **Date of Patent:** **** Feb. 23, 2021**

(54) **CORDLESS NAILER**

(71) Applicant: **BLACK & DECKER INC.**, New Britain, CT (US)

(72) Inventor: **Gabriel E. Concari**, Eldersburg, MD (US)

(73) Assignee: **Black & Decker, Inc.**, New Britain, CT (US)

(**) Term: **15 Years**

(21) Appl. No.: **29/718,411**

(22) Filed: **Dec. 24, 2019**

D438,769	S	*	3/2001	Deziel	D8/49
D475,597	S	*	6/2003	Arai	D8/68
6,913,180	B2	*	7/2005	Schuster	B25C 1/005 227/109
6,929,165	B1	*	8/2005	Chen	B25C 1/008 227/142
D512,622	S	*	12/2005	Thomas	D8/69
D517,886	S	*	3/2006	Thomas	D8/69
D553,931	S	*	10/2007	Buck	D8/68
D563,748	S	*	3/2008	Li	D8/68
D572,556	S	*	7/2008	Leasure	D8/69
D575,608	S	*	8/2008	Buck	D8/69
D591,131	S	*	4/2009	Buck	D8/68
D677,544	S	*	3/2013	Jerabek	D8/68
D678,027	S	*	3/2013	Jerabek	D8/68
D680,400	S	*	4/2013	Jerabek	D8/68
D717,625	S	*	11/2014	Martone	D8/68
D852,014	S	*	6/2019	Kirkpatrick	D8/68
D852,015	S	*	6/2019	Kirkpatrick	D8/68

(Continued)

Related U.S. Application Data

(63) Continuation of application No. 29/603,047, filed on May 5, 2017, now Pat. No. Des. 873,105, which is a continuation-in-part of application No. 29/620,368, filed on Nov. 7, 2016, now Pat. No. Des. 817,734.

(51) **LOC (13) Cl.** **08-05**

(52) **U.S. Cl.**
USPC **D8/68**

(58) **Field of Classification Search**
USPC D8/61-70
CPC .. B25C 1/001; B25C 1/04; B25C 1/06; B25C 1/041; B25C 1/047
See application file for complete search history.

(56) **References Cited**

U.S. PATENT DOCUMENTS

3,542,273	A	*	11/1970	Hedrick	B25C 1/041 227/130
4,346,831	A	*	8/1982	Haytayan	B25C 1/001 227/8
D316,022	S	*	4/1991	Moraht	D8/68
D323,272	S	*	1/1992	Dion	D8/49
D419,048	S	*	1/2000	Batts, Jr.	D8/61

Primary Examiner — Darlington Ly

(74) *Attorney, Agent, or Firm* — Rhonda Barton

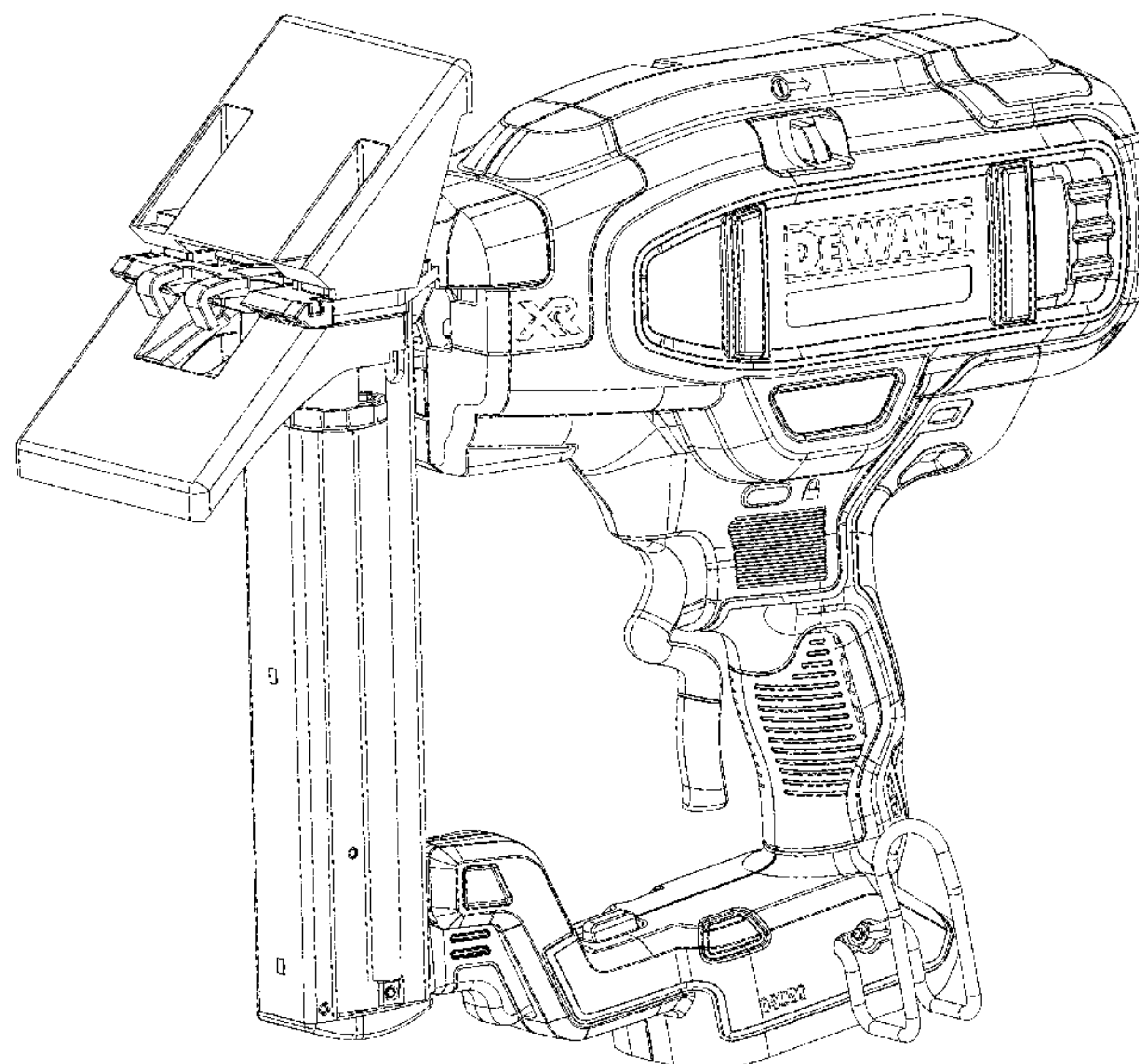
(57) **CLAIM**

The ornamental design for a cordless nailer, as shown and described.

DESCRIPTION

FIG. 1 is a top and right-side perspective view of a cordless nailer showing our new design;
FIG. 2 is a top and left-side perspective view of the design of FIG. 1;
FIG. 3 is a right-side elevation view thereof;
FIG. 4 is a left-side elevation view thereof;
FIG. 5 is a front elevation view thereof;
FIG. 6 is a rear elevation view thereof;
FIG. 7 is a top plan view thereof; and,
FIG. 8 is a bottom plan view thereof.
The broken lines in the drawings illustrate portions of the cordless nailer that form no part of the claimed design.

1 Claim, 8 Drawing Sheets



(56)

References Cited

U.S. PATENT DOCUMENTS

2006/0261129 A1* 11/2006 McGee F16B 7/105
227/148
2007/0057013 A1* 3/2007 Deziel B25C 7/00
227/147

* cited by examiner

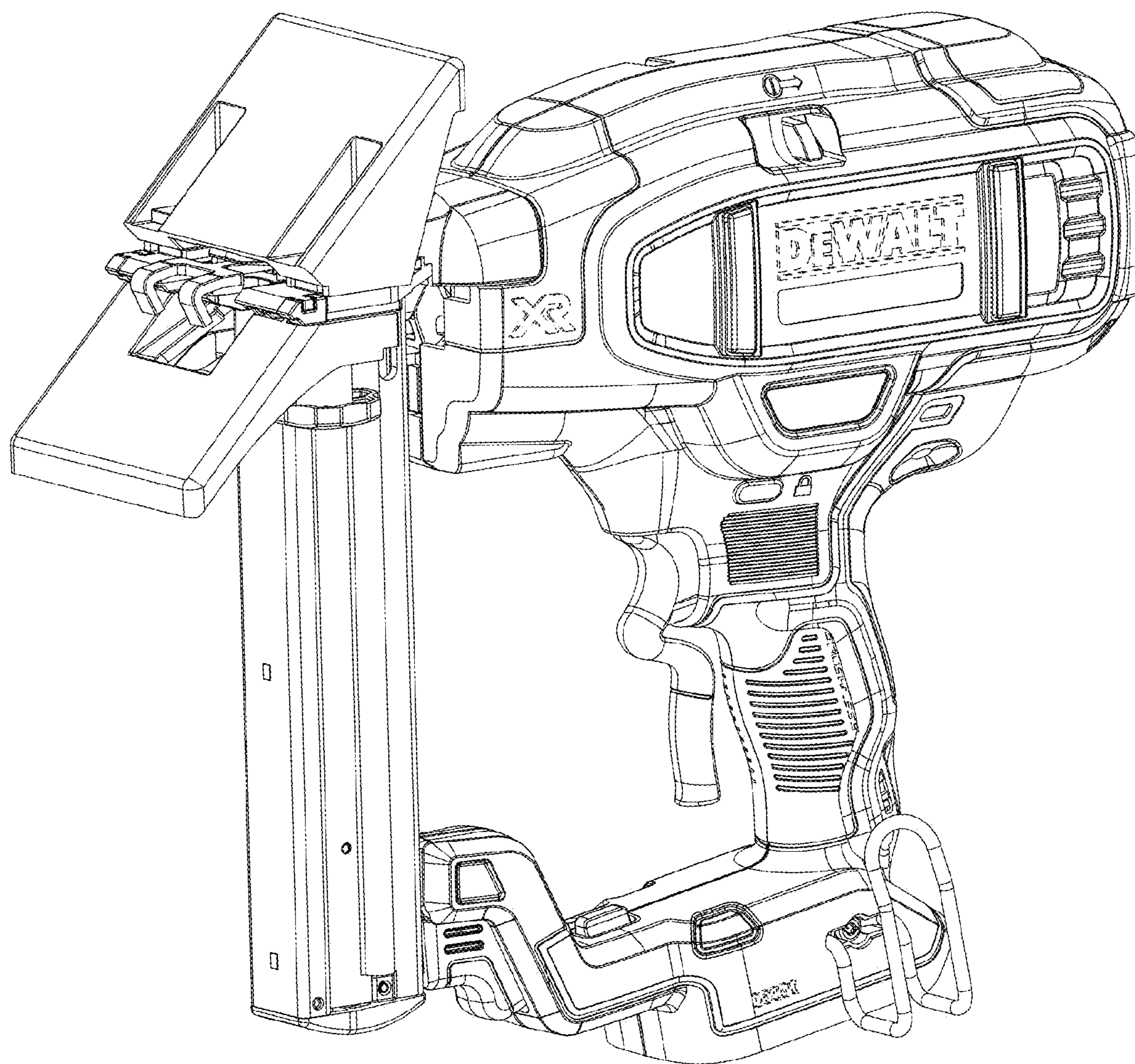


FIG. 1

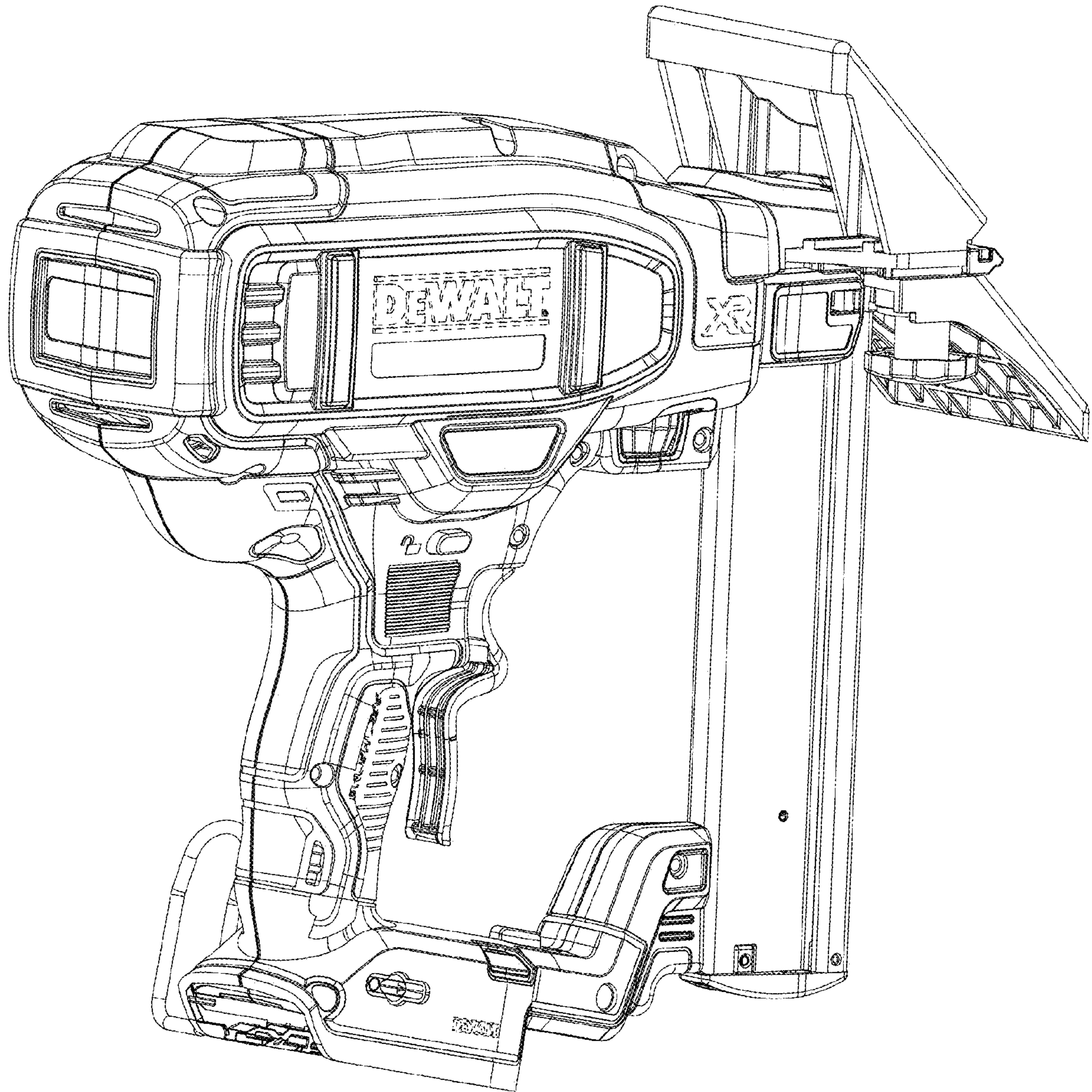


FIG. 2

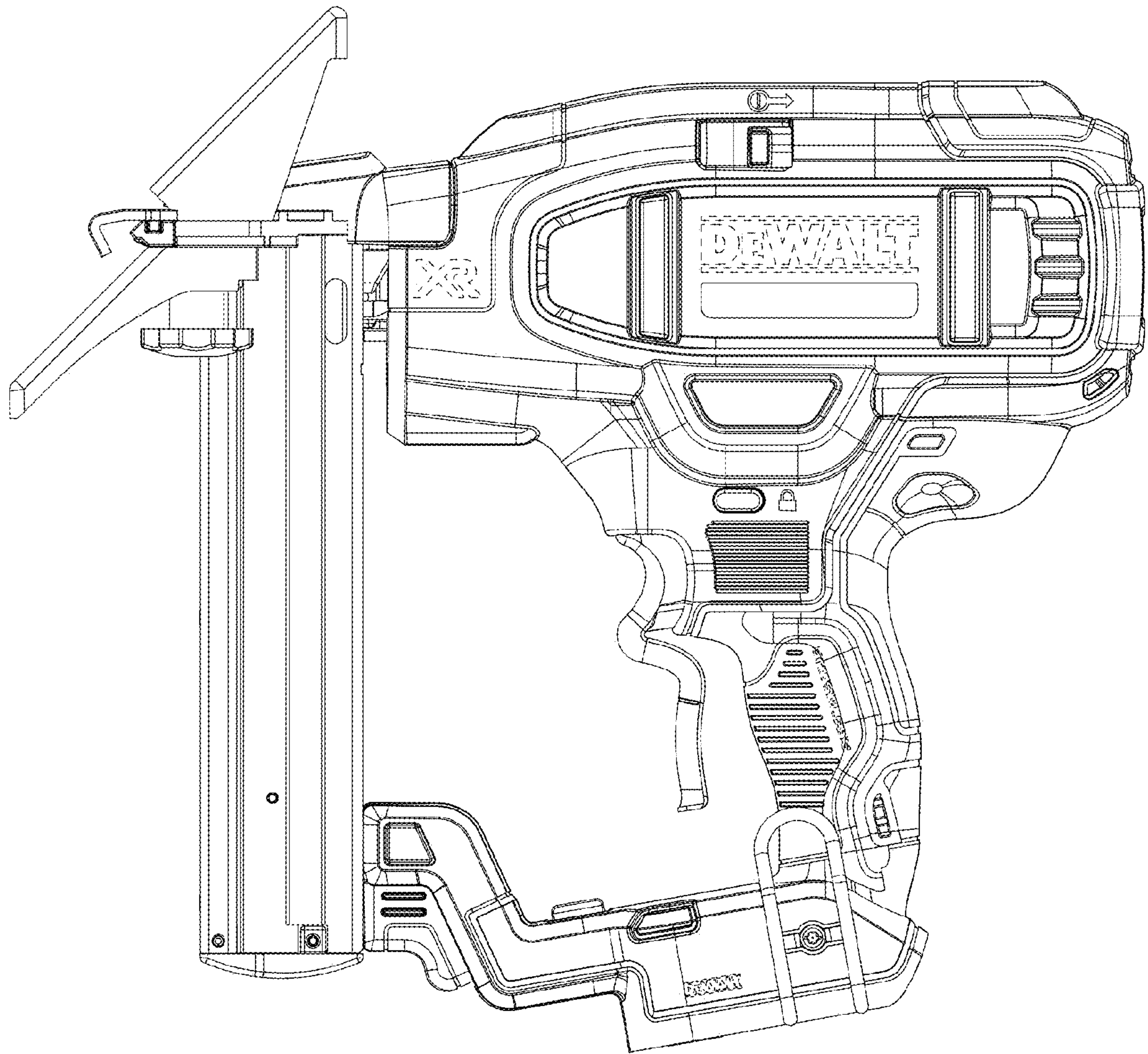


FIG. 3

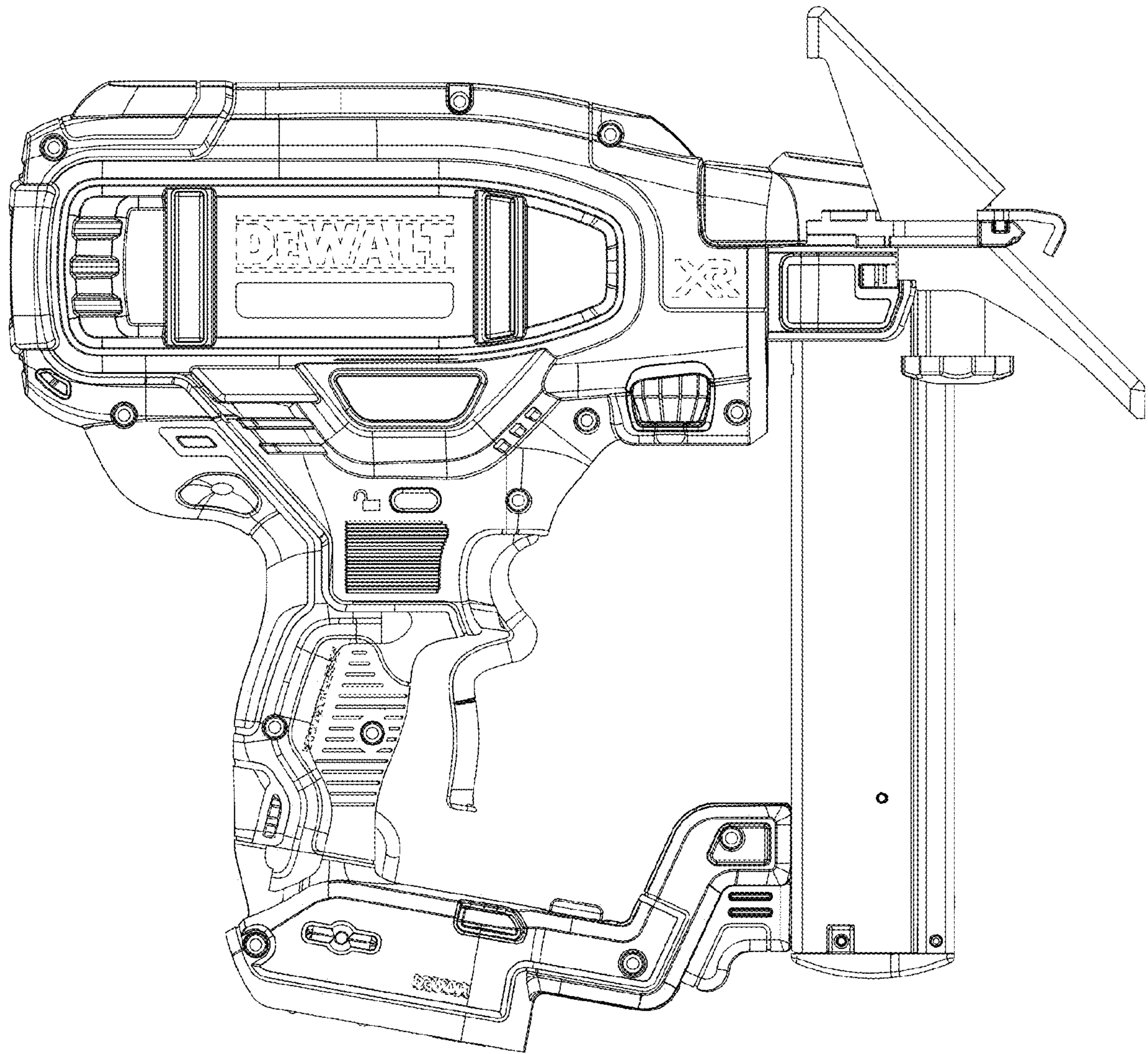


FIG. 4

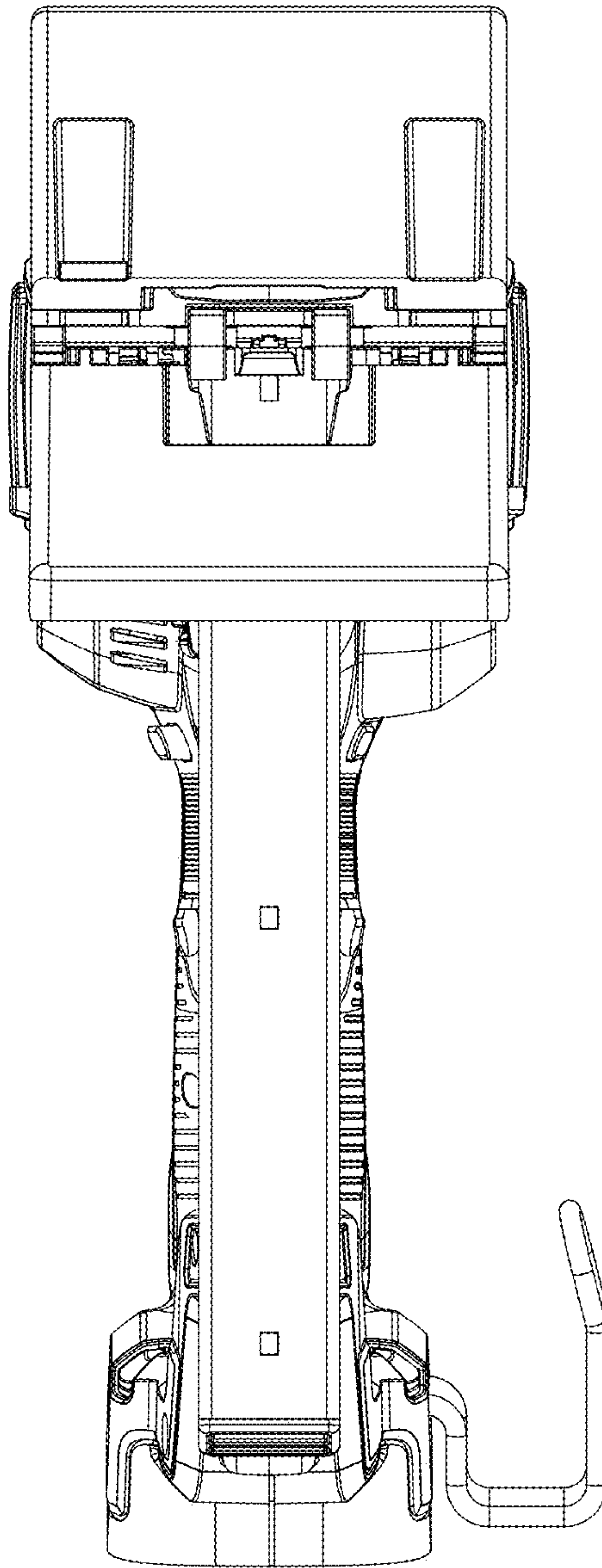


FIG. 5

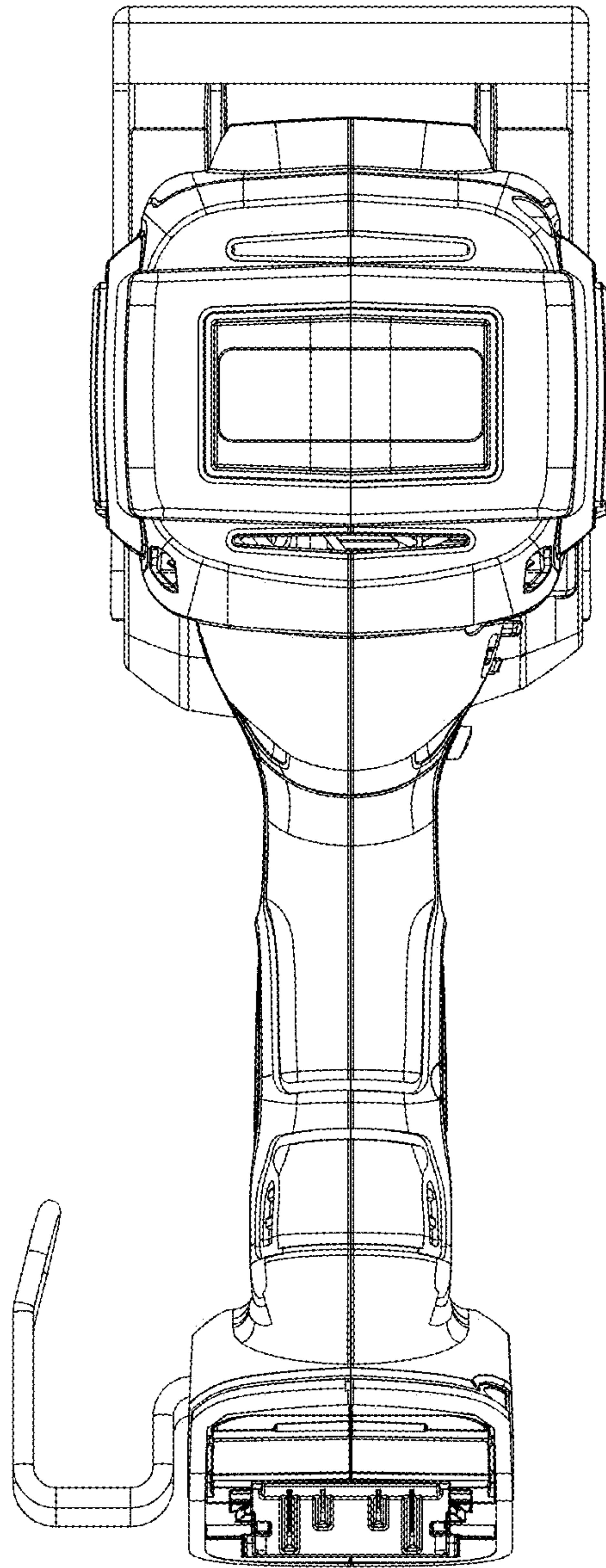


FIG. 6

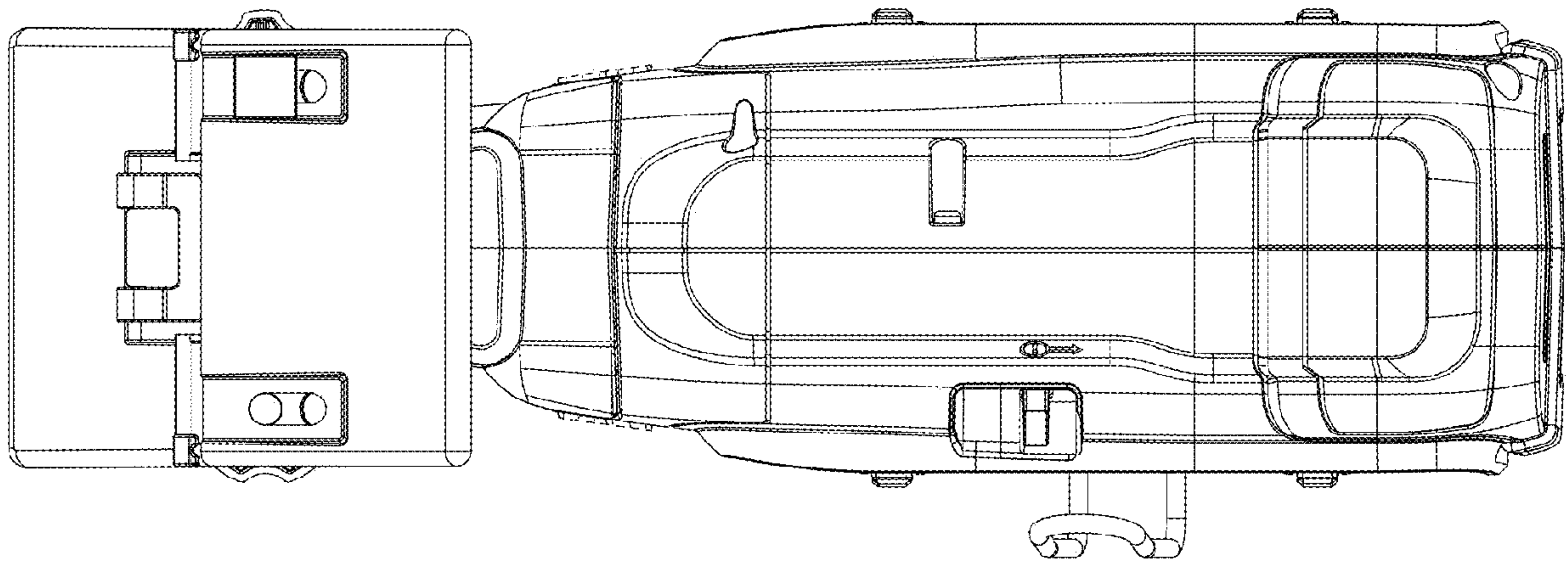


FIG. 7

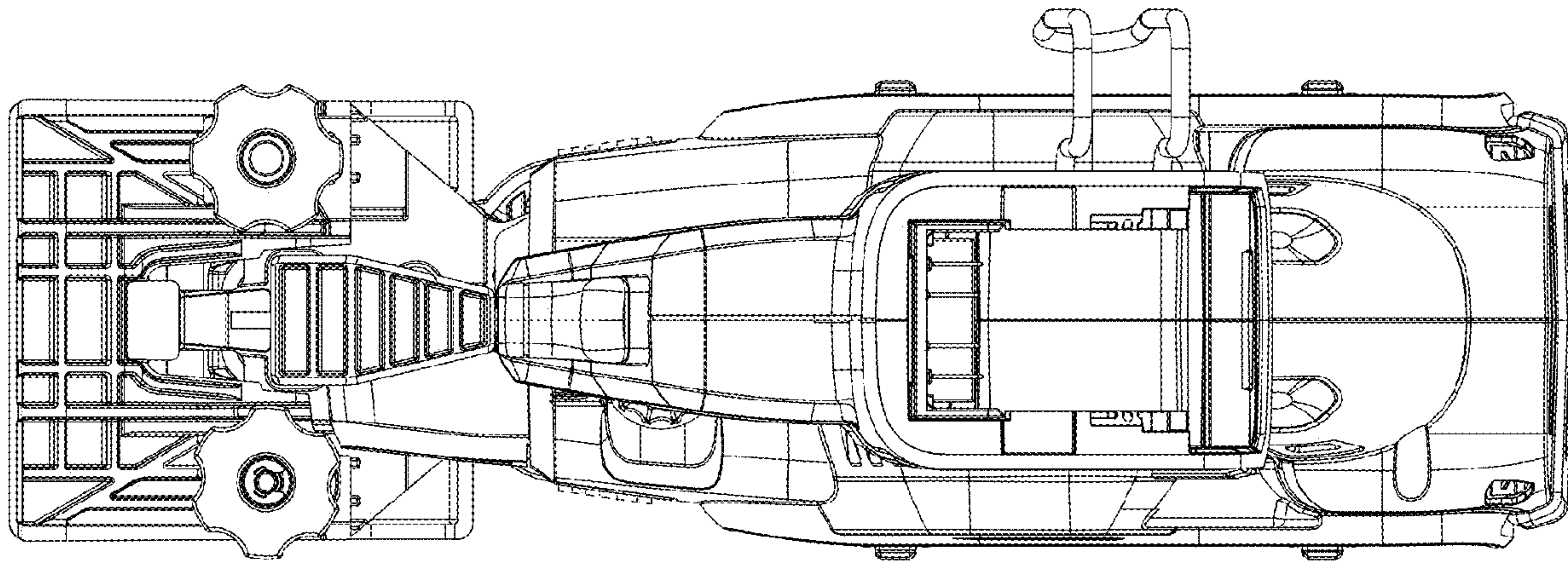


FIG. 8