



US00D911135S

(12) **United States Design Patent**
Petzl

(10) **Patent No.:** **US D911,135 S**

(45) **Date of Patent:** **** Feb. 23, 2021**

(54) **FOLDING HOOK TOOL**

(71) Applicant: **ZEDEL**, Crolles (FR)

(72) Inventor: **Paul Petzl**, Barraux (FR)

(73) Assignee: **ZEDEL**, Crolles (FR)

(**) Term: **15 Years**

(21) Appl. No.: **29/699,528**

(22) Filed: **Jul. 26, 2019**

(30) **Foreign Application Priority Data**

Mar. 7, 2019 (EM) 006291076

(51) **LOC (13) Cl.** **08-05**

(52) **U.S. Cl.**

USPC **D8/14; D8/99**

(58) **Field of Classification Search**

USPC D8/14, 21, 98, 99, 105; D22/118

CPC A63B 29/08; A63B 69/0048; B25F 1/00;

B25F 1/04

See application file for complete search history.

(56) **References Cited**

U.S. PATENT DOCUMENTS

D246,281 S * 11/1977 Ferrara, Jr. D7/649

4,108,026 A * 8/1978 Anderson A63B 29/08

29/278

D353,685 S * 12/1994 Ido D28/45

5,611,615 A * 3/1997 Jang A63B 29/08

362/109

6,402,763 B1 * 6/2002 Scott A61B 17/50

30/155

D522,341 S * 6/2006 Ayrest D8/99

D637,876 S * 5/2011 Williams D8/20

2017/0080260 A1 * 3/2017 Pettey A62B 1/14

* cited by examiner

Primary Examiner — Philip S Hyder

(74) *Attorney, Agent, or Firm* — Oliff PLC

(57) **CLAIM**

The ornamental design for a folding hook tool, as shown and described.

DESCRIPTION

FIG. 1 is a front, left-side, bottom perspective view of the folding hook tool;

FIG. 2 is a left-side elevational view thereof;

FIG. 3 is a right-side elevational view thereof;

FIG. 4 is a rear elevational view thereof;

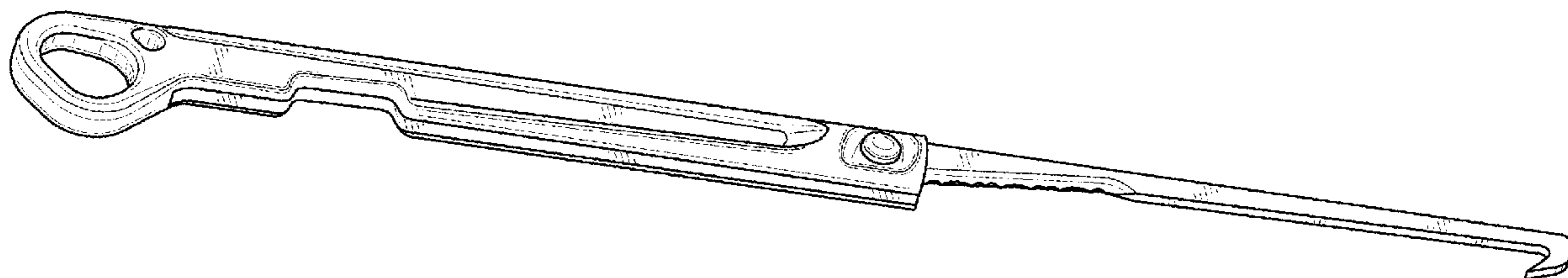
FIG. 5 is a front elevational view thereof;

FIG. 6 is a top plan view thereof;

FIG. 7 is a bottom plan view thereof; and,

FIG. 8 is a rear, right-side, bottom perspective view thereof.

1 Claim, 5 Drawing Sheets



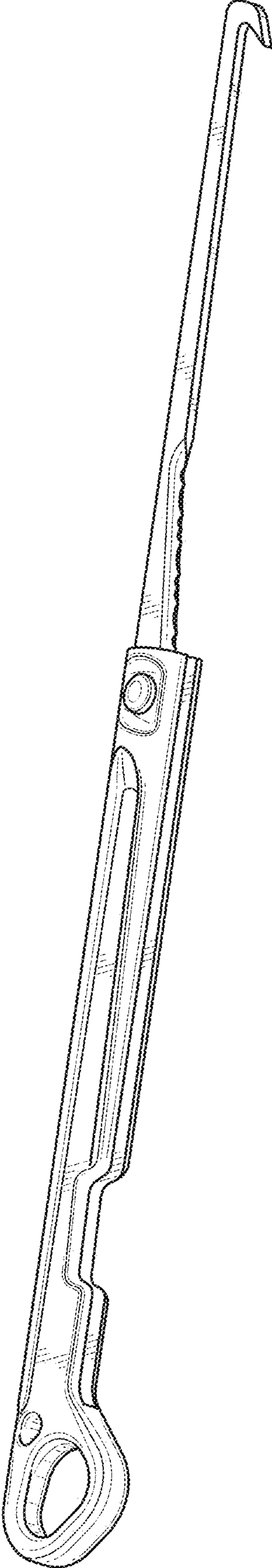


FIG. 1

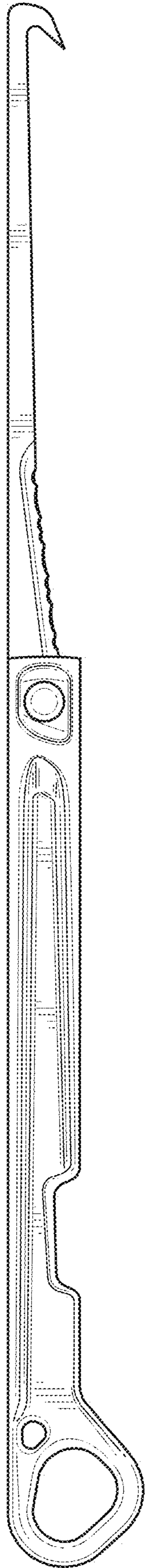


FIG. 2

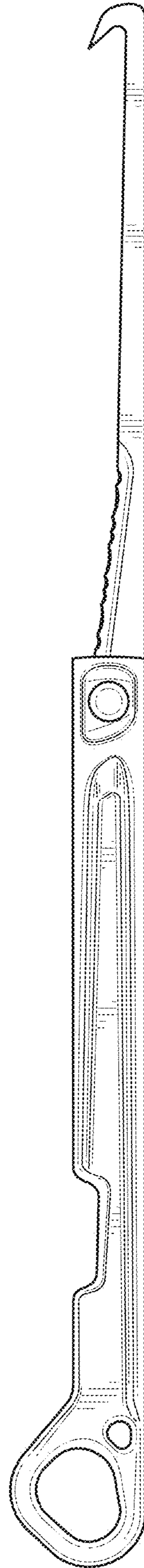


FIG. 3

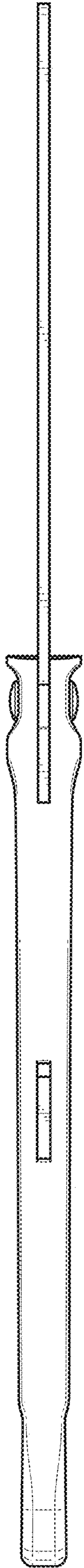


FIG. 4

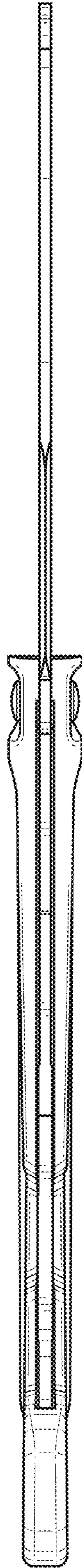


FIG. 5

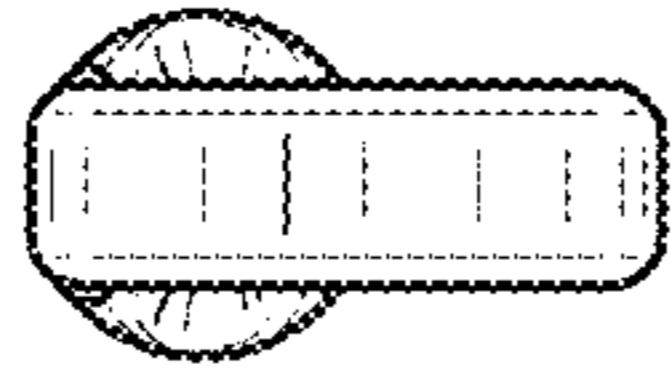


FIG. 7

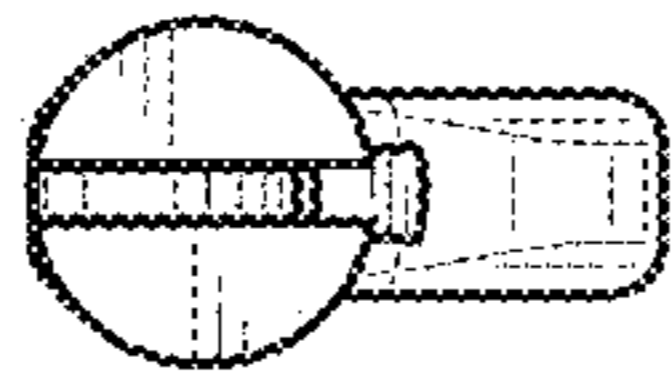


FIG. 6

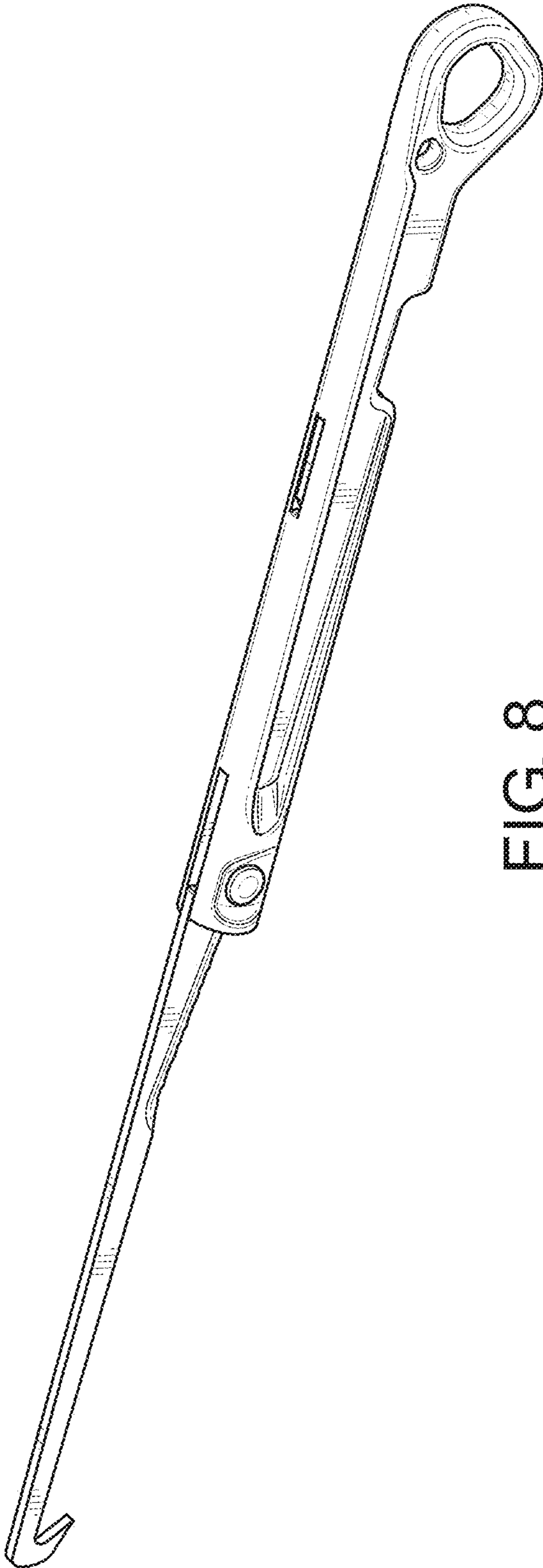


FIG. 8