



US00D911133S

(12) **United States Design Patent**
Ruppert

(10) **Patent No.:** **US D911,133 S**

(45) **Date of Patent:** **** Feb. 23, 2021**

- (54) **ONE-HANDED SHOVEL**
- (71) Applicant: **Jonathan Paul Ruppert**, Walton, KY
(US)
- (72) Inventor: **Jonathan Paul Ruppert**, Walton, KY
(US)
- (**) Term: **15 Years**
- (21) Appl. No.: **29/702,326**
- (22) Filed: **Aug. 19, 2019**
- (51) **LOC (13) Cl.** **08-01**
- (52) **U.S. Cl.**
USPC **D8/10**
- (58) **Field of Classification Search**
USPC D8/1, 10, 107
CPC A01B 1/04; A01B 1/02; A01B 1/12; A01B
1/18; A01B 1/026; E01H 5/02
See application file for complete search history.

- 5,114,199 A * 5/1992 Newcomer A01B 1/00
294/118
- 6,338,512 B1 * 1/2002 Ruppert A01B 1/02
294/50.8
- 7,832,125 B1 * 11/2010 Palmby A01C 5/02
37/302

* cited by examiner

Primary Examiner — Sheryl Lane
Assistant Examiner — Calvin E Vansant
(74) *Attorney, Agent, or Firm* — Dale J. Ream

(57) **CLAIM**

The ornamental design for a one-handed shovel, as shown and described.

DESCRIPTION

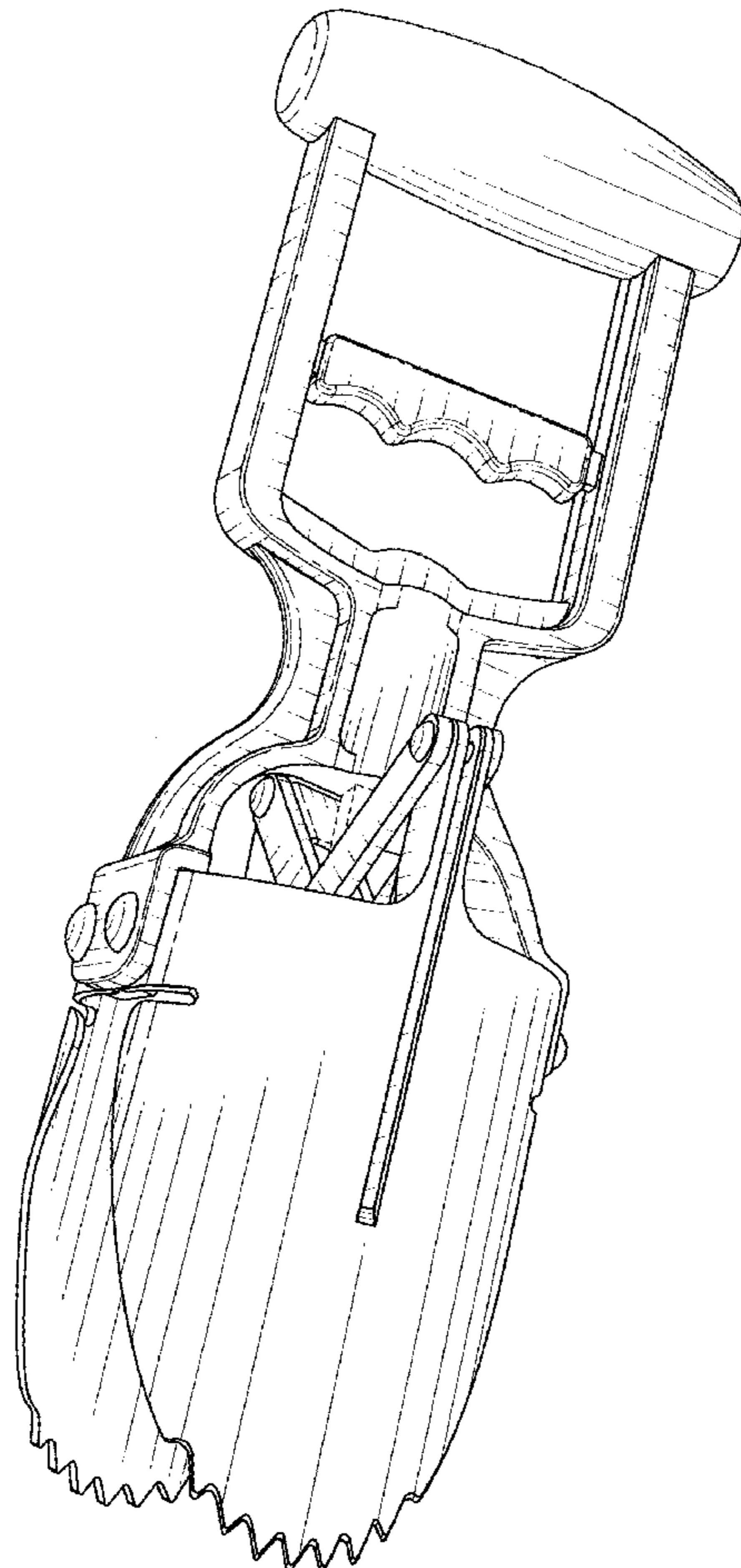
FIG. 1 is a perspective view of a one-handed shovel showing my new design;
FIG. 2 is a front view, with the rear view being a mirror image thereof;
FIG. 3 is a right side view, with the left side view being a mirror image thereof;
FIG. 4 is a top plan view thereof; and,
FIG. 5 is a bottom plan view thereof.
The broken lines depict portions of the one-handed shovel that form no part of the claimed design.

(56) **References Cited**

U.S. PATENT DOCUMENTS

- 2,823,060 A * 2/1958 Sullivan A01C 5/02
294/50.9
- D311,308 S * 10/1990 Roman D8/1

1 Claim, 3 Drawing Sheets



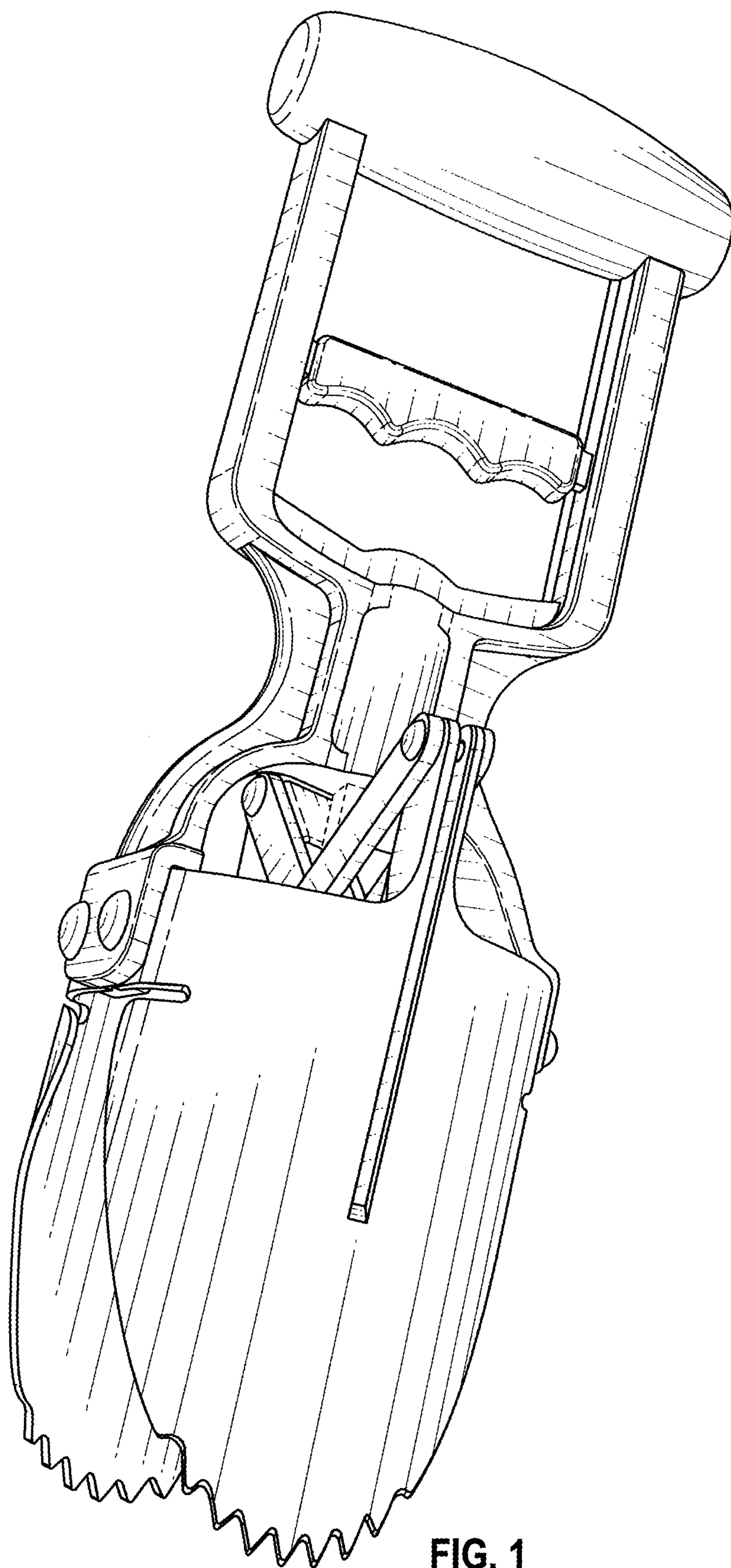


FIG. 1

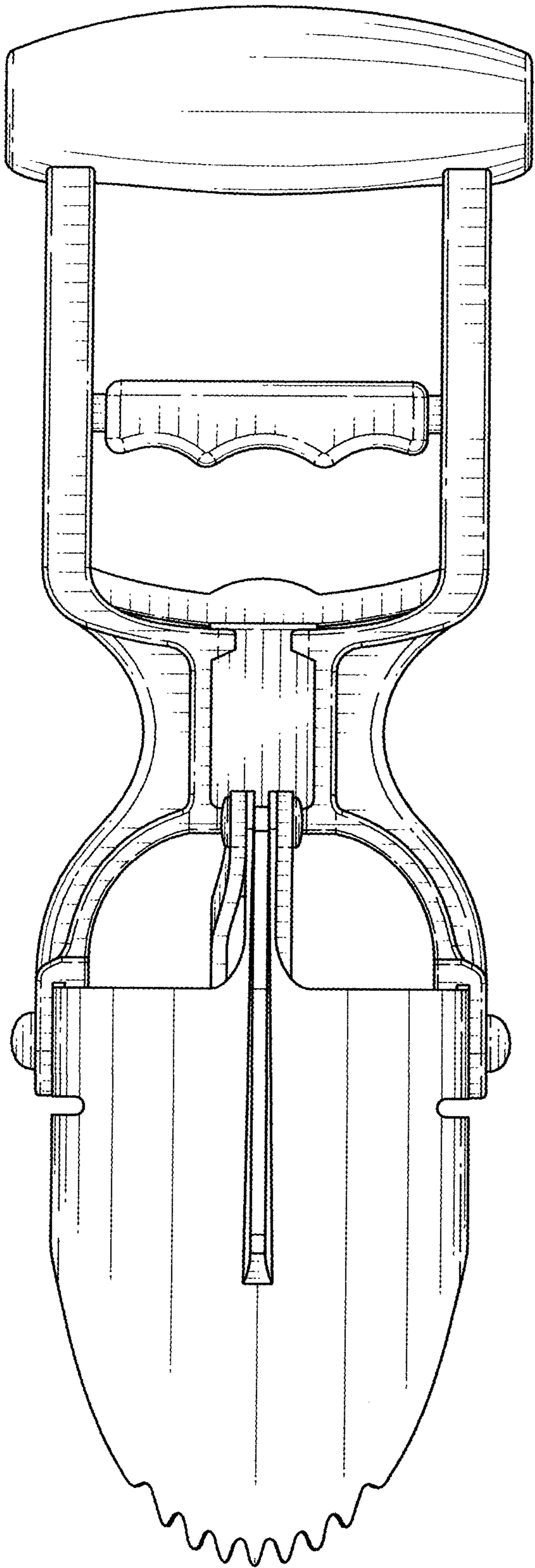


FIG. 2

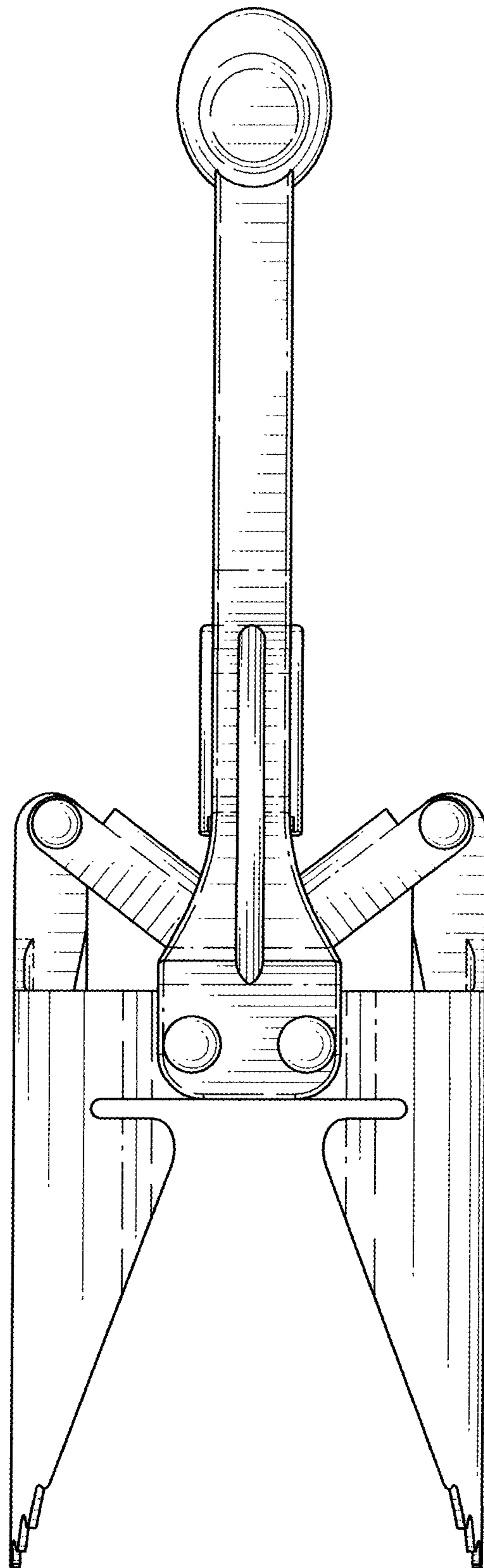


FIG. 3

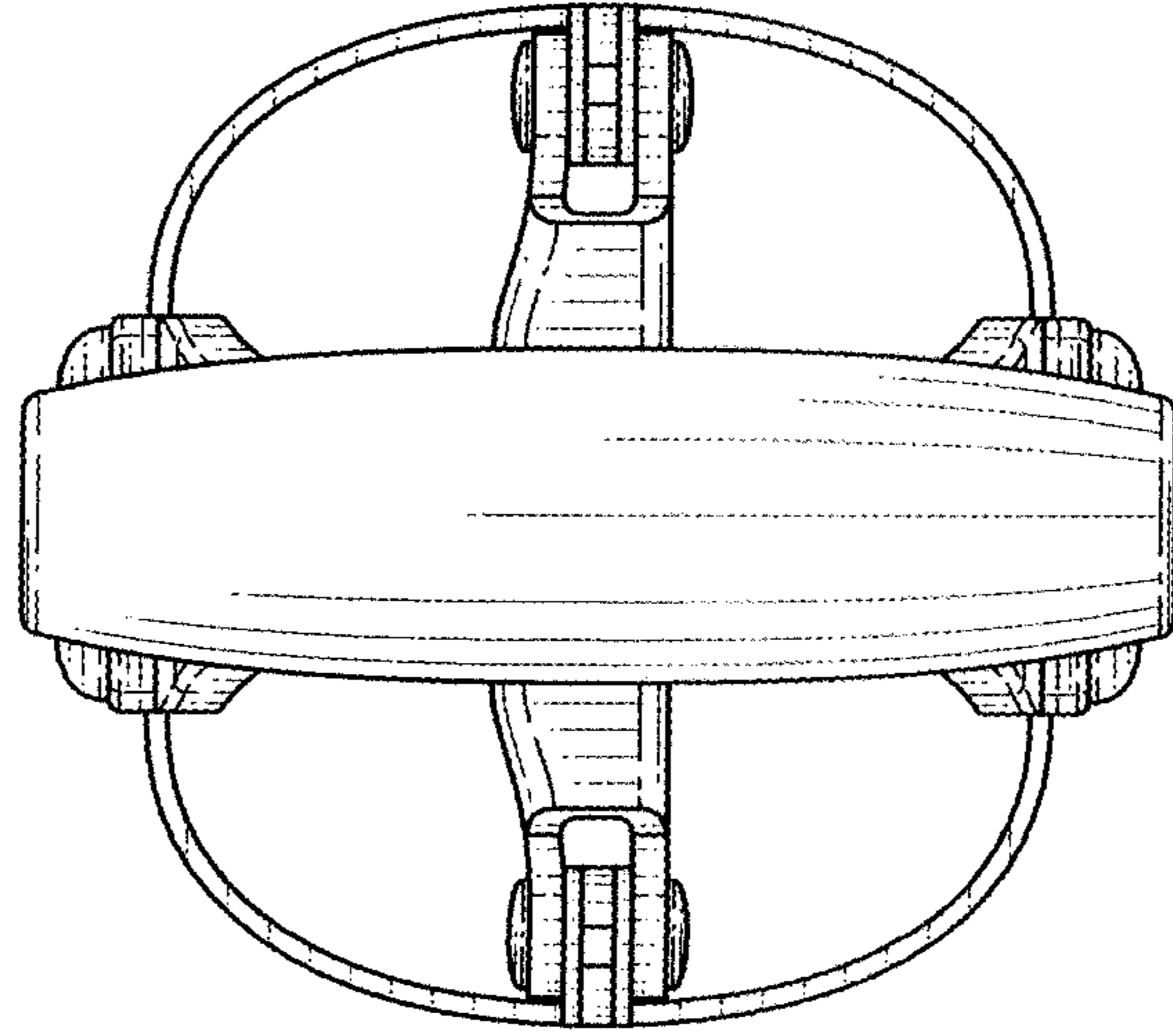


FIG. 4

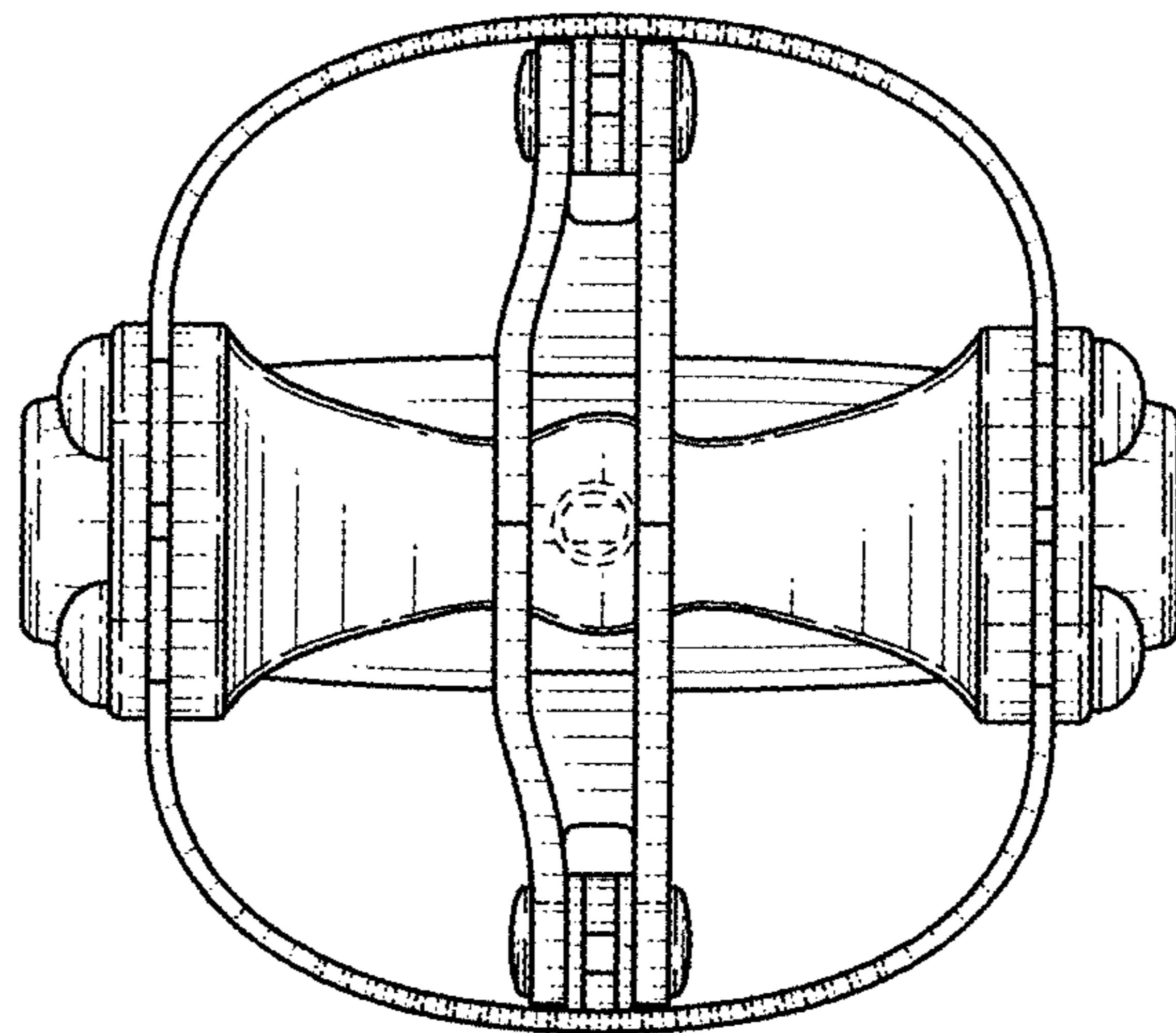


FIG. 5