



US00D911131S

(12) **United States Design Patent**
Gong

(10) **Patent No.:** **US D911,131 S**

(45) **Date of Patent:** **** Feb. 23, 2021**

(54) **COLLAPSIBLE MULTI-FUNCTION CUTTING BOARD**

D638,266 S * 5/2011 Shamoan D7/698
D645,311 S * 9/2011 Shamoan D7/698
D689,733 S * 9/2013 Parr D7/360

(71) Applicant: **Li Gong**, Shenzhen (CN)

* cited by examiner

(72) Inventor: **Li Gong**, Shenzhen (CN)

Primary Examiner — Ricky Pham

(73) Assignee: **Shenzhen Minglight Co., Ltd.**,
Shenzhen (CN)

(57) **CLAIM**

(**) Term: **15 Years**

The ornamental design for a collapsible multi-function cutting board, as shown and described.

(21) Appl. No.: **29/703,172**

DESCRIPTION

(22) Filed: **Aug. 25, 2019**

(51) **LOC (13) Cl.** **07-04**

(52) **U.S. Cl.**
USPC **D7/698**; D7/699

(58) **Field of Classification Search**
USPC D7/360, 543, 549, 550.1, 586, 698-699;
D32/55-57
CPC A47J 47/00; A47J 47/005; A47J 47/20;
B26D 7/0006; B26D 7/018; B26D 7/20;
B23D 21/00; B23K 37/04; B23K 37/053;
B23Q 16/001
See application file for complete search history.

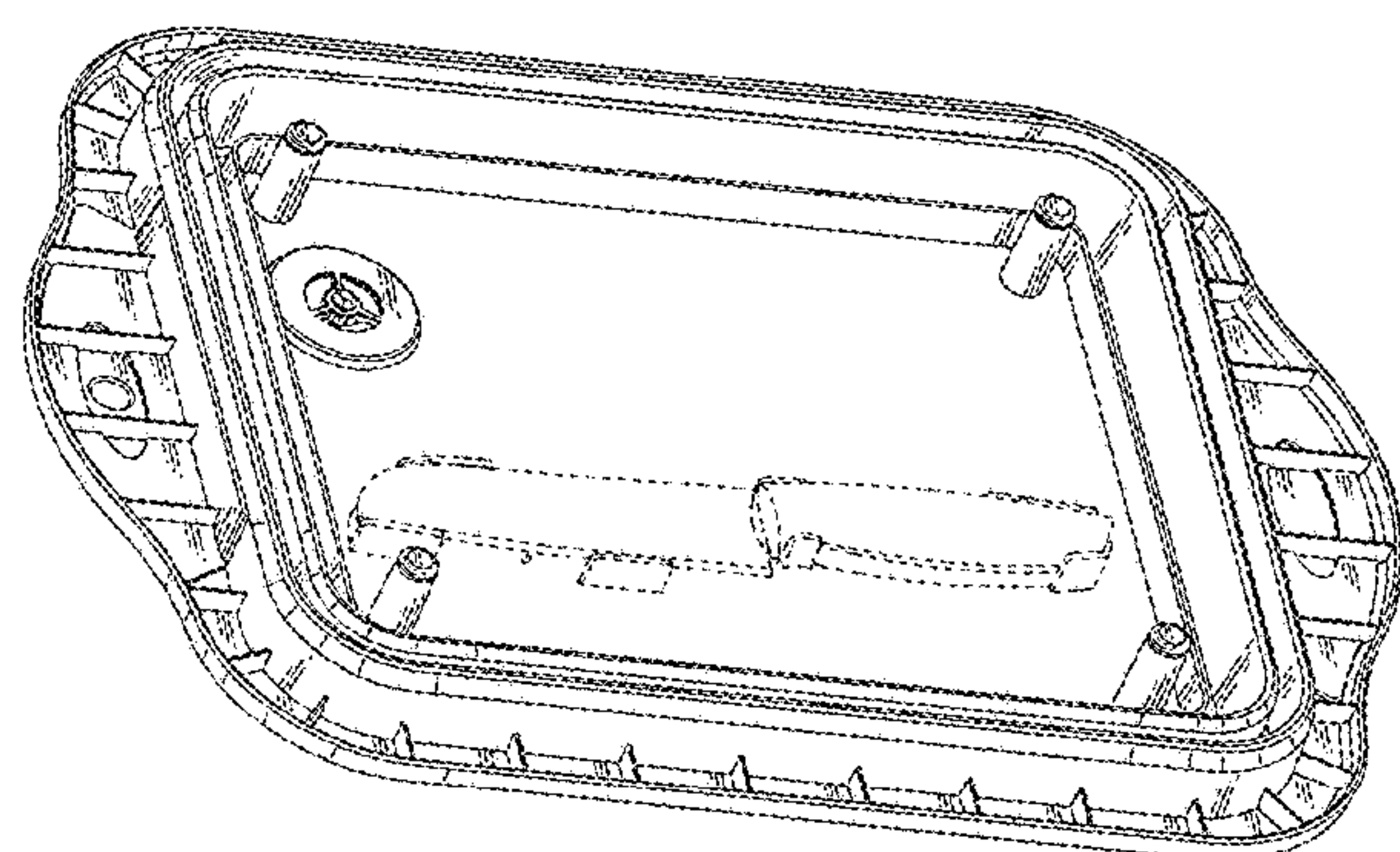
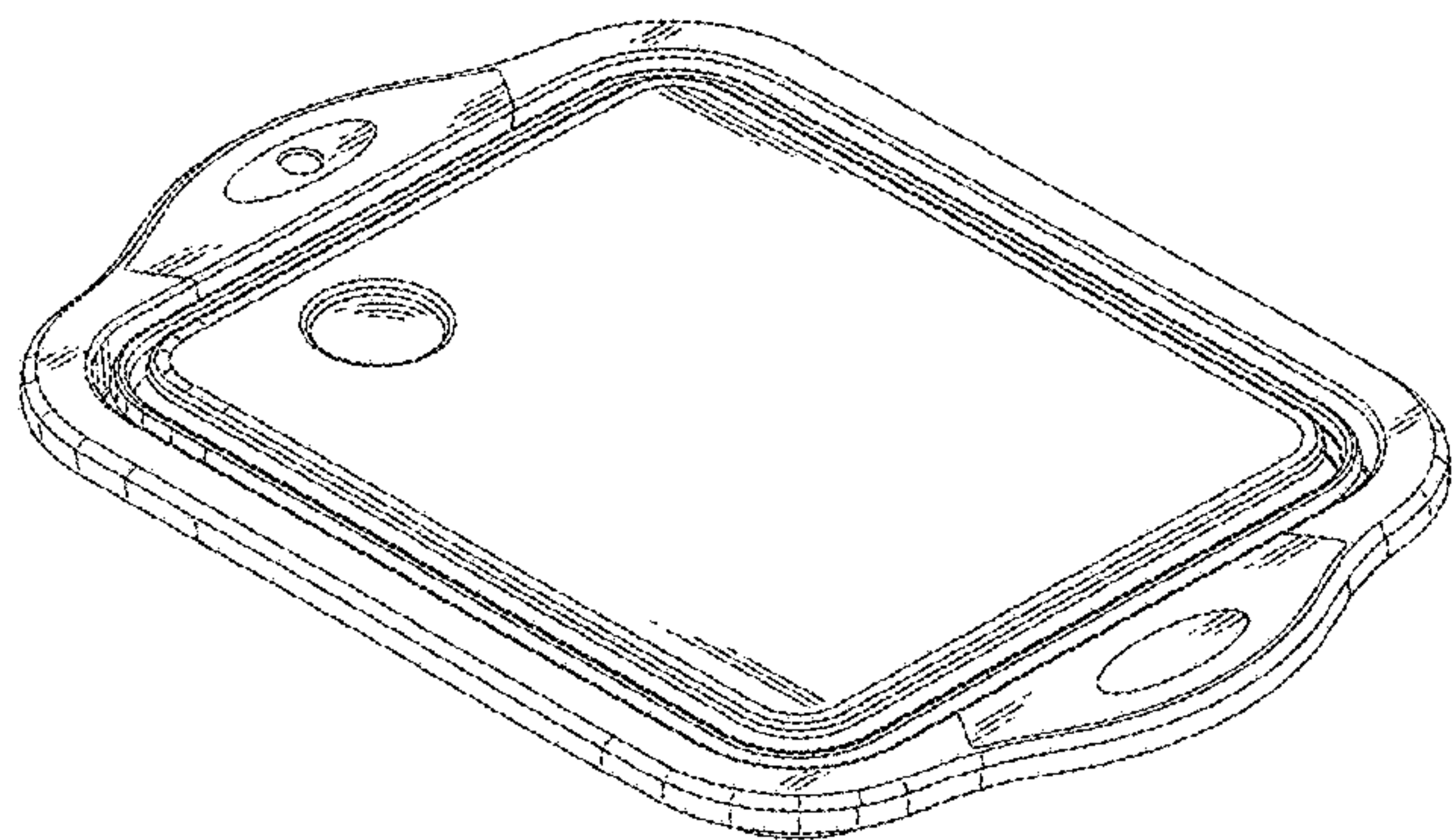
FIG. 1 is a top perspective view of a collapsible multi-function cutting board in a folded state showing my new design;
FIG. 2 is a bottom perspective view of a collapsible multi-function cutting board in a folded state;
FIG. 3 is a front elevation view of FIG. 1, the rear elevation view is a mirror image of the front;
FIG. 4 is a left side elevation view of FIG. 1, the right side elevation view is a mirror image of the left side;
FIG. 5 is a top plan view of FIG. 1;
FIG. 6 is a bottom plan view of FIG. 1;
FIG. 7 is a top perspective view of a collapsible multi-function cutting board in an unfolded state;
FIG. 8 is a front elevation view of FIG. 7, the rear elevation view is a mirror image of the front; and,
FIG. 9 is a left side elevation view of FIG. 7, the right side elevation view is a mirror image of the left side.
The broken lines depict environment only and form no part of the claimed design.

(56) **References Cited**

U.S. PATENT DOCUMENTS

D470,712 S * 2/2003 Swinford D7/360
D471,398 S * 3/2003 Swinford D7/360
D556,522 S * 12/2007 Martinez D7/698
D558,541 S * 1/2008 Shamoan D7/667
D629,268 S * 12/2010 Shamoan D7/698

1 Claim, 9 Drawing Sheets



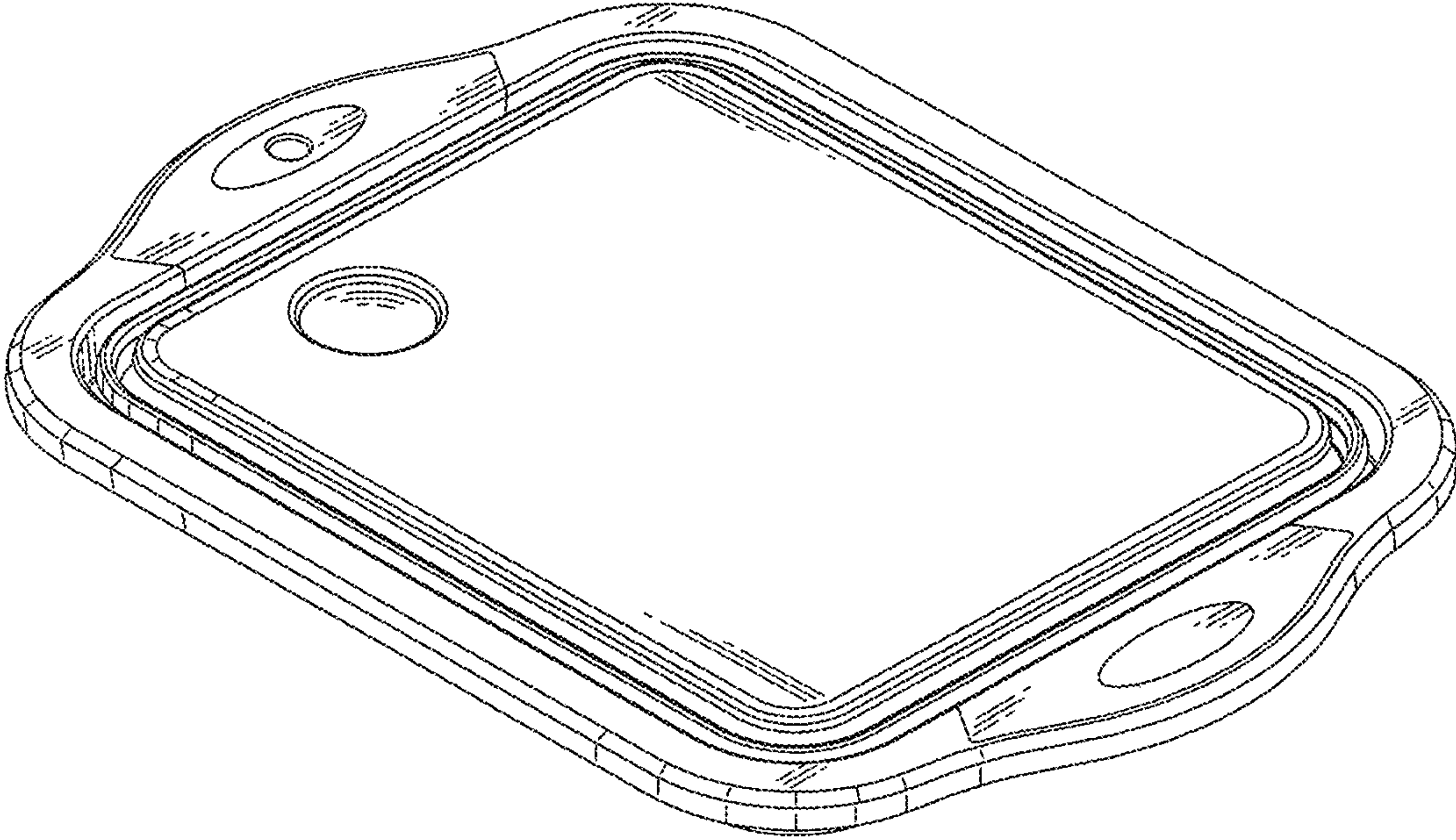


FIG.1

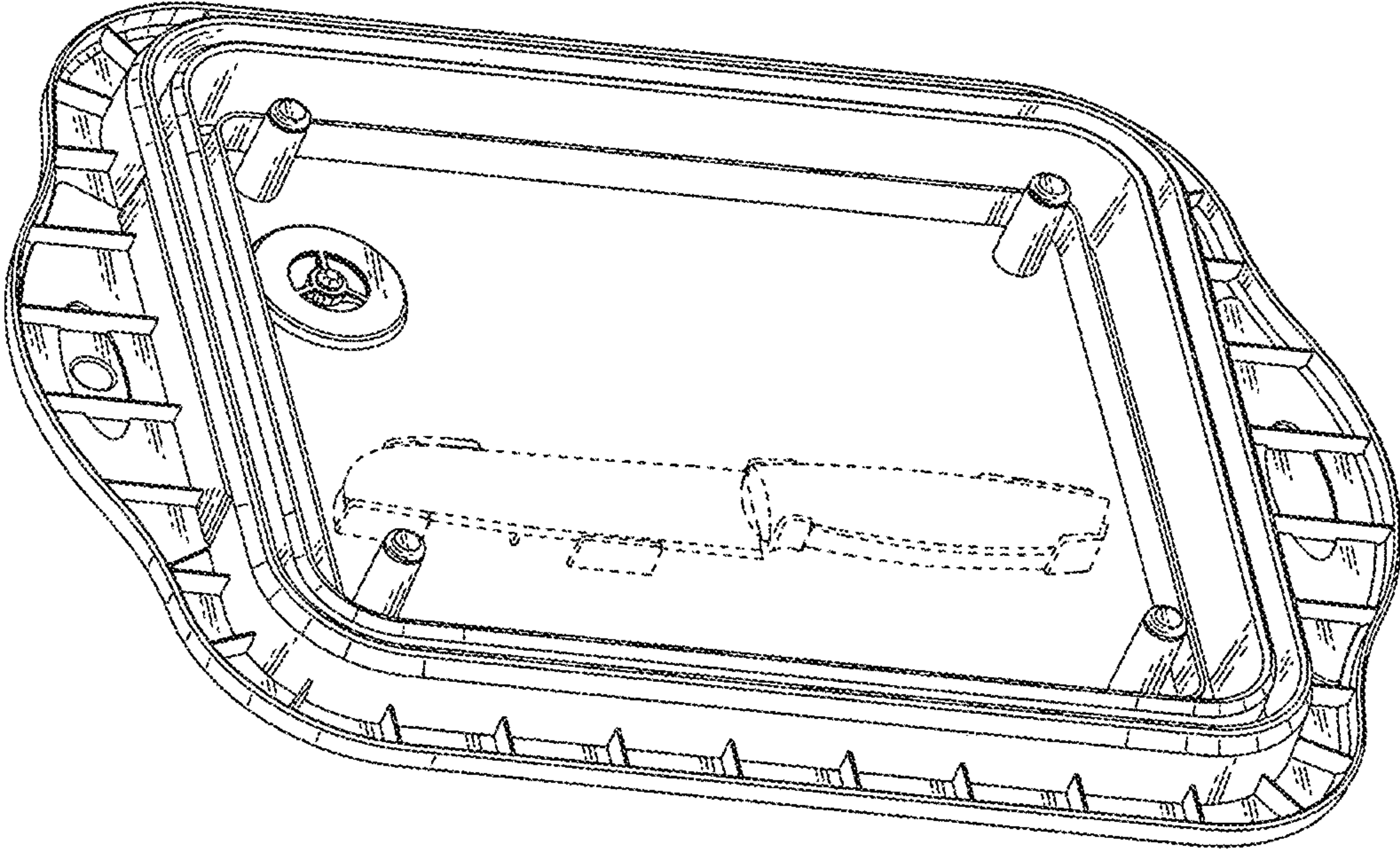


FIG.2

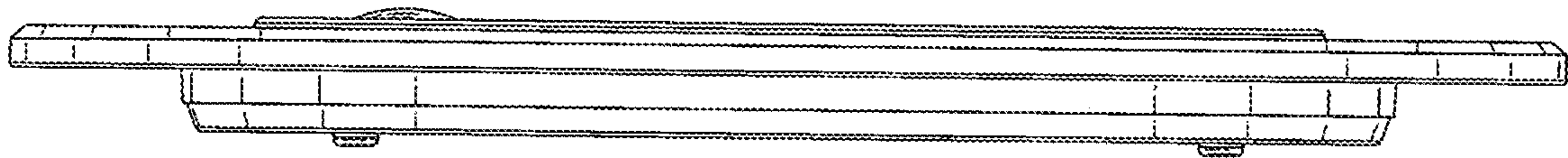


FIG.3

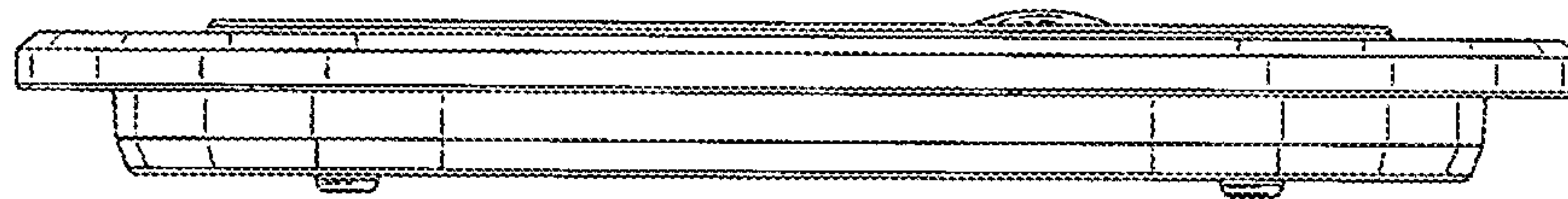


FIG.4

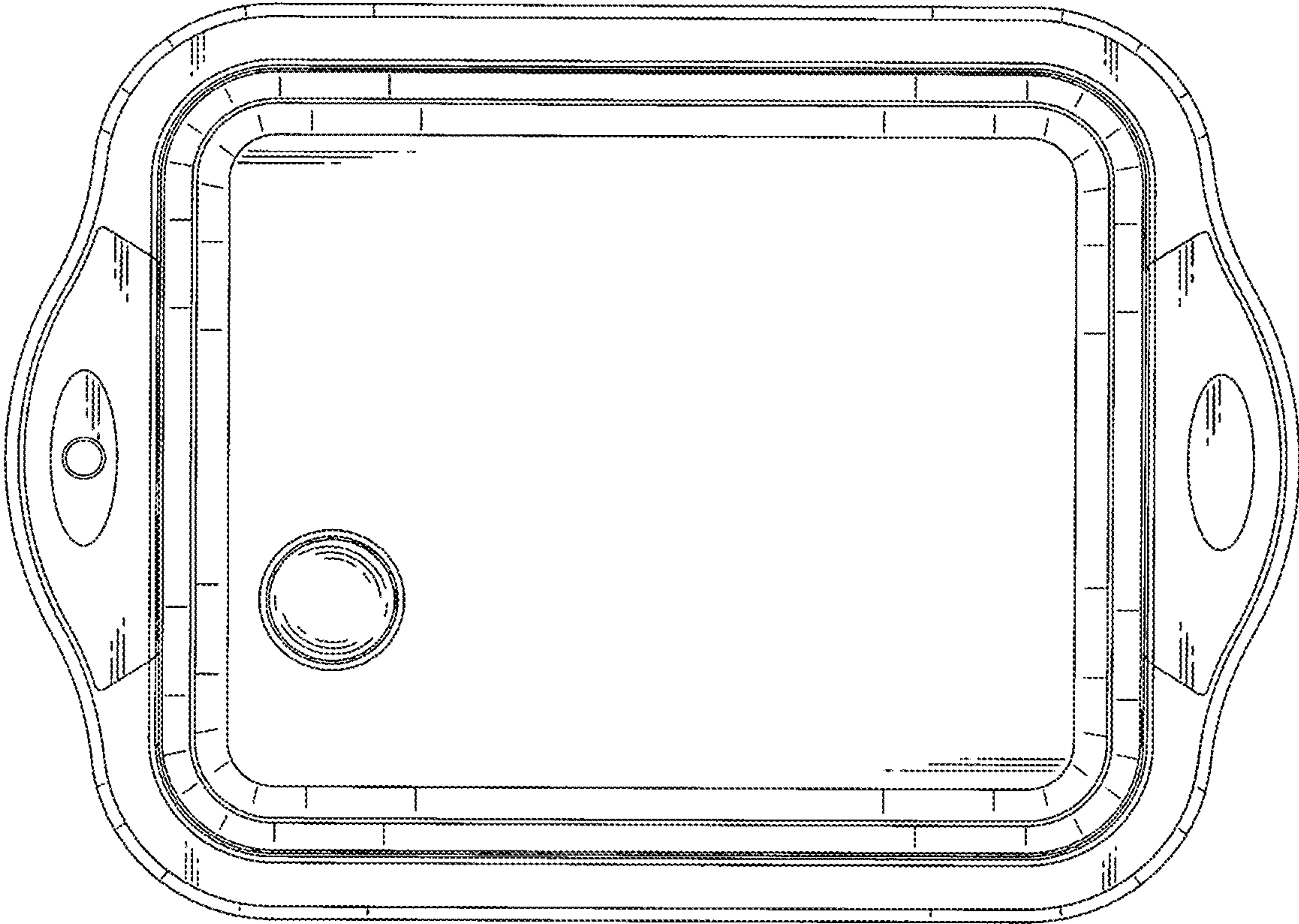


FIG.5

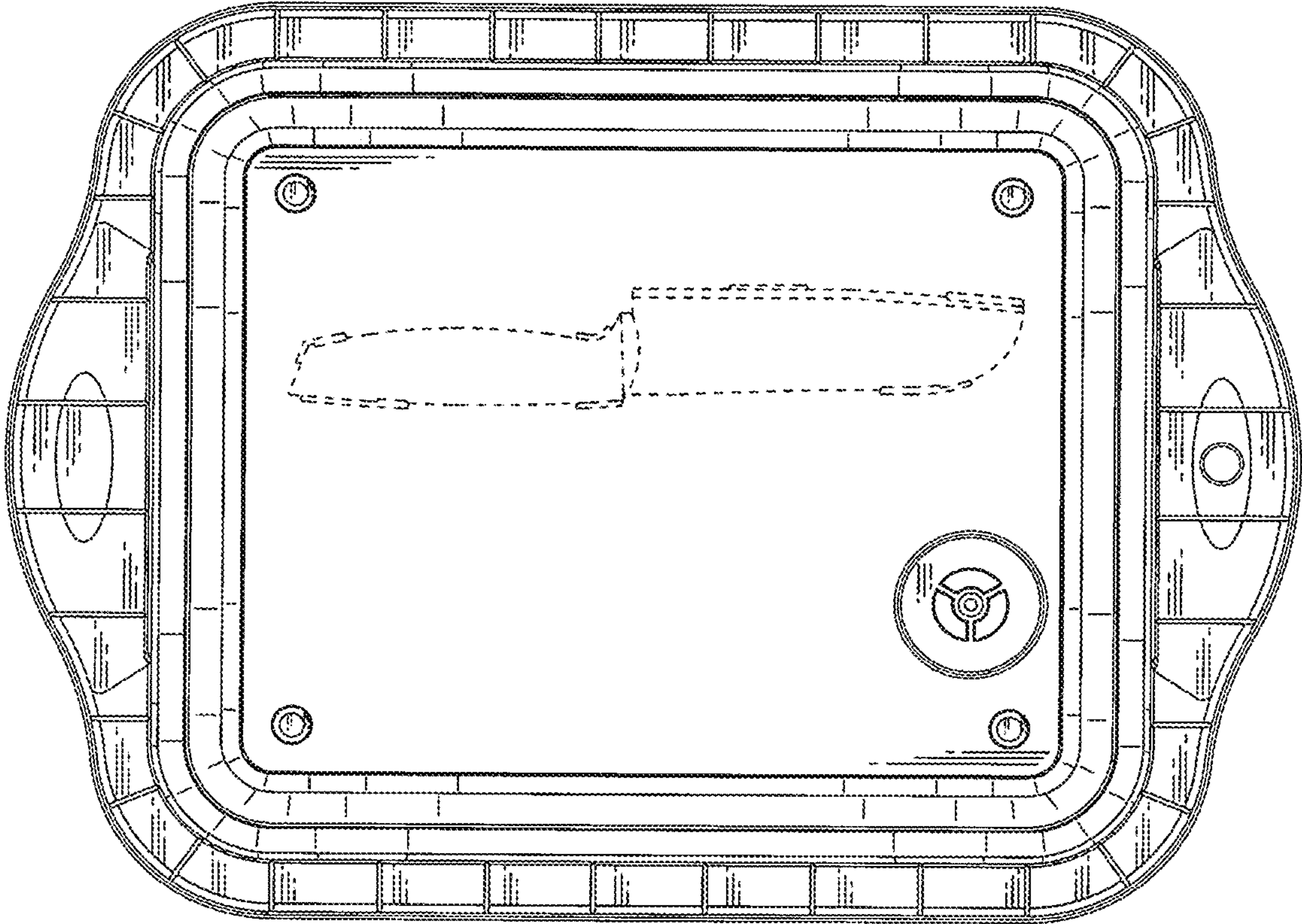


FIG.6

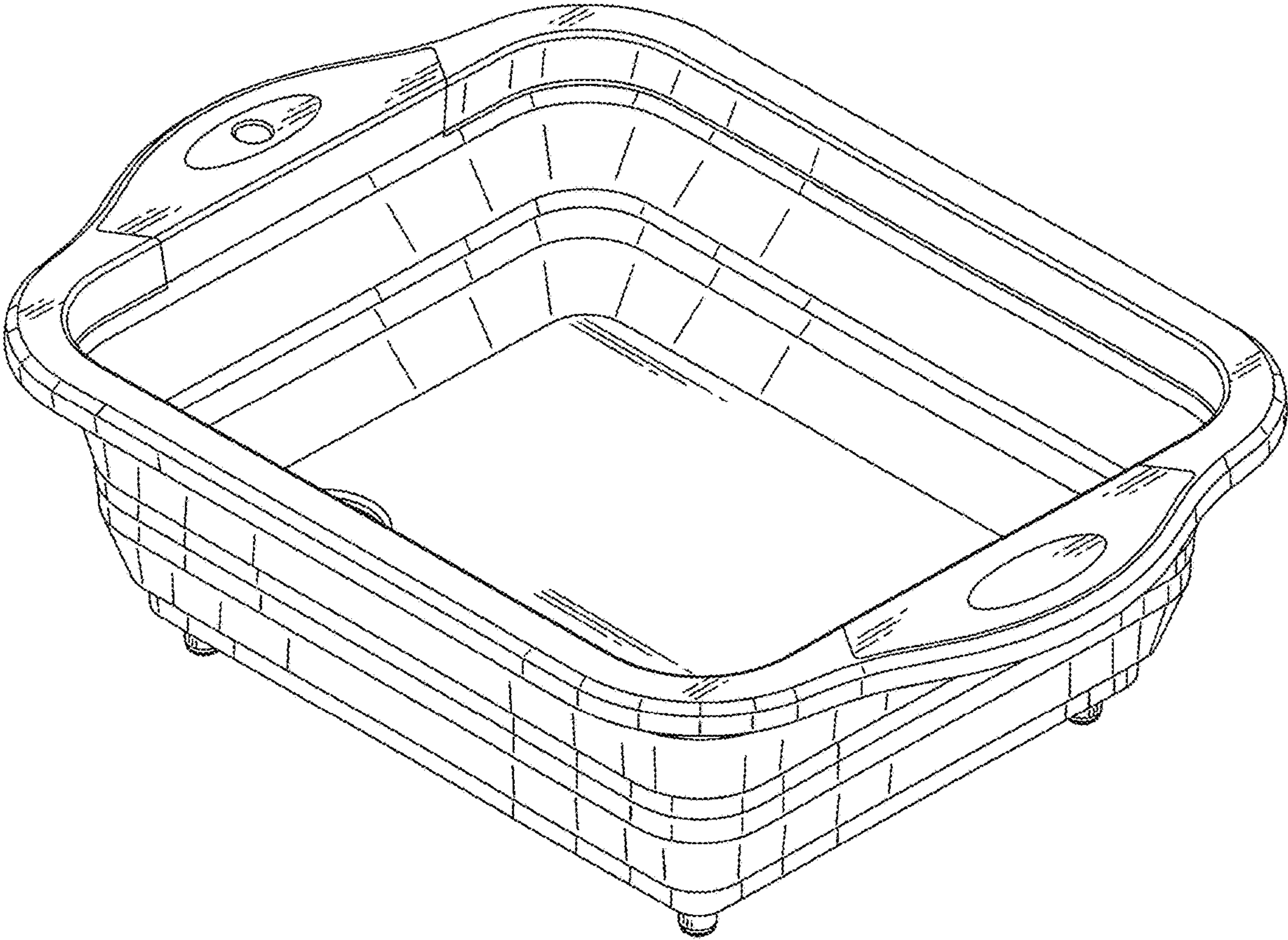


FIG. 7

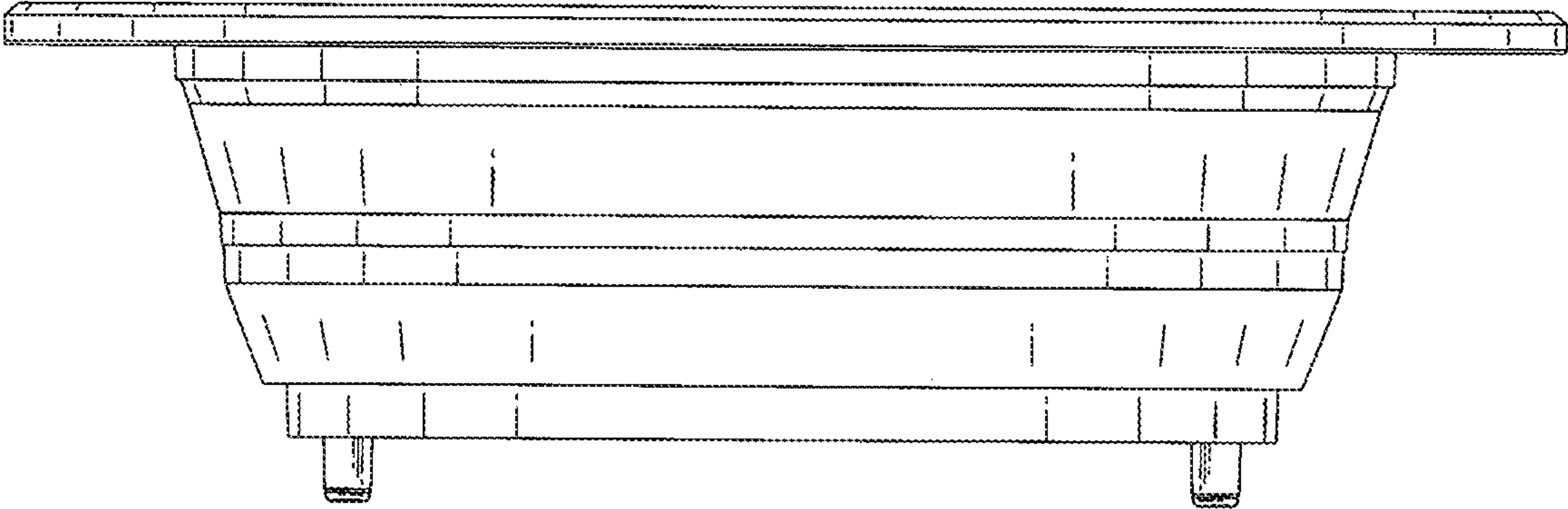


FIG. 8

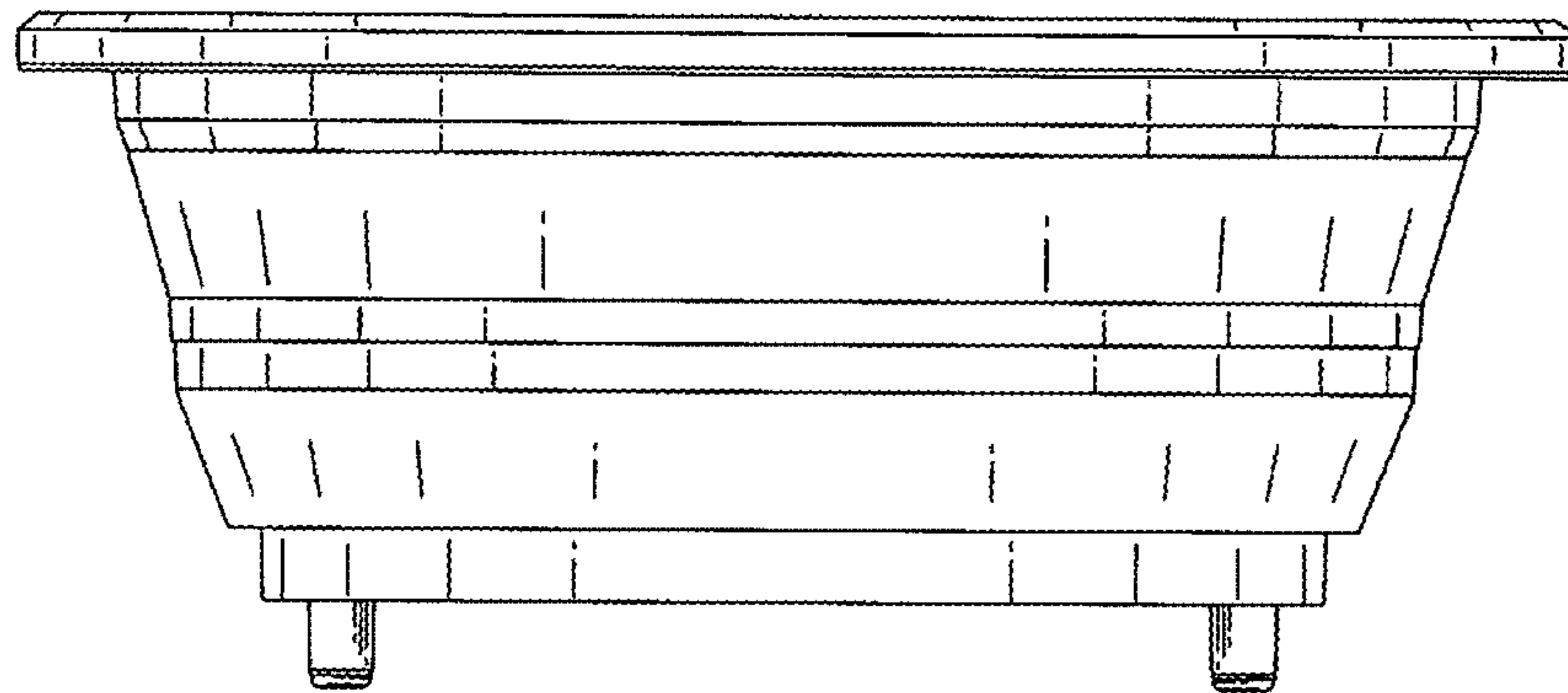


FIG. 9