



US00D911130S

(12) **United States Design Patent**
Joseph

(10) **Patent No.:** **US D911,130 S**

(45) **Date of Patent:** **** Feb. 23, 2021**

(54) **CUTTING BOARDS**

(71) Applicant: **JOSEPH JOSEPH LTD.**, London
(GB)

(72) Inventor: **Antony Joseph**, London (GB)

(73) Assignee: **JOSEPH JOSEPH LTD.**, London
(GB)

(**) Term: **15 Years**

(21) Appl. No.: **29/701,423**

(22) Filed: **Aug. 12, 2019**

(30) **Foreign Application Priority Data**

Feb. 11, 2019 (EM) 006221529

(51) **LOC (13) Cl.** **07-04**

(52) **U.S. Cl.**
USPC **D7/698**

(58) **Field of Classification Search**
USPC D7/543, 549, 550.1, 586, 673, 698-699;
D32/55-57
CPC A47J 47/00; A47J 47/005; A47J 47/20;
B26D 7/0006; B26D 7/018; B26D 7/20;
B23D 21/00; B23K 37/04; B23K 37/053;
B23Q 16/001; G03B 21/58
See application file for complete search history.

(56) **References Cited**

U.S. PATENT DOCUMENTS

1,864,077 A * 6/1932 Lewis G03B 21/58
160/37
D362,374 S * 9/1995 Roach D7/673

D623,029 S * 9/2010 Russell, II D7/698
D630,478 S * 1/2011 Bell D7/698
D665,635 S * 8/2012 Evans D7/698
D686,047 S * 7/2013 Oh D7/698
D689,750 S * 9/2013 Wang D7/698
D757,506 S * 5/2016 Evans D7/698
D792,175 S * 7/2017 Evans D7/698
D840,199 S * 2/2019 Evans D7/698
D844,400 S * 4/2019 Evans D7/698
D849,489 S * 5/2019 Evans D7/698
D882,358 S * 4/2020 Joseph D7/698

* cited by examiner

Primary Examiner — Ricky Pham

(74) *Attorney, Agent, or Firm* — Millen, White, Zelano & Branigan, PC; Ryan Pool

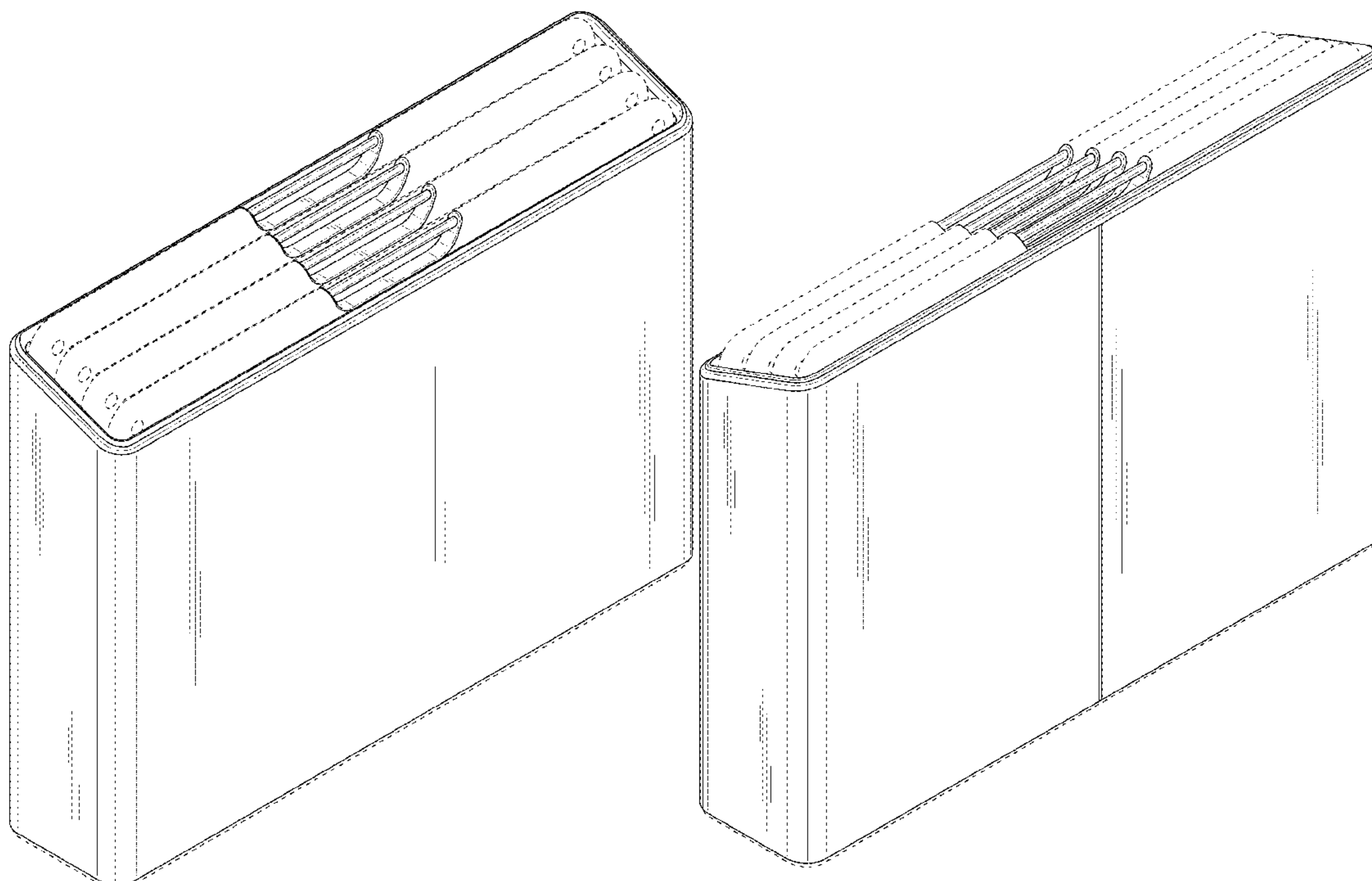
(57) **CLAIM**

The ornamental design for a cutting boards, as shown and described.

DESCRIPTION

FIG. 1 is a perspective front view of the cutting boards showing my new design.
FIG. 2 is a perspective back view thereof.
FIG. 3 is a front view thereof.
FIG. 4 is a side view thereof.
FIG. 5 is a back view thereof.
FIG. 6 is another side view thereof.
FIG. 7 is a top view thereof.
FIG. 8 is a bottom view thereof; and,
FIG. 9 is a bottom perspective view thereof.
The broken lines in the drawings illustrate portions of the cutting boards which form no part of the claimed design.

1 Claim, 9 Drawing Sheets



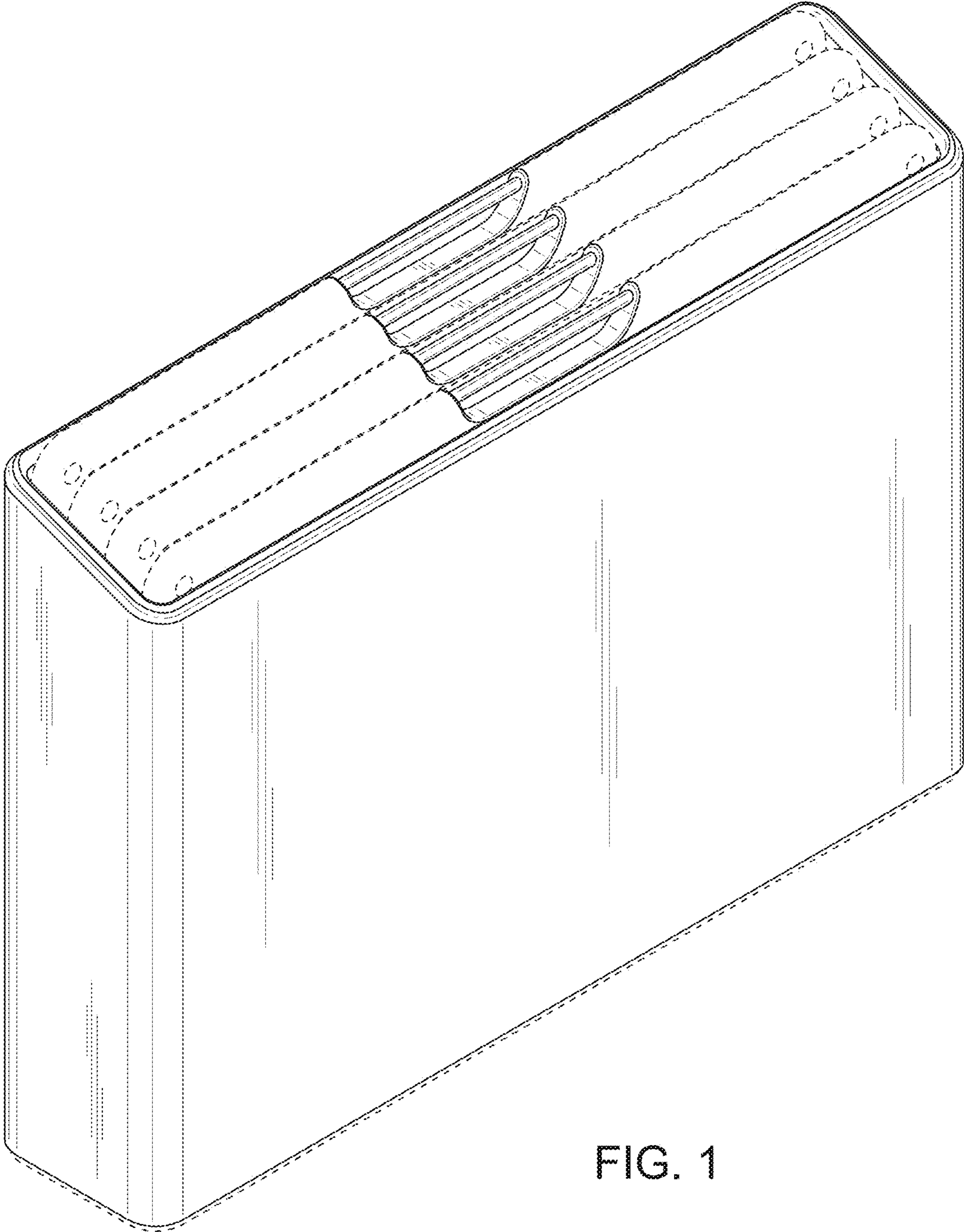
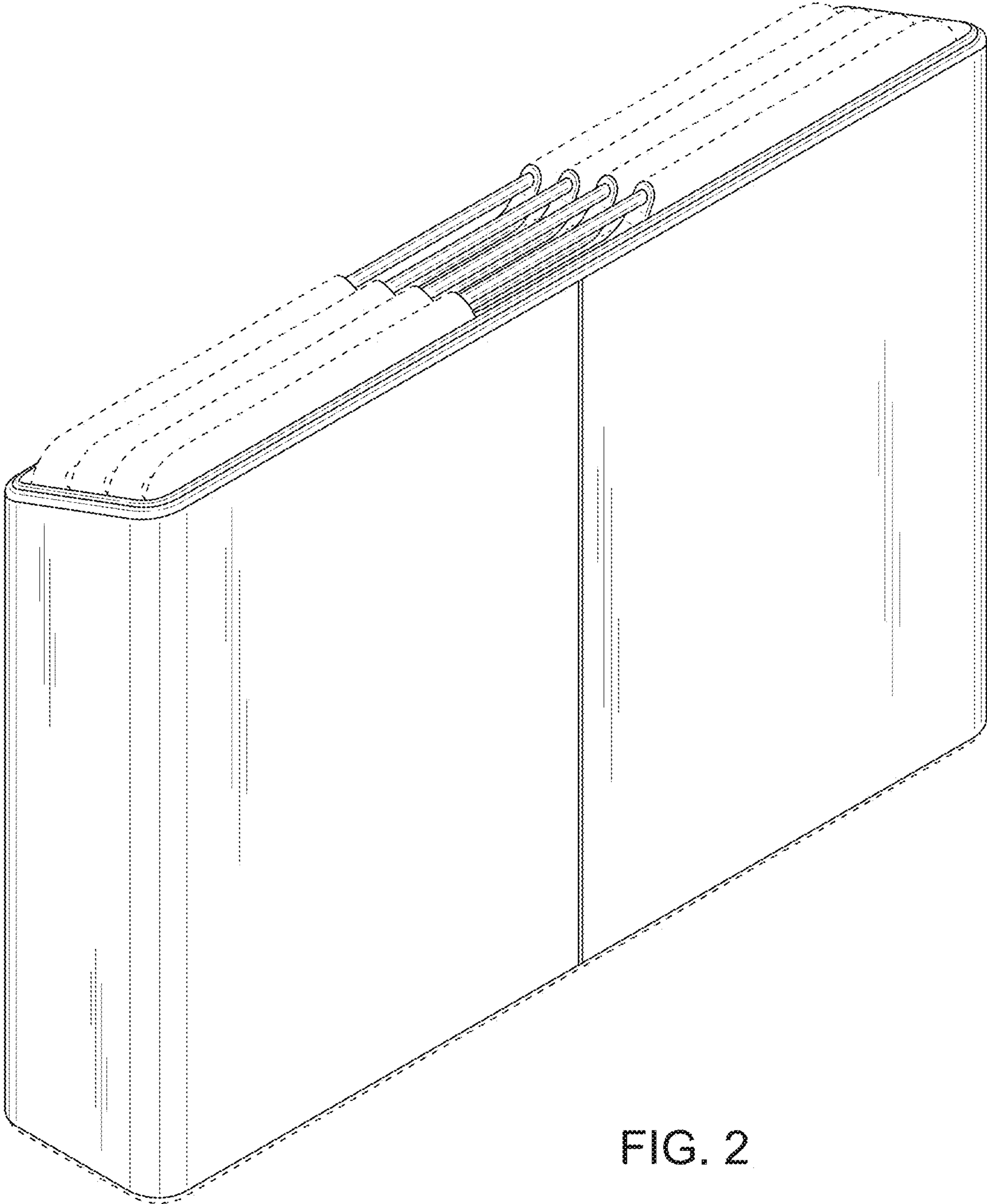


FIG. 1



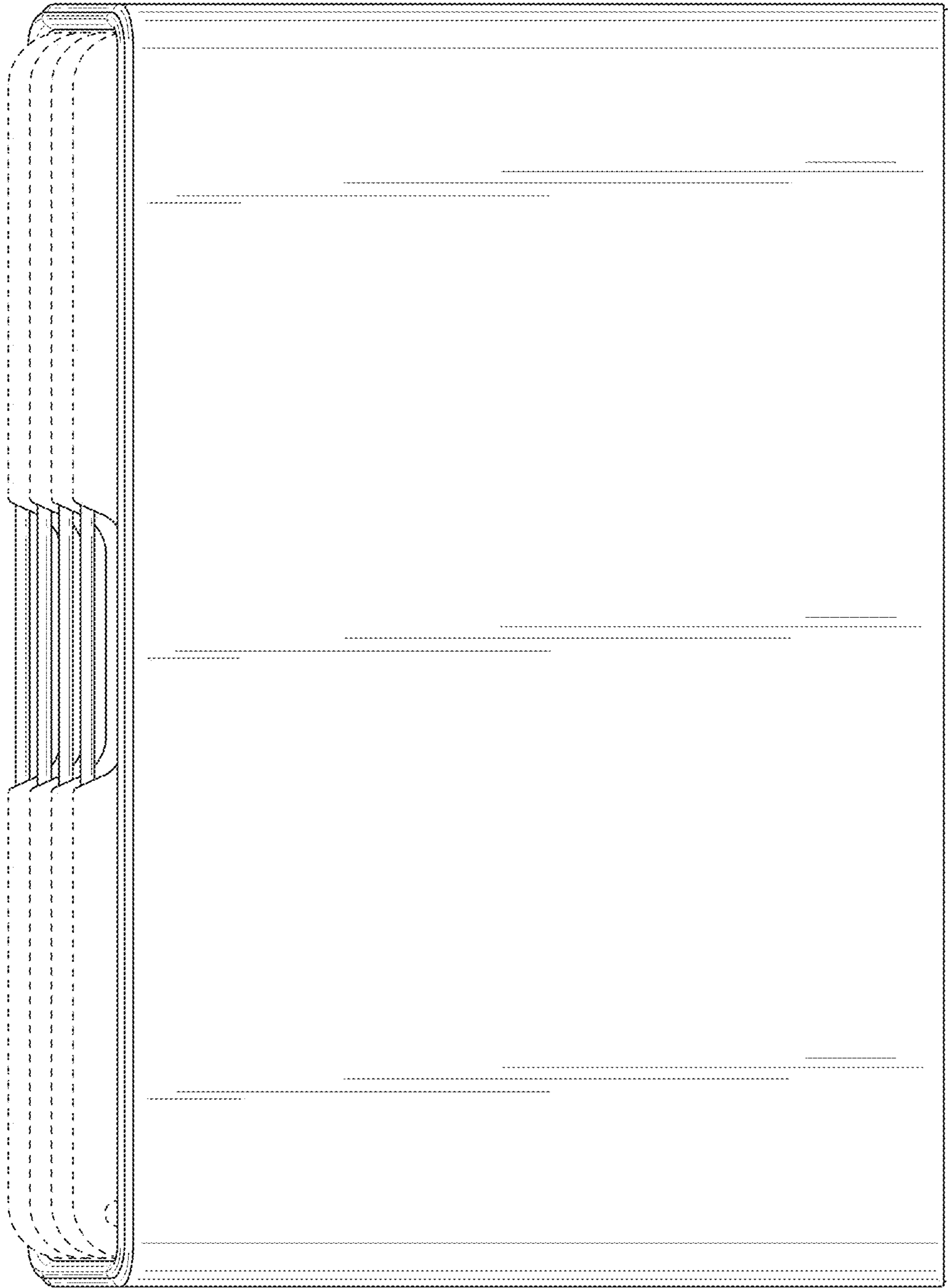


FIG. 3

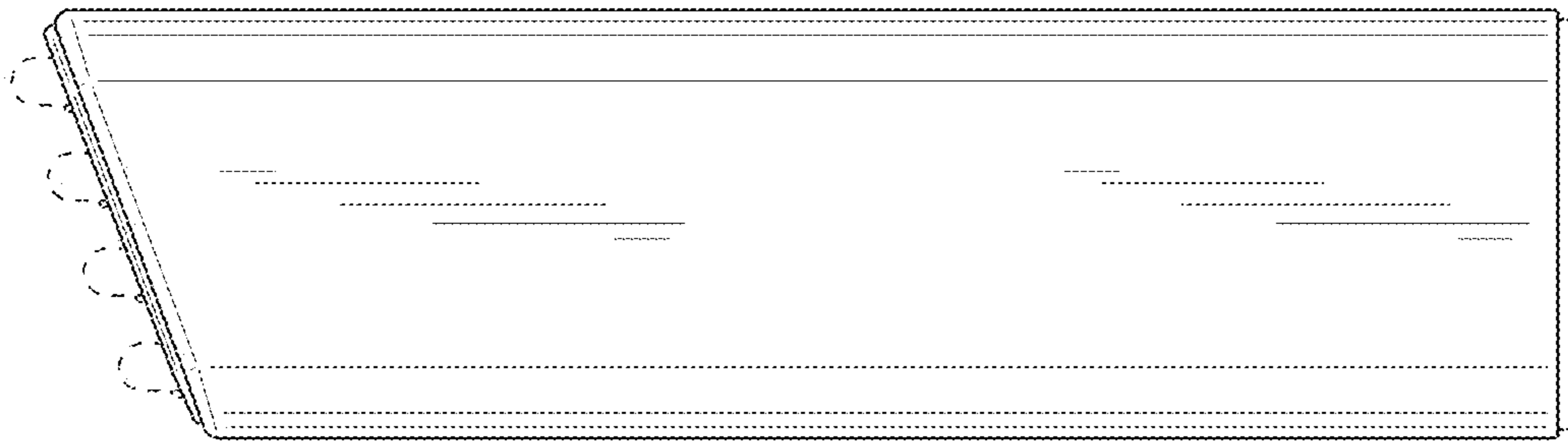


FIG. 4

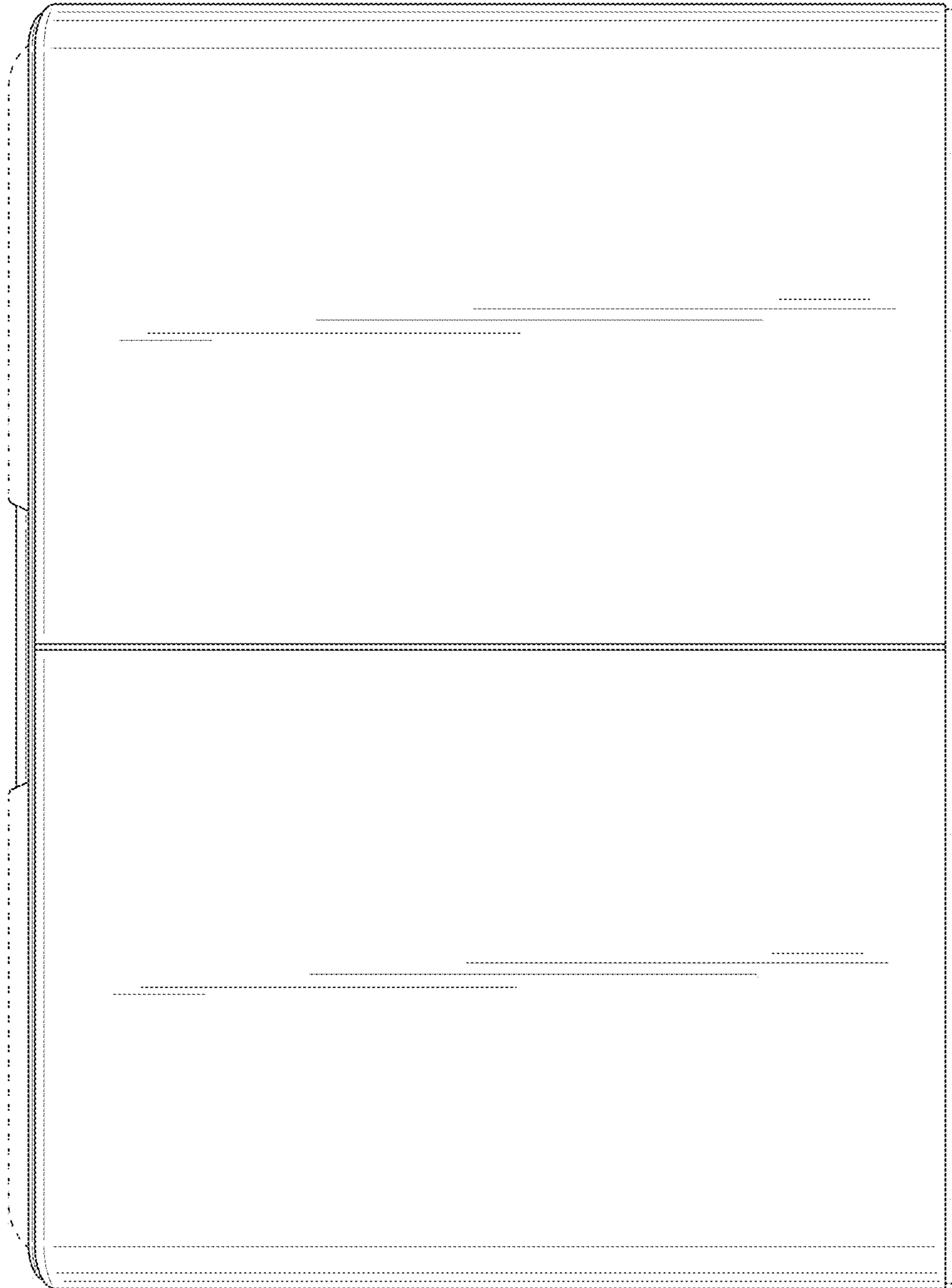


FIG. 5

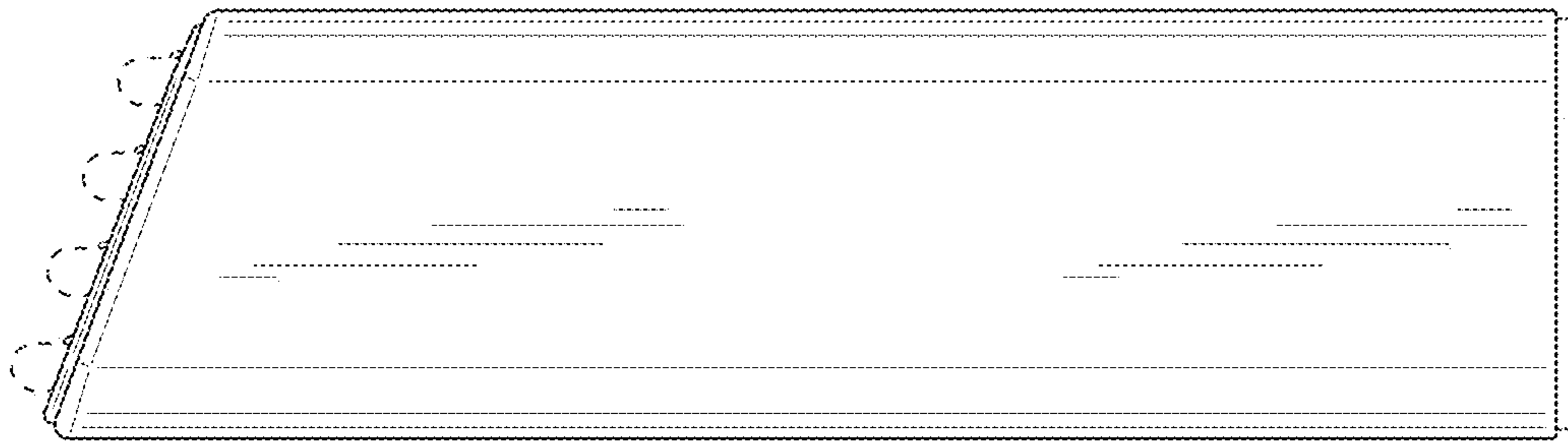


FIG. 6

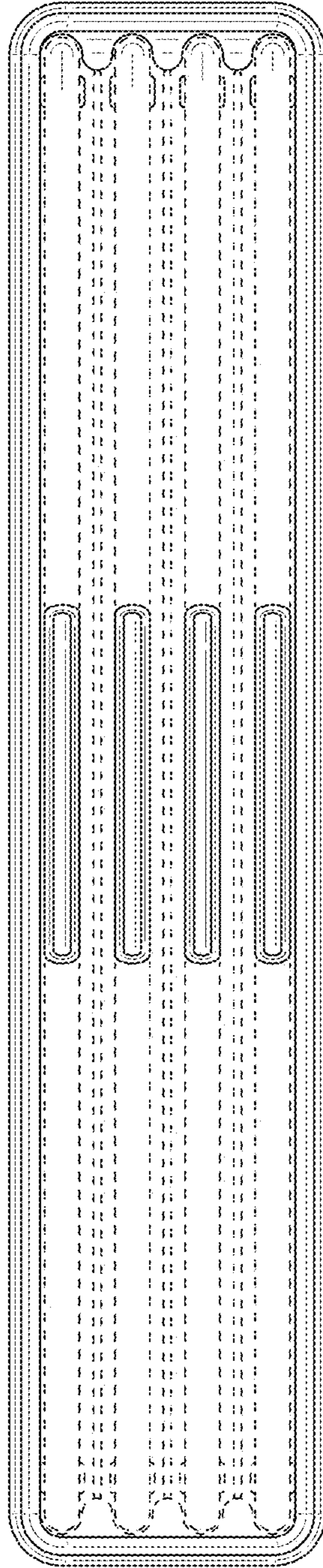


FIG. 7

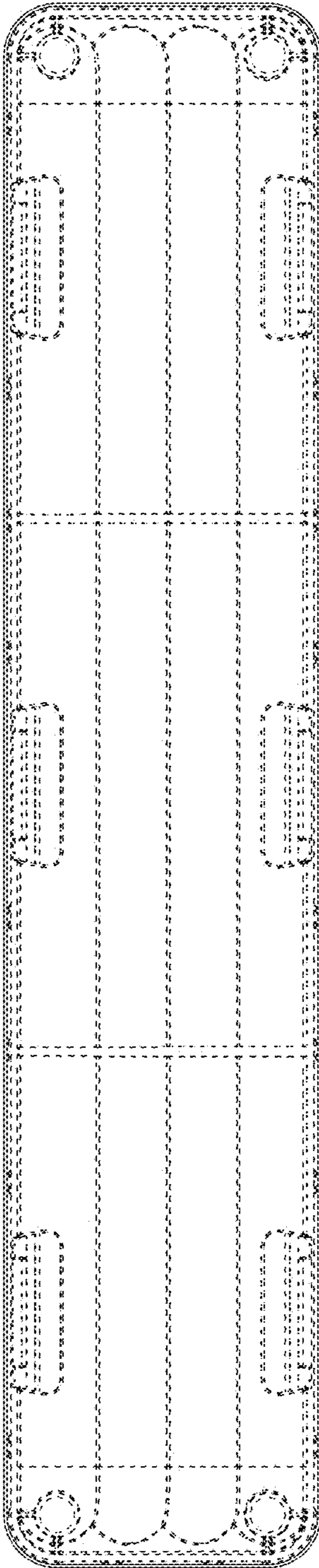


FIG. 8

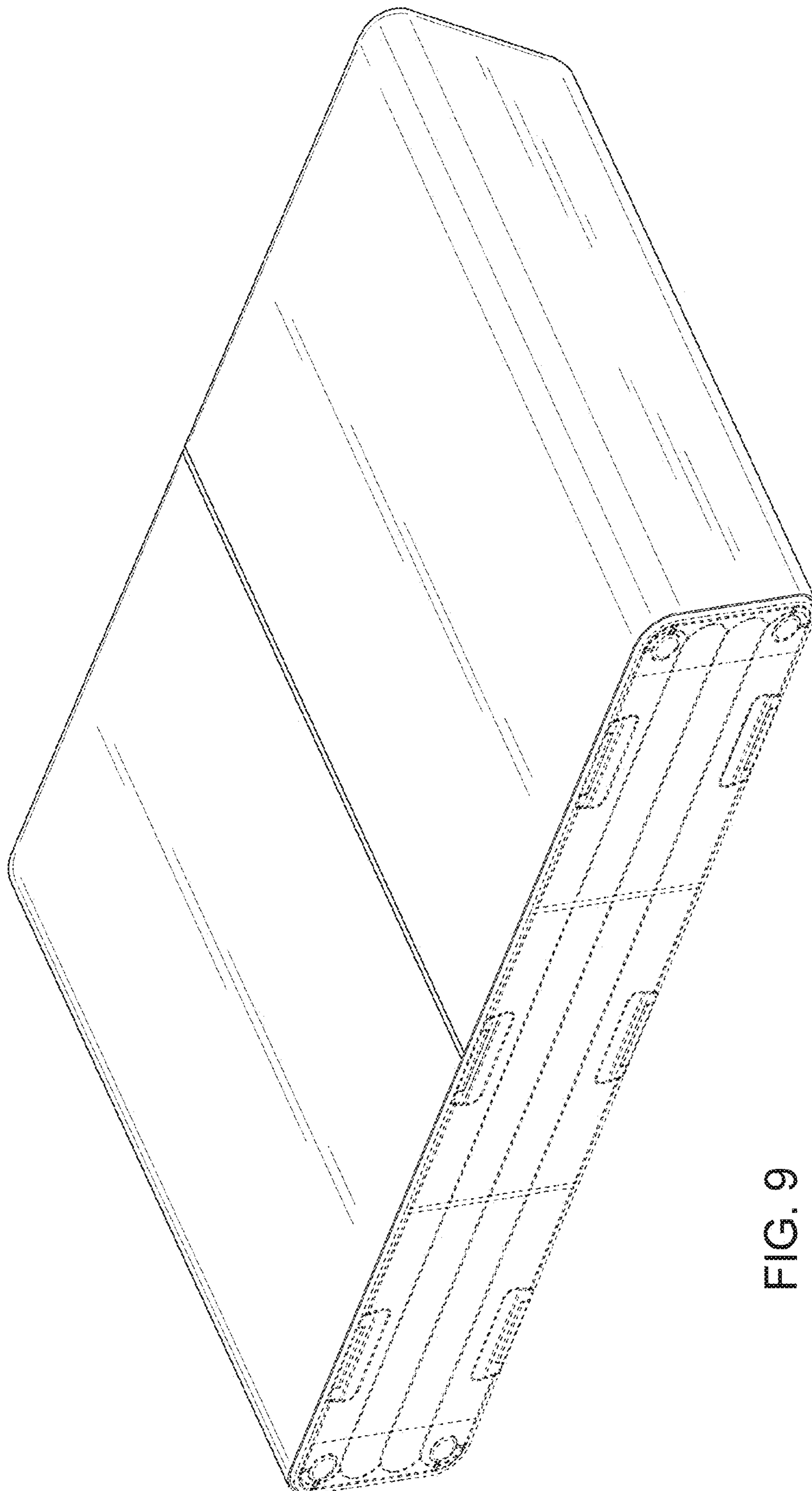


FIG. 9