



US00D911129S

(12) **United States Design Patent** (10) **Patent No.:** **US D911,129 S**
Kokubo (45) **Date of Patent:** **** Feb. 23, 2021**

(54) **PIZZA CUTTER**
(71) Applicant: **KOKUBO & CO., LTD.**, Wakayama (JP)
(72) Inventor: **Yoshiaki Kokubo**, Wakayama (JP)
(73) Assignee: **KOKUBO & CO., LTD.**, Wakayama (JP)
(**) Term: **15 Years**
(21) Appl. No.: **29/668,785**
(22) Filed: **Nov. 1, 2018**
(51) **LOC (13) Cl.** **07-04**
(52) **U.S. Cl.**
USPC **D7/694**
(58) **Field of Classification Search**
USPC D7/680-696; D8/98; D3/18
CPC B26B 25/00; B26B 25/005; B26D 7/2621;
B26D 7/2635; A47G 21/045
See application file for complete search history.

D397,001 S * 8/1998 Antista D7/694
D494,823 S * 8/2004 Overthun D8/20
D519,334 S * 4/2006 Molenaar D7/694
7,134,209 B1 * 11/2006 Molenaar B26D 7/2621
30/319
D614,460 S * 4/2010 Grace D7/694
D652,271 S * 1/2012 Moore D7/694

* cited by examiner
Primary Examiner — Terry A Wallace
(74) *Attorney, Agent, or Firm* — Culpepper IP, LLC;
Kerry S. Culpepper

(57) **CLAIM**

I claim the ornamental design for a pizza cutter, as shown.

DESCRIPTION

FIG. 1 is a front view;
FIG. 2 is a rear view;
FIG. 3 is a right side view;
FIG. 4 is a left side view;
FIG. 5 is a top plan view;
FIG. 6 is a bottom plan view;
FIG. 7 is a cross-sectional view along lines A-A of FIG. 5;
and,
FIG. 8 is a perspective view.

(56) **References Cited**
U.S. PATENT DOCUMENTS
209,065 A * 10/1878 Millspaugh B26B 25/00
30/319
D375,662 S * 11/1996 Noga D7/694

1 Claim, 5 Drawing Sheets

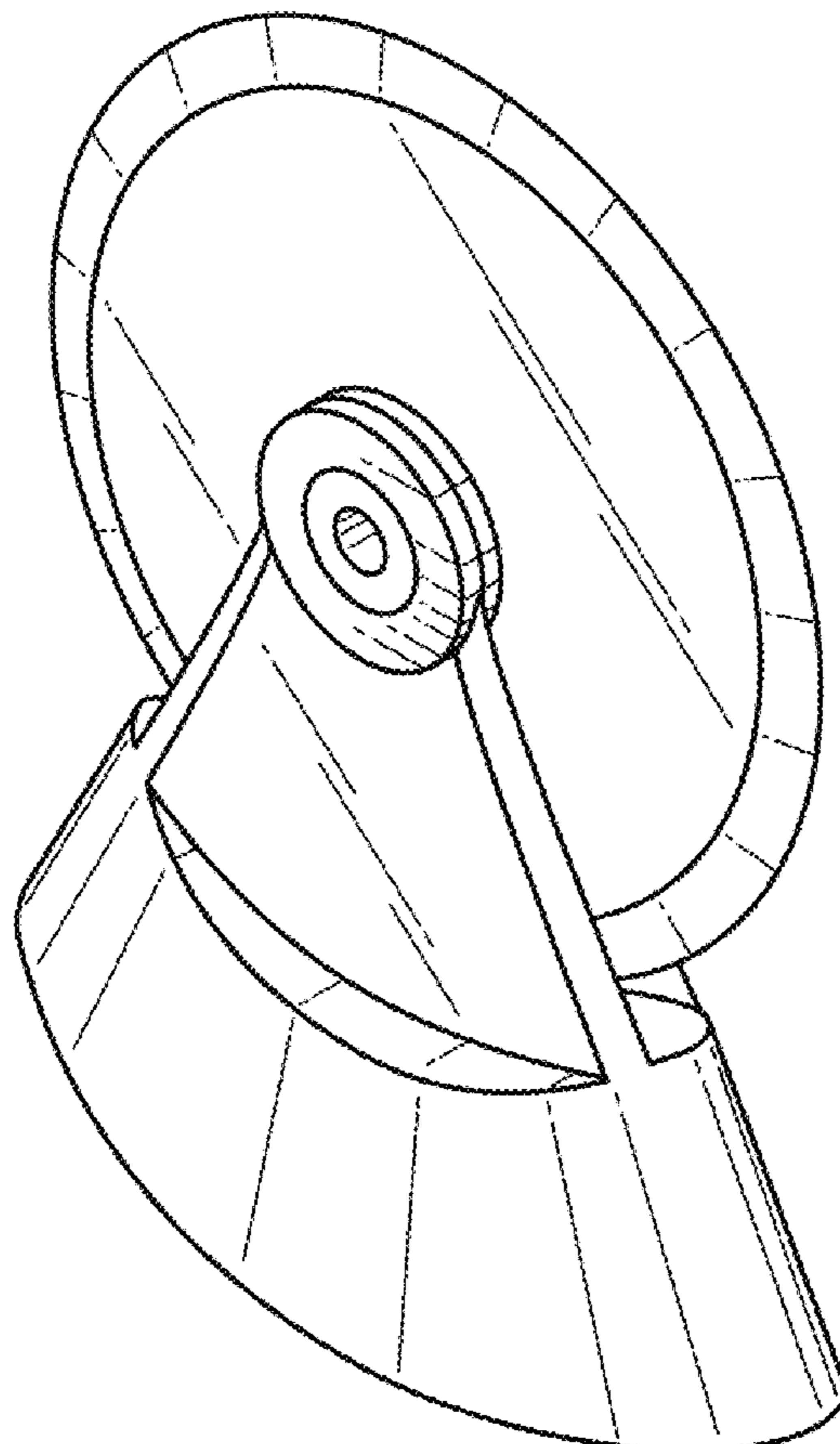


FIG. 1

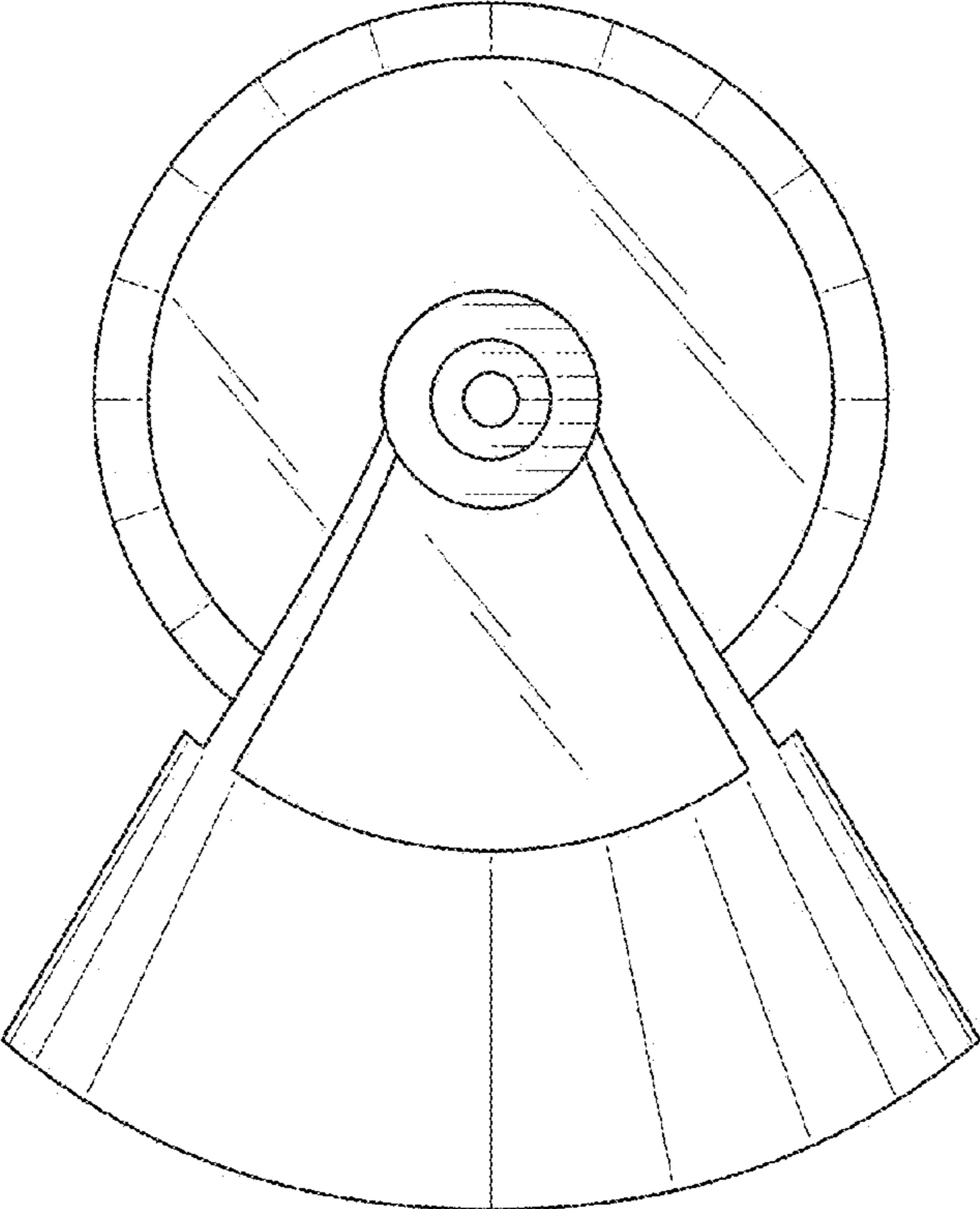


FIG. 2

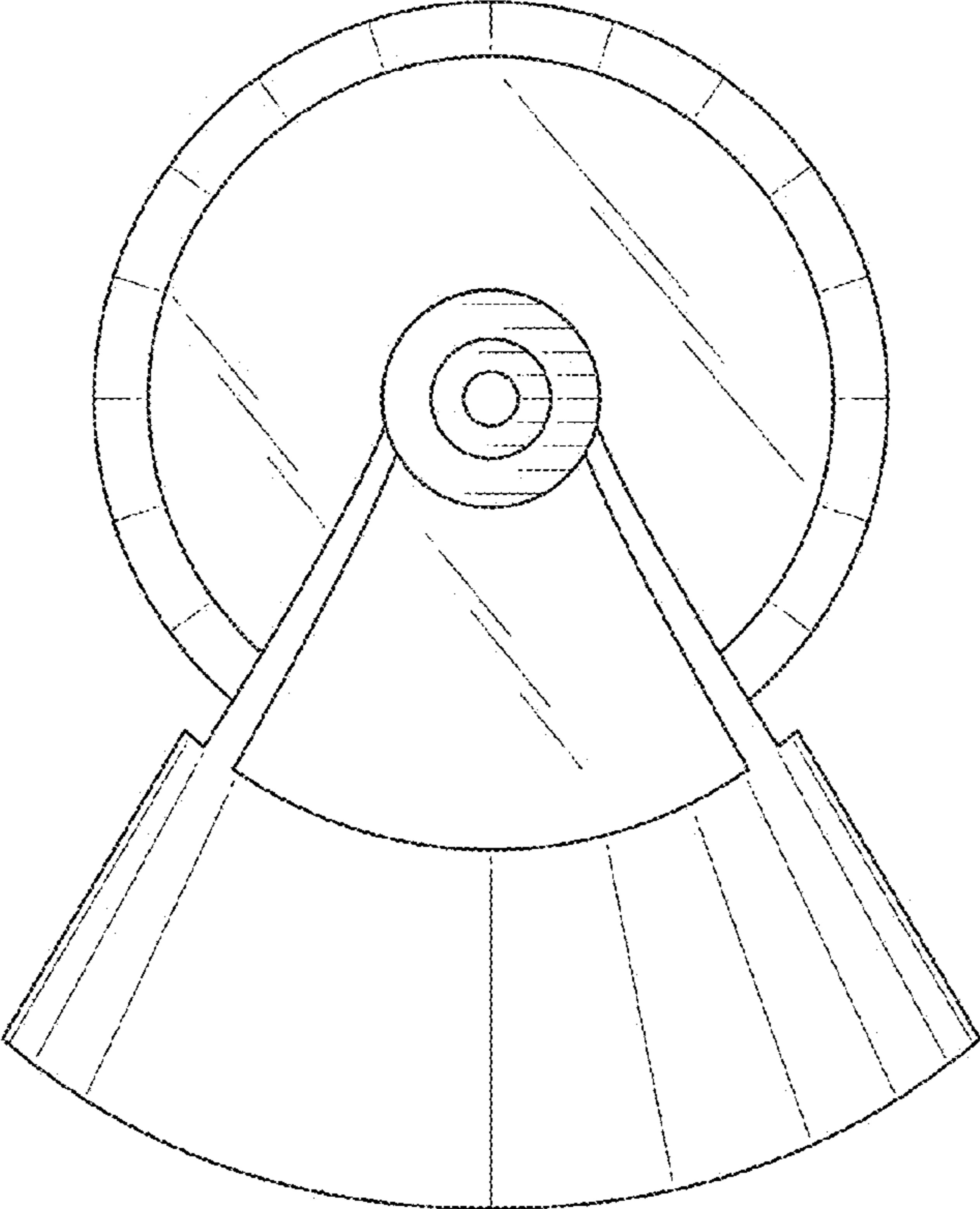


FIG. 3

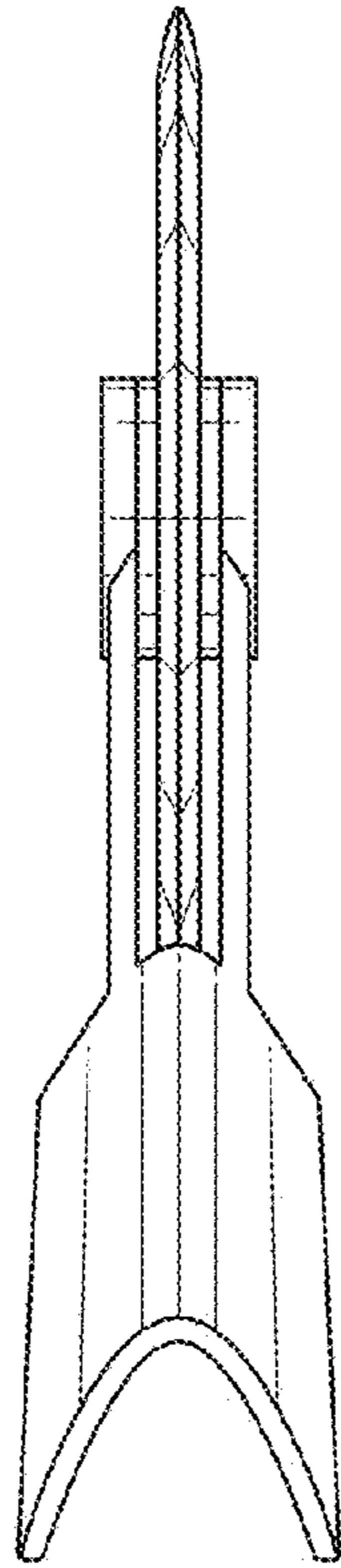


FIG. 4

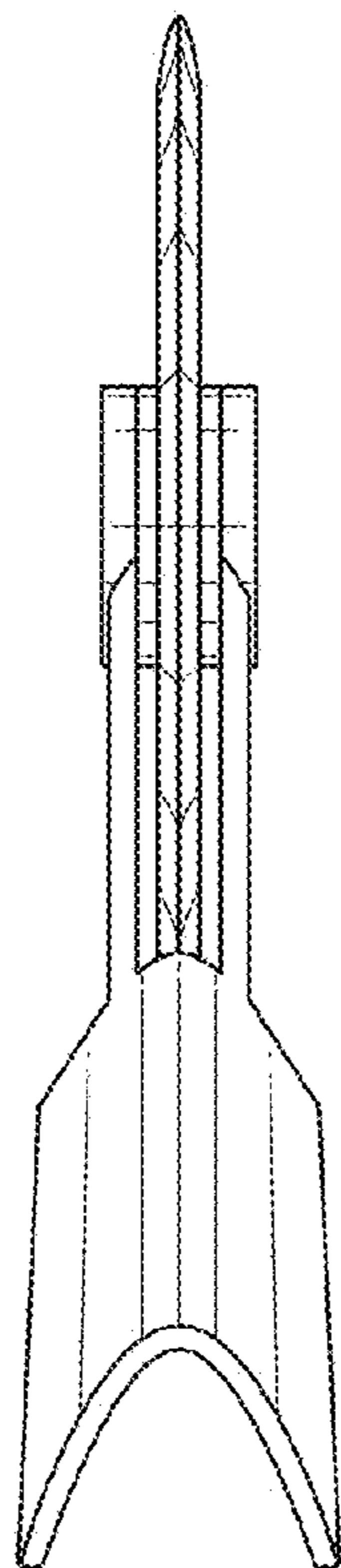


FIG. 5

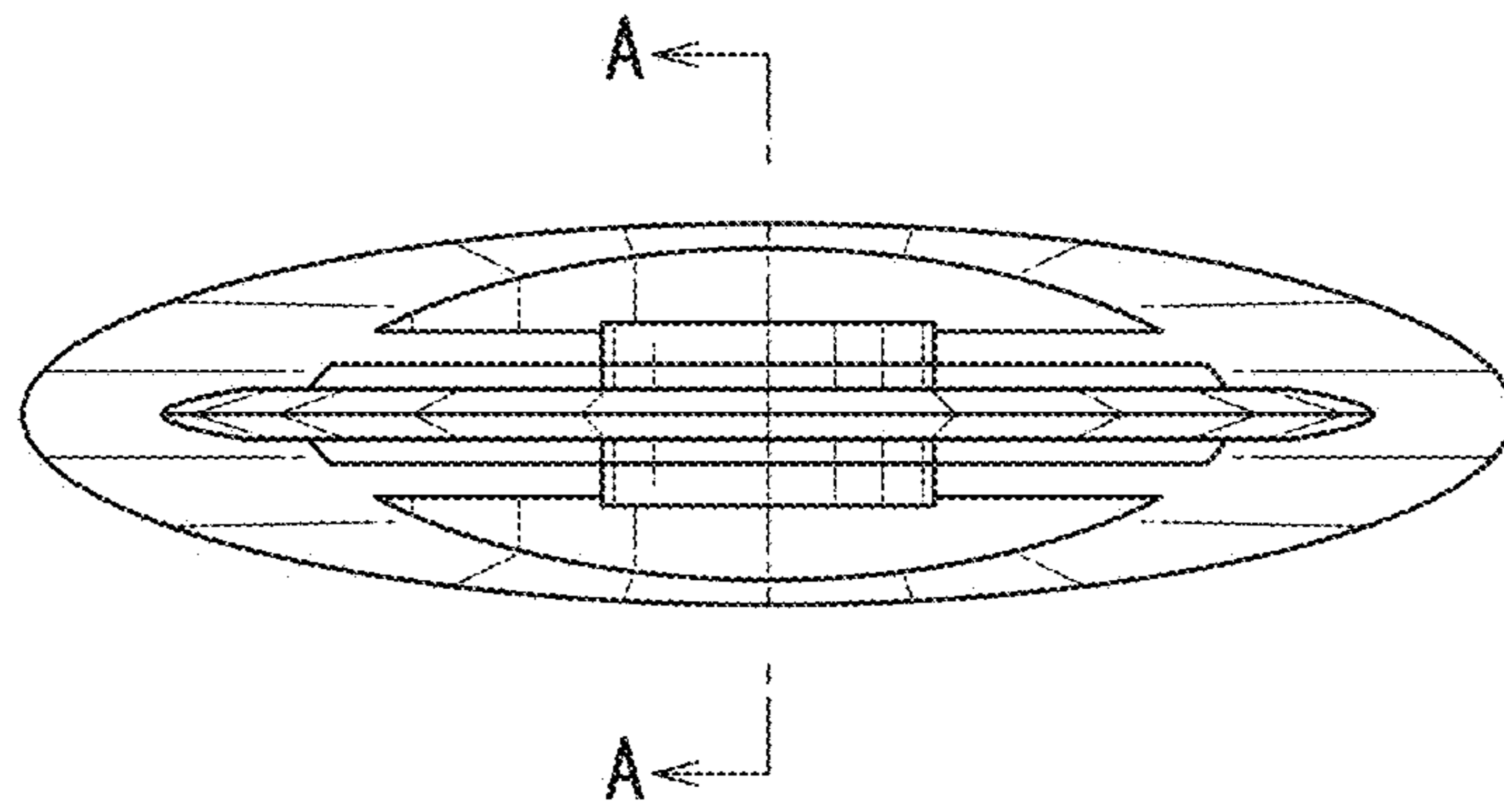


FIG. 6

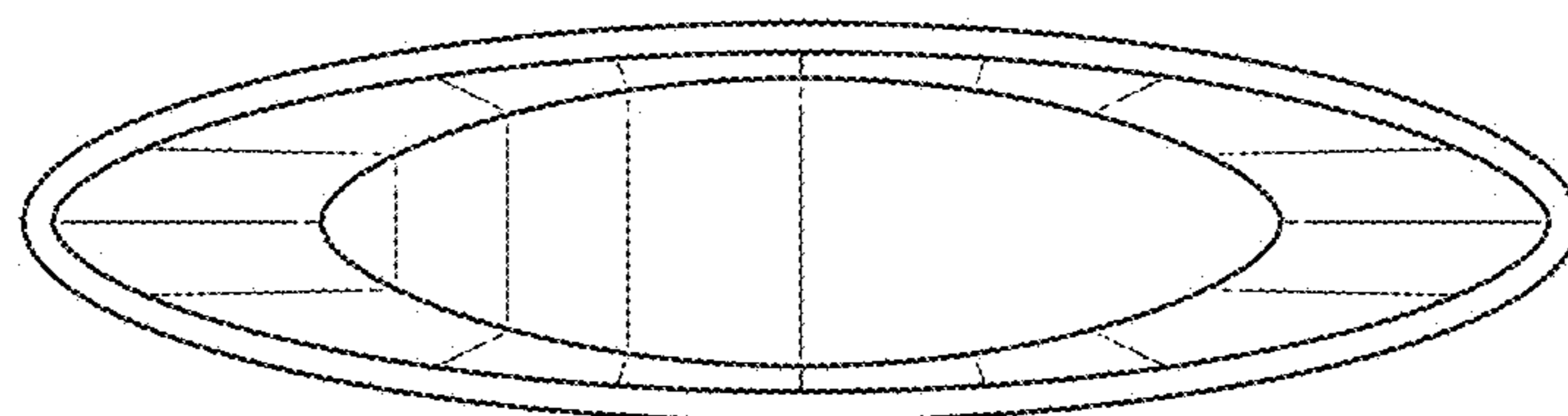


FIG. 7

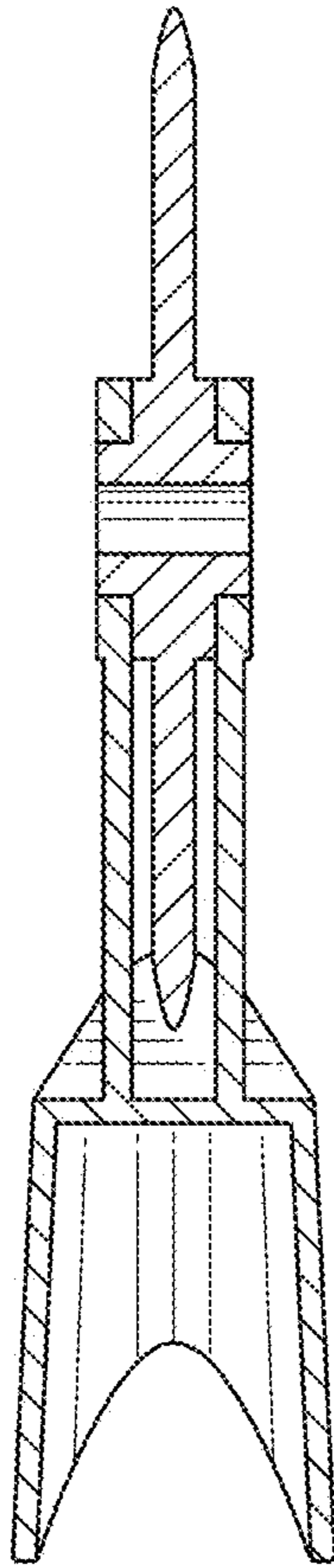


FIG. 8

