



US00D911128S

(12) **United States Design Patent** (10) **Patent No.:** **US D911,128 S**  
**Xie** (45) **Date of Patent:** **\*\* Feb. 23, 2021**

(54) **SPAGHETTI SPOON**

D480,280 S \* 10/2003 Schulein ..... D7/692  
D498,990 S \* 11/2004 White ..... D7/692  
D525,087 S 7/2006 Vaishnav

(71) Applicant: **Shenzhenshi Baozhixia Keji**  
**youxiangongsi**, Shenzhen Guangdong  
(CN)

\* cited by examiner

(72) Inventor: **Zhixia Xie**, Guangdong Province (CN)

*Primary Examiner* — Terry A Wallace  
(74) *Attorney, Agent, or Firm* — ZANIP

(\*\*) Term: **15 Years**

(21) Appl. No.: **29/750,350**

(57) **CLAIM**

(22) Filed: **Sep. 14, 2020**

The ornamental design for a spaghetti spoon, as shown and described.

(51) **LOC (13) Cl.** ..... **07-04**

(52) **U.S. Cl.**  
USPC ..... **D7/692**

**DESCRIPTION**

(58) **Field of Classification Search**  
USPC ..... D7/680–696, 395  
CPC ..... A47J 43/285; A47J 43/28; A47J 43/14;  
A47J 43/286; A47J 43/00; A47J 43/284;  
A47J 19/005; A47J 19/00; A47G 21/02;  
A47G 21/04  
See application file for complete search history.

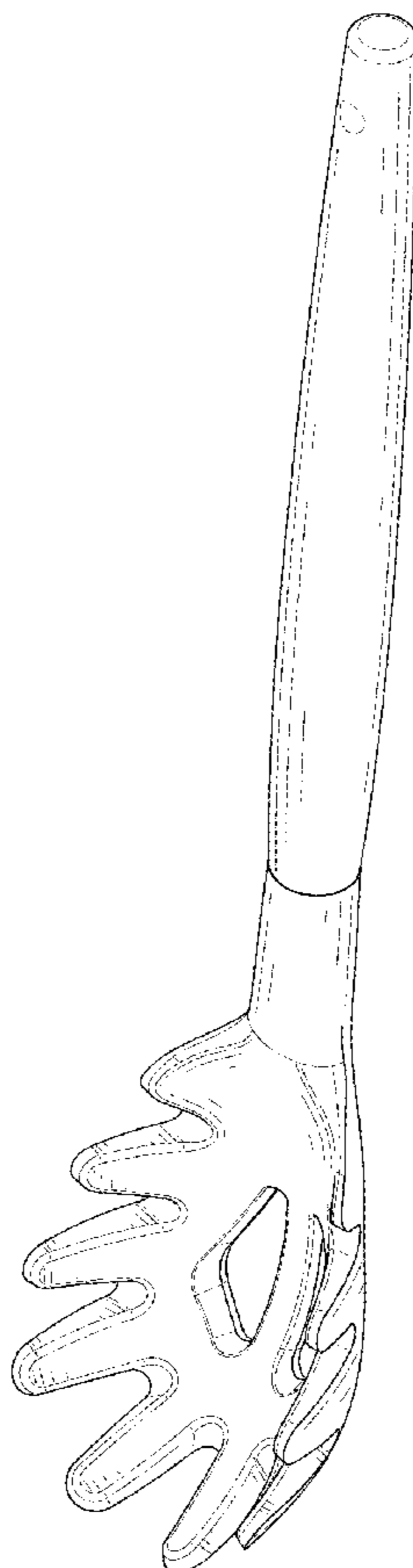
FIG. 1 is a front and top perspective view of a spaghetti spoon, showing my new design;  
FIG. 2 is a rear and bottom perspective view thereof;  
FIG. 3 is a front elevational view thereof;  
FIG. 4 is a rear elevational view thereof;  
FIG. 5 is a left side elevational view thereof;  
FIG. 6 is a right side elevational view thereof;  
FIG. 7 is a top plan view thereof; and,  
FIG. 8 is a bottom plan view thereof.  
The broken lines in the figures illustrate portions of the article that form no part of the claimed design.

(56) **References Cited**

U.S. PATENT DOCUMENTS

2,810,957 A \* 10/1957 Nelson ..... A47G 21/02  
30/324  
D402,167 S \* 12/1998 Durbin ..... D7/692

**1 Claim, 8 Drawing Sheets**



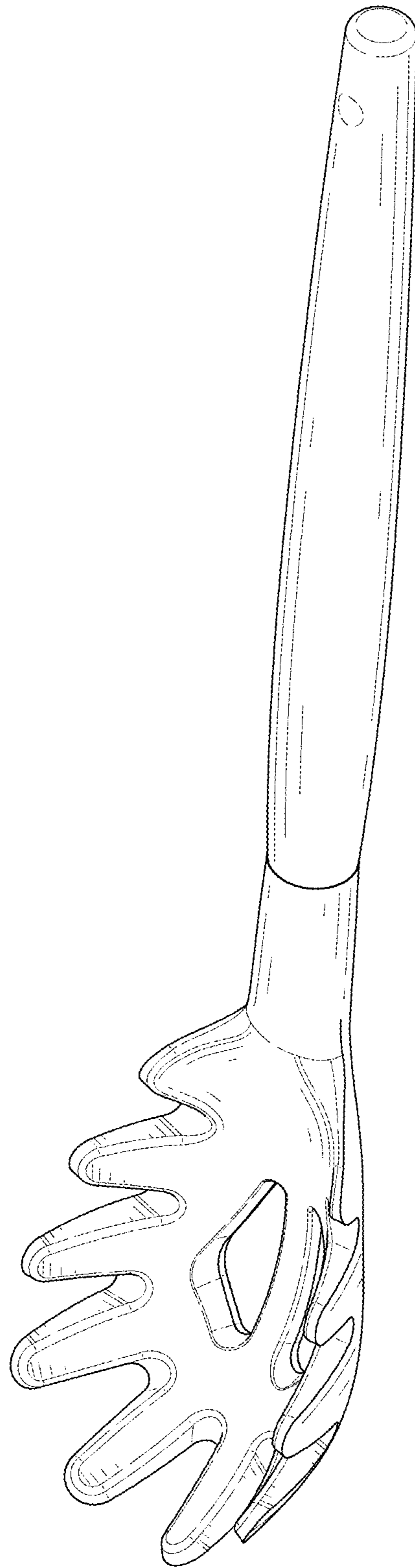


FIG. 1

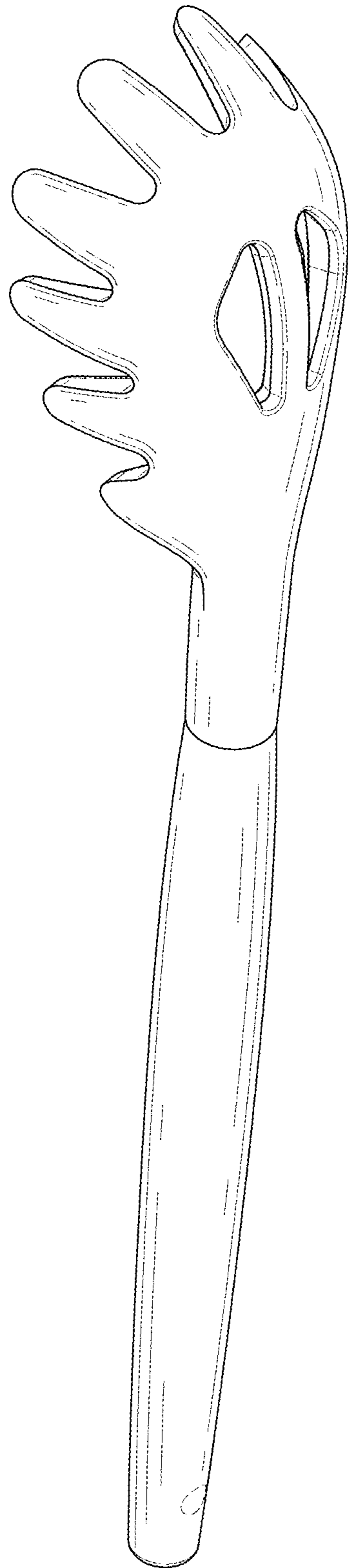


FIG. 2

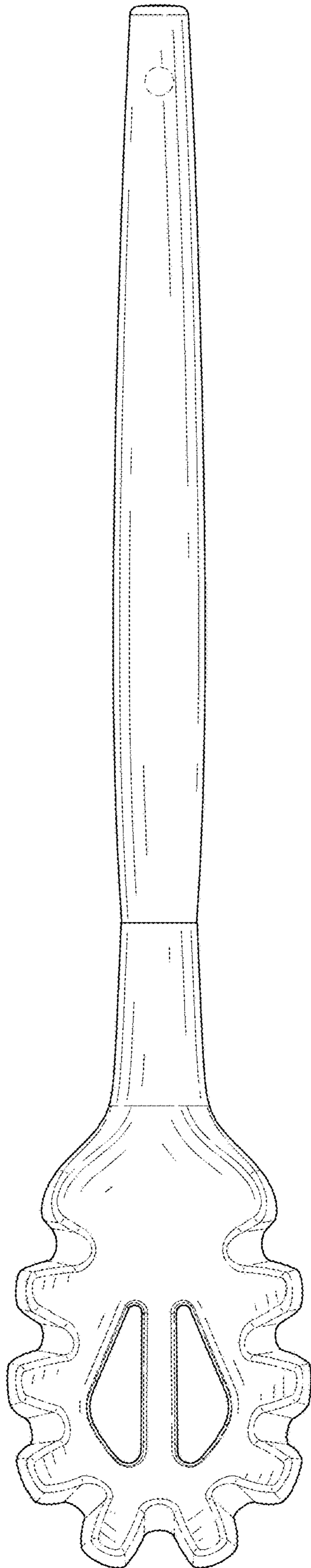


FIG. 3

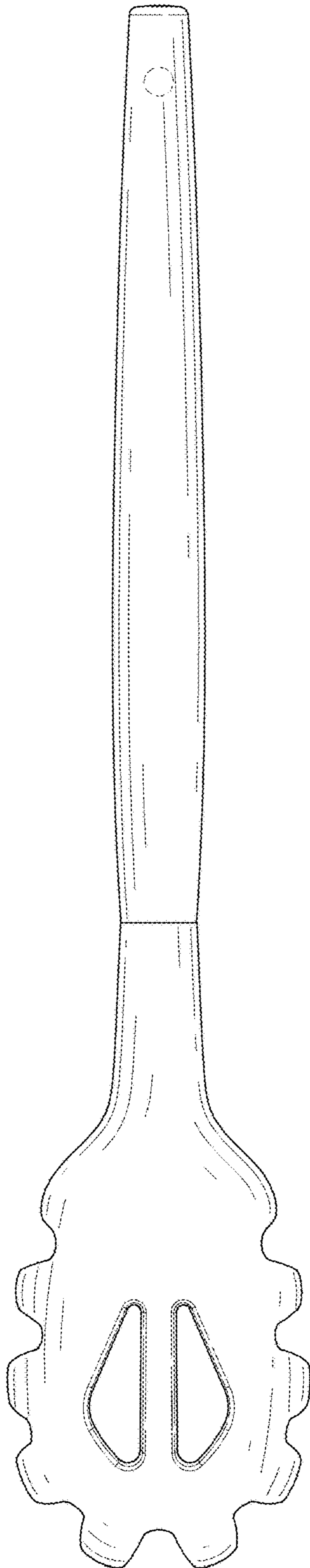


FIG. 4

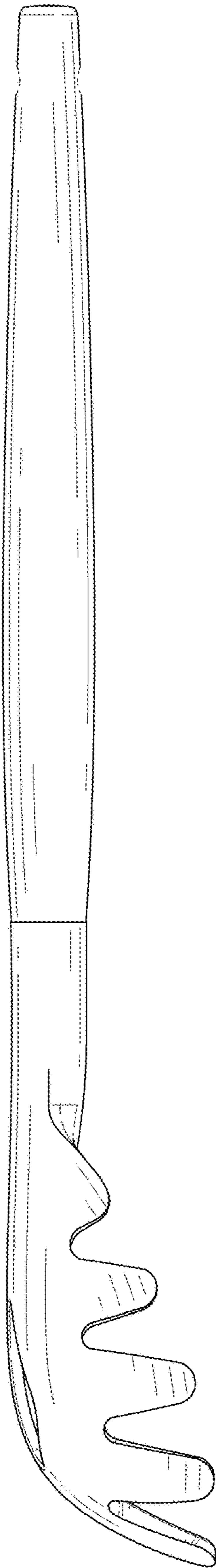


FIG. 5

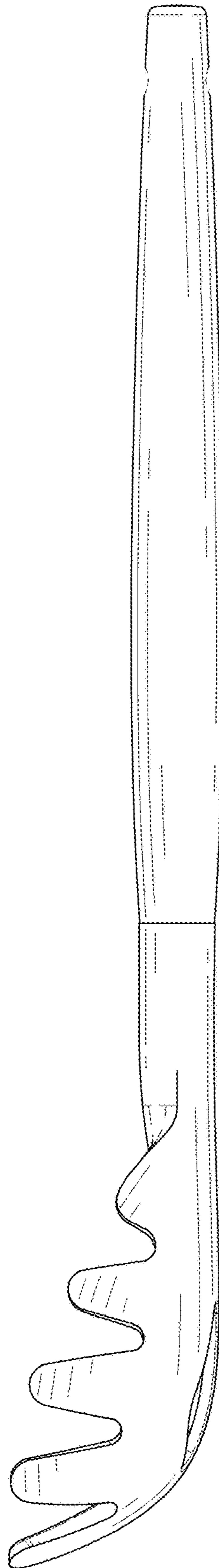


FIG. 6

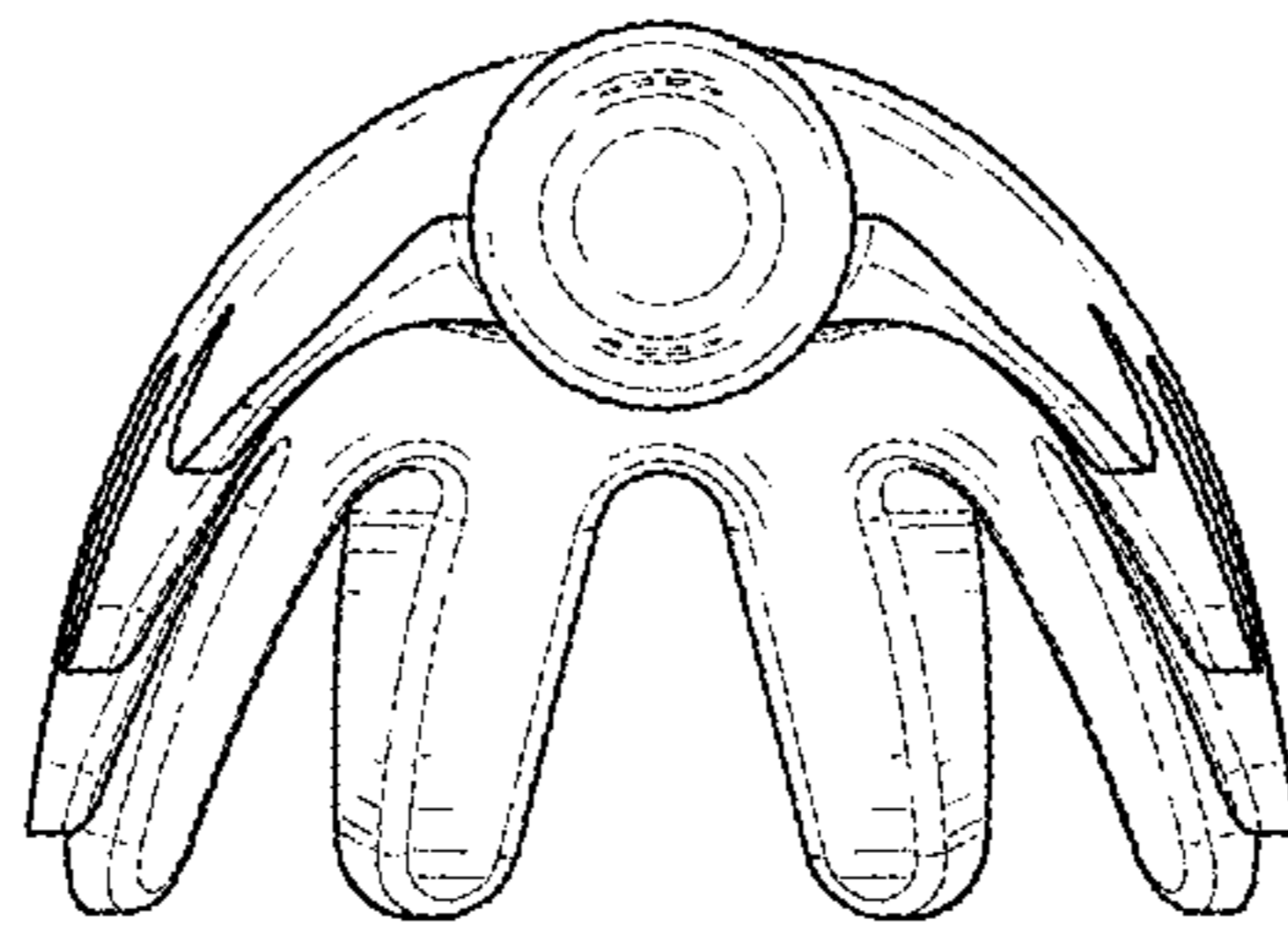


FIG. 7



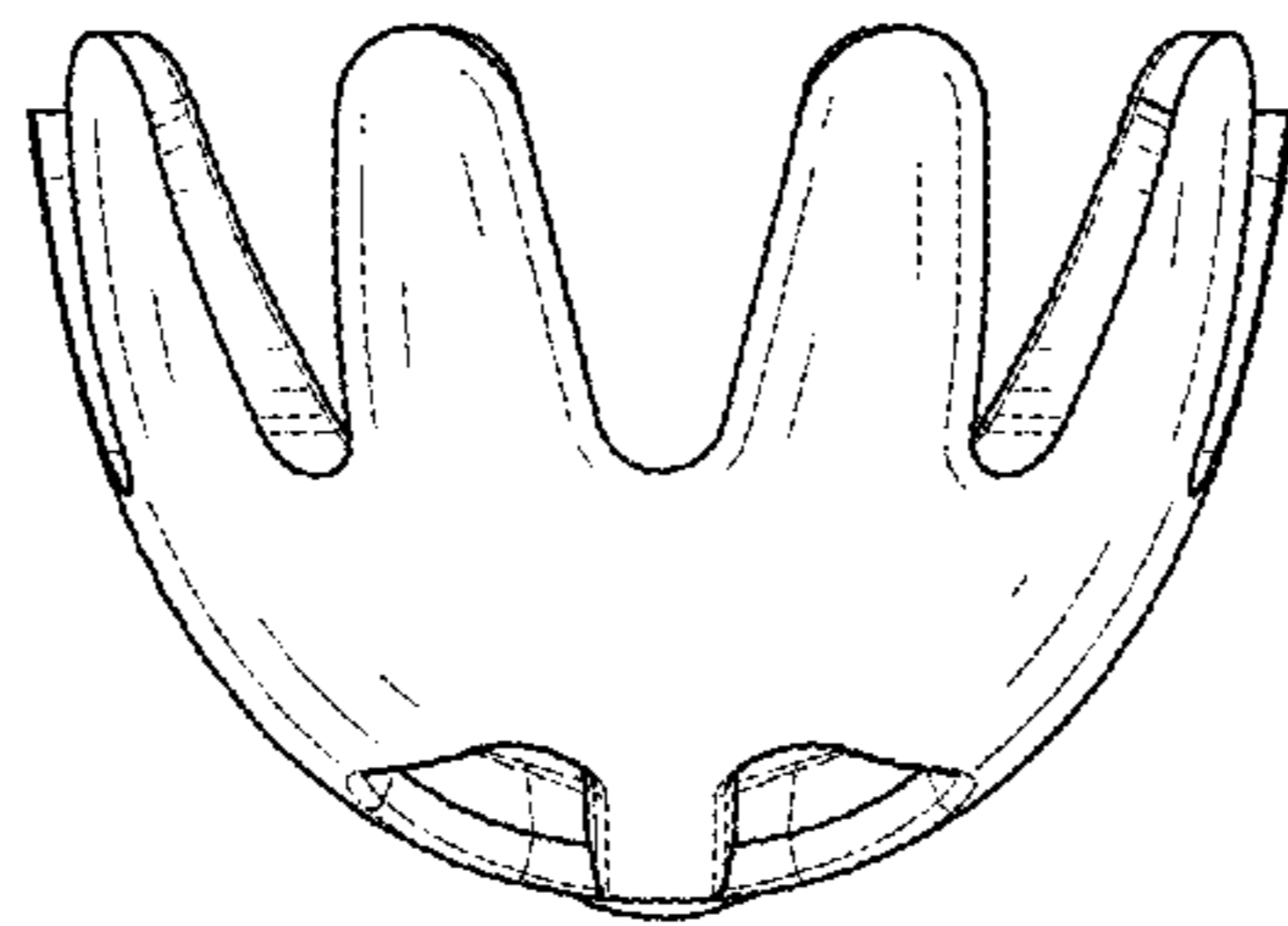


FIG. 8