



US00D911125S

(12) **United States Design Patent**  
**Pedraza**

(10) **Patent No.:** **US D911,125 S**

(45) **Date of Patent:** **\*\* Feb. 23, 2021**

(54) **HAMBURGER TEMPLET SLICER**

FOREIGN PATENT DOCUMENTS

(71) Applicant: **Victor Arnulfo Pedraza**, Chicago, IL  
(US)

JP 200325282 A1 1/2003  
JP 3211161U A1 6/2017  
KR 20170052155 A1 5/2017

(72) Inventor: **Victor Arnulfo Pedraza**, Chicago, IL  
(US)

*Primary Examiner* — Brett Miller

(74) *Attorney, Agent, or Firm* — David C. Beener

(\*\*) Term: **15 Years**

(21) Appl. No.: **29/685,803**

(57) **CLAIM**

(22) Filed: **Mar. 30, 2019**

The ornamental design for the hamburger templet slicer, as shown and described.

(51) **LOC (13) Cl.** ..... **07-04**

(52) **U.S. Cl.**  
USPC ..... **D7/673**

**DESCRIPTION**

(58) **Field of Classification Search**  
USPC ..... D7/672–677, 669, 381, 698, 693, 412,  
D7/368; D8/71; 30/114, 303, 289;  
83/762  
CPC ..... B26B 29/06; B26B 29/063; B26B 3/04;  
B26B 5/008; B26D 3/185; B26D 3/24;  
B26D 3/26; B26D 1/553; Y10T 83/695;  
Y10T 83/75; A47J 47/005; A21C 15/04;  
A21C 11/106; A21C 11/22  
See application file for complete search history.

FIG. 1 is a top perspective view of a first embodiment of the hamburger templet slicer showing my new design;  
FIG. 2 is a top view thereof;  
FIG. 3 is a side view thereof;  
FIG. 4 is a bottom perspective view thereof;  
FIG. 5 is a bottom view thereof;  
FIG. 6 is a top perspective view of a second embodiment of the hamburger templet slicer showing my new design;  
FIG. 7 is a top view thereof;  
FIG. 8 is a side view thereof;  
FIG. 9 is a bottom perspective view thereof;  
FIG. 10 is a bottom view thereof;  
FIG. 11 is a top perspective view of a third embodiment of the hamburger templet slicer showing my new design;  
FIG. 12 is a top view thereof;  
FIG. 13 is a side view thereof;  
FIG. 14 is a bottom perspective view thereof;  
FIG. 15 is a bottom view thereof;  
FIG. 16 is a top perspective view of a fourth embodiment of the hamburger templet slicer showing my new design;  
FIG. 17 is a top view thereof;  
FIG. 18 is a side view thereof;  
FIG. 19 is a bottom perspective view thereof; and,  
FIG. 20 is a bottom view thereof.

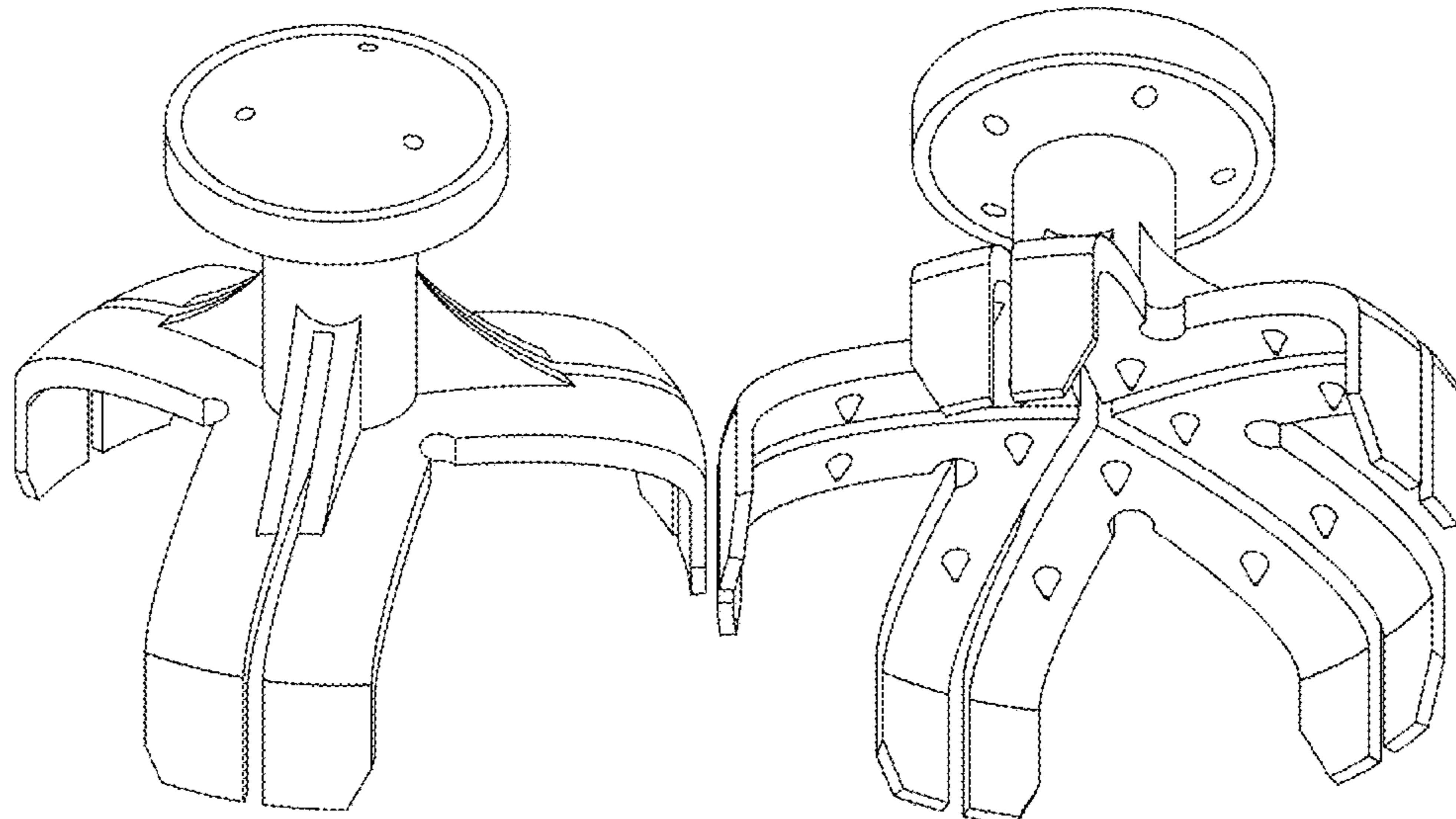
(56) **References Cited**

U.S. PATENT DOCUMENTS

1,581,310 A 4/1926 Fetschan  
1,643,708 A \* 9/1927 Engert ..... A47G 21/02  
30/148  
2,089,980 A \* 8/1937 Owen ..... B26B 29/063  
83/762  
2,108,992 A \* 2/1938 Obenshain ..... B26B 29/063  
83/762  
D131,301 S \* 2/1942 Jacobsen ..... D7/673  
2,487,234 A \* 11/1949 Gore ..... A47G 19/26  
33/525  
2,652,087 A 9/1953 Turpin  
2,925,110 A \* 2/1960 Bayers ..... B26B 29/063  
33/525

(Continued)

**1 Claim, 10 Drawing Sheets**



(56)

**References Cited**

U.S. PATENT DOCUMENTS

3,319,682	A *	5/1967	Hall	.....	A47J 47/00 269/288
D218,057	S *	7/1970	Gruska	.....	D7/412
3,566,424	A *	3/1971	Burbig	.....	A47J 43/288 7/113
4,341,376	A	7/1982	Germinario		
4,580,343	A *	4/1986	Bell, Jr.	.....	B26B 29/063 269/3
4,948,106	A *	8/1990	Popeil	.....	B26B 29/063 269/295
D331,524	S *	12/1992	Buday	.....	D7/673
5,832,800	A	11/1998	Donoghue		
6,557,260	B1	5/2003	Morris		
D629,661	S *	12/2010	Lion	.....	D7/672
8,959,776	B2 *	2/2015	Shipp	.....	B26B 29/063 269/289 R
9,701,030	B1	7/2017	Foate		
D823,048	S *	7/2018	Phillips-Solomon	.....	D7/381
D880,940	S *	4/2020	Wang	.....	D7/412
D885,147	S *	5/2020	Chesko	.....	D7/677
D891,180	S *	7/2020	Fastabend	.....	D7/412
2002/0194738	A1 *	12/2002	Francisco	.....	B26B 29/063 30/291
2009/0282990	A1	11/2009	Farnum		
2015/0217470	A1 *	8/2015	Lowetz	.....	B26B 29/063 83/39
2019/0299478	A1 *	10/2019	Pedraza	.....	B26B 29/063

\* cited by examiner

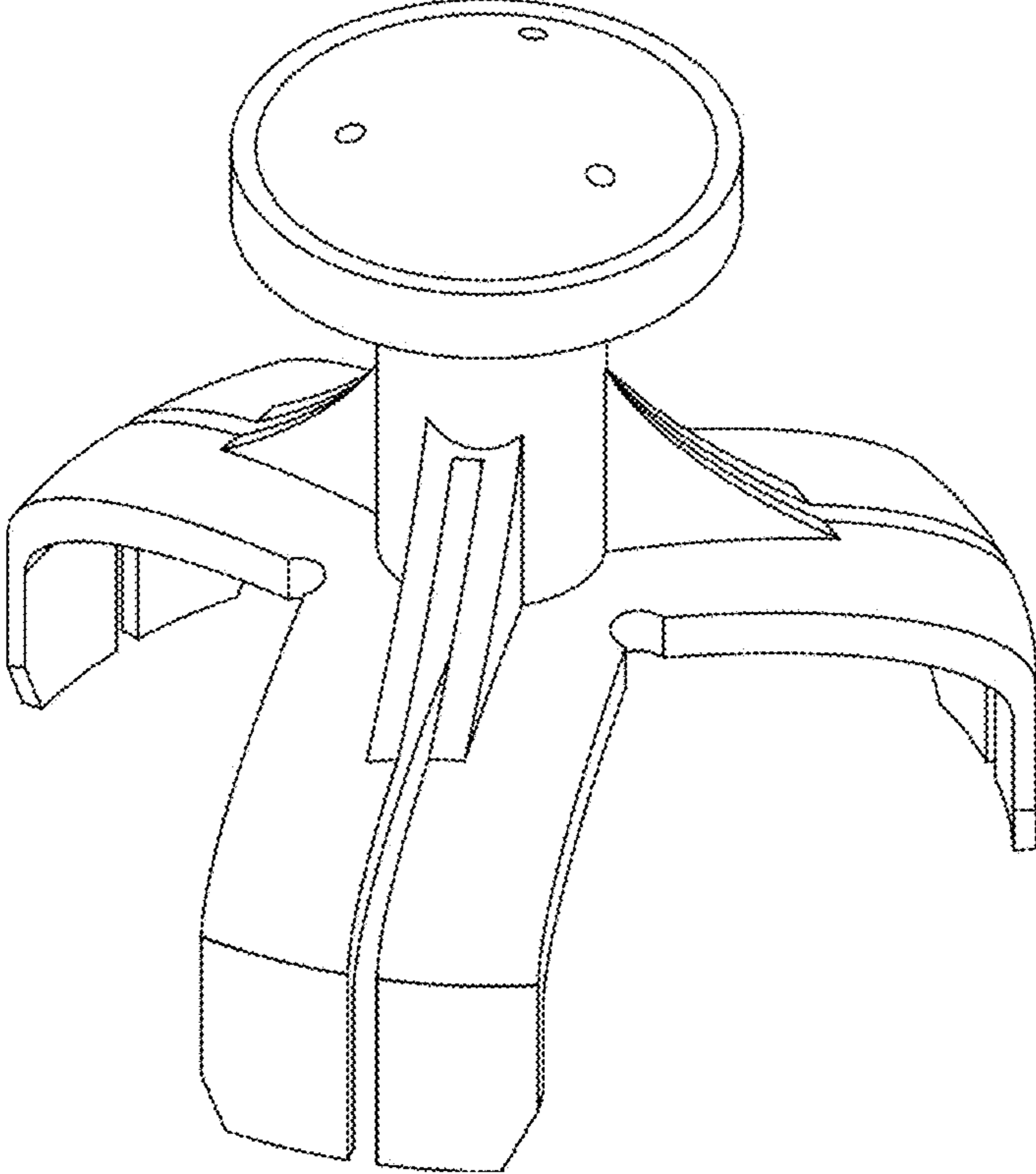


Fig. 1

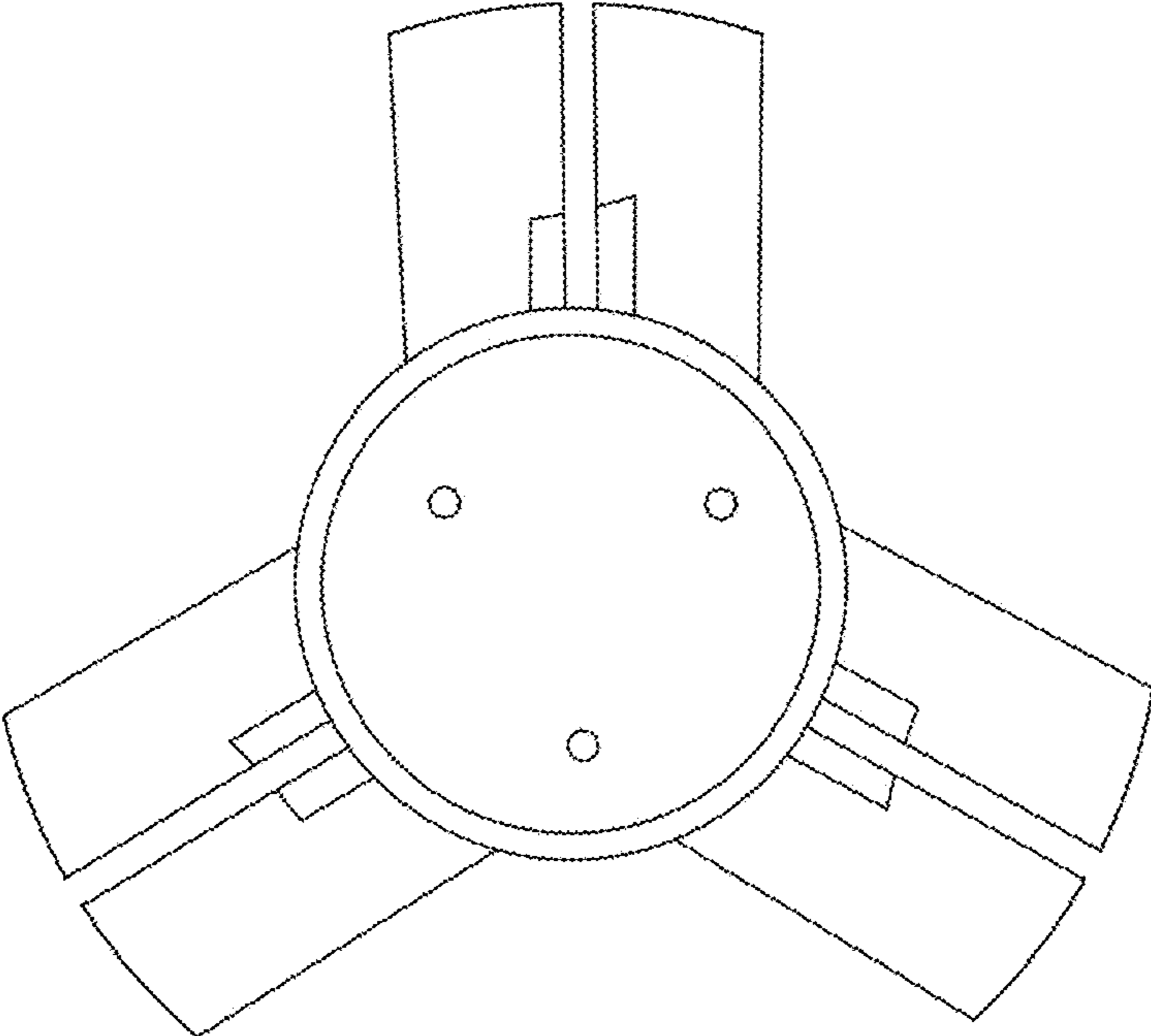


Fig. 2

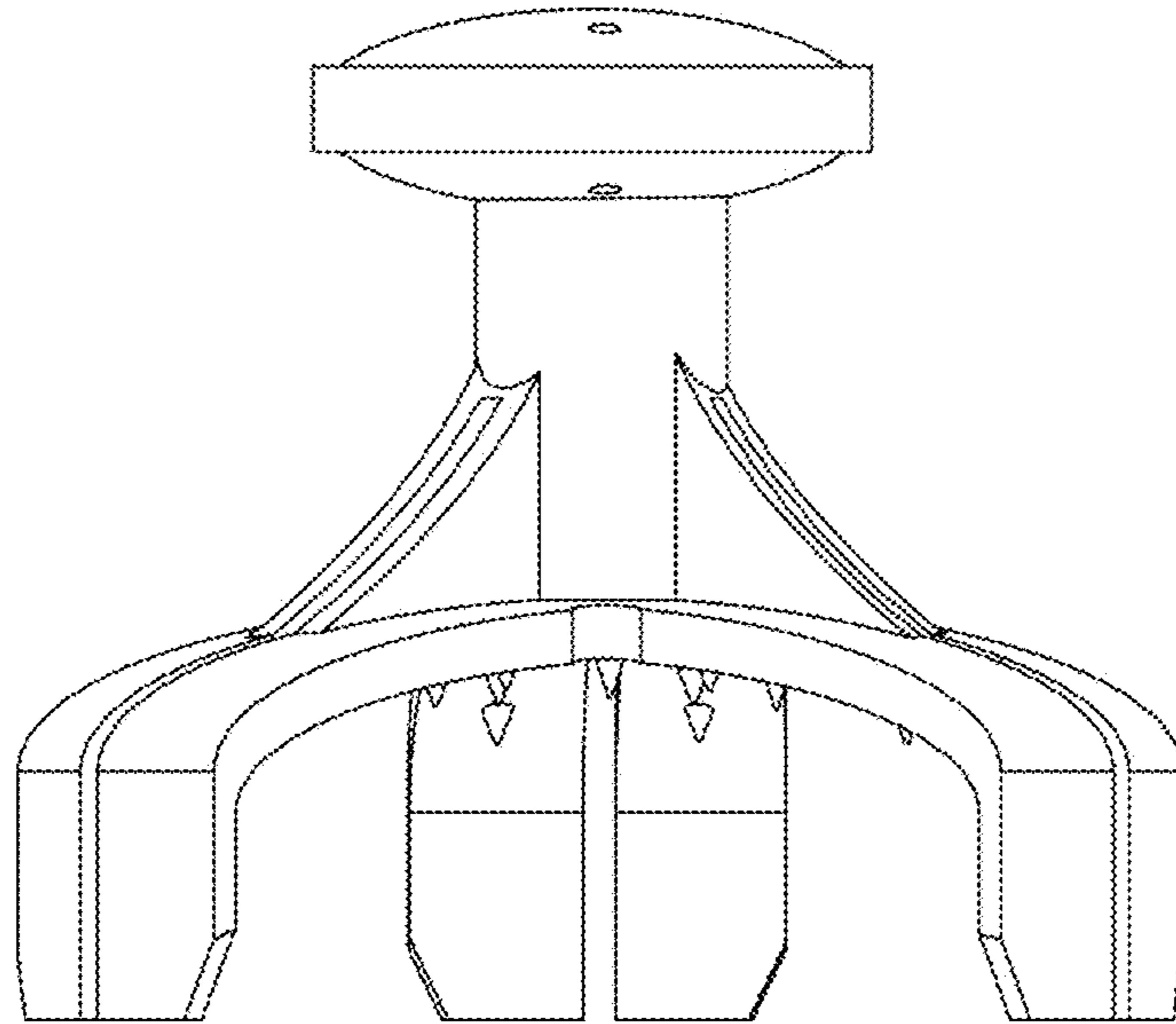


Fig. 3

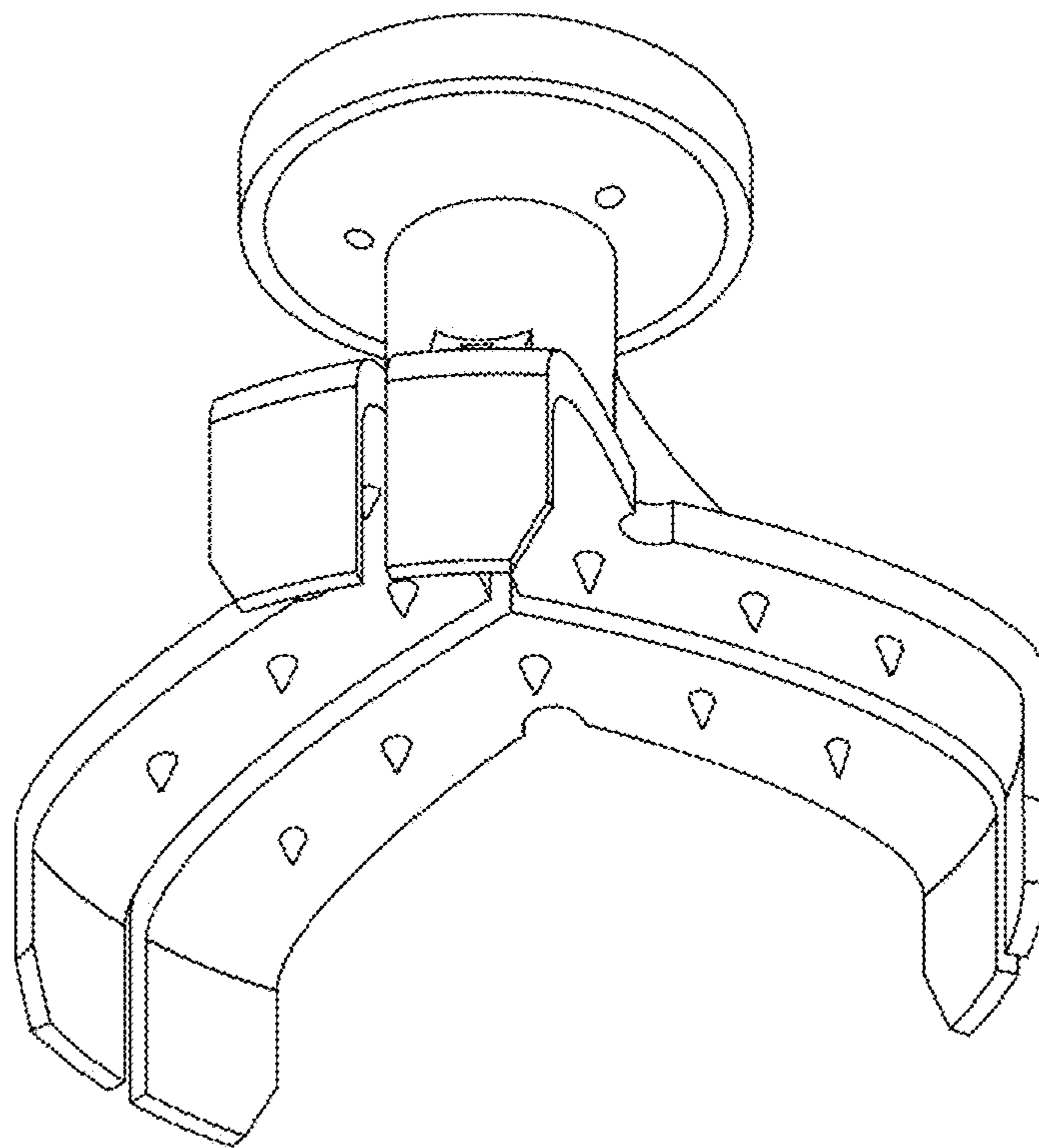


Fig. 4

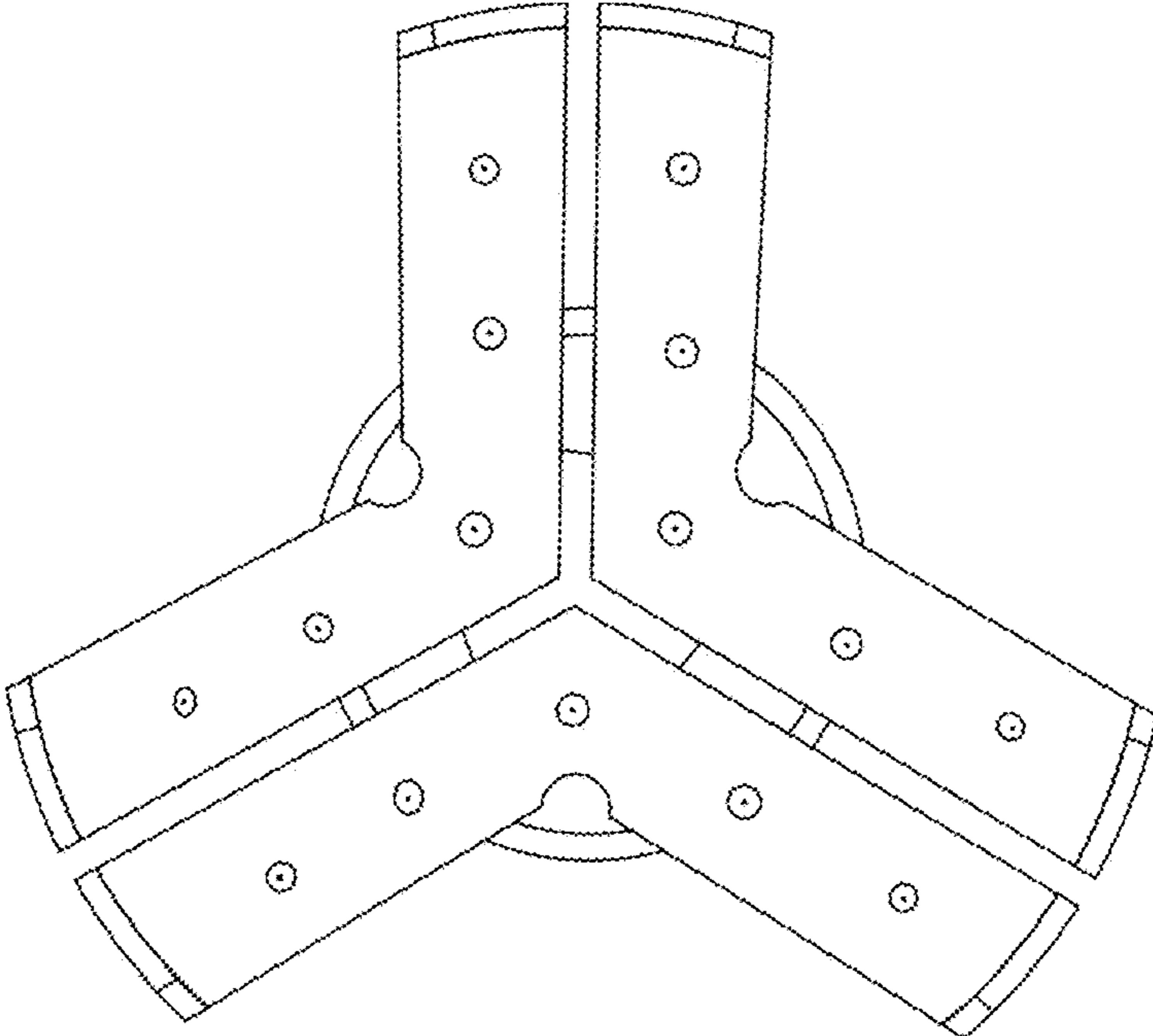


Fig. 5

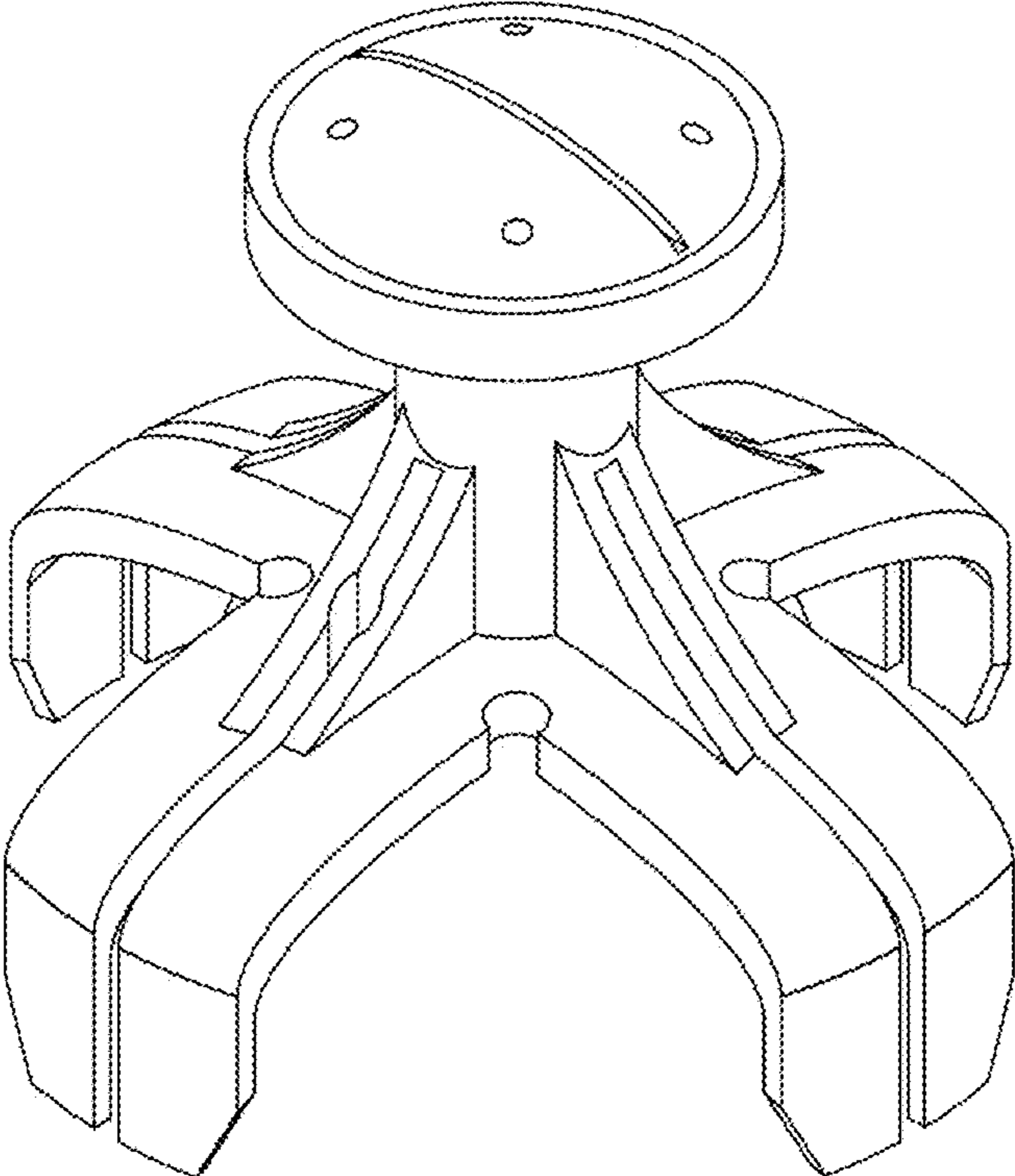


Fig. 6

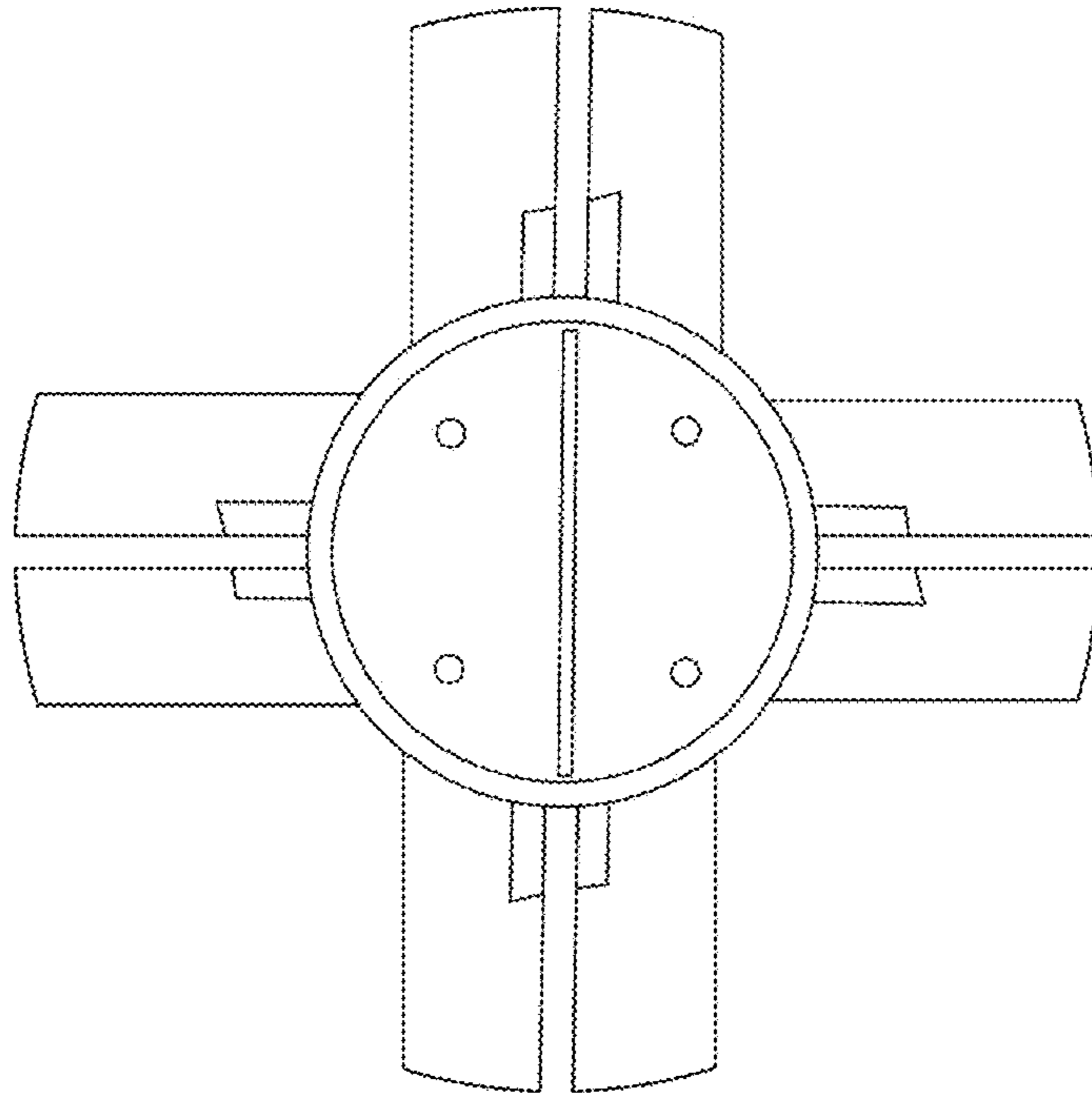


Fig. 7

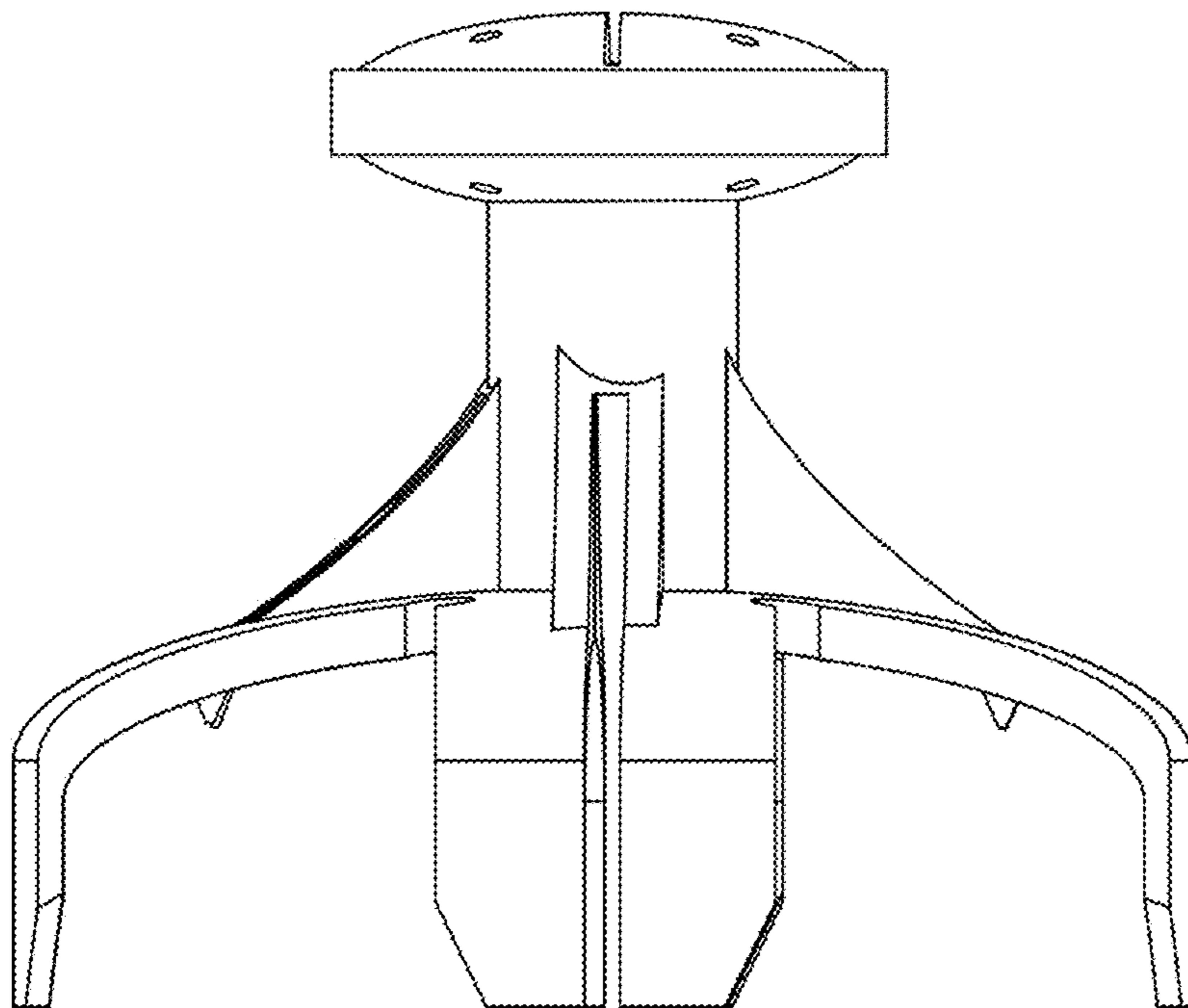


Fig. 8

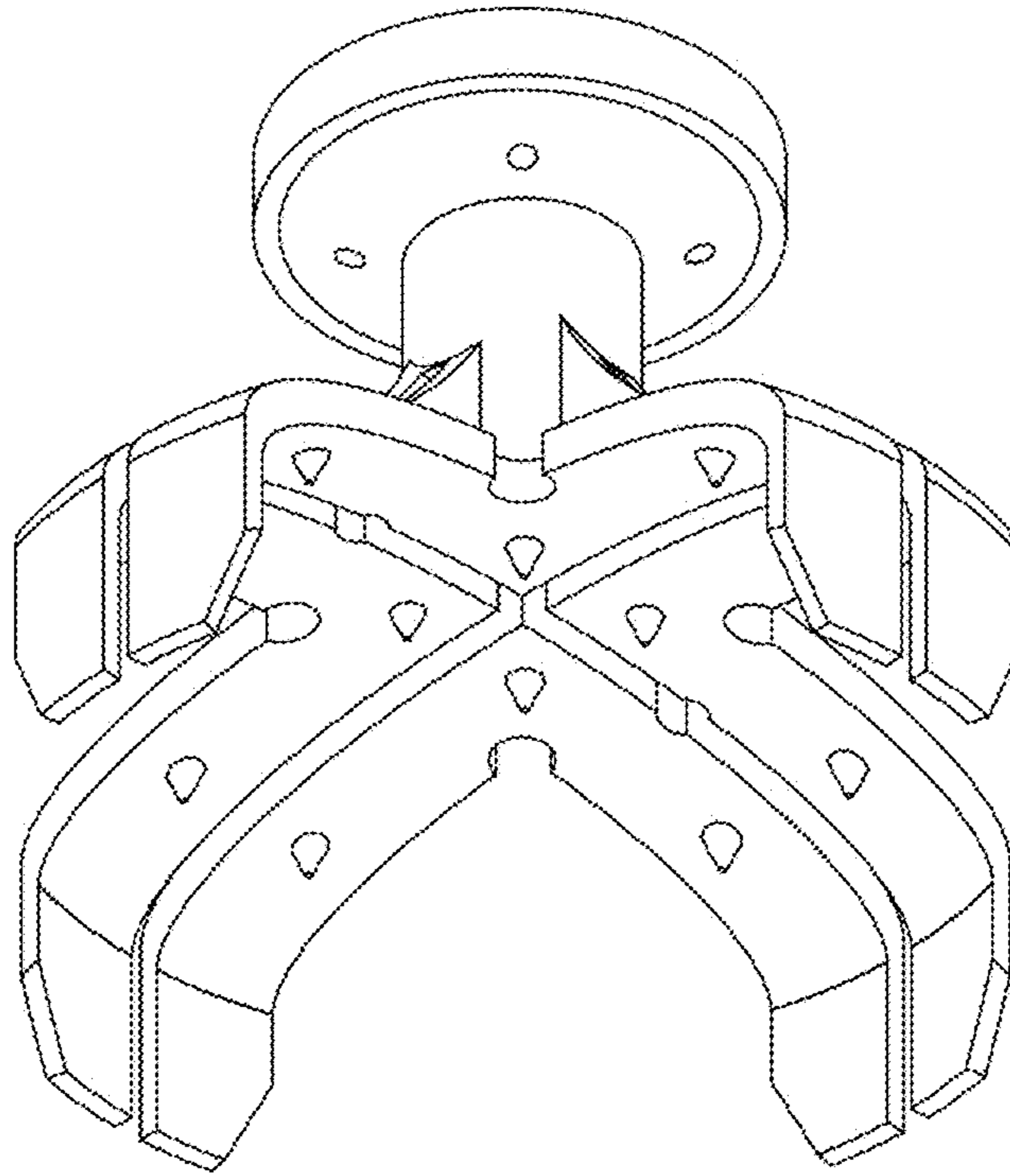


Fig. 9

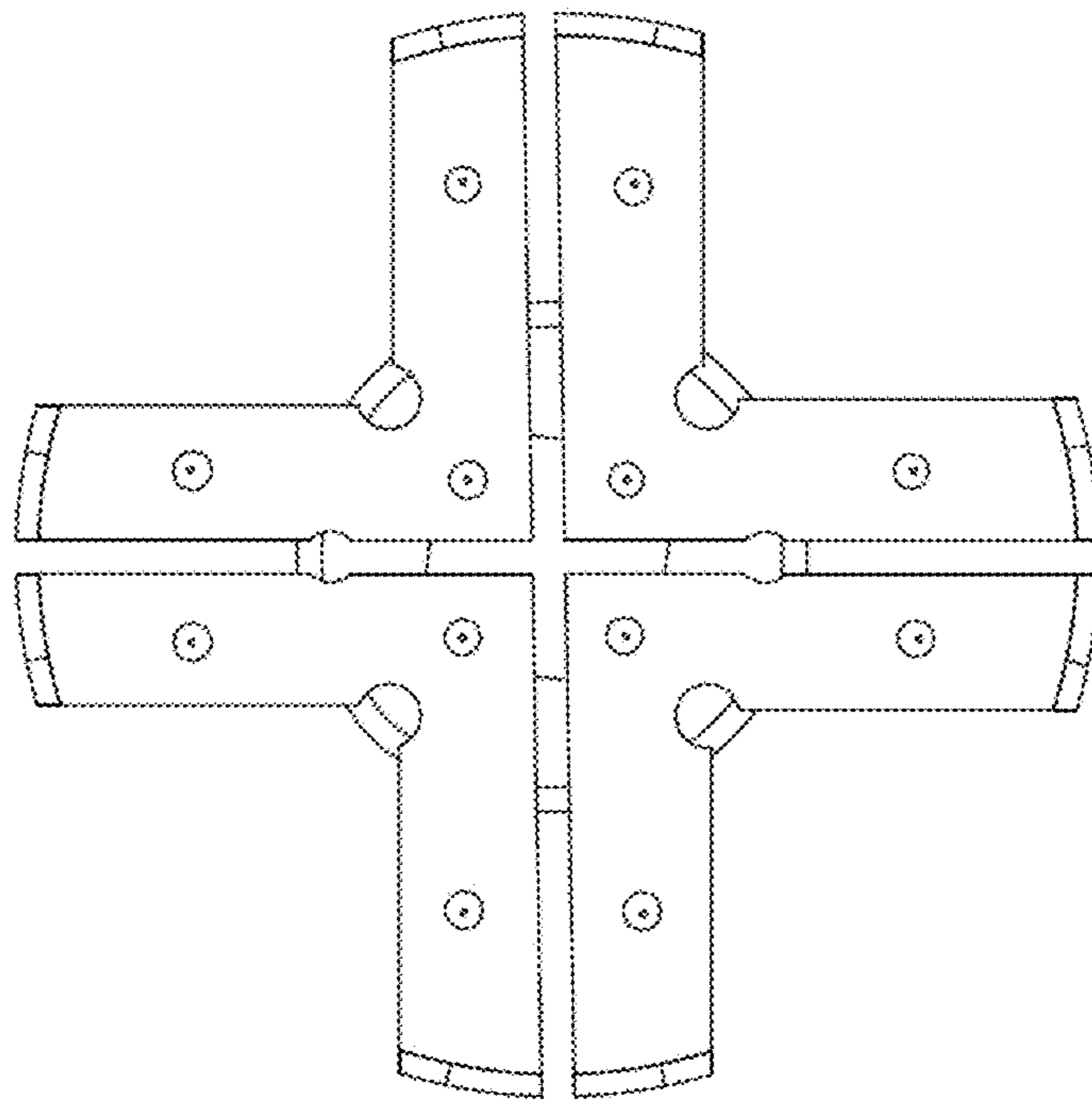


Fig. 10

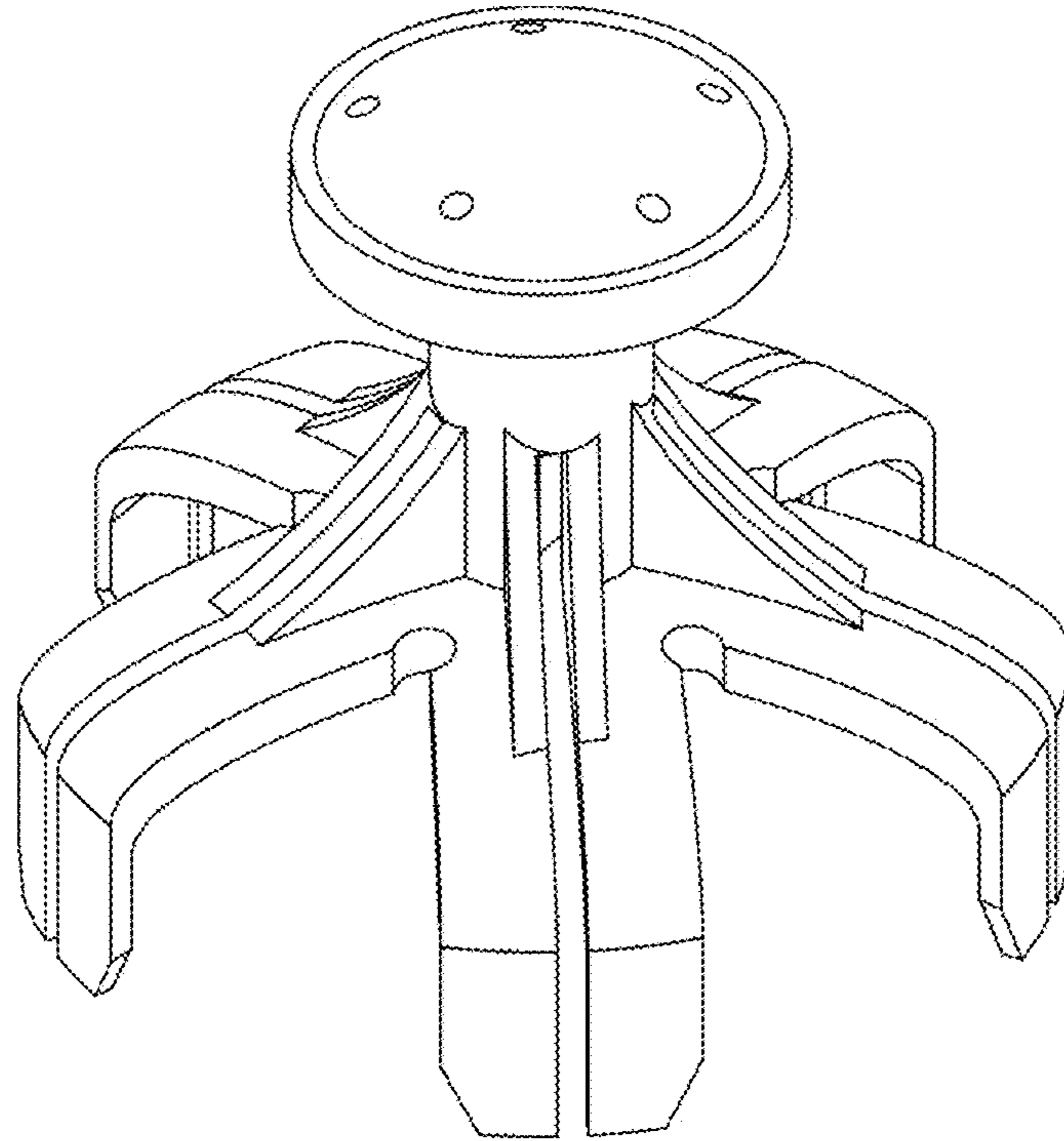


Fig. 11

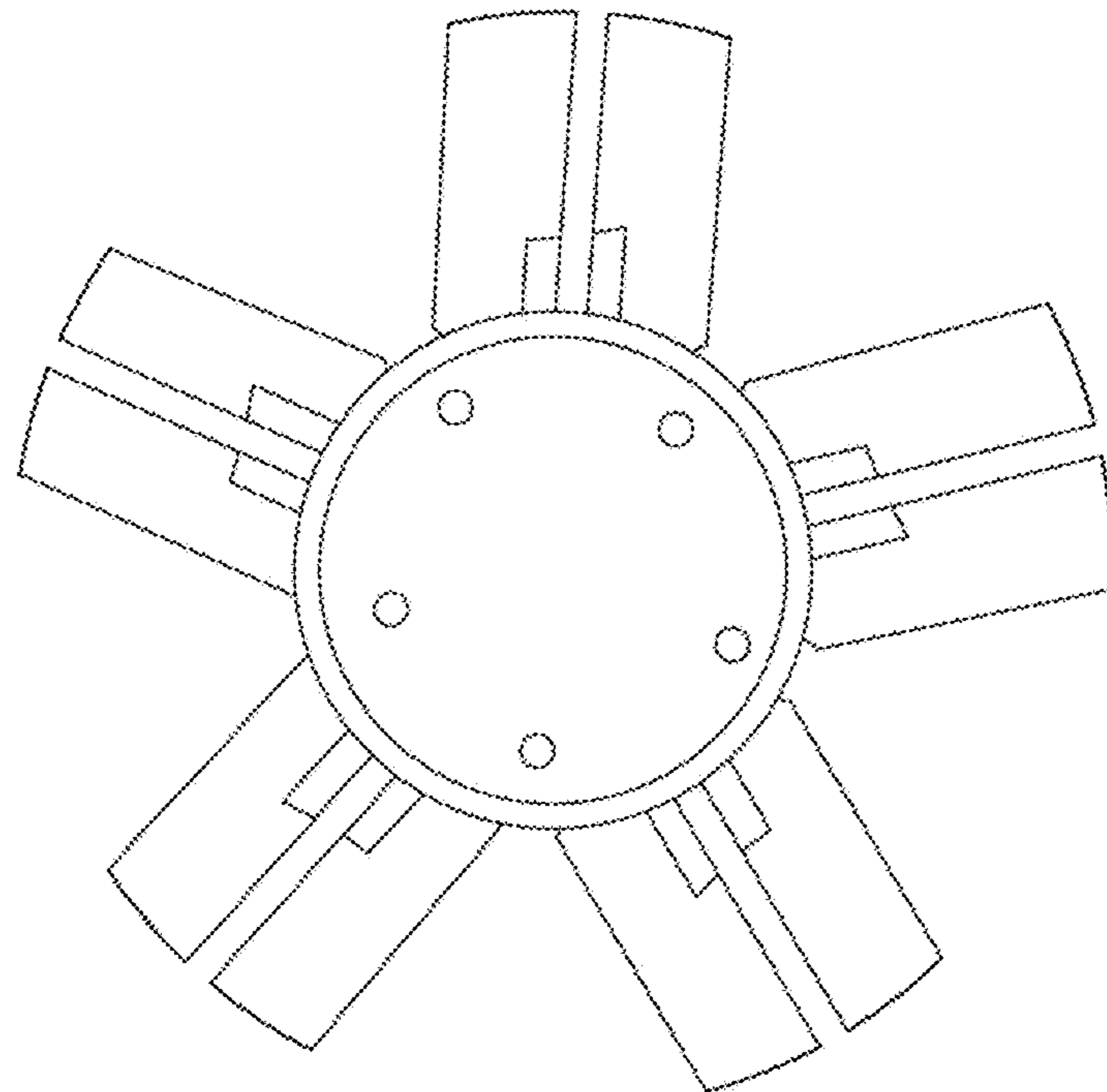


Fig. 12



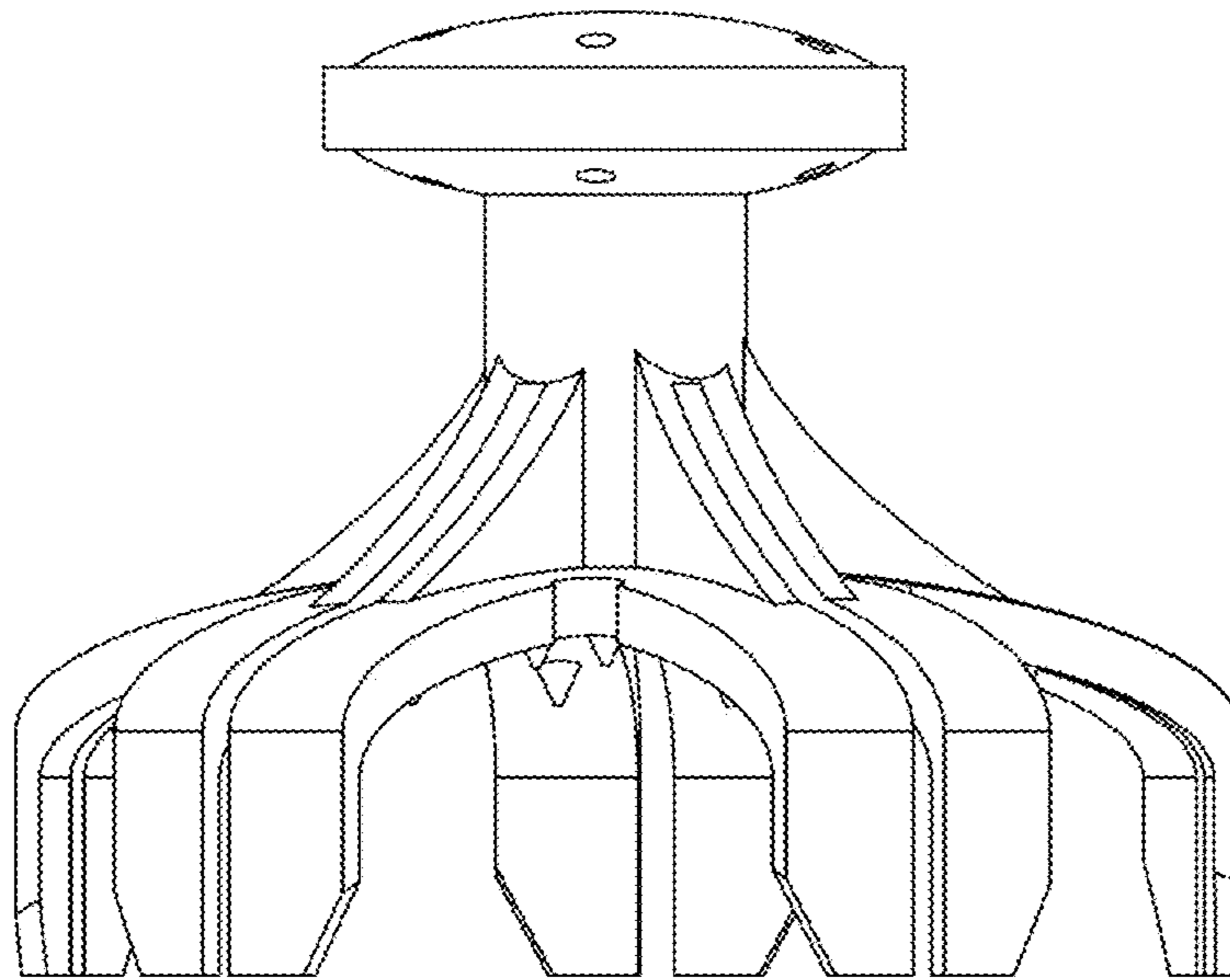


Fig. 13

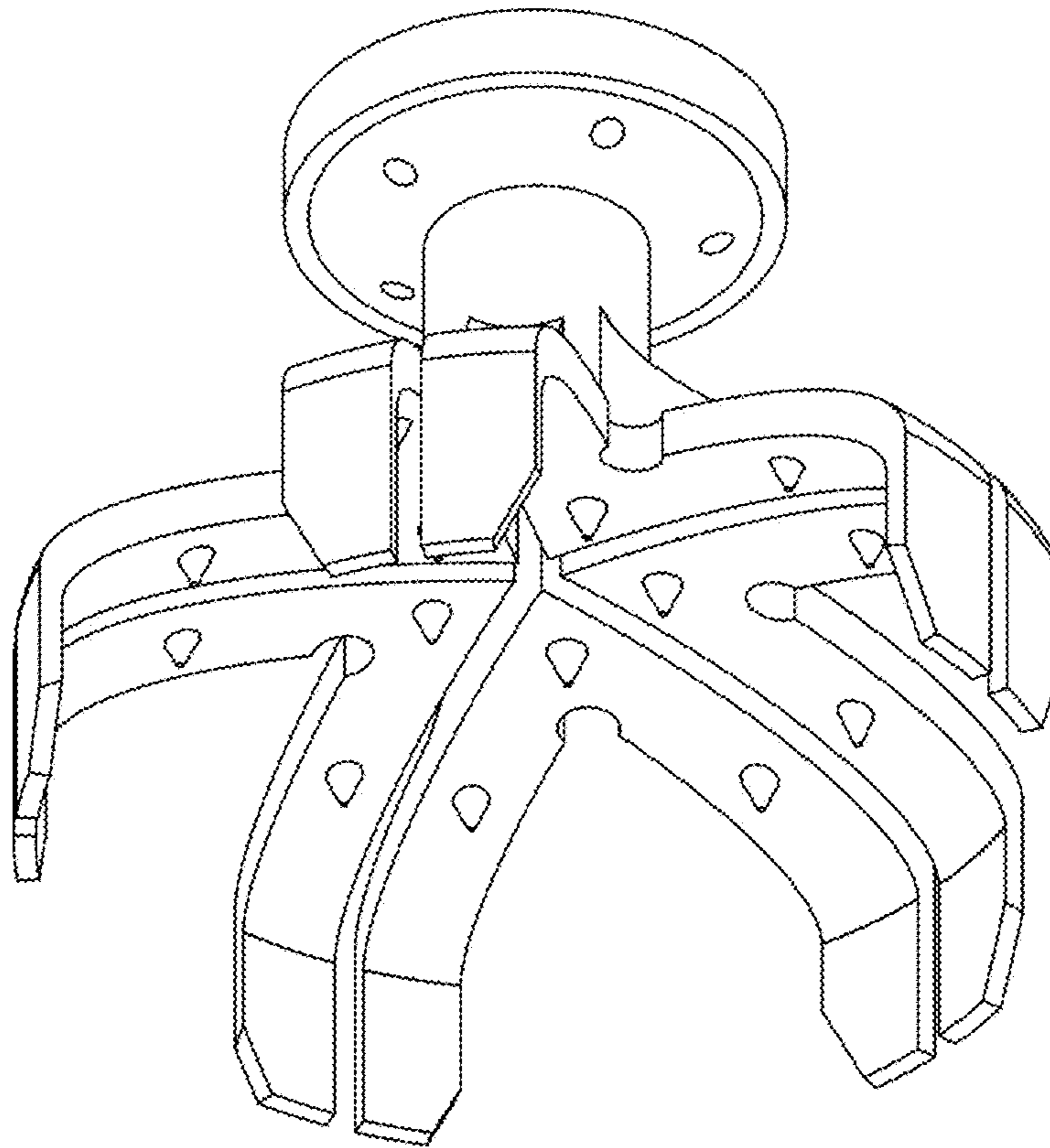


Fig. 14

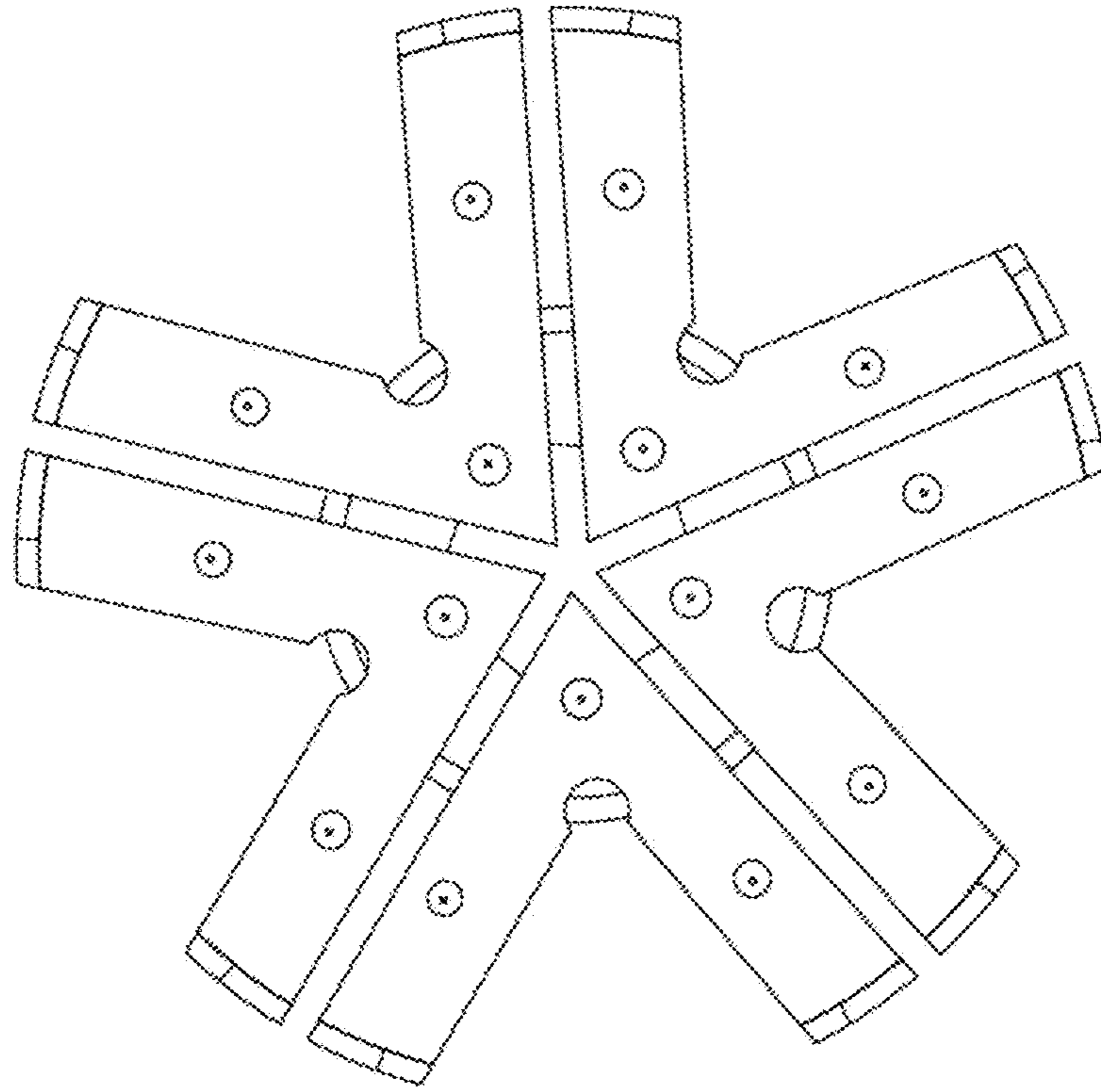


Fig. 15

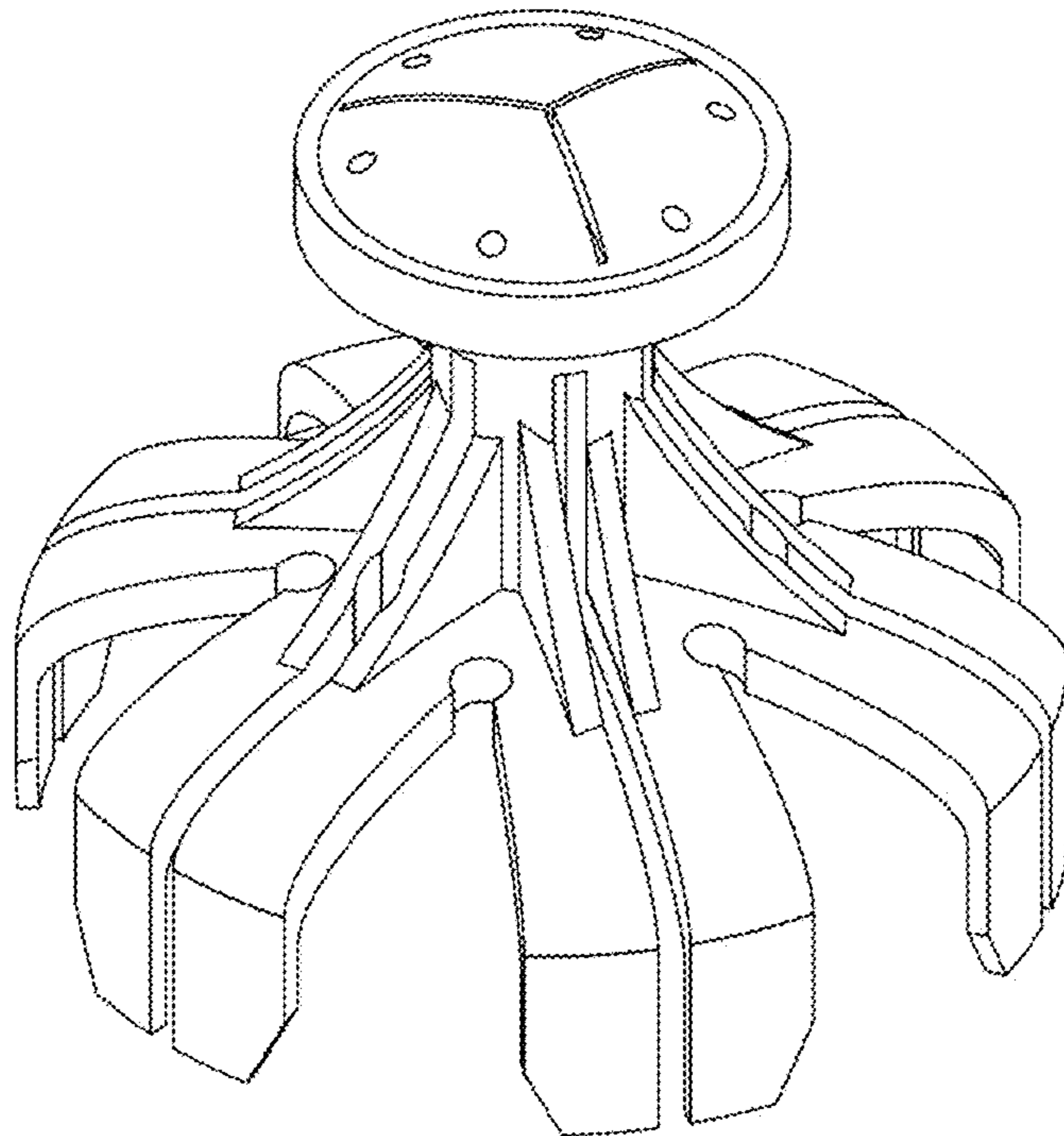


Fig. 16

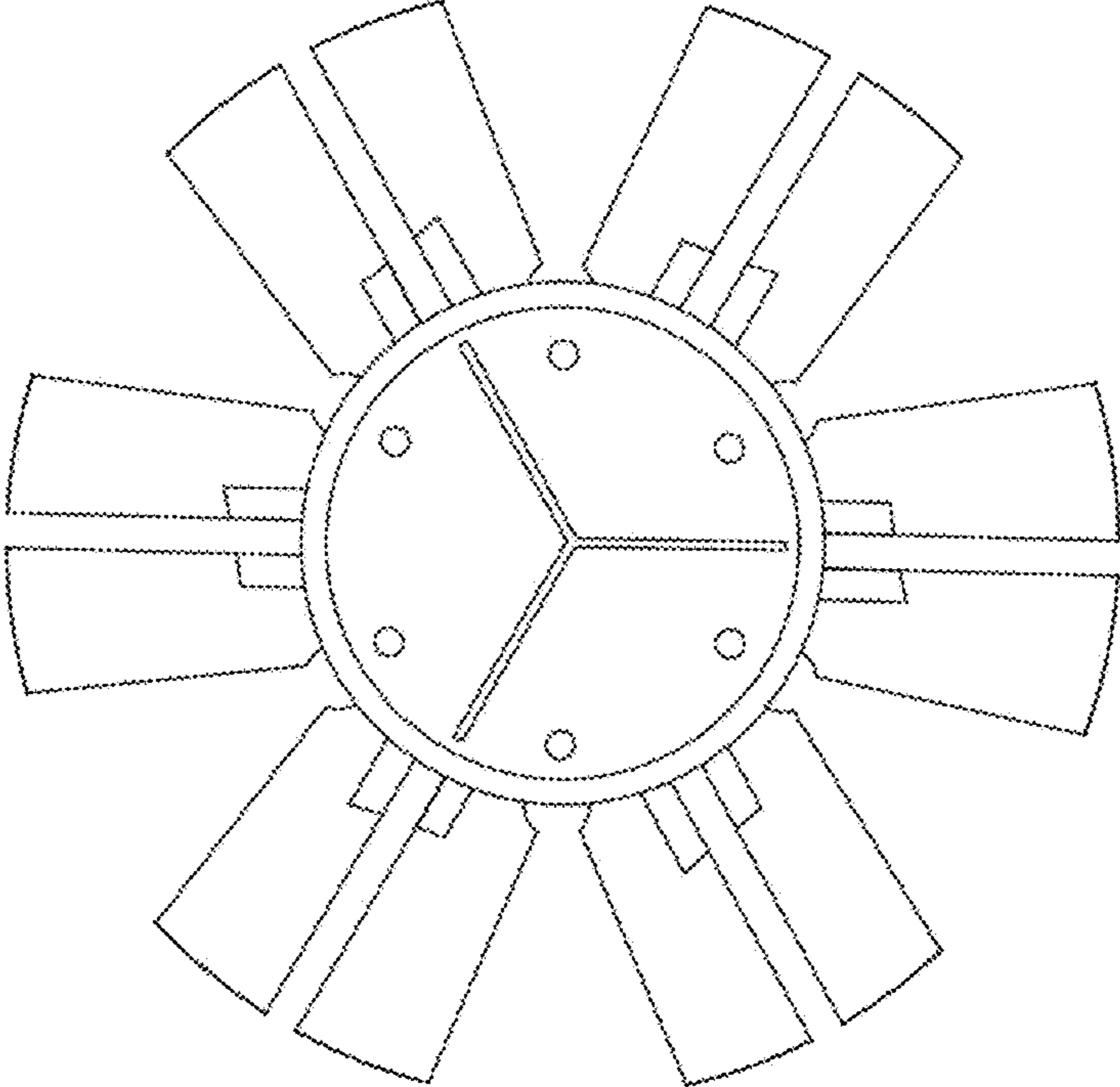


Fig. 17

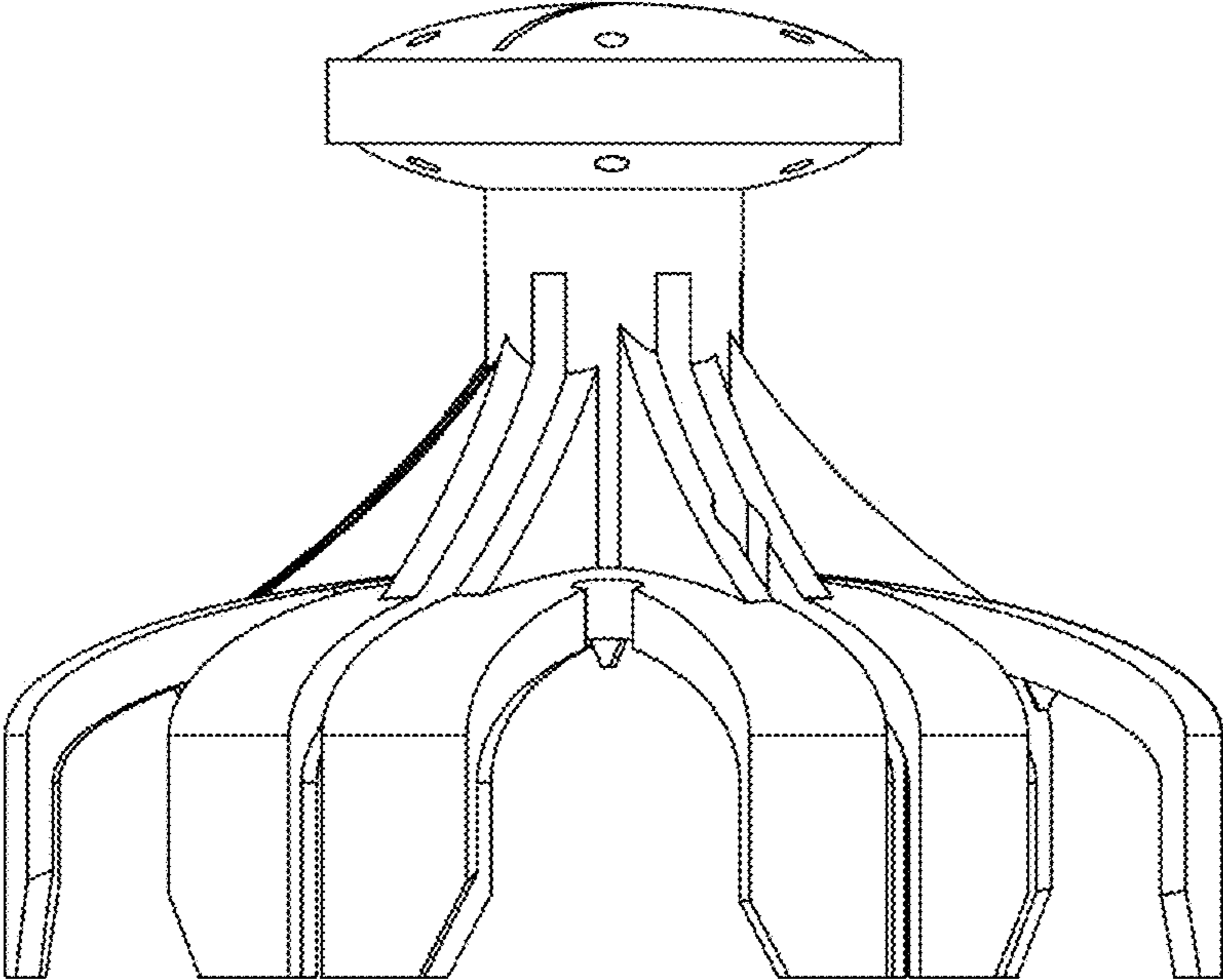


Fig. 18

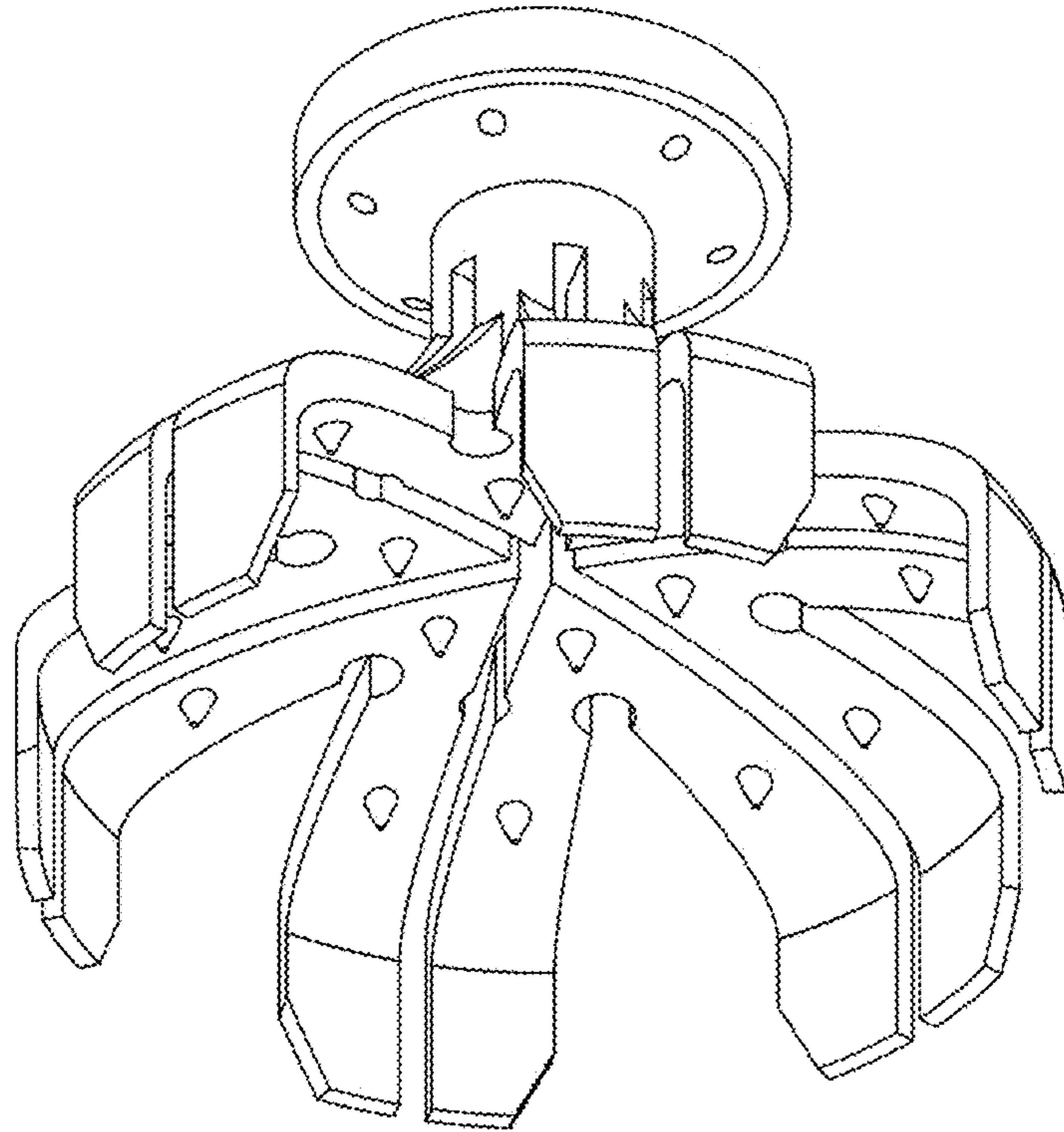


Fig. 19

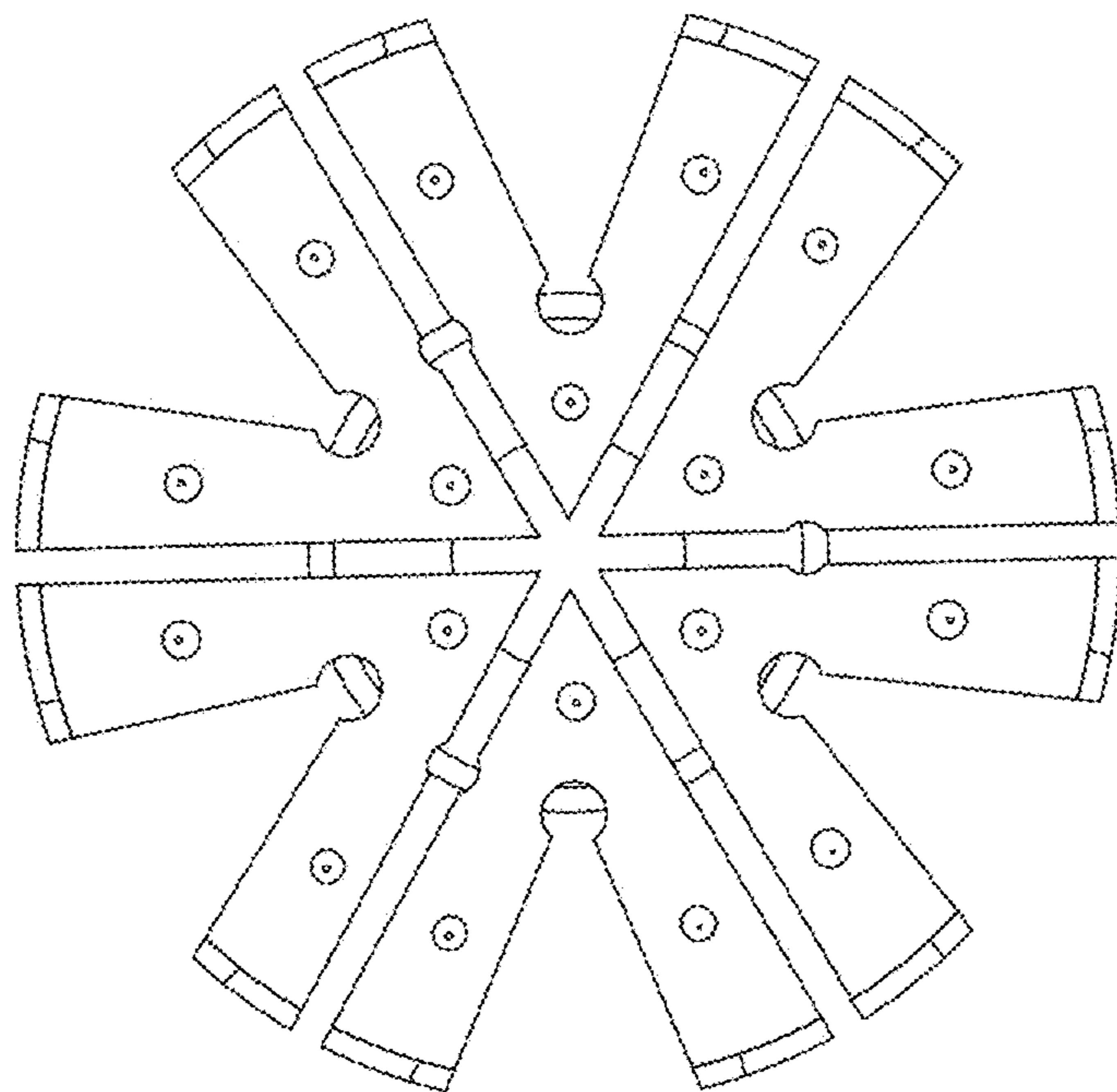


Fig. 20