



US00D911122S

(12) **United States Design Patent** (10) **Patent No.:** **US D911,122 S**
deBretton Gordon (45) **Date of Patent:** **** Feb. 23, 2021**

(54) **KNIFE BLOCK** 6,854,186 B2 * 2/2005 Basden A47G 21/14
248/37.3
(71) Applicant: **Robert Welch Designs Ltd.,** D548,540 S * 8/2007 Abo D7/637
Gloucestershire (GB) D548,541 S * 8/2007 Jackson D7/640
D572,982 S 7/2008 de Bretton Gordon
(72) Inventor: **Iain Paul deBretton Gordon,** Shipston 7,637,803 B2 12/2009 Welch
on Stour (GB) D657,634 S 4/2012 de Bretton Gordon
D657,635 S 4/2012 de Bretton Gordon
(73) Assignee: **Robert Welch Designs Ltd.,** Chipping 8,312,633 B2 * 11/2012 Garman B67B 7/16
Campden (GB) 30/400
8,721,403 B2 5/2014 Welch
D712,706 S 9/2014 de Bretton Gordon
(**) Term: **15 Years** (Continued)

(21) Appl. No.: **29/696,931**

(22) Filed: **Jul. 2, 2019**

(30) **Foreign Application Priority Data**

Feb. 7, 2019 (EM) 006189536
Feb. 7, 2019 (EM) 006189536

(51) **LOC (13) Cl.** **07-99**

(52) **U.S. Cl.**
USPC **D7/637**

(58) **Field of Classification Search**
USPC D3/304, 306, 316; D6/566, 567, 573,
D6/574; D7/631, 637-641; D19/75, 81,
D19/83-86, 90, 92
CPC A47B 88/00; A47G 21/14; A47G 21/16;
A47G 21/184; A47G 23/06; A47G
29/087; A47J 45/02; A47J 47/16; B65D
1/34; B65D 1/36
See application file for complete search history.

(56) **References Cited**

U.S. PATENT DOCUMENTS

D329,766 S * 9/1992 Ancona 211/70
D381,687 S * 7/1997 Skoko D19/85
5,775,518 A * 7/1998 Connor A47G 21/14
211/163
D434,615 S * 12/2000 Chien D7/637

OTHER PUBLICATIONS

Arthur Price Kitchen Black Handle and Blade Acacia Knife Block
5pc, Dawsons ECOOKSHOP, [https://www.ecookshop.co.uk/ecookshop/
product.asp?pid=ZAPK7016](https://www.ecookshop.co.uk/ecookshop/product.asp?pid=ZAPK7016), accessed Jul. 31, 2019.
(Continued)

Primary Examiner — Janice Patyk
(74) *Attorney, Agent, or Firm* — MacMillan, Sobanski &
Todd, LLC

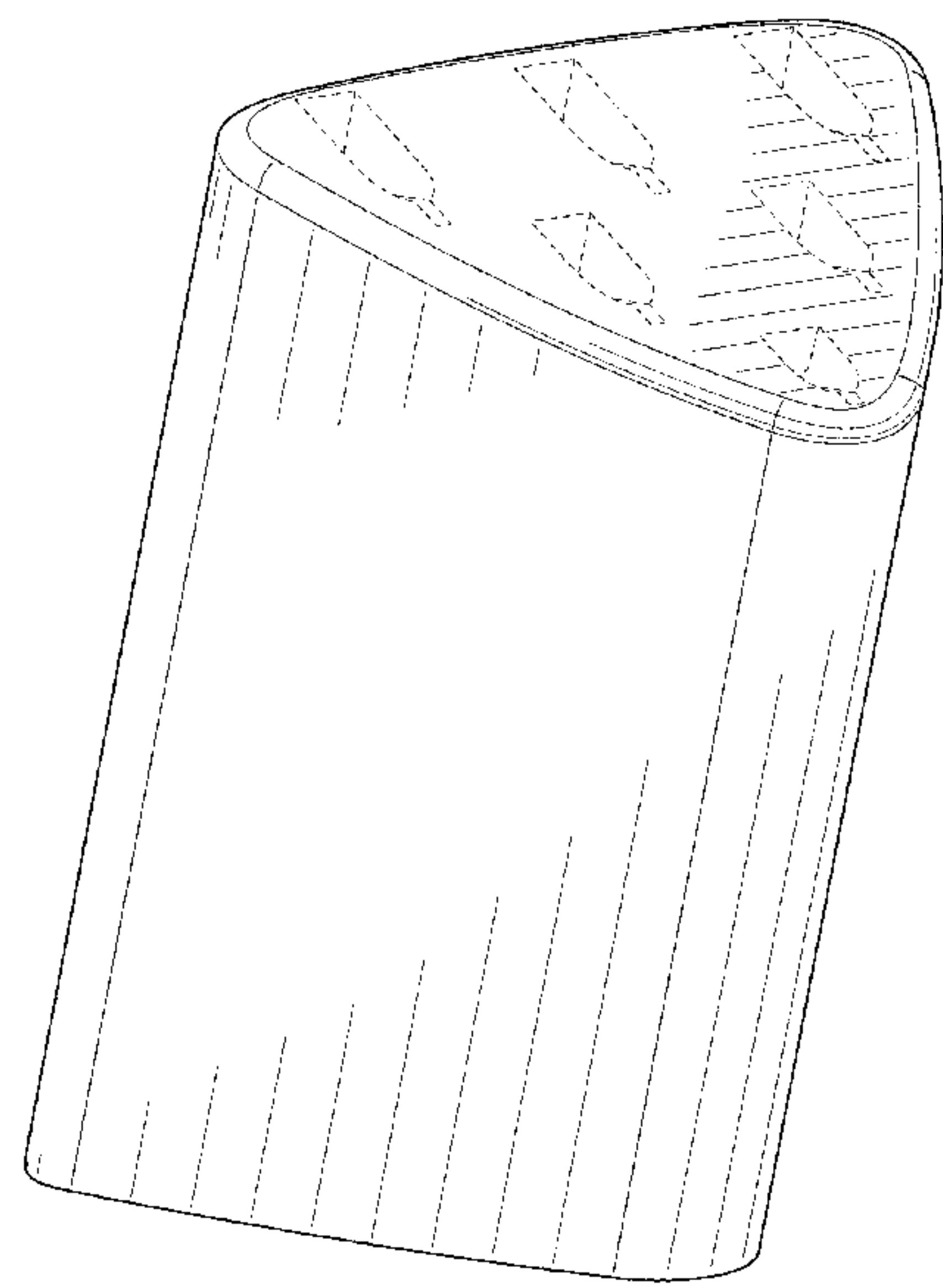
(57) **CLAIM**

The ornamental design for a knife block as shown and
described.

DESCRIPTION

FIG. 1 is a perspective view of a knife block showing my
new design.
FIG. 2 is a front view thereof.
FIG. 3 is a rear view thereof.
FIG. 4 is a left side view thereof, the right side view being
a mirror image thereof.
FIG. 5 is a top view thereof; and,
FIG. 6 is a bottom view thereof.
The broken lines in the figures illustrate the portions of the
design that form no part of the claimed design.

1 Claim, 4 Drawing Sheets



(56)

References Cited

U.S. PATENT DOCUMENTS

D779,893 S 2/2017 de Bretton Gordon et al.
9,770,126 B2 * 9/2017 Ludeman A47J 47/16

OTHER PUBLICATIONS

Ron Wooden Knife Block, BergHOFF Worldwide, <https://www.wayfair.co.uk/kitchenware-tableware/pdp/berghoff-worldwide-ron-wooden-knife-block-aaiq1077.html?piid=>, accessed Jul. 31, 2019.
Wüsthof TR7249 Brown Wood Magnetic Knife Block, <https://www.amazon.co.uk/W%C3%BCsthof-TR7249-Brown-Magnetic-Knife-Block/dp/B00C01YEBE>, accessed Sep. 6, 2019.

* cited by examiner

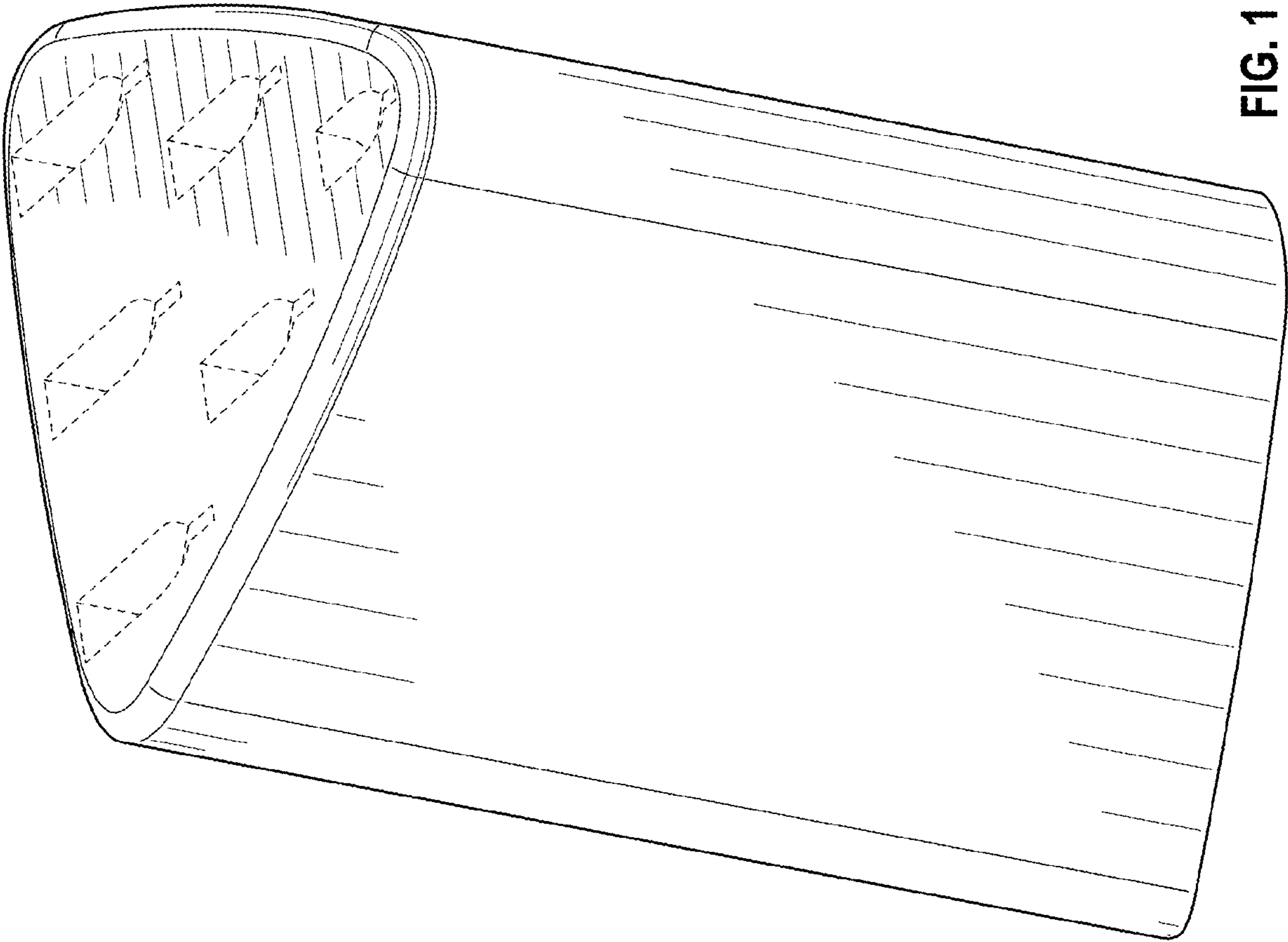


FIG. 1

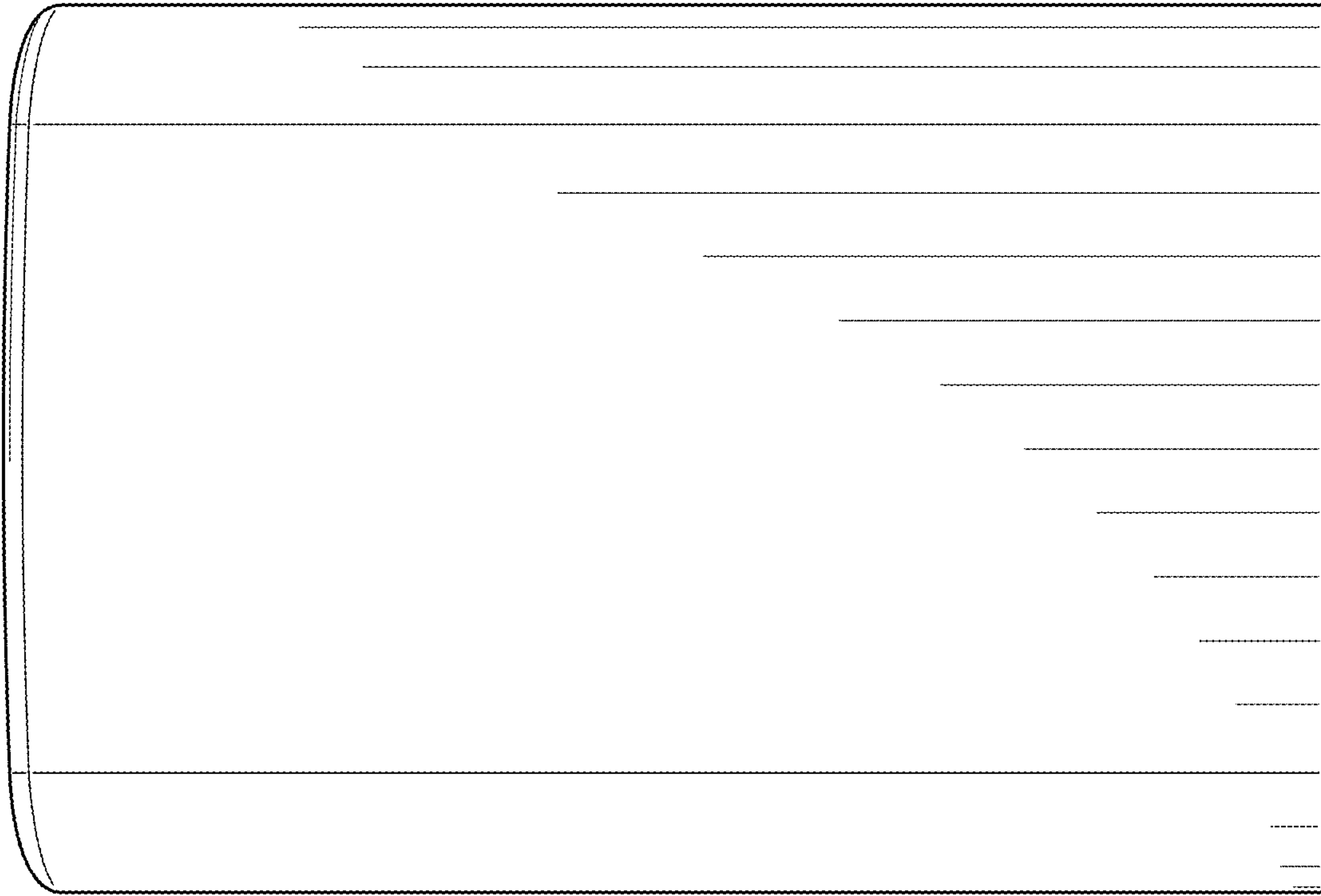


FIG. 3

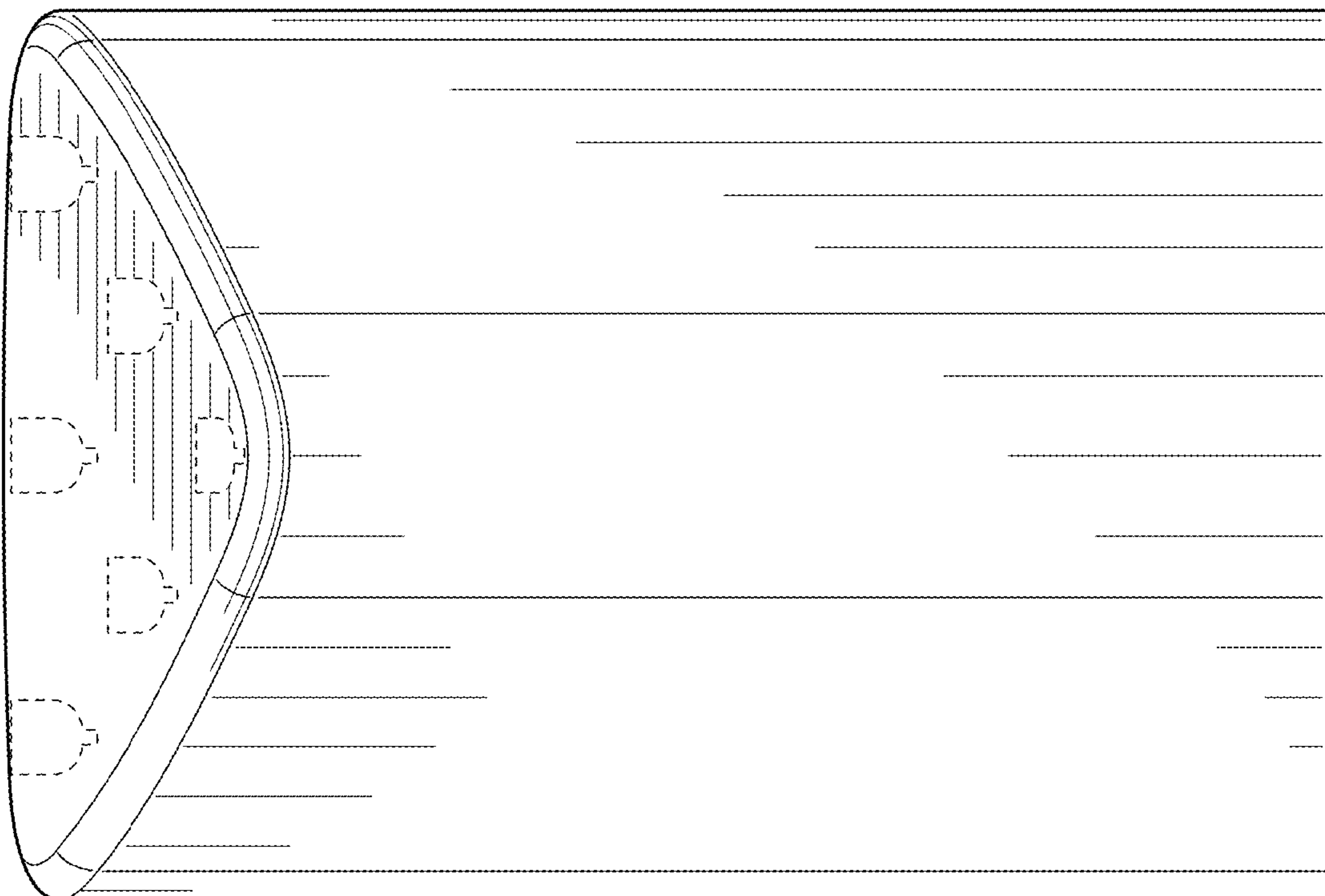


FIG. 2

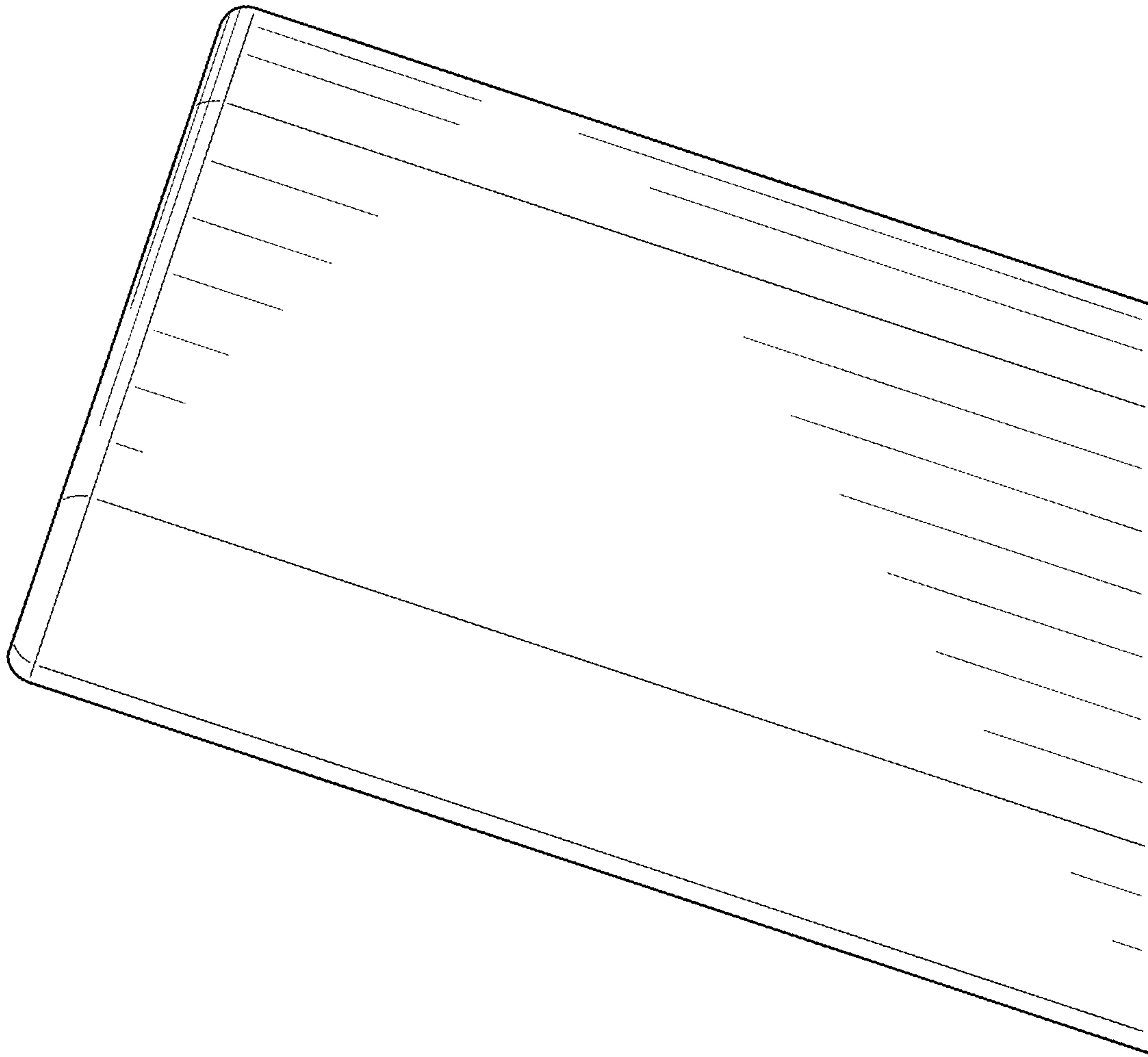


FIG. 4

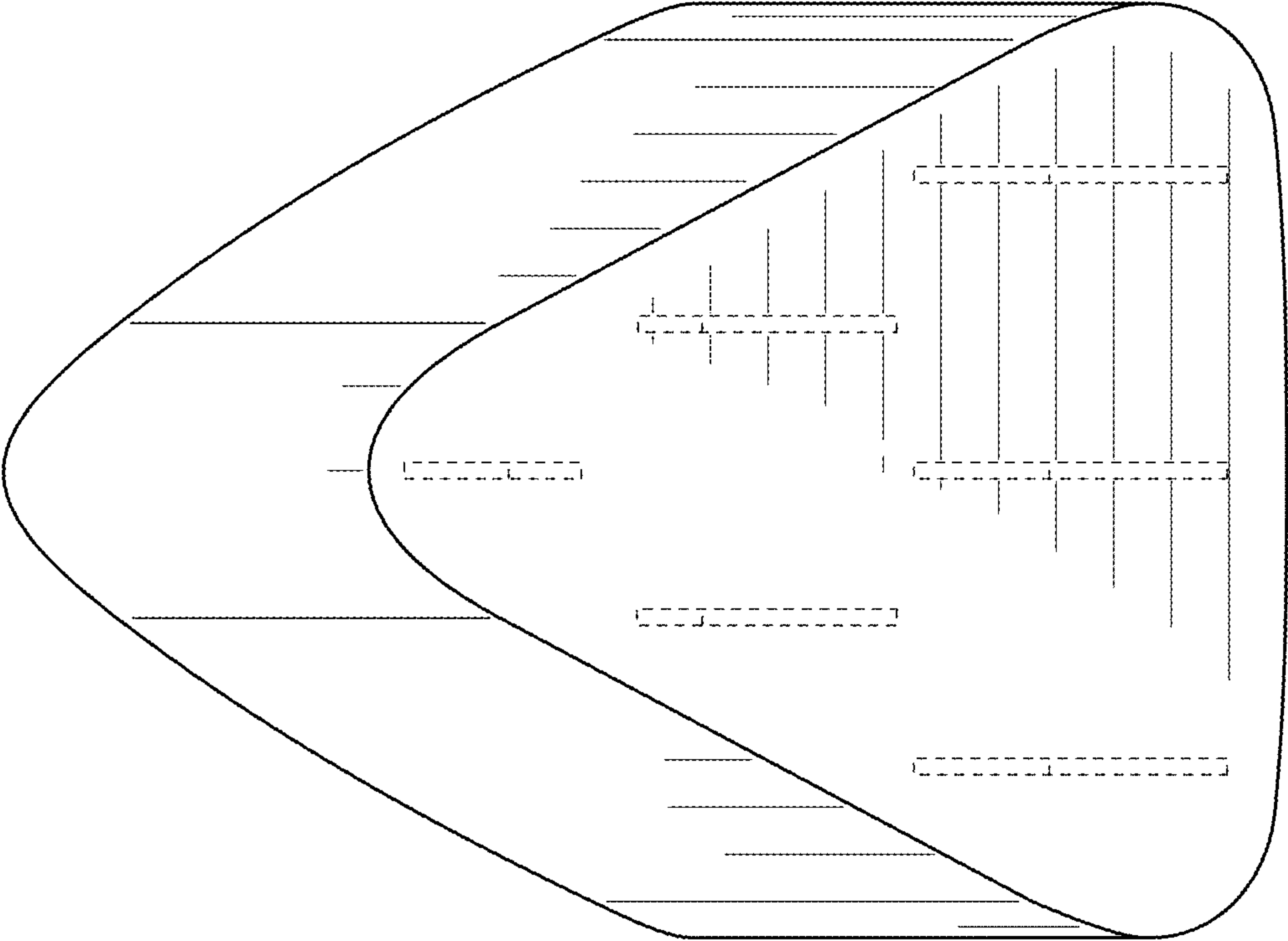


FIG. 6

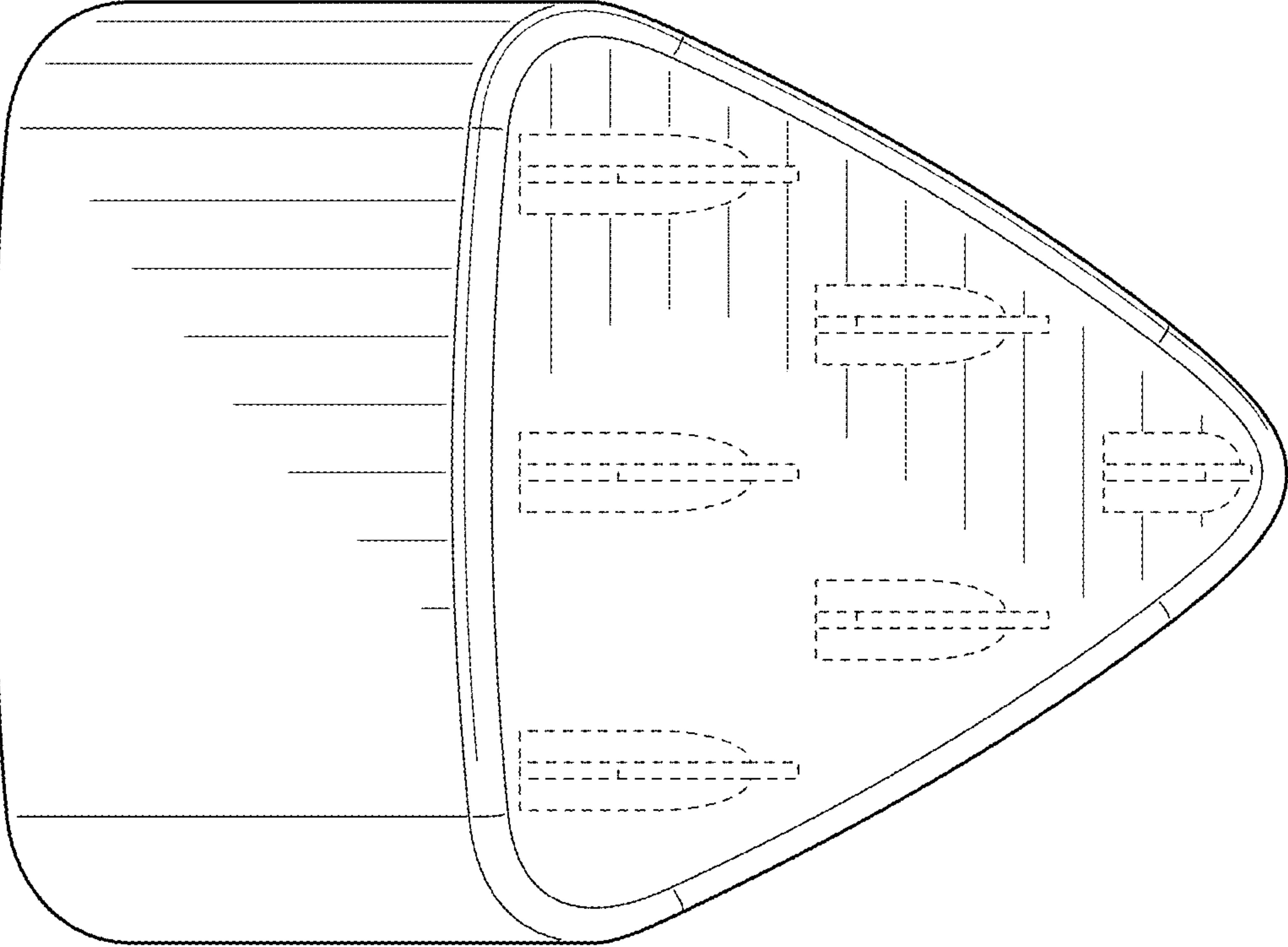


FIG. 5