



US00D911120S

(12) **United States Design Patent** (10) **Patent No.:** **US D911,120 S**  
**Young et al.** (45) **Date of Patent:** **\*\* Feb. 23, 2021**

(54) **DISPENSER**  
(71) Applicant: **San Jamar, Inc.**, Elkhorn, WI (US)  
(72) Inventors: **Michael Young**, Mukwonago, WI (US);  
**Jarod Sulik**, Elkhorn, WI (US)  
(73) Assignee: **San Jamar, Inc.**, Elkhorn, WI (US)  
(\*\*) Term: **15 Years**  
(21) Appl. No.: **29/674,917**  
(22) Filed: **Dec. 27, 2018**  
(51) **LOC (13) Cl.** ..... **07-06**  
(52) **U.S. Cl.**  
USPC ..... **D7/631**  
(58) **Field of Classification Search**  
USPC ..... D3/306; D6/566-574; D7/631,  
D7/637-641; 211/41.4, 70.7, 85.31,  
211/90.03, 106, 126.8, 126.9, 133.2,  
211/133.5; 220/485-488, 491; 248/37.3,  
248/37.6, 153, 175  
CPC ... A47B 88/00; A47B 8/20; A47F 7/00; A47F  
7/14; A47G 21/00; A47G 21/16; B65D  
1/34; B65D 1/36; B65D 21/046; B65D  
21/048; G09F 1/14  
See application file for complete search history.

D564,812 S \* 3/2008 Tomic ..... D6/518  
D784,039 S \* 4/2017 Chalko ..... D6/518  
9,629,509 B1 \* 4/2017 Keily ..... A47K 10/422  
2006/0102642 A1 5/2006 Muntzing et al.  
2011/0031265 A1 2/2011 Saarvali et al.

\* cited by examiner

*Primary Examiner* — Janice Patyk

(74) *Attorney, Agent, or Firm* — Boyle Fredrickson S.C.

(57) **CLAIM**

The ornamental design for a dispenser, as shown and described.

**DESCRIPTION**

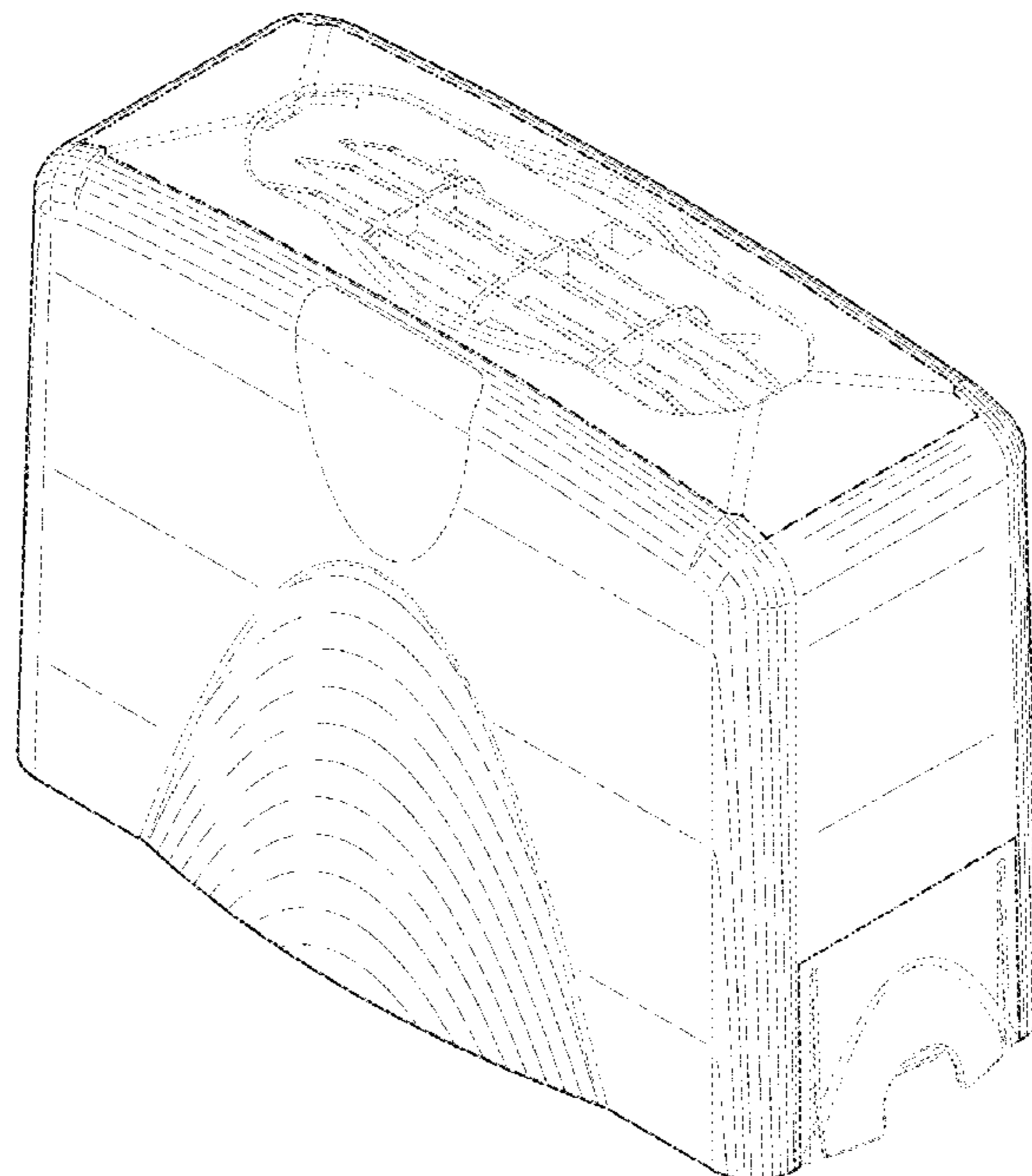
FIG. 1 is an isometric view of a dispenser, showing our new design;  
FIG. 2 is a front elevation view thereof;  
FIG. 3 is a rear elevation view thereof;  
FIG. 4 is a left side elevation view thereof;  
FIG. 5 is a right side elevation view thereof;  
FIG. 6 is a top plan view thereof; and,  
FIG. 7 is a bottom plan view thereof.  
The broken lines in the figures illustrate the portions of the design that form no part of the claimed design.  
The broken lines shown on the dispenser of FIGS. 1, 2, 3, and 6 are included to show unclaimed seam lines on the article.  
The dot-dash broken lines immediately adjacent to the claimed areas in the views represent the boundaries of the design and form no part thereof.  
None of the broken lines form any part of the claimed design.

(56) **References Cited**

U.S. PATENT DOCUMENTS

D171,732 S \* 3/1954 Renard et al. .... D7/631  
D334,690 S \* 4/1993 Chudek ..... D7/631  
D405,655 S \* 2/1999 Michaeli ..... D7/631  
D460,666 S \* 7/2002 Michaeli ..... D7/631  
D524,084 S \* 7/2006 Wieser ..... D6/518  
7,178,689 B2 2/2007 Wieser et al.  
D546,603 S \* 7/2007 Cittadino ..... D6/518

**1 Claim, 7 Drawing Sheets**



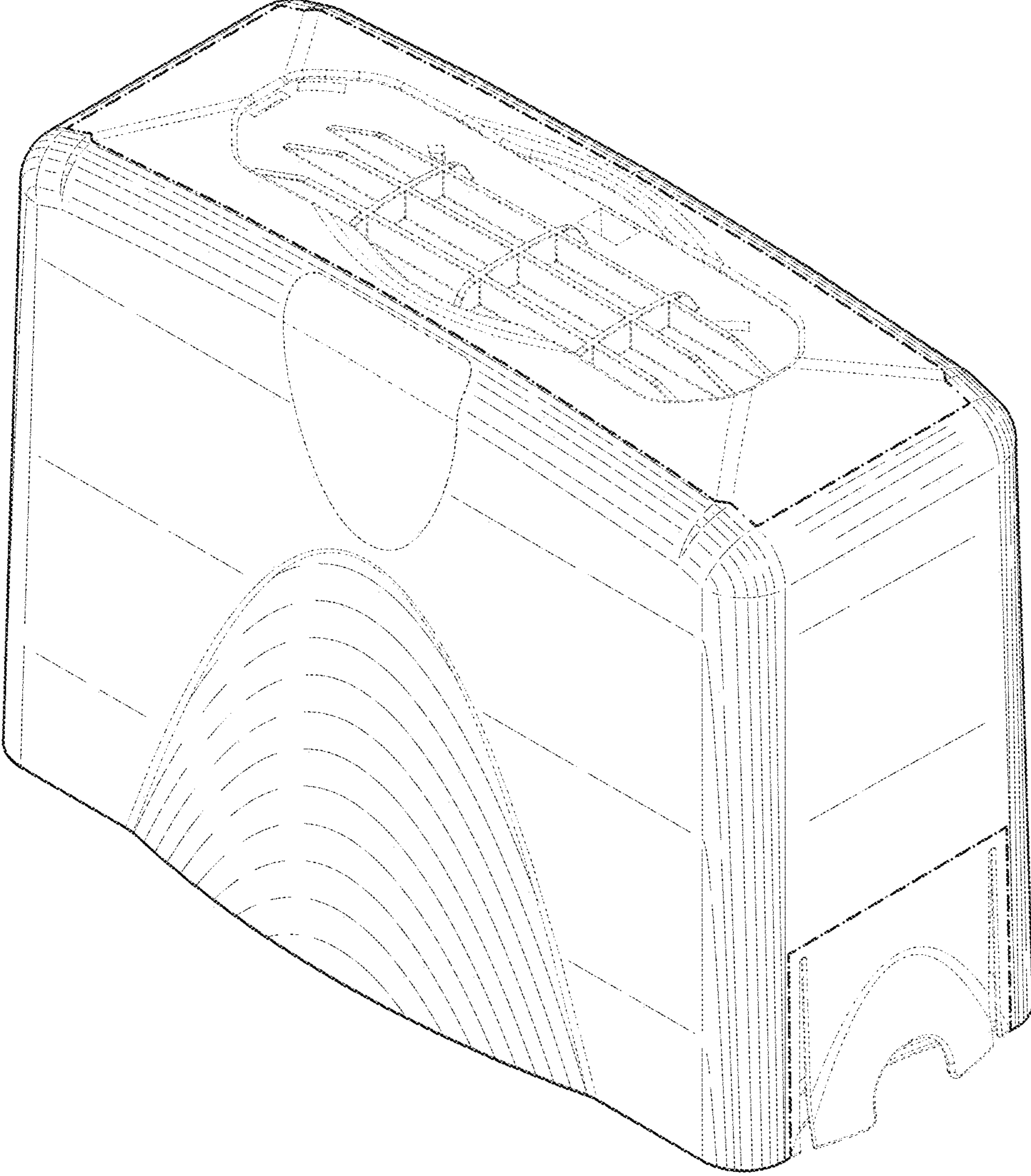


FIG. 1

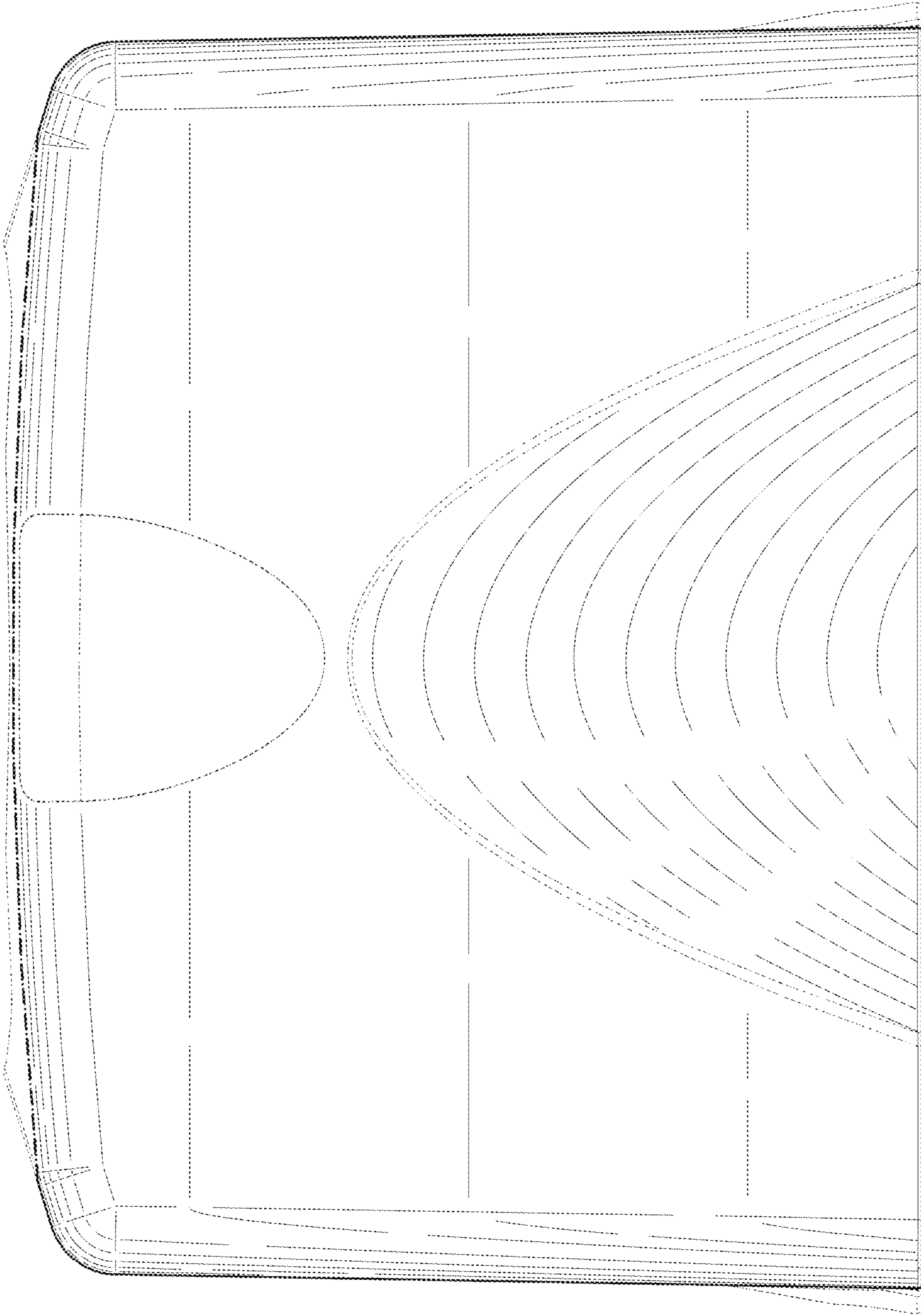


FIG. 2

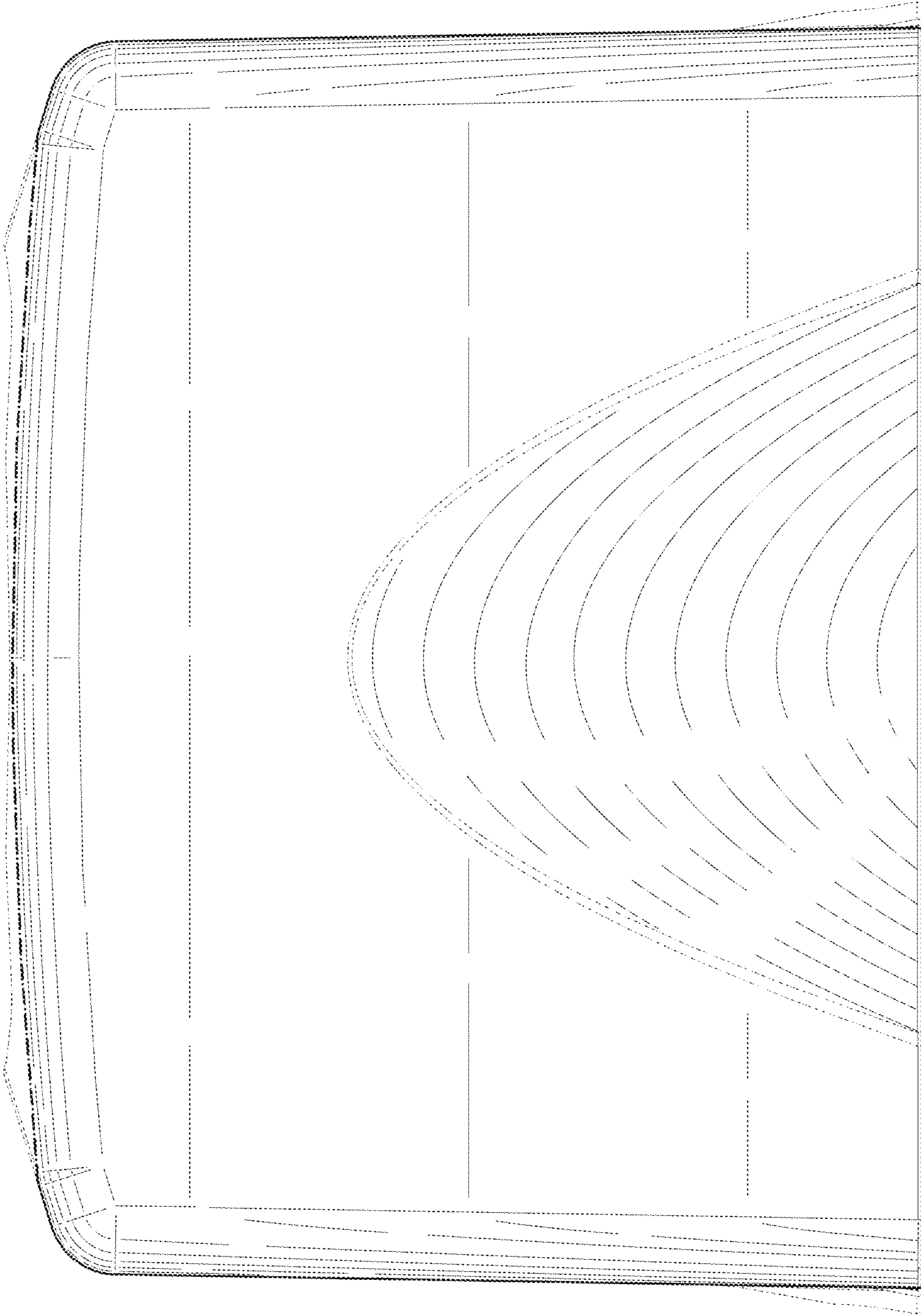


FIG. 3

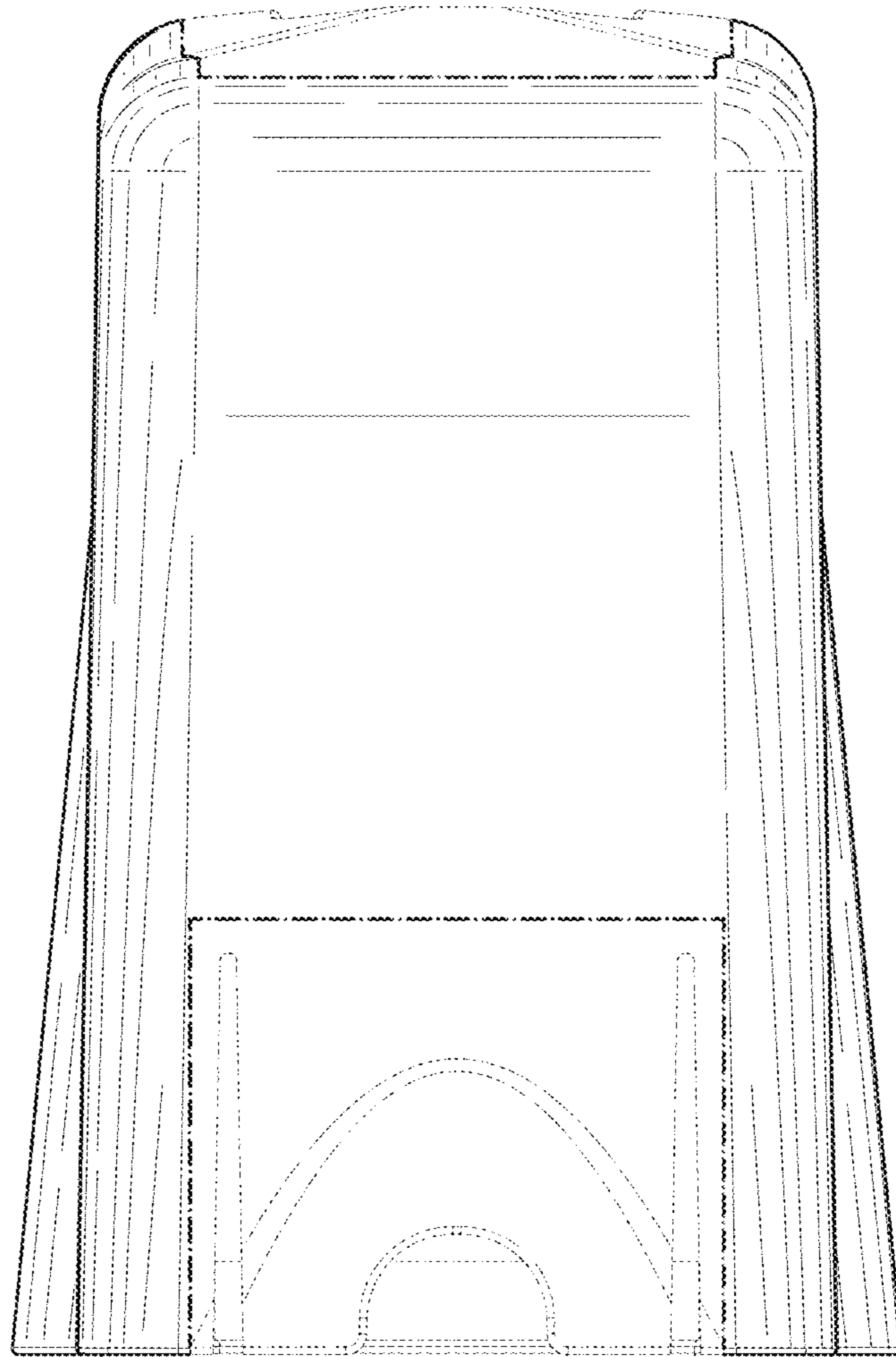


FIG. 4

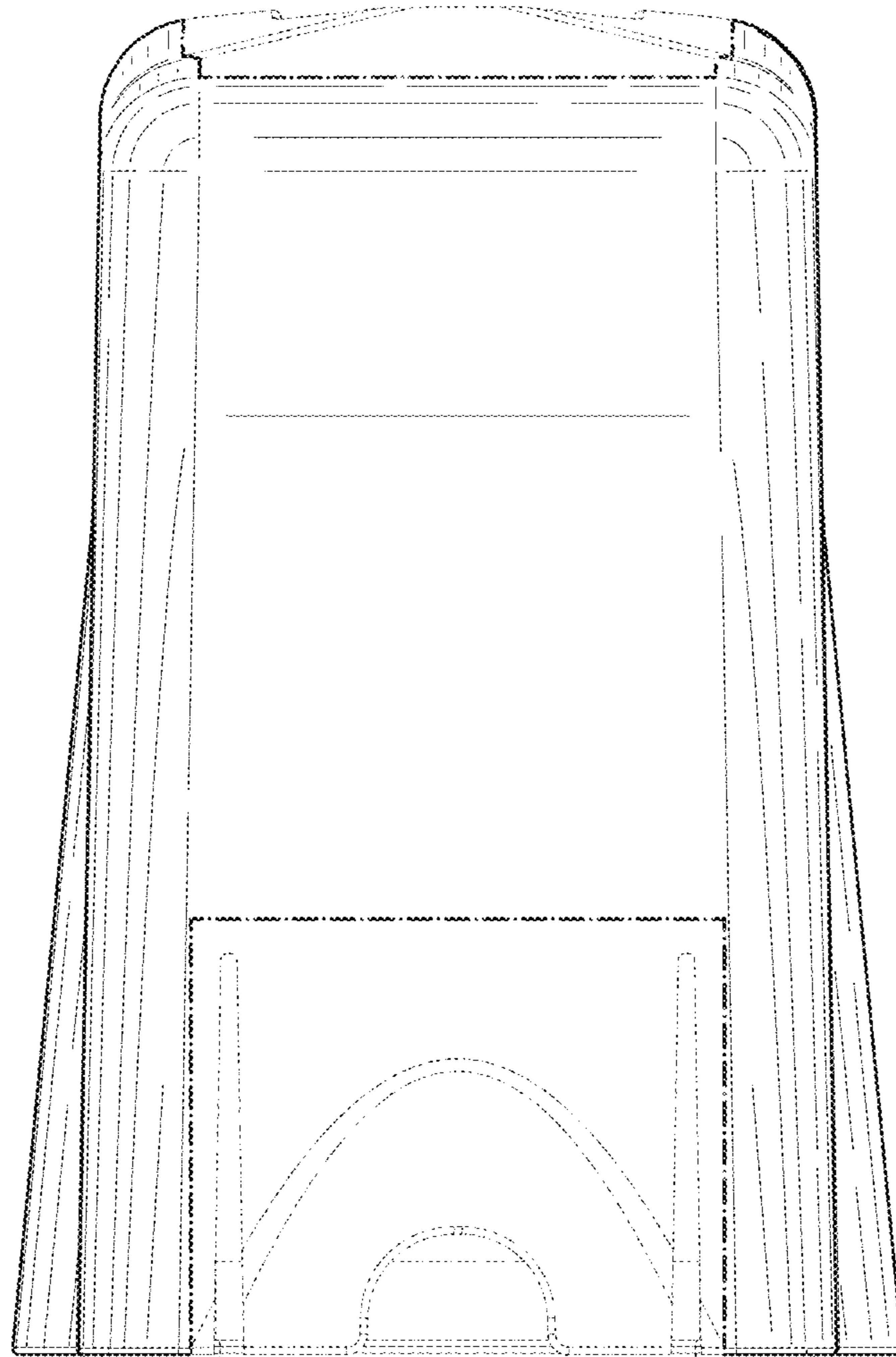


FIG. 5

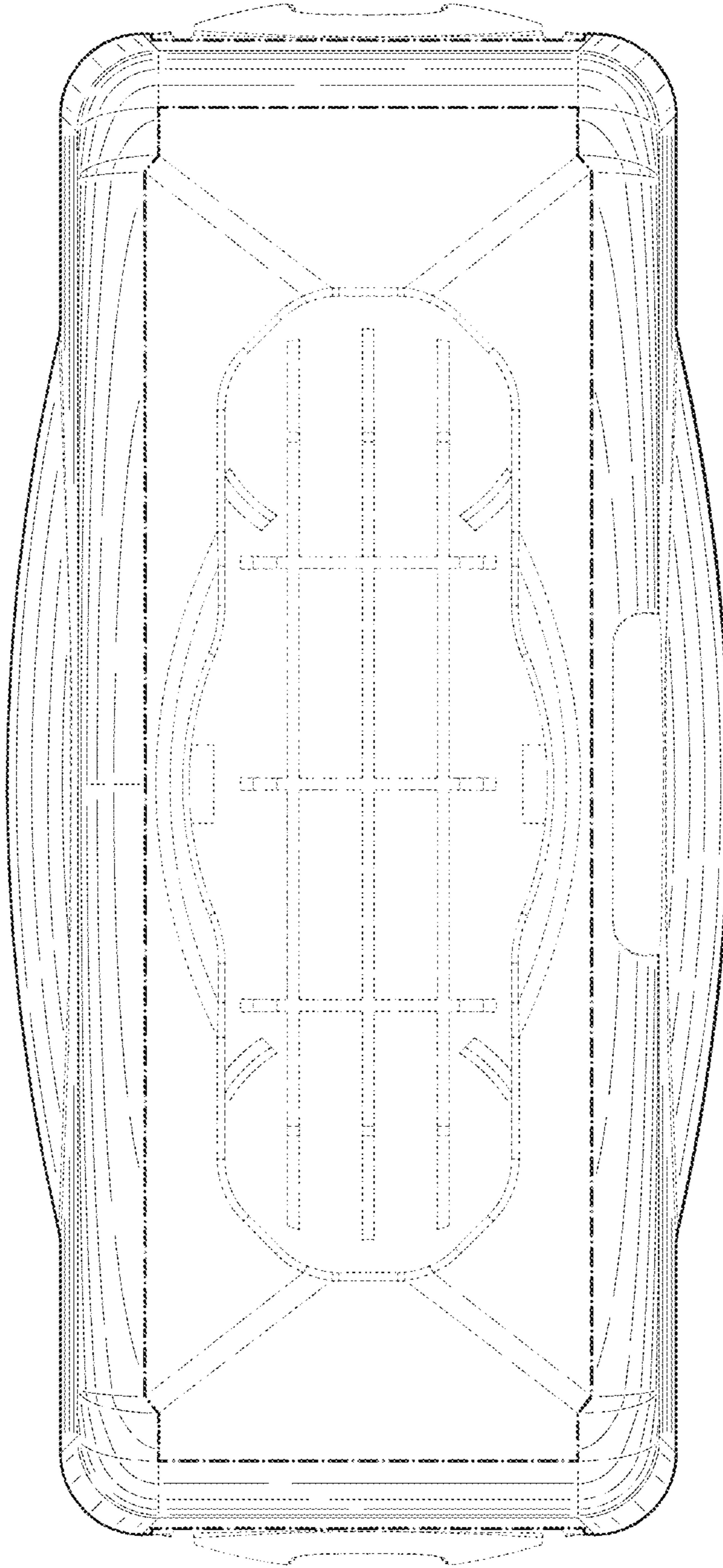


FIG. 6

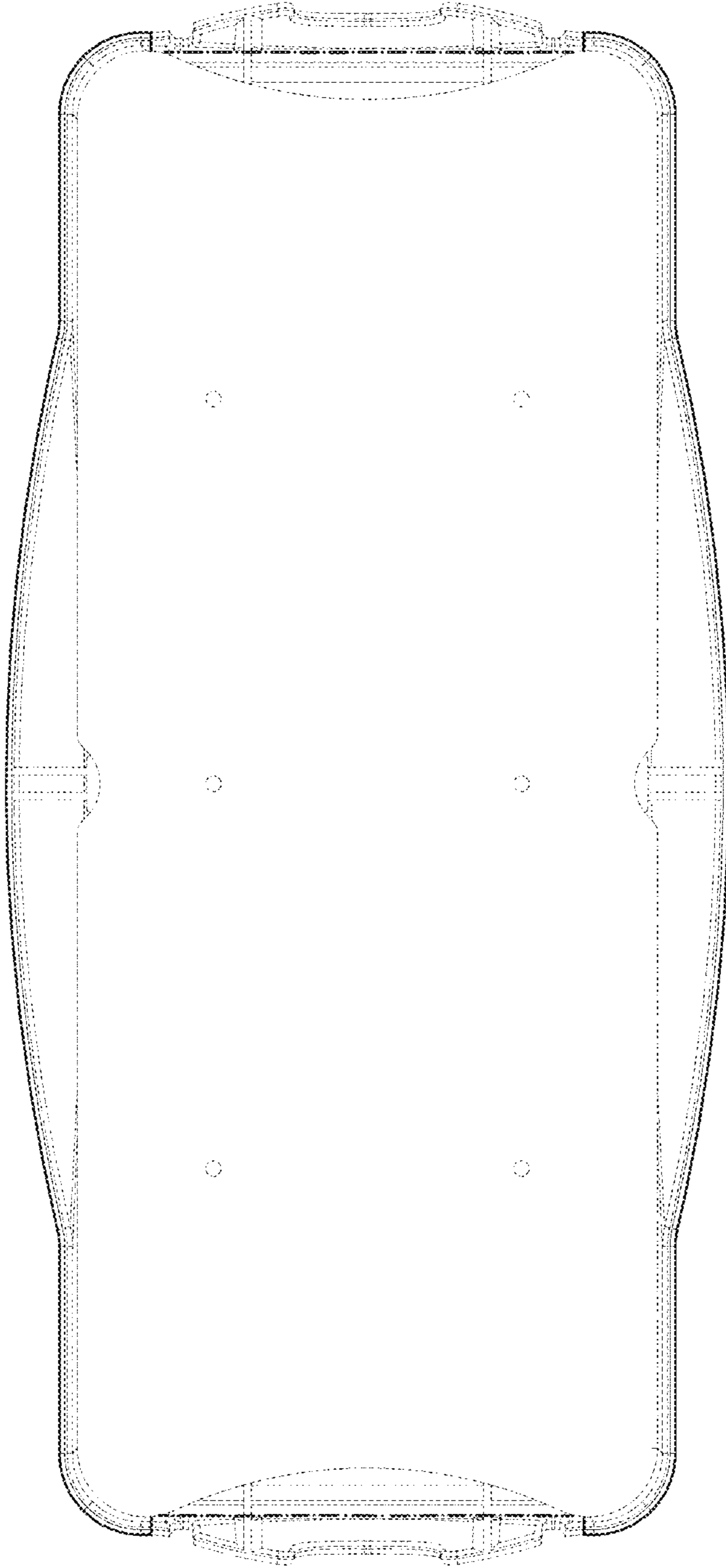


FIG. 7