



US00D911118S

(12) **United States Design Patent**
Deng

(10) **Patent No.:** **US D911,118 S**

(45) **Date of Patent:** **** Feb. 23, 2021**

(54) **HEAT INSULATED BOX**

- (71) Applicant: **Guangzhou Sunami Industrial Co. LTD.**, Guangzhou (CN)
- (72) Inventor: **Junlin Deng**, Guangzhou (CN)
- (73) Assignee: **GUANGZHOU SUNAMI INDUSTRIAL CO. LTD.**, Guangzhou (CN)

(**) Term: **15 Years**

(21) Appl. No.: **29/692,035**

(22) Filed: **May 22, 2019**

(51) **LOC (13) Cl.** **07-07**

(52) **U.S. Cl.**
USPC **D7/605**

(58) **Field of Classification Search**
USPC D7/601, 602, 603, 605, 607, 624.2, 703
CPC B65D 77/24; B65D 85/816
See application file for complete search history.

(56) **References Cited**

U.S. PATENT DOCUMENTS

D330,329 S *	10/1992	Brightbill	D3/302
D527,225 S *	8/2006	Krieger	D7/605
D806,483 S *	1/2018	Stanford	D7/605
D816,425 S *	5/2018	Stanford	D7/605
D836,993 S *	1/2019	Meda	D7/605
D836,994 S *	1/2019	Meda	D7/605
D836,995 S *	1/2019	Carey	D7/605
D839,681 S *	2/2019	Evron	D7/605
D869,160 S *	12/2019	Seiders	D3/276
D883,752 S *	5/2020	Carey	D7/605
D887,788 S *	6/2020	Meda	D7/605
D891,193 S *	7/2020	Stanford	D7/605
D892,565 S *	8/2020	Astle	D7/605
D895,375 S *	9/2020	Hurley, Jr.	D7/605

OTHER PUBLICATIONS

Tsunami Case website, Pelican style camping cooler, Earliest date on Wayback Internet Archive Aug. 28, 2020, [site visited Oct. 14, 2020], Available on the Internet URL https://web.archive.org/web/20200828075430/https://www.tsunamicase.com/pelican-style-camping-coolers-on-sale_p189.html (Year: 2020).*

Facebook website, Tsunami Frozen Coolers, Publication date Feb. 25, 2020, [site visited Oct. 14, 2020], Available on the Internet URL <https://www.facebook.com/Tsunamicoolers/posts/168971307885835> (Year: 2020).*

* cited by examiner

Primary Examiner — Karen S Acker

Assistant Examiner — Steven B Reinholdt, Jr.

(74) *Attorney, Agent, or Firm* — Bayramoglu Law Offices LLC

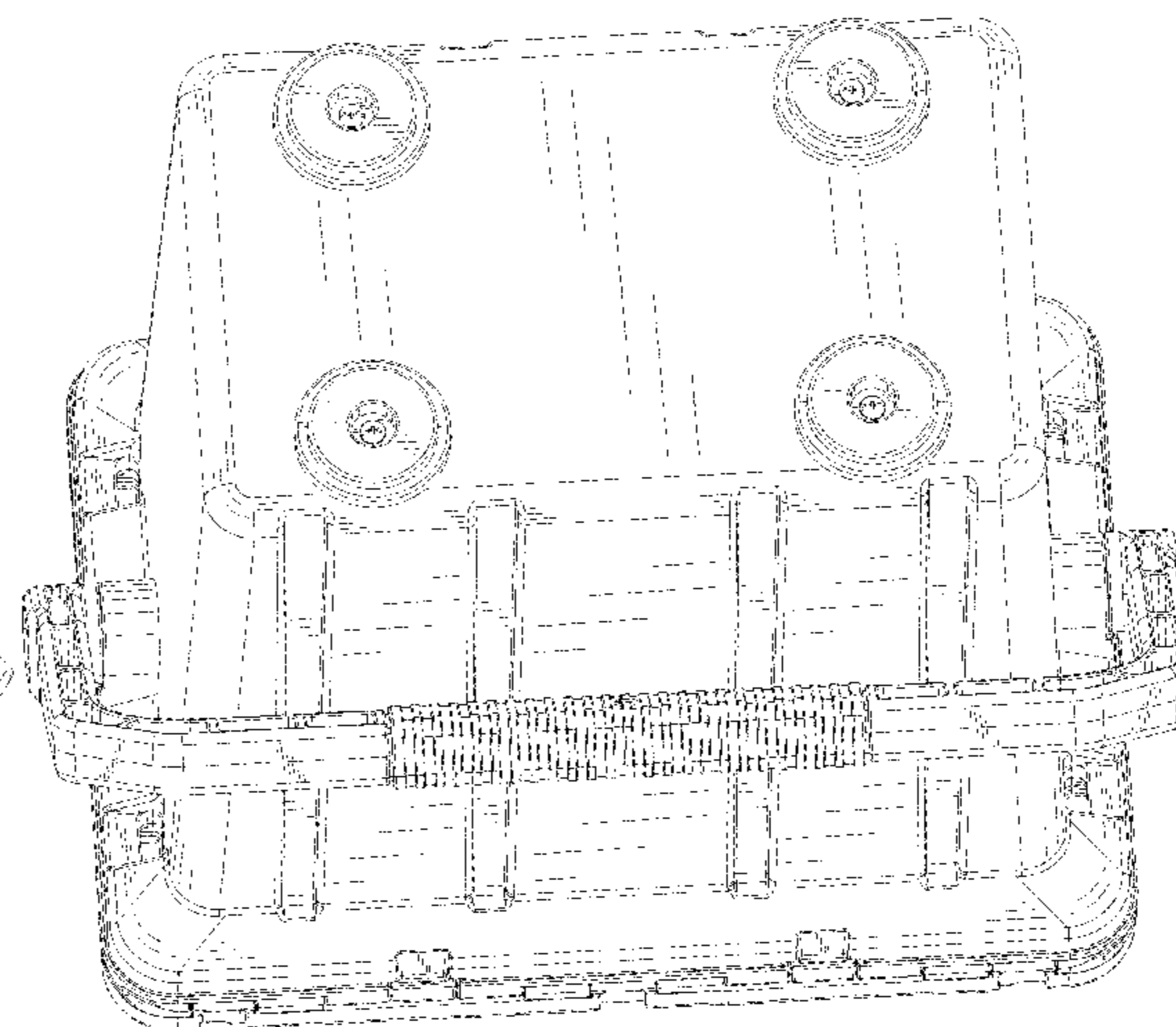
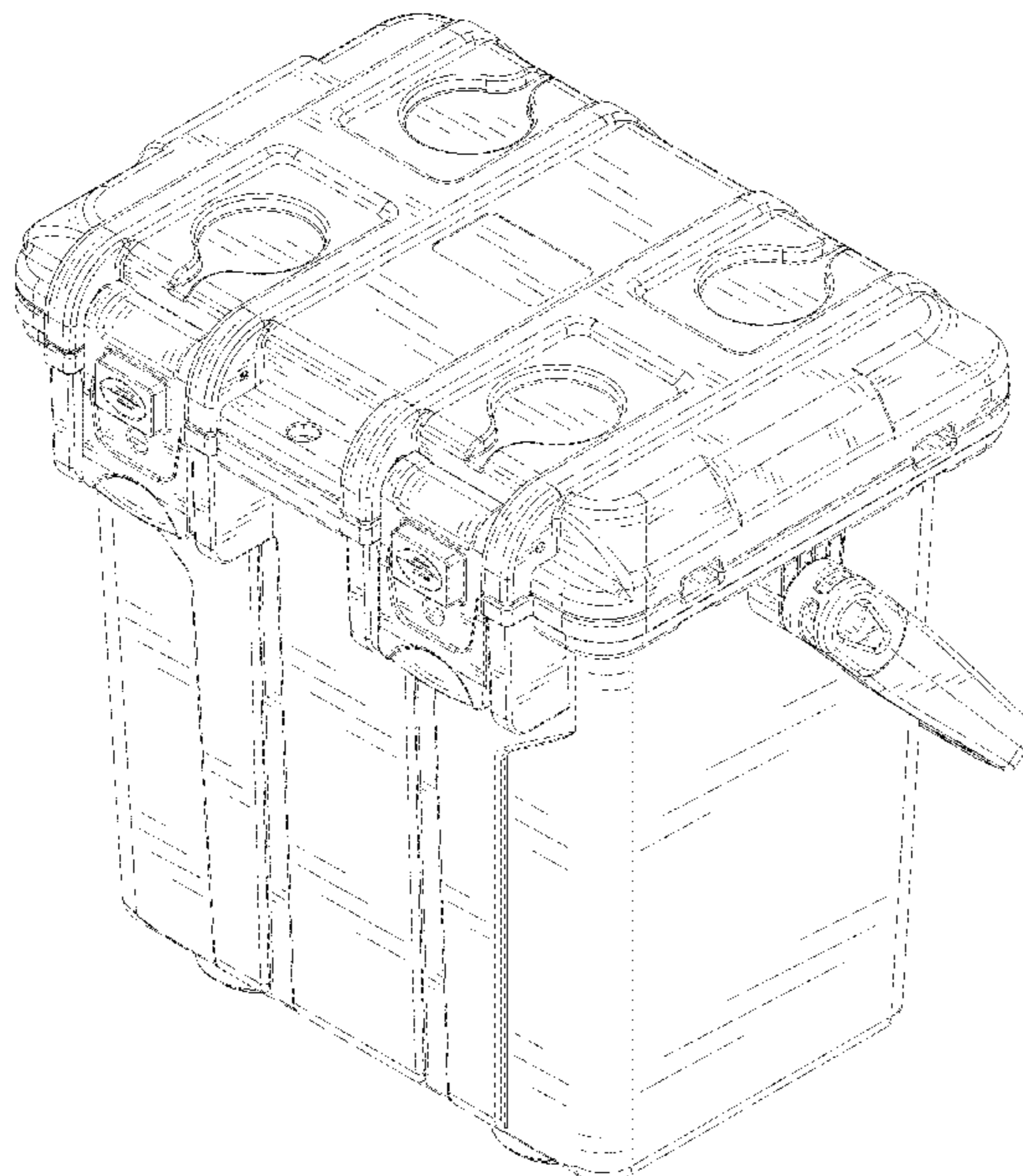
(57) **CLAIM**

The ornamental design for a heat insulated box, as shown and described.

DESCRIPTION

FIG. 1 is a top, front and right perspective view of a heat insulated box showing my new design;
 FIG. 2 is a front elevational view thereof;
 FIG. 3 is a rear elevational view thereof;
 FIG. 4 is a left side view thereof;
 FIG. 5 is a right side view thereof;
 FIG. 6 is a top plan view thereof;
 FIG. 7 is a bottom plan view thereof; and,
 FIG. 8 is a bottom, rear and left perspective view thereof.
 The broken lines and areas within them depict portions of the heat insulated box that form no part of the claimed design. The dot-dash-dot broken lines in FIGS. 4 and 5 depict the boundaries of the claim and form no part thereof.

1 Claim, 8 Drawing Sheets



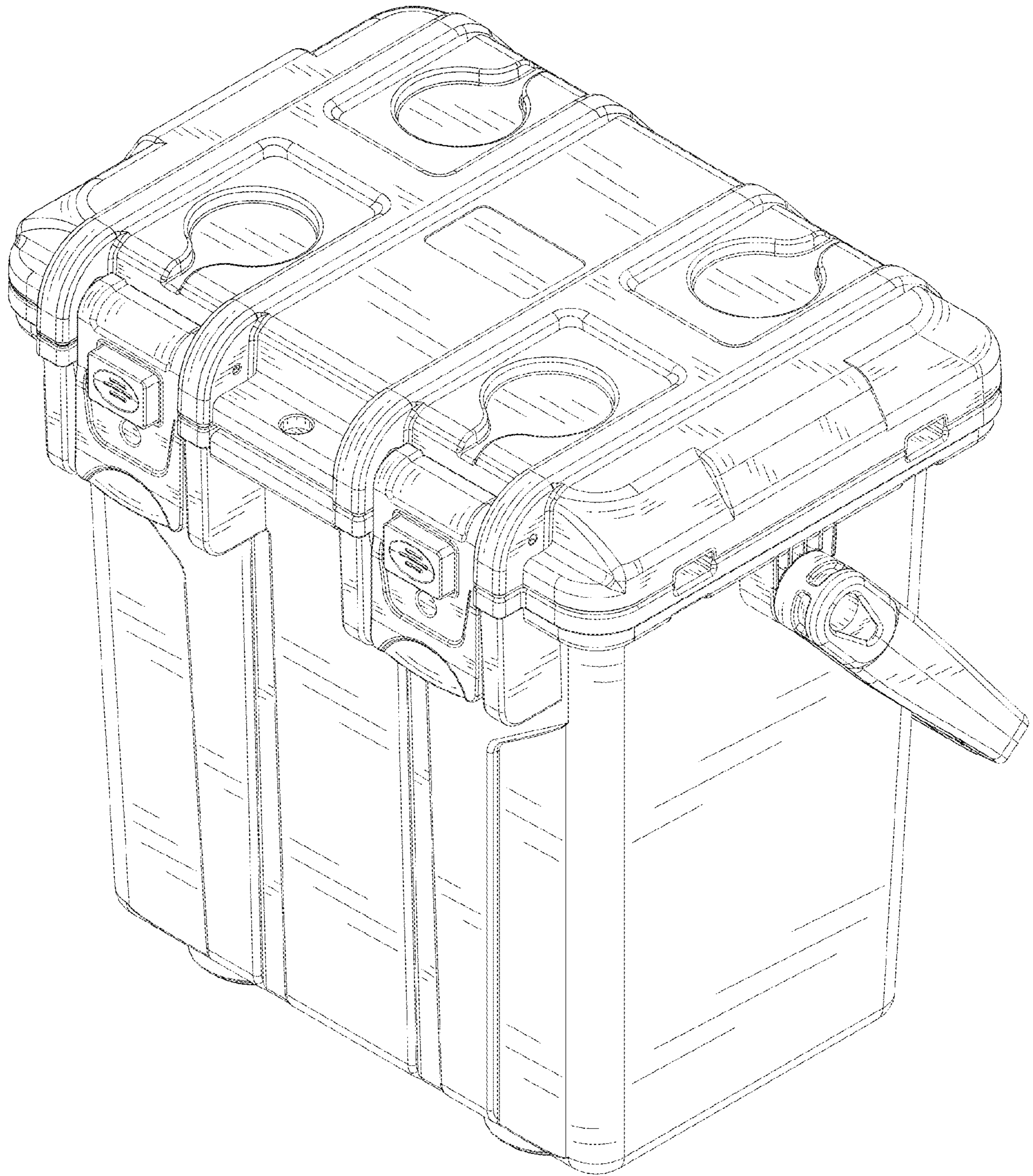


FIG. 1

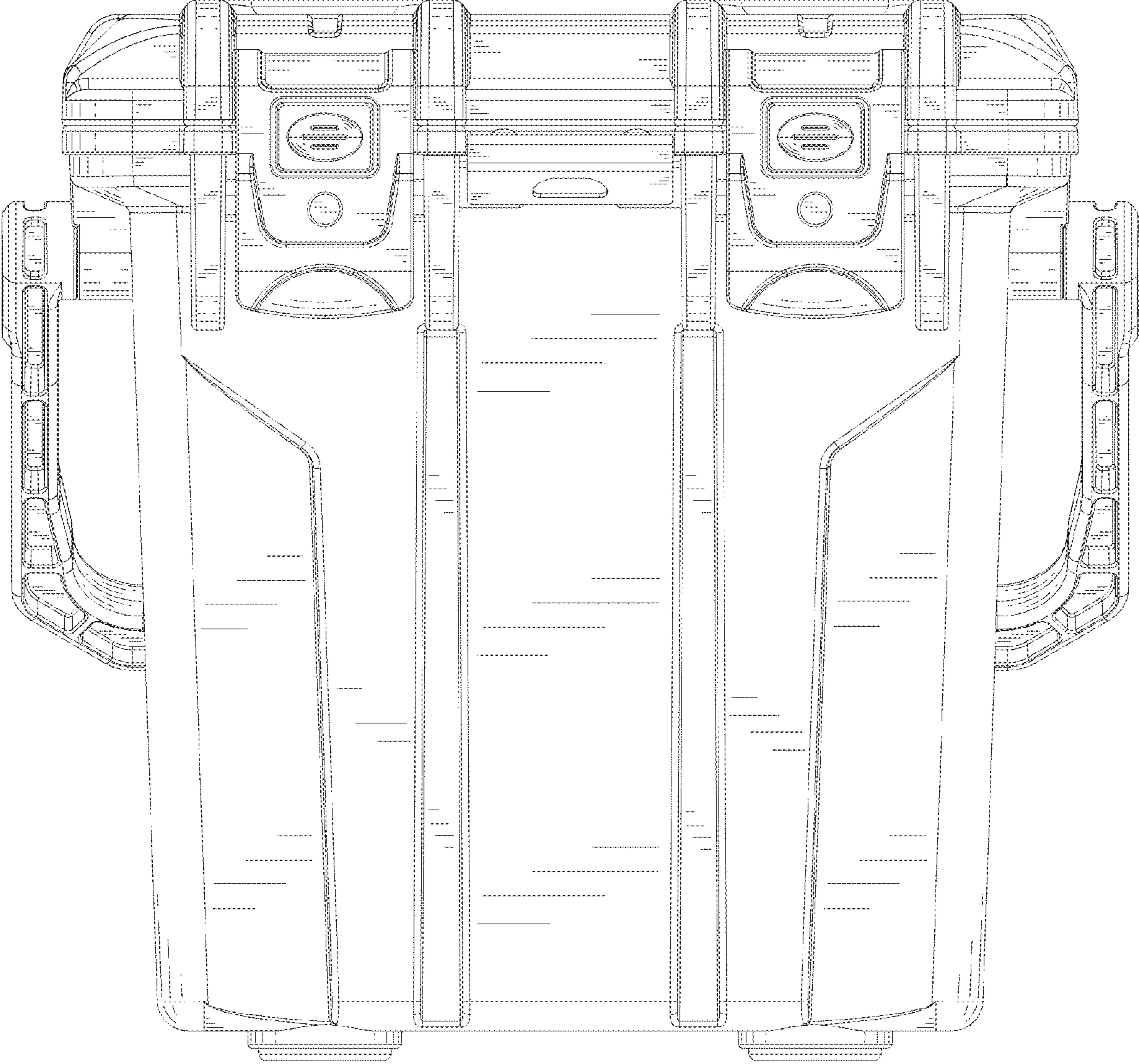


FIG. 2

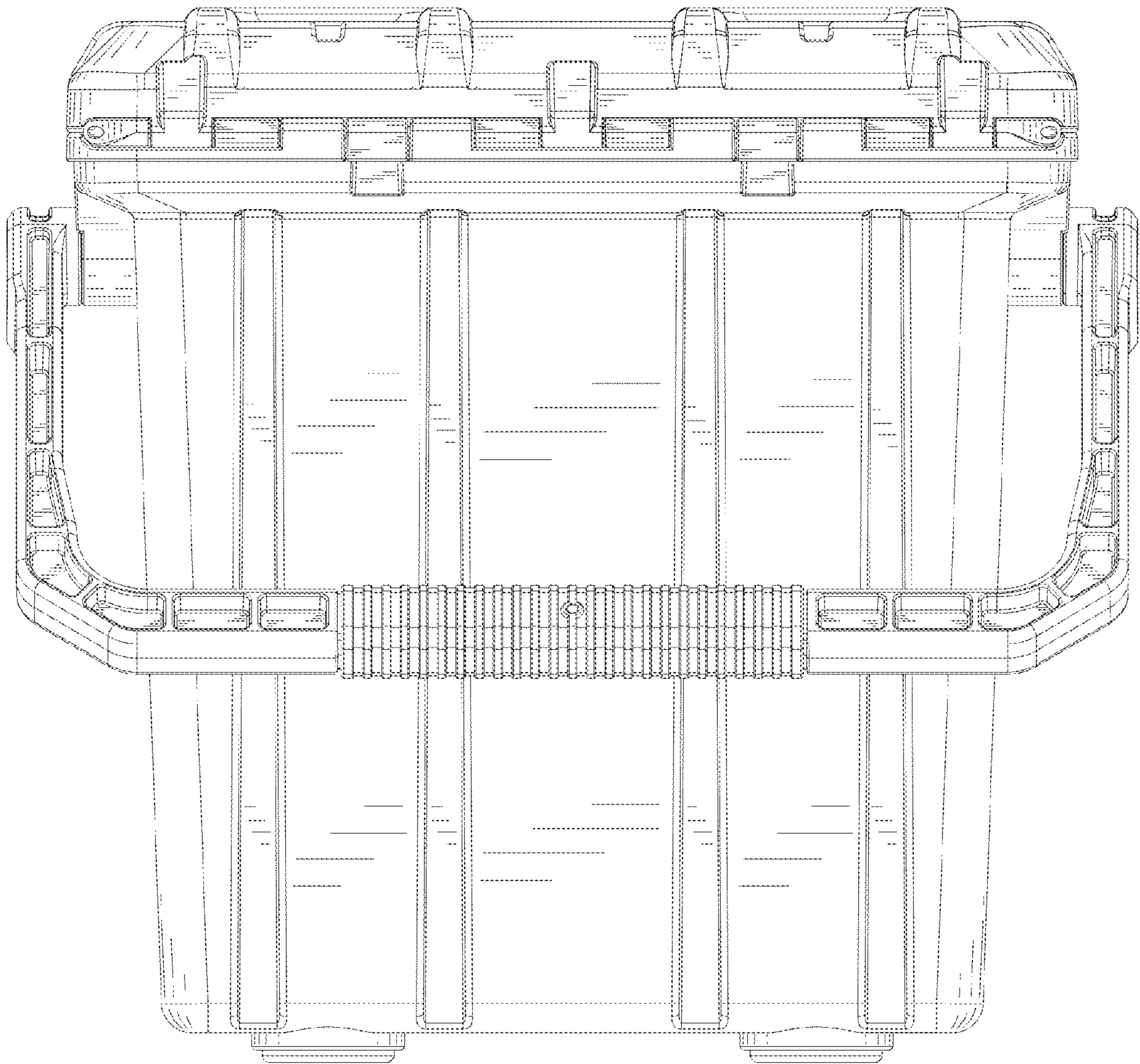


FIG. 3

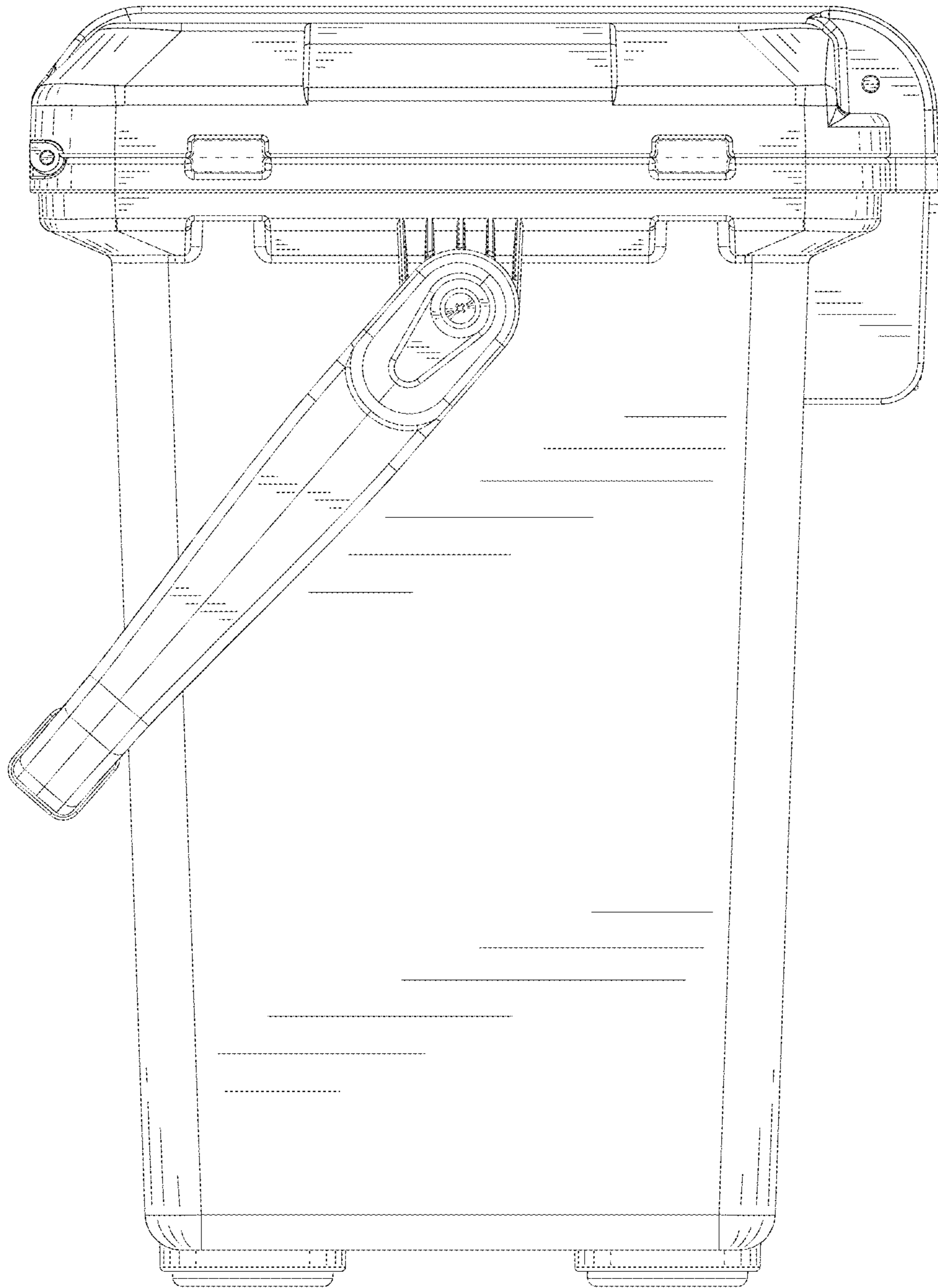


FIG. 4

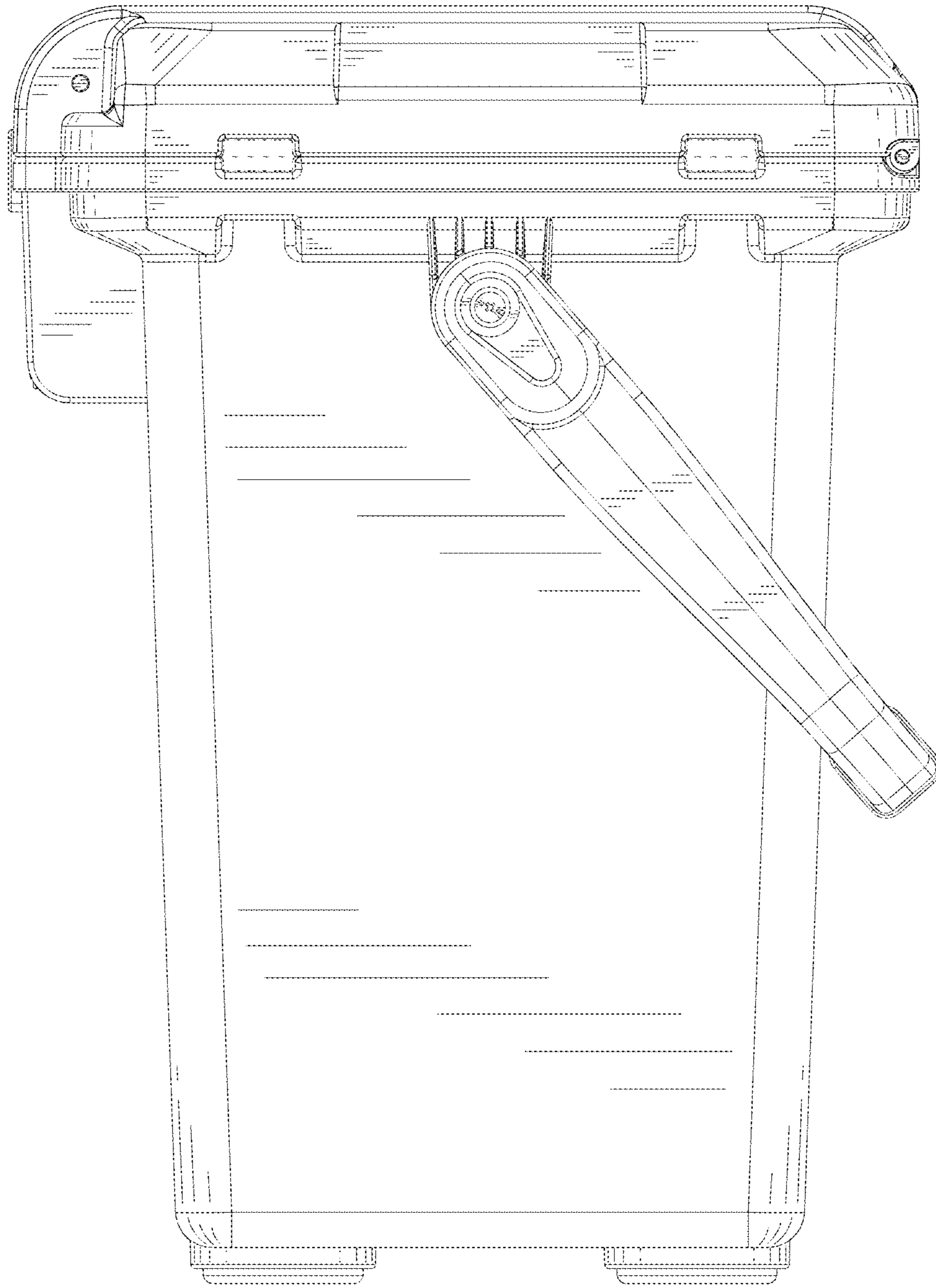


FIG. 5

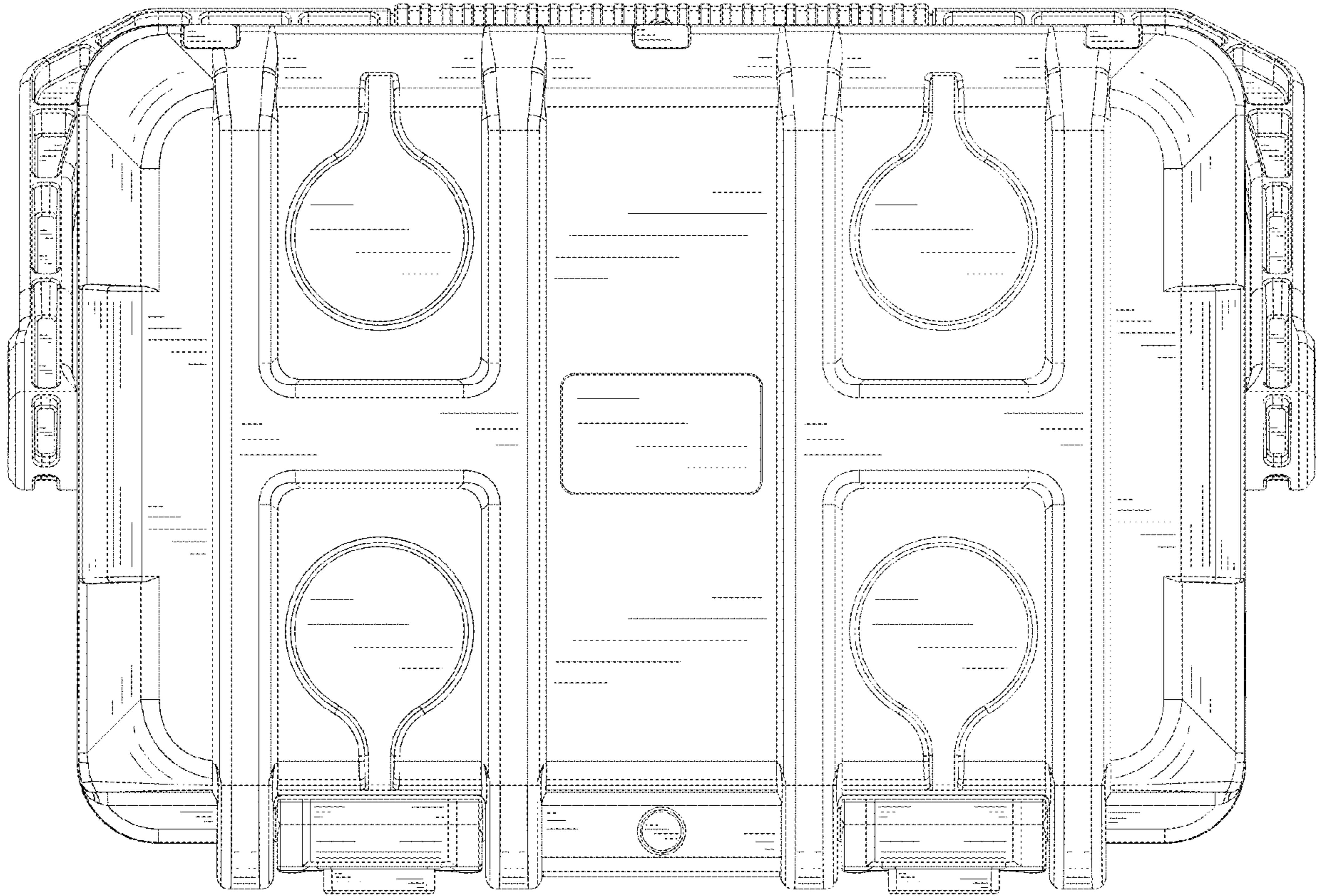


FIG. 6

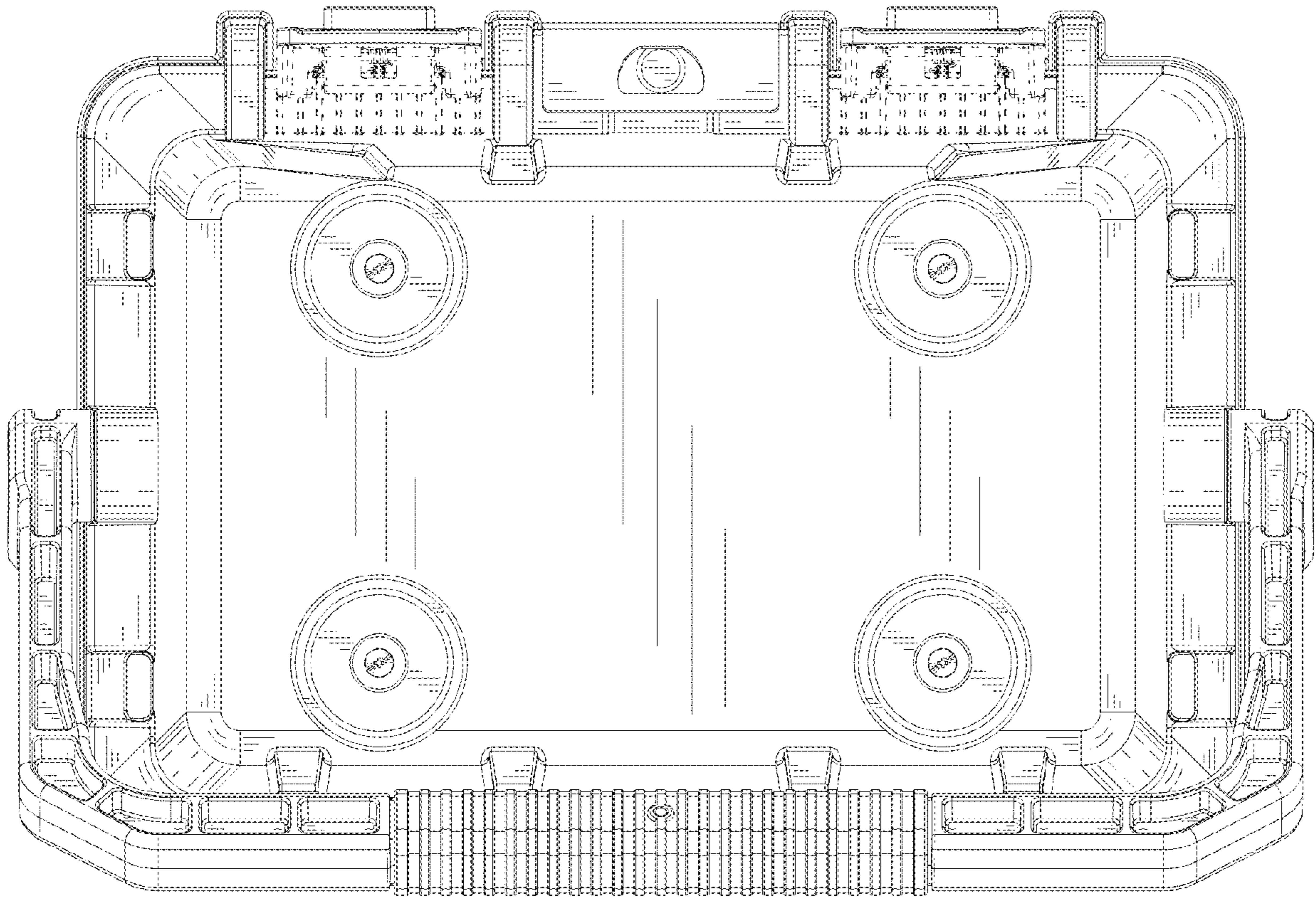


FIG. 7

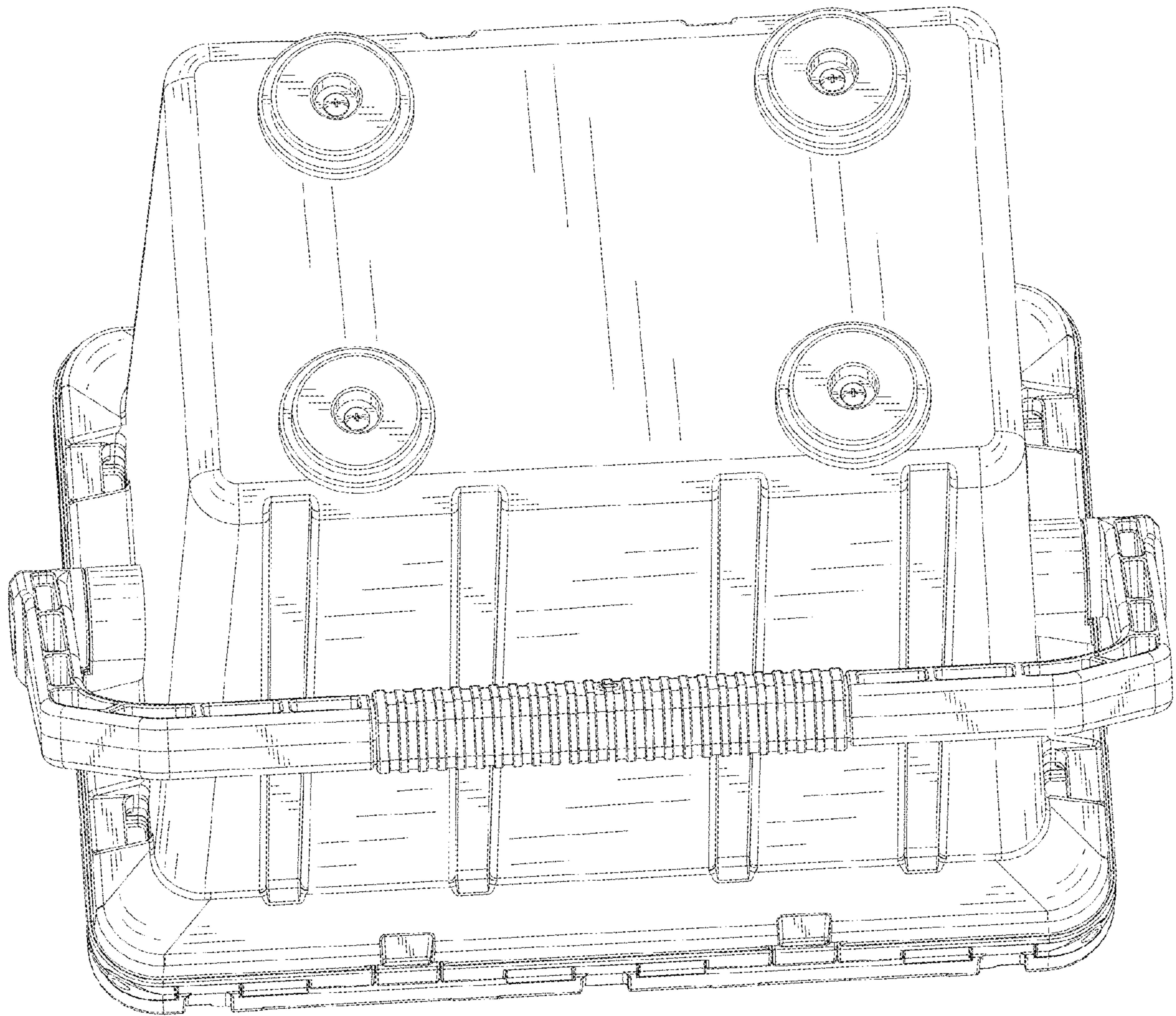


FIG. 8

UNITED STATES PATENT AND TRADEMARK OFFICE
CERTIFICATE OF CORRECTION

PATENT NO. : D911,118 S
APPLICATION NO. : 29/692035
DATED : February 23, 2021
INVENTOR(S) : Junlin Deng

Page 1 of 1

It is certified that error appears in the above-identified patent and that said Letters Patent is hereby corrected as shown below:

On the Title Page

Item (73), The Assignee should read (--Guangzhou Tsunami Industrial Equipment Co., Ltd.--) instead of Guangzhou Sunami Industrial Co.LTD.

Signed and Sealed this
Fourteenth Day of December, 2021



Drew Hirshfeld
*Performing the Functions and Duties of the
Under Secretary of Commerce for Intellectual Property and
Director of the United States Patent and Trademark Office*