



US00D911117S

(12) **United States Design Patent** (10) **Patent No.:** **US D911,117 S**
Xu (45) **Date of Patent:** **** Feb. 23, 2021**

(54) **THERMAL LUNCH BOX**
(71) Applicant: **Jingsheng Xu**, Hunan (CN)
(72) Inventor: **Jingsheng Xu**, Hunan (CN)
(**) Term: **15 Years**
(21) Appl. No.: **29/703,639**
(22) Filed: **Aug. 28, 2019**
(51) **LOC (13) Cl.** **07-07**
(52) **U.S. Cl.**
USPC **D7/602**
(58) **Field of Classification Search**
USPC D7/602, 609, 629, 630, 701, 703, 391,
D7/392.1, 397; D9/416, 424, 425, 426,
D9/430, 432, 435, 761; D19/102, 106;
D3/201, 203.6, 273
CPC ... B65D 1/26; B65D 1/40; B65D 5/24; B65D
81/34; B65D 81/3453; B65D 2581/34;
B65D 2581/3437
See application file for complete search history.

D815,924 S * 4/2018 Croft D7/629
D825,284 S * 8/2018 Morales D7/629
D830,790 S * 10/2018 Lee D7/629
D836,408 S * 12/2018 Pereira Da Silva D7/629
D904,134 S * 12/2020 Choi D7/629
2004/0084464 A1* 5/2004 Koo B65D 43/0218
220/784
2005/0035125 A1* 2/2005 Bae B65D 45/20
220/326
2009/0321462 A1* 12/2009 Hui B65D 43/021
220/780
2014/0103033 A1* 4/2014 Beckman B65D 43/0212
220/4.01

* cited by examiner

Primary Examiner — Derrick E Holland
Assistant Examiner — Andrew Kerr
(74) *Attorney, Agent, or Firm* — Wayne & Ken, LLC

(57) **CLAIM**

The ornamental design for a thermal lunch box, as shown and described.

DESCRIPTION

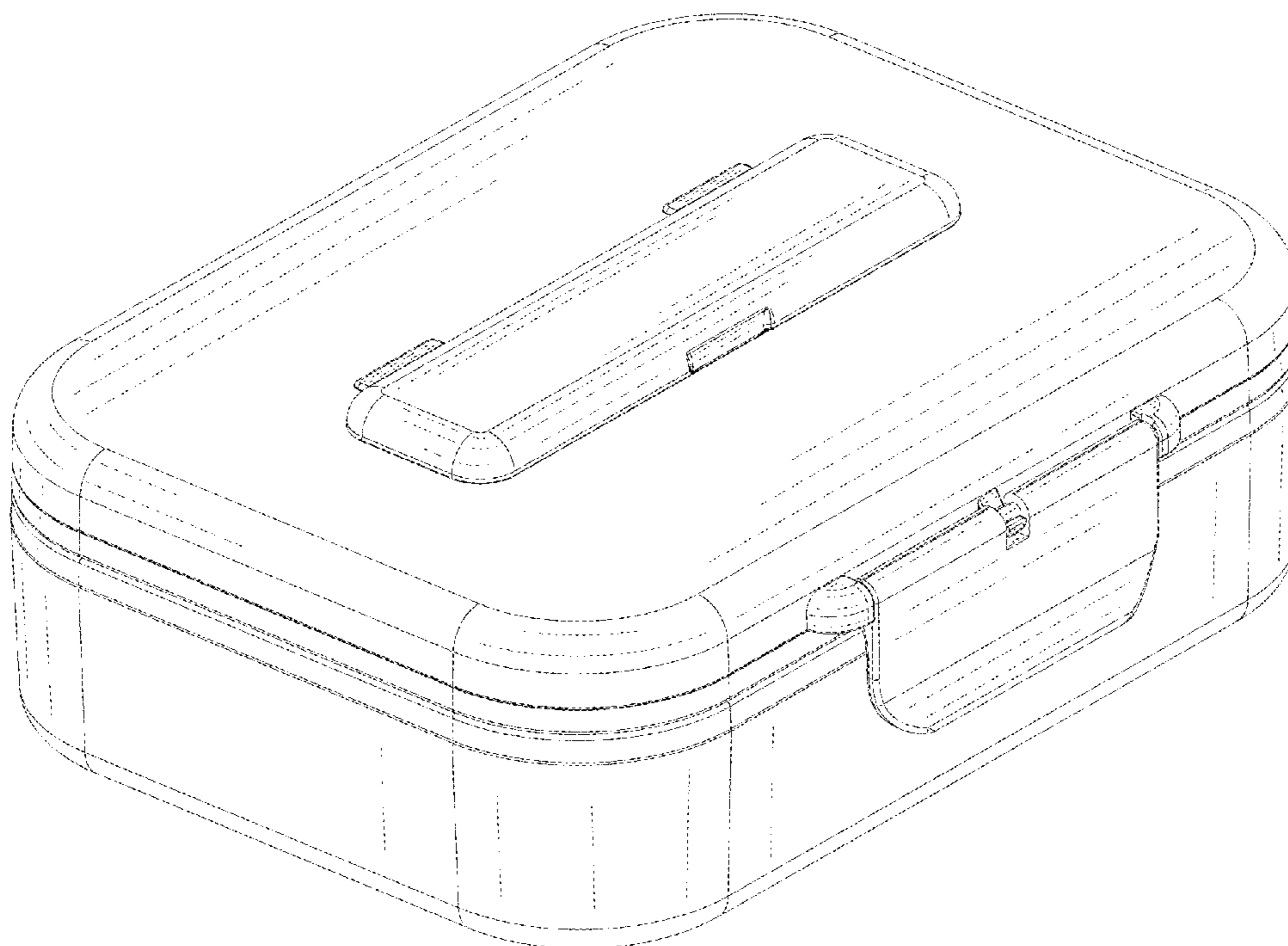
FIG. 1 is a perspective view of a thermal lunch box showing my new design;
FIG. 2 is a front elevation view thereof;
FIG. 3 is a back elevation view thereof;
FIG. 4 is a left side view thereof;
FIG. 5 is a right side view thereof;
FIG. 6 is a top plan thereof; and,
FIG. 7 is a bottom plan view thereof.
The broken lines in the drawing depict environmental subject matter only and form no part of the claimed design.

1 Claim, 7 Drawing Sheets

(56) **References Cited**

U.S. PATENT DOCUMENTS

D660,092 S * 5/2012 Kyung D7/629
D660,094 S * 5/2012 Kyung D7/629
D682,046 S * 5/2013 Myoung D7/629
D682,052 S * 5/2013 Thomas D7/709
D692,281 S * 10/2013 George D7/629
D698,614 S * 2/2014 Duvigneau D7/629
D699,082 S * 2/2014 Duvigneau D7/629
D706,084 S * 6/2014 Manley D7/629
D745,335 S * 12/2015 Kyle D7/629
D803,637 S * 11/2017 Feng D7/629



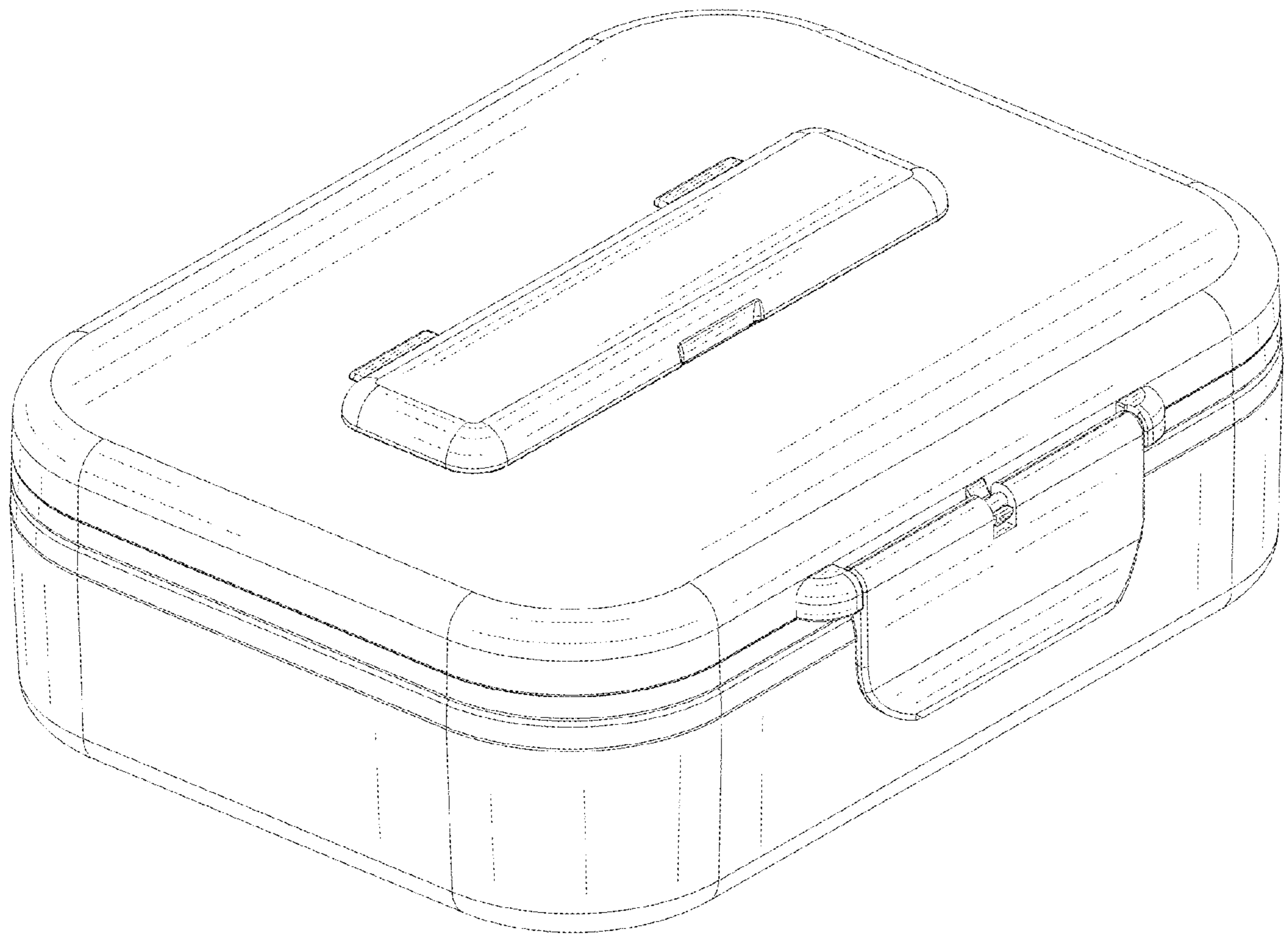


FIG. 1

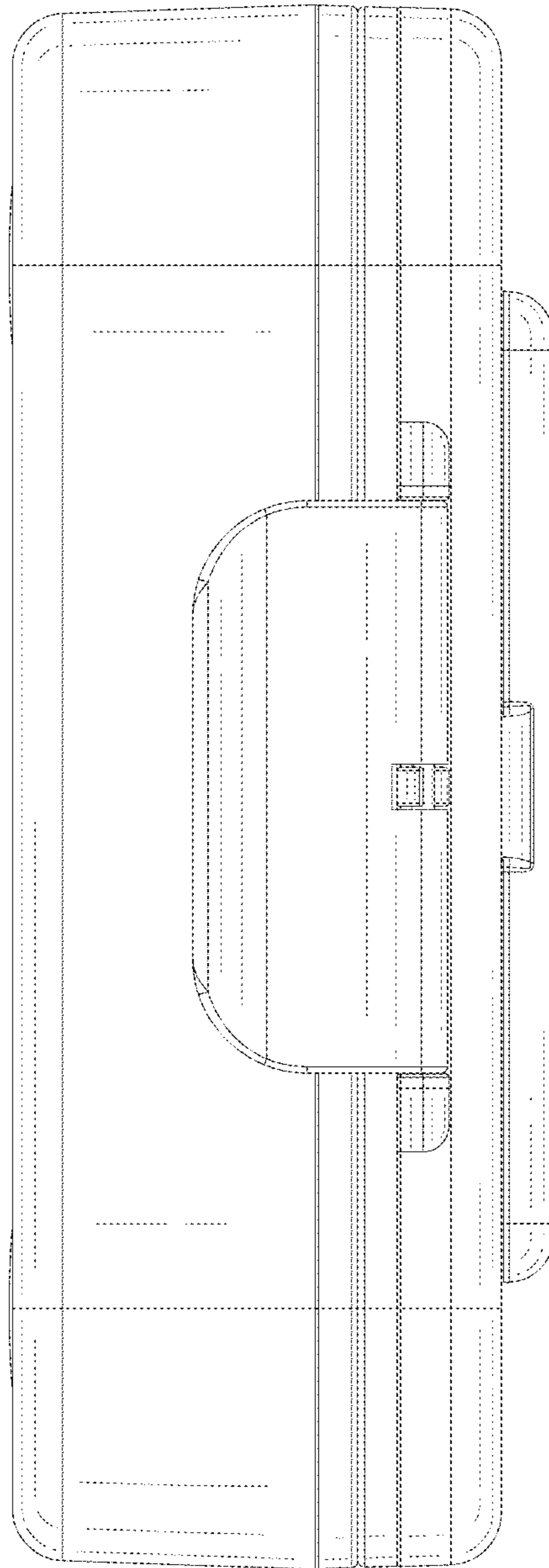


FIG. 2

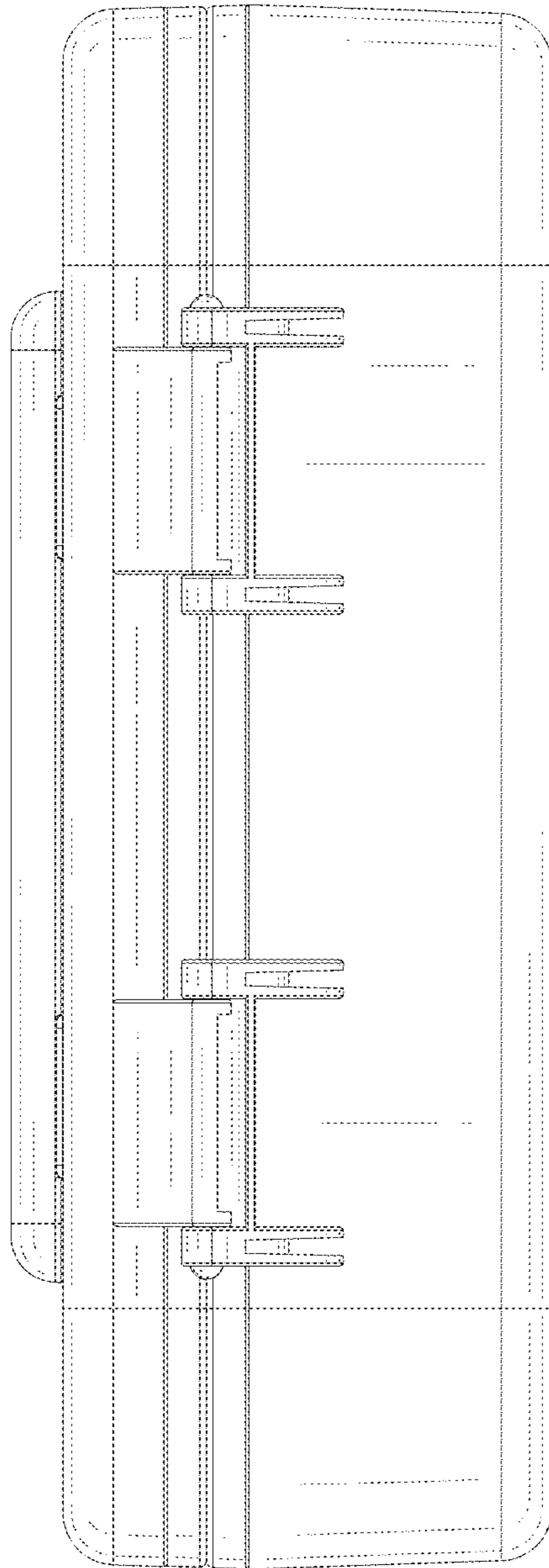


FIG. 3

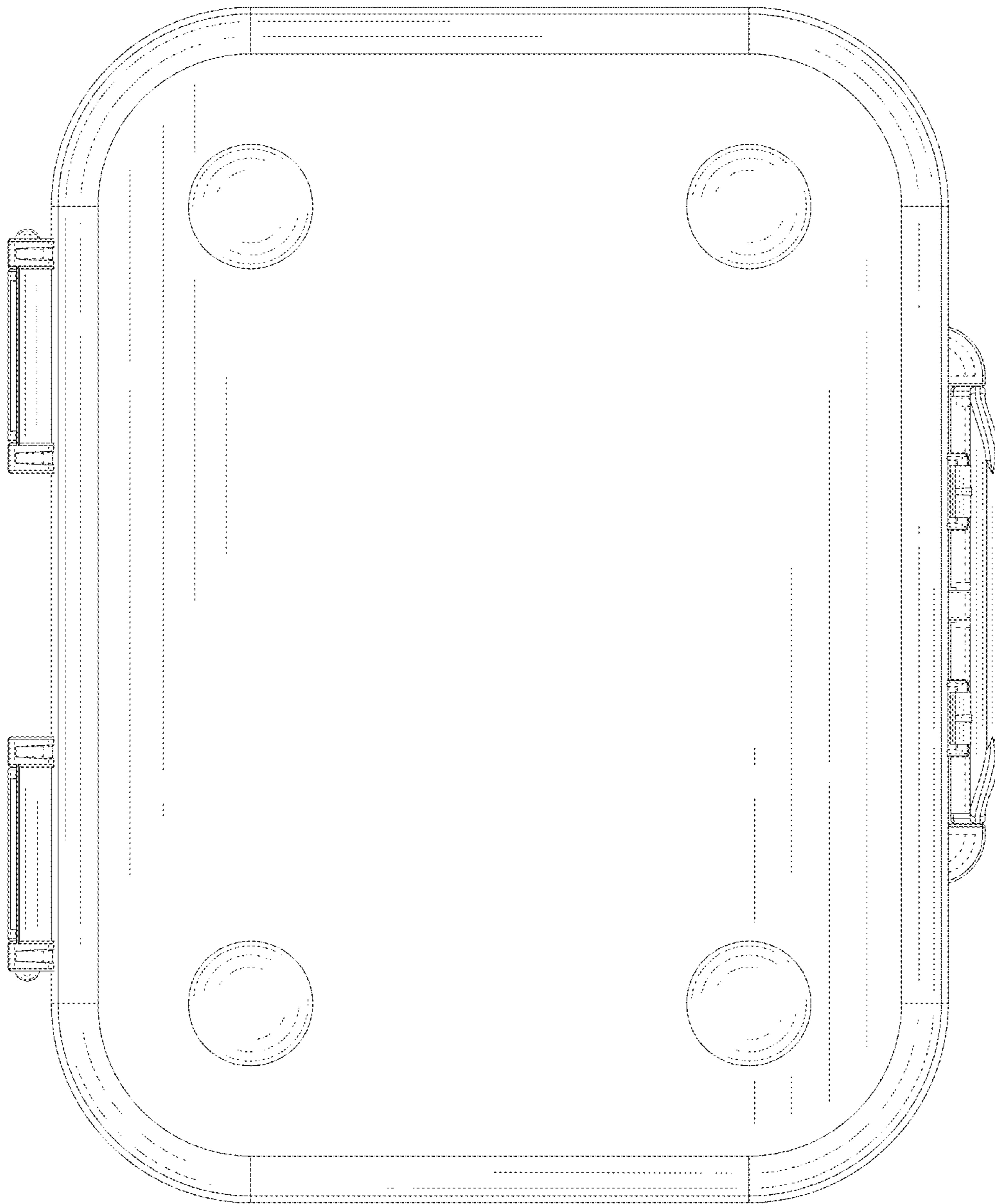


FIG. 4

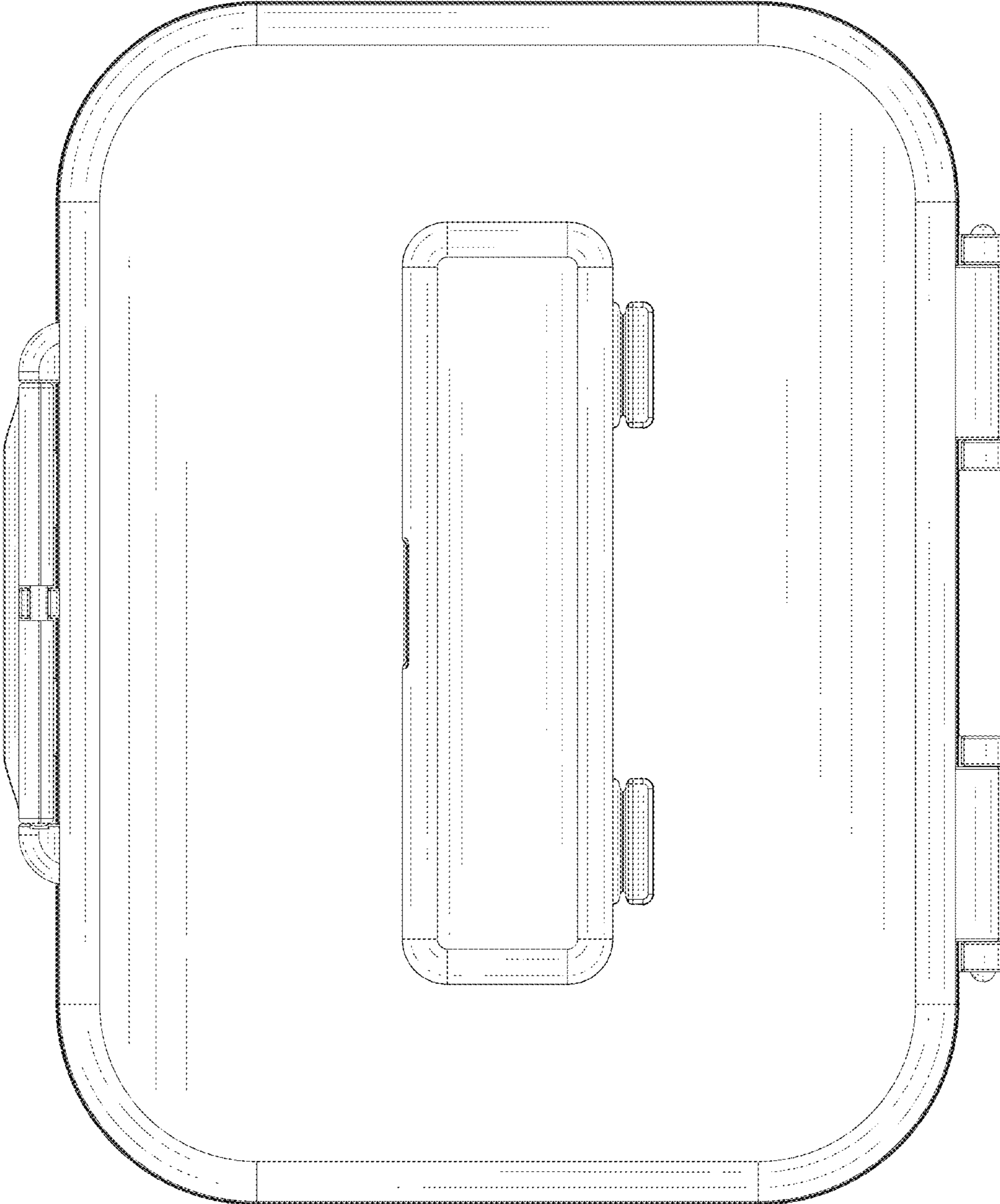


FIG. 5

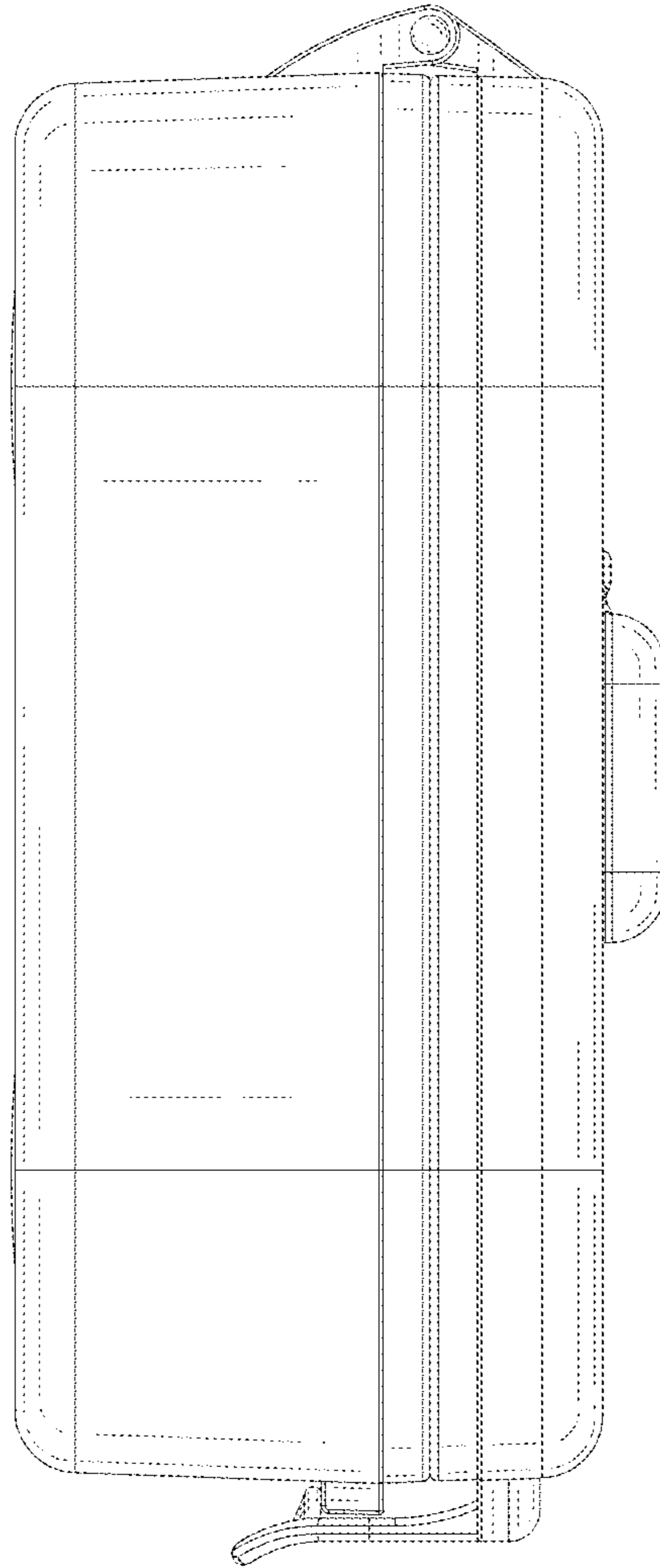


FIG. 6

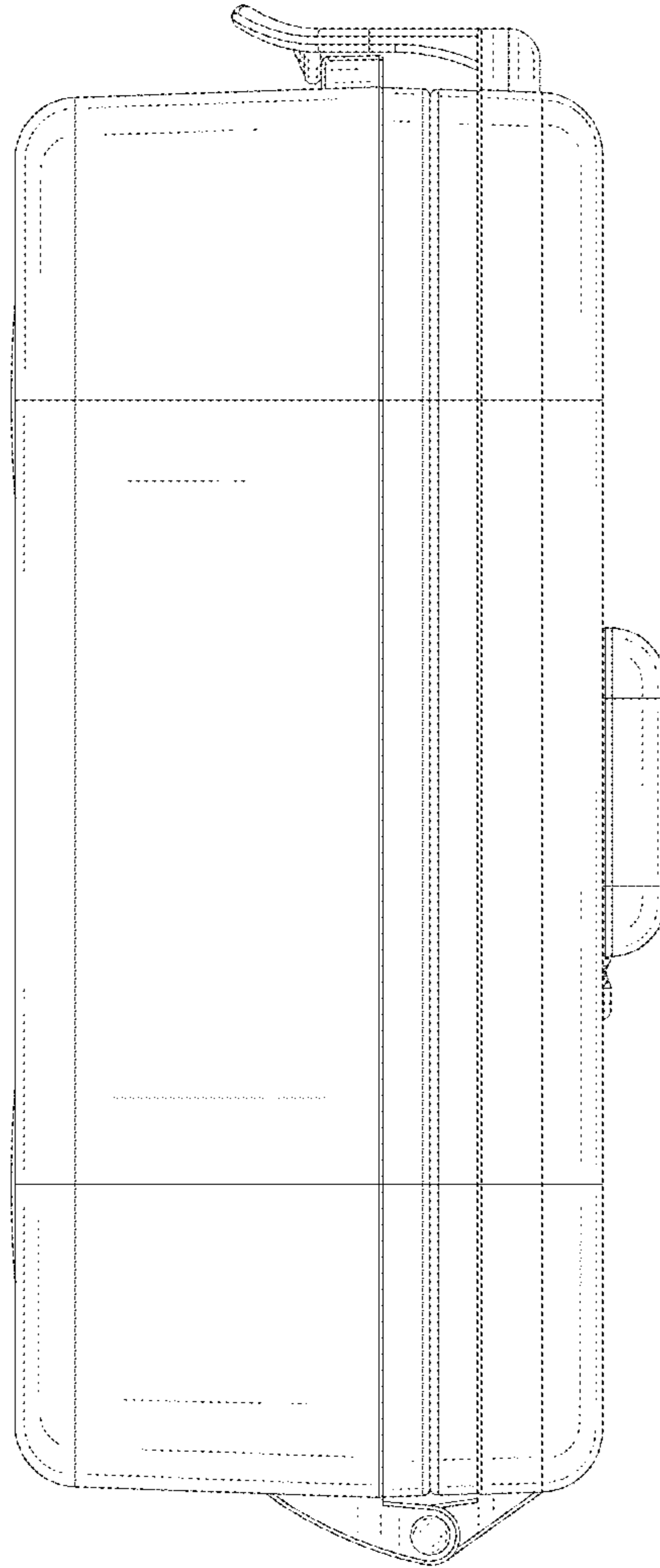


FIG. 7