



US00D911116S

(12) **United States Design Patent** (10) **Patent No.:** **US D911,116 S**
Uthuppan (45) **Date of Patent:** **** Feb. 23, 2021**

(54) **SANDWICH CARRIER**
(71) Applicant: **Jose Uthuppan**, Allentown, PA (US)
(72) Inventor: **Jose Uthuppan**, Allentown, PA (US)
(73) Assignee: **Jose P. Uthuppan**, Allentown, PA (US)
(**) Term: **15 Years**
(21) Appl. No.: **29/609,822**
(22) Filed: **Jul. 6, 2017**
(51) **LOC (13) Cl.** **07-07**
(52) **U.S. Cl.**
USPC **D7/602; D3/307**
(58) **Field of Classification Search**
USPC D7/590, 597, 600-600.1, 600.3-600.4, D7/602, 614-615, 701, 592, 596, 619.1, D7/704, 505, 513, 553.1-553.3, D7/554.3-555, 611, 300, 318, 332, D7/339-340, 346-349, 350.5-350.4, 354, D7/415, 550.1, 552.1-552.2, 566, D7/600.1-600.3, 705-706, 709; D6/675, D6/680.2, 675.1-675.2, 675.5, 680-680.1, D6/680.3, 681, 690-691; 211/30, 73-74; D9/747, 751-753, 756-758, 762, D9/759-760, 430-432, 424-425; 206/129, 712, 736, 359, 541, 549; D19/92, 101-105, 107; D32/53, 53.1, 55; 126/5, 20, 35; 243/91; 220/212.5; D3/304, 307-308
CPC F16M 11/00; A47K 1/09; A47F 7/0064; A47J 47/02; A47J 47/06; A47J 47/10; B65D 1/36; B65D 81/3446; B65D 1/00; B65D 45/12; B65D 45/16; B65D 45/18; B65D 45/20; B65D 45/22; B65D 45/30; B65D 45/322; B65D 81/3216; B65D 81/3813; B65D 85/72; B65D 5/46072; B65D 1/02; A47G 23/04; A47G 23/0683; A47G 23/06; F24C 13/00; A45C 11/20
See application file for complete search history.

(56) **References Cited**
U.S. PATENT DOCUMENTS
2,697,460 A * 12/1954 Barnett B25H 1/005
144/285
3,113,680 A * 12/1963 Frater B65D 21/048
211/126.4
(Continued)

FOREIGN PATENT DOCUMENTS
JP D1087838 * 10/2000

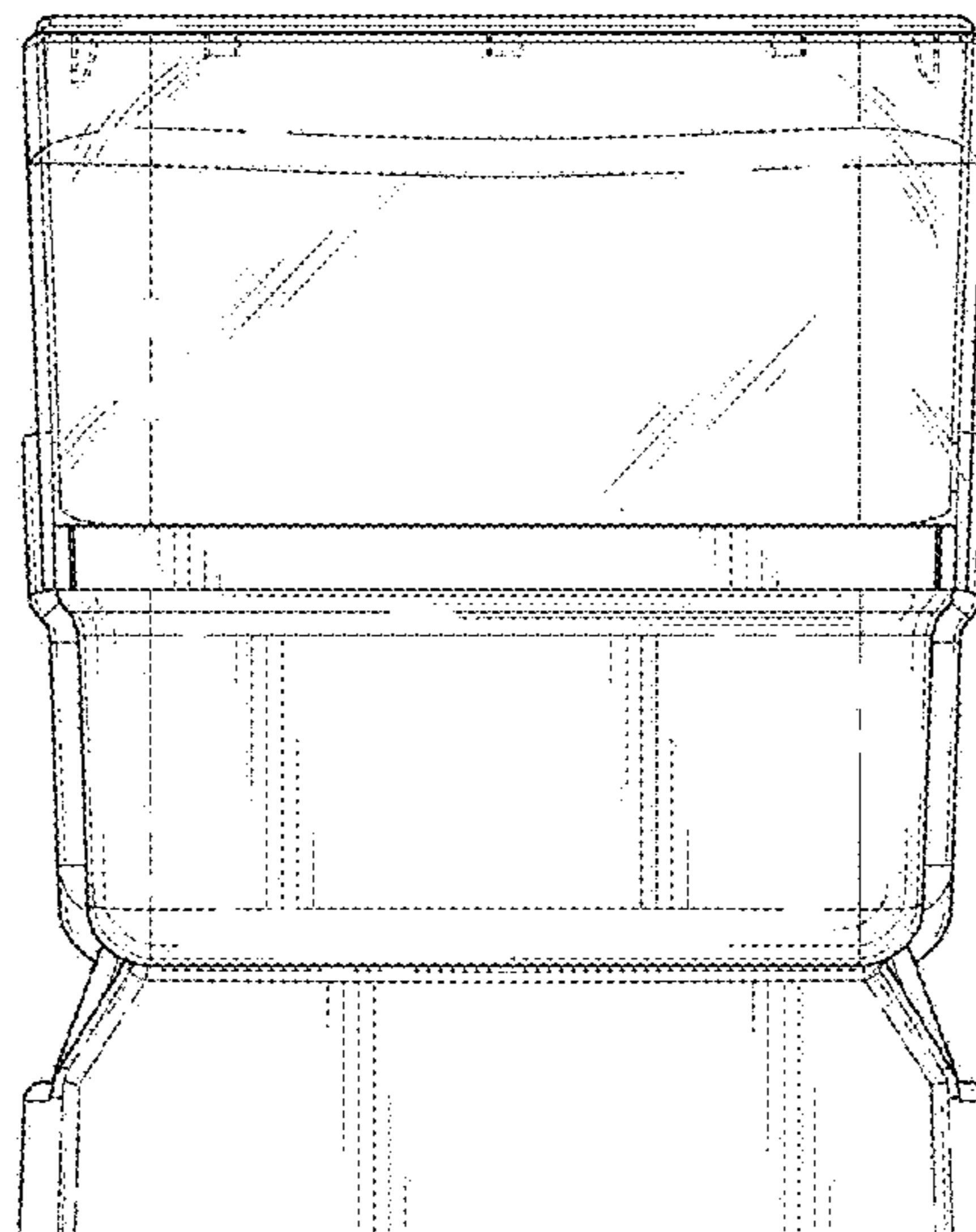
OTHER PUBLICATIONS
V50-204 Tool Caddy, Val-Pak, val-pakproducts.com, author not listed, published on Aug. 9, 2016 © 2015 Val-Pak Products, online, site visited Mar. 13, 2019. Available from Internet, URL: <https://web.archive.org/web/20160809235628/http://val-pakproducts.com/product/v50-204-tool-caddy/> (Year: 2016).*
(Continued)

Primary Examiner — Marissa J Cash
Assistant Examiner — Altaira J Swangin

(57) **CLAIM**
The ornamental design for a sandwich carrier, as shown and described.

DESCRIPTION
FIG. 1 is a front elevation view showing the new, original, and ornamental design of a sandwich carrier;
FIG. 2 is a rear elevation view thereof;
FIG. 3 is a left side elevation view, the right side being a mirror image thereof;
FIG. 4 is a top plan view thereof; and,
FIG. 5 is a bottom plan view thereof.
The broken lines shown in the drawings represent portions of the sandwich carrier that form no part of the claimed design.

1 Claim, 5 Drawing Sheets



(56)

References Cited

U.S. PATENT DOCUMENTS

D200,547 S * 3/1965 MacKay 108/46
 D229,123 S * 11/1973 Fry D3/308
 D235,454 S * 6/1975 Lindow D13/119
 D266,207 S * 9/1982 Kirchberger D3/200
 D269,218 S * 5/1983 Berman D3/308
 D270,867 S * 10/1983 Keohan D3/308
 D276,861 S * 12/1984 Keddie D3/315
 4,744,613 A * 5/1988 Brantingham B25H 3/02
 206/216
 D301,927 S * 6/1989 Williams, Jr. D3/304
 D309,970 S * 8/1990 Embree D3/304
 D311,799 S * 10/1990 Embree D3/294
 D314,658 S * 2/1991 Ancona D3/308
 D322,993 S * 1/1992 Hobson D19/75
 D325,846 S * 5/1992 Murray D7/352
 D327,560 S * 6/1992 Hradisky D3/307
 D327,561 S * 6/1992 Hradisky D3/307
 5,590,770 A * 1/1997 Yeh G11B 33/0444
 206/308.1
 D385,720 S * 11/1997 Dickinson D3/279
 D389,305 S * 1/1998 Hauschild D3/260
 D395,970 S * 7/1998 Curry D6/517
 D408,140 S * 4/1999 Johnson D3/276
 D409,387 S * 5/1999 Yemini D3/304
 D415,423 S * 10/1999 Miller D9/431
 D446,698 S * 8/2001 Thomas D12/419
 D451,281 S * 12/2001 Wodkowski D3/307
 D462,838 S * 9/2002 Van Lanningham D3/304
 6,533,233 B2 * 3/2003 Thomas B60N 3/103
 206/217
 D513,817 S * 1/2006 Miller D30/161
 D542,034 S * 5/2007 Romano D25/68
 D573,795 S * 7/2008 Henderson D3/315
 D583,562 S * 12/2008 Ghiorghie D3/304
 D594,229 S * 6/2009 Barkdoll D3/304
 D605,856 S * 12/2009 Wu D3/304
 D607,638 S * 1/2010 Hensley D3/231
 D621,619 S * 8/2010 Ripoll D3/304
 D630,852 S * 1/2011 Kobilarcik D3/307
 D631,662 S * 2/2011 Tiedemann D3/315
 D632,928 S * 2/2011 Smyers D7/602
 D635,770 S * 4/2011 Kobilarcik D3/304
 D639,562 S * 6/2011 Cadwell D3/307
 D670,500 S * 11/2012 Sosnovsky D3/304
 D683,962 S * 6/2013 Brunner D3/304

D688,044 S * 8/2013 Brunner D3/304
 8,636,169 B2 * 1/2014 Sampaio B65D 25/2891
 200/555
 D700,780 S * 3/2014 Currier D3/304
 D708,066 S * 7/2014 Peacock D9/424
 D716,554 S * 11/2014 Chen D3/315
 D762,065 S * 7/2016 Hsu D3/304
 D784,018 S * 4/2017 Shamp D3/304
 D805,402 S * 12/2017 Gamble D9/755
 D823,600 S * 7/2018 Pennington D3/315
 D840,838 S * 2/2019 Wonderley D9/748
 10,807,786 B2 * 10/2020 Bramwell A61J 1/165
 2003/0230499 A1 * 12/2003 Wagner B65D 5/4275
 206/216
 2004/0016666 A1 * 1/2004 Redzisz A45C 13/04
 206/372
 2006/0027469 A1 * 2/2006 Irwin A47L 13/51
 206/216
 2006/0037881 A1 * 2/2006 Redzisz A45C 7/0036
 206/373
 2006/0219587 A1 * 10/2006 Redzisz A45C 13/04
 206/373
 2009/0301912 A1 * 12/2009 Cornell B65D 25/34
 206/373
 2010/0133132 A1 * 6/2010 Allan A47L 13/51
 206/372
 2014/0053507 A1 * 2/2014 Oblisk B65D 61/00
 53/413
 2019/0066884 A1 * 2/2019 Gorghuber H01B 17/005
 2019/0075772 A1 * 3/2019 Kaihara A01K 97/06
 2019/0118998 A1 * 4/2019 Uthuppan B65D 5/46072
 2019/0300266 A1 * 10/2019 Bramwell A61J 1/165

OTHER PUBLICATIONS

Sandwich Caddy, Ideas Novel/Jose, facebook.com, published by Ideas Novel on Sep. 8, 2017 © 2019 Facebook, online, site visited Nov. 22, 2019. Available from Internet, URL: https://www.facebook.com/pg/Sandwich-Caddy-666278873578288/posts/?ref=page_internal (Year: 2017).*

Sandwich Caddy, Ideas Novel, ideasnovel.com, published by J. Uthuppan on Jan. 18, 2018 per wayback machine © not listed, site visited Nov. 22, 2019. Available from Internet, URL: <https://www.ideasnovel.com> (Year: 2018).*

* cited by examiner

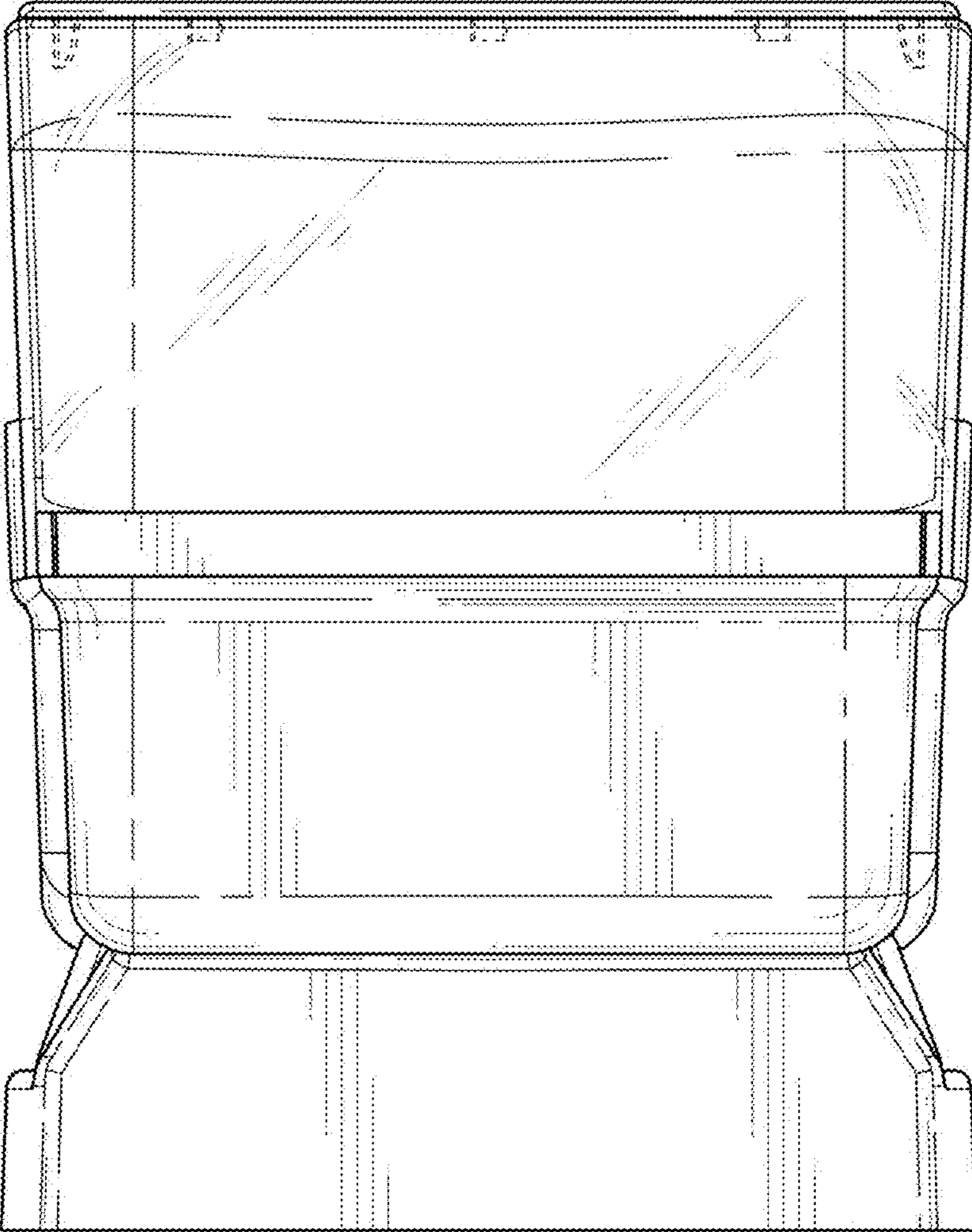


FIG. 1

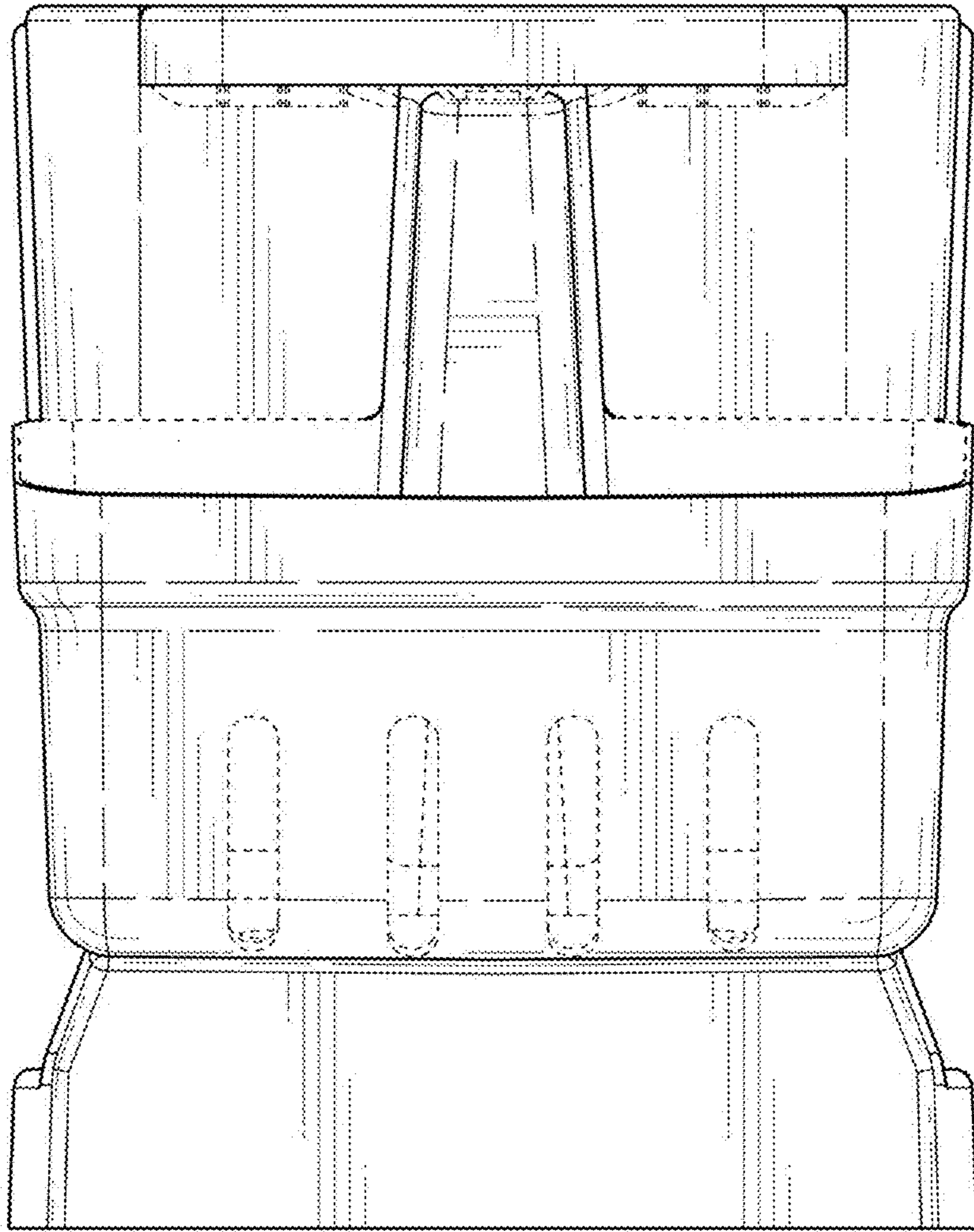


FIG. 2

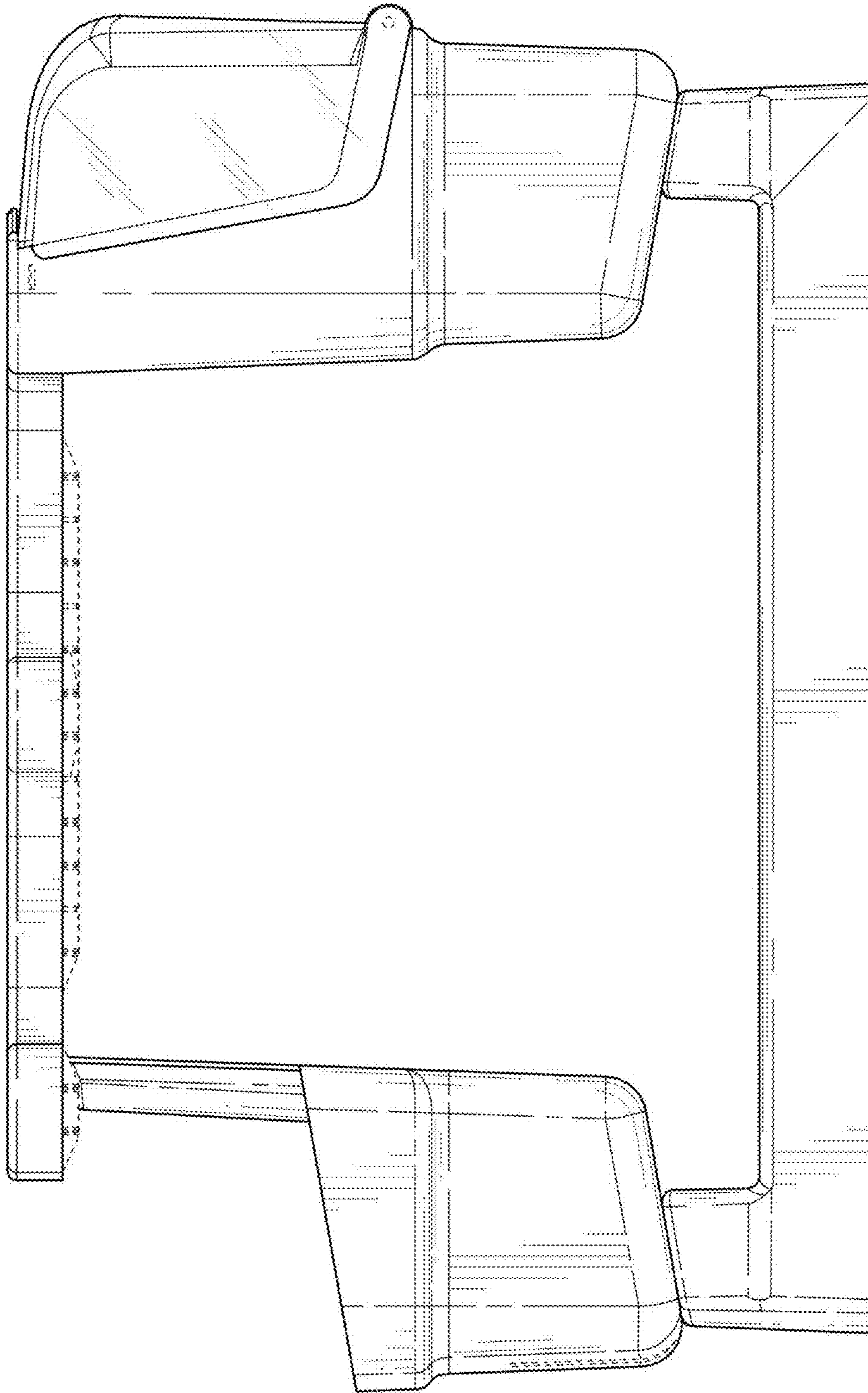


FIG. 3

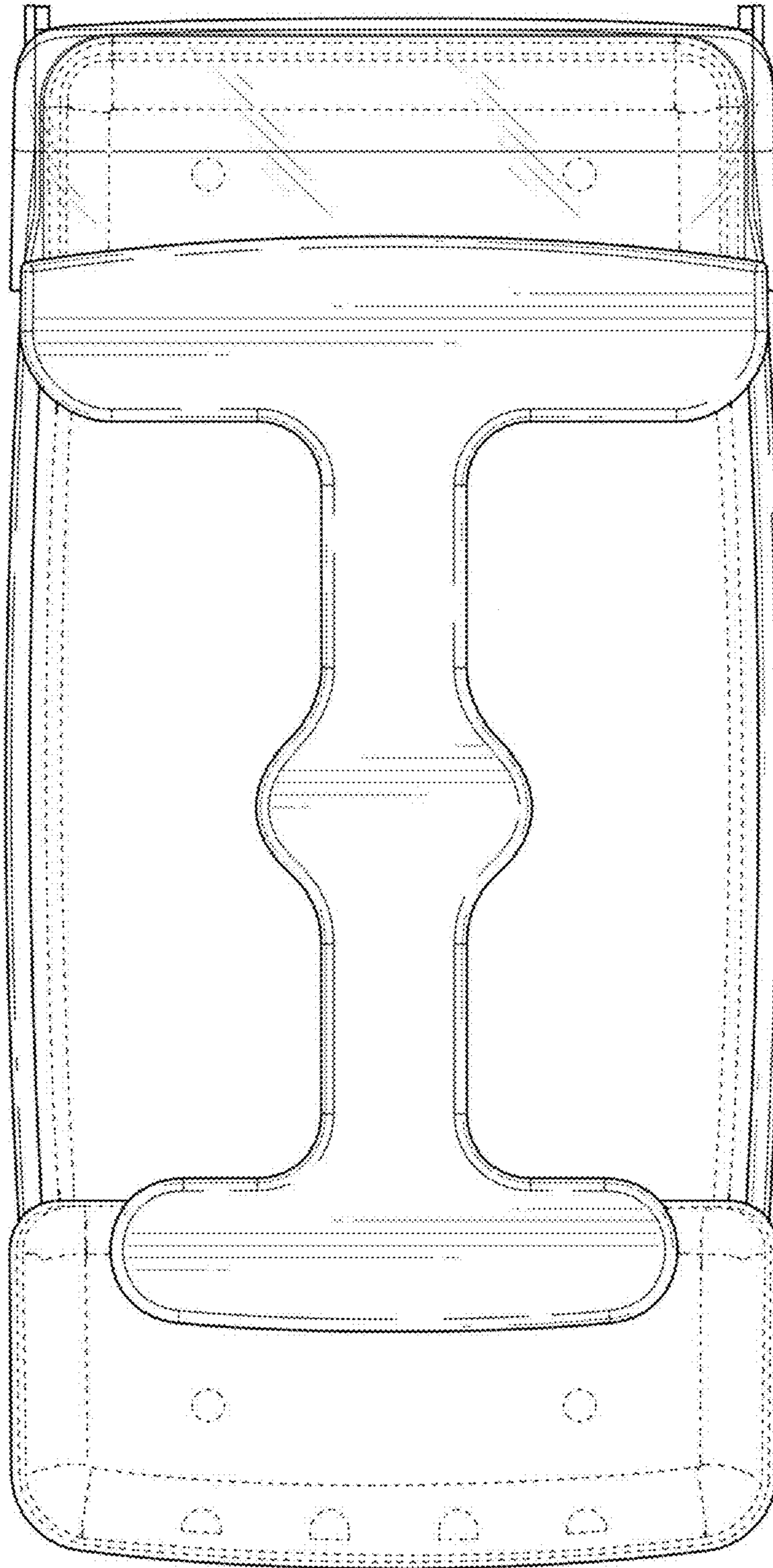


FIG. 4

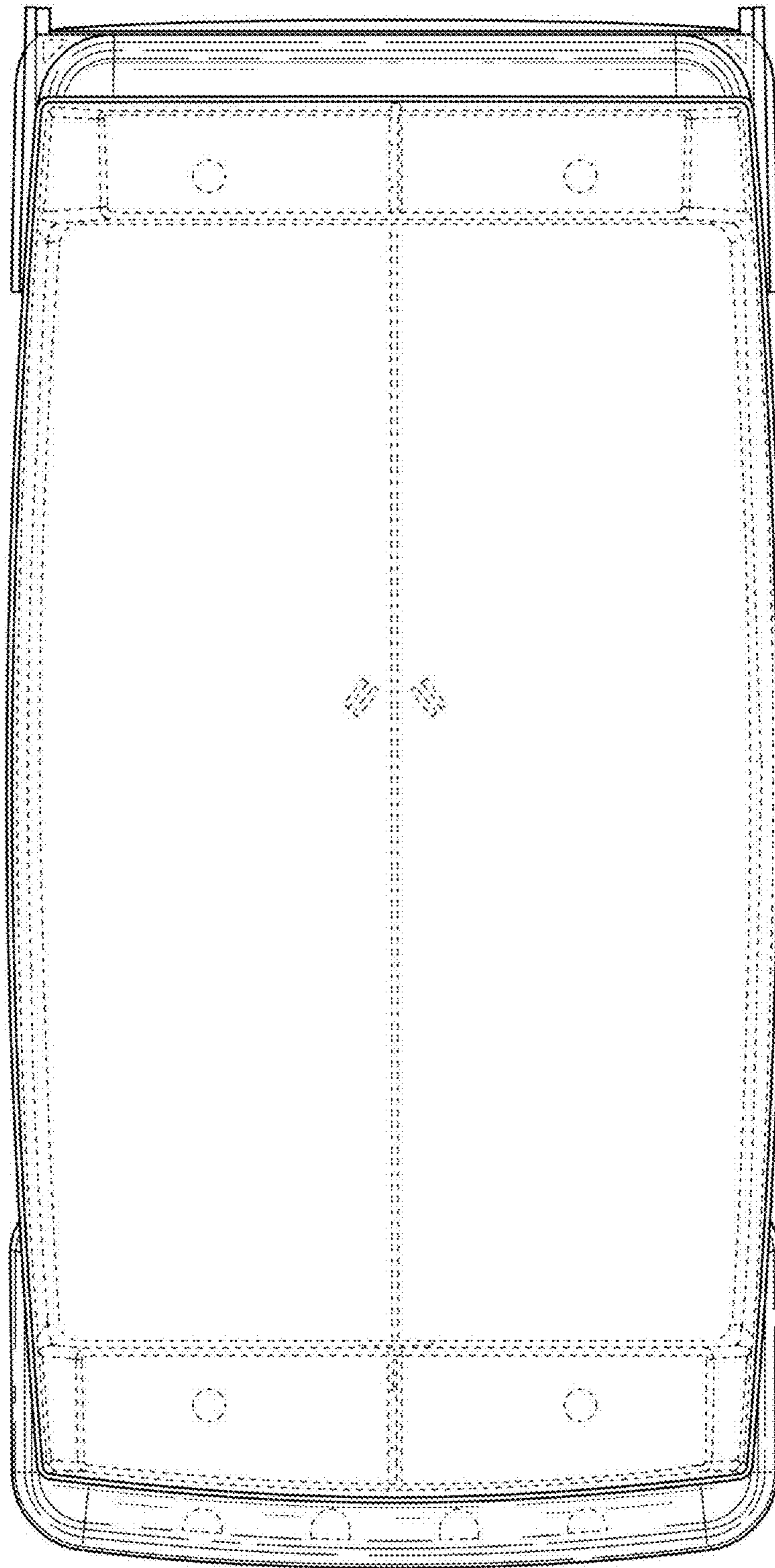


FIG. 5