



US00D911115S

(12) **United States Design Patent** (10) **Patent No.:** **US D911,115 S**
Limb et al. (45) **Date of Patent:** **** Feb. 23, 2021**

(54) **SUSHI HAND ROLL HOLDER**
(71) Applicant: **Launchpad Hospitality LLC**, New York, NY (US)
(72) Inventors: **Lisa Limb**, New York, NY (US); **Sebastian Lucrecio**, New York, NY (US)
(73) Assignee: **LAUNCHPAD HOSPITALITY LLC**, New York, NY (US)

D580,230 S * 11/2008 Arney D7/601
D651,450 S * 1/2012 Pallotto D7/368
D789,157 S * 6/2017 Esposito D7/624.2
D790,127 S * 6/2017 Verleur D27/183
10,398,243 B2 * 9/2019 Sedgwick A47G 19/30
D873,427 S * 1/2020 Murphy D24/199
D875,480 S * 2/2020 Haines D7/619.1
D889,909 S 7/2020 Chapman
2010/0108825 A1 * 5/2010 Brock F16L 3/02
248/73

(**) Term: **15 Years**

FOREIGN PATENT DOCUMENTS
EP 279804 A1 8/1988
FR 20103491-002 A 7/2009

(21) Appl. No.: **29/746,835**
(22) Filed: **Aug. 18, 2020**
(51) **LOC (13) Cl.** **07-01**
(52) **U.S. Cl.**
USPC **D7/587**; D7/504; D7/500; D7/601
(58) **Field of Classification Search**
USPC D26/116, 117; D9/455, 456; D7/504, D7/601, 602, 701, 631, 632, 637-641, D7/619.1, 624.2, 500, 586, 587; D8/356, D8/380, 396, 354; D27/183; D22/147
CPC .. A47G 2019/306; A47G 19/30; B65D 85/20; A24F 13/22; A24F 19/0035
See application file for complete search history.

OTHER PUBLICATIONS

Kelly Dobkin, Nami Nori Brings Creative Hand Rolled Sushi to NYC's West Village, Dec. 17, 2019, Michelin Guide, <https://guide.michelin.com/us/en/california/article/dining-out/nami-nori-sushi-restaurant-nyc> (Year: 2019).*

(Continued)

Primary Examiner — Brett Miller
(74) *Attorney, Agent, or Firm* — Abelman, Frayne & Schwab

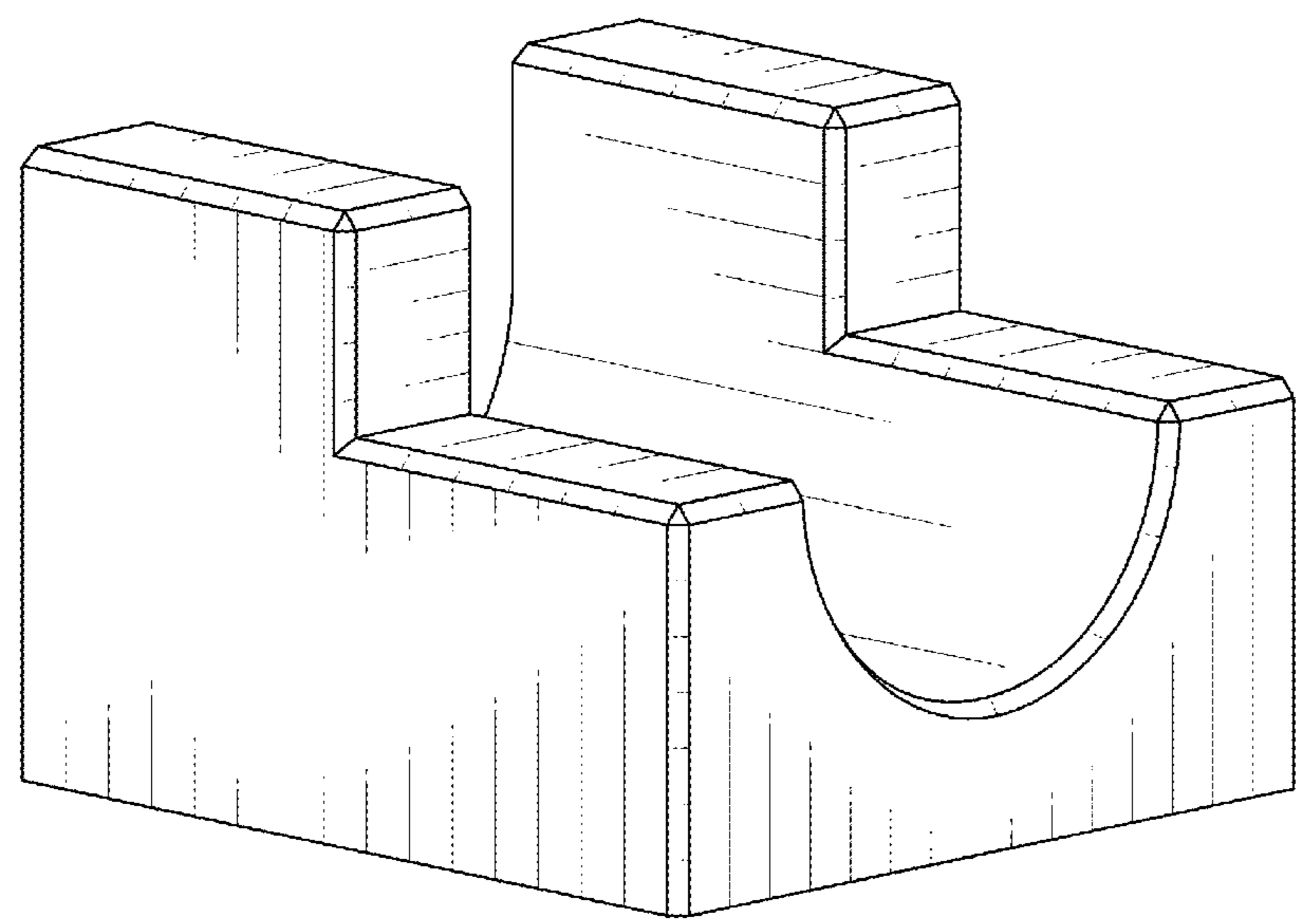
(57) **CLAIM**
The ornamental design for a sushi hand roll holder, as shown and described.

(56) **References Cited**
U.S. PATENT DOCUMENTS
D197,828 S * 3/1964 Reis D24/199
D198,488 S * 6/1964 Reis D24/199
D259,010 S 4/1981 Klatt
4,270,660 A 6/1981 Putt
D263,191 S * 3/1982 Moore D19/90
4,437,826 A 3/1984 Tezuka
D279,160 S * 6/1985 Hunt D7/411
4,674,967 A 6/1987 Oseka
D300,707 S 4/1989 Walmesley
D499,607 S 12/2004 Lyon
D536,933 S * 2/2007 Perlman D7/619.1

DESCRIPTION

FIG. 1 is a front, left and top perspective view of a sushi hand roll holder showing the new design;
FIG. 2 is a front elevation view thereof;
FIG. 3 is a rear elevation view thereof;
FIG. 4 is a right side elevation view thereof, the left side elevation view being a mirrored image thereof; and,
FIG. 5 being a top plan view thereof.

1 Claim, 3 Drawing Sheets



(56)

References Cited

OTHER PUBLICATIONS

Glen Home Store, DIY 10 in 1 Sushi Maker (retrieved Aug. 4, 2020; 5 pages).

Pinterest, Christmas Central Double Taco Holder (retrieved Aug. 4, 2020; 1 page).

Pinterest, Miscellaneous Taco and Sushi Holders (retrieved Aug. 4, 2020; 8 pages).

Goiio Taco Holder (retrieved Aug. 4, 2020; 1 page).

* cited by examiner

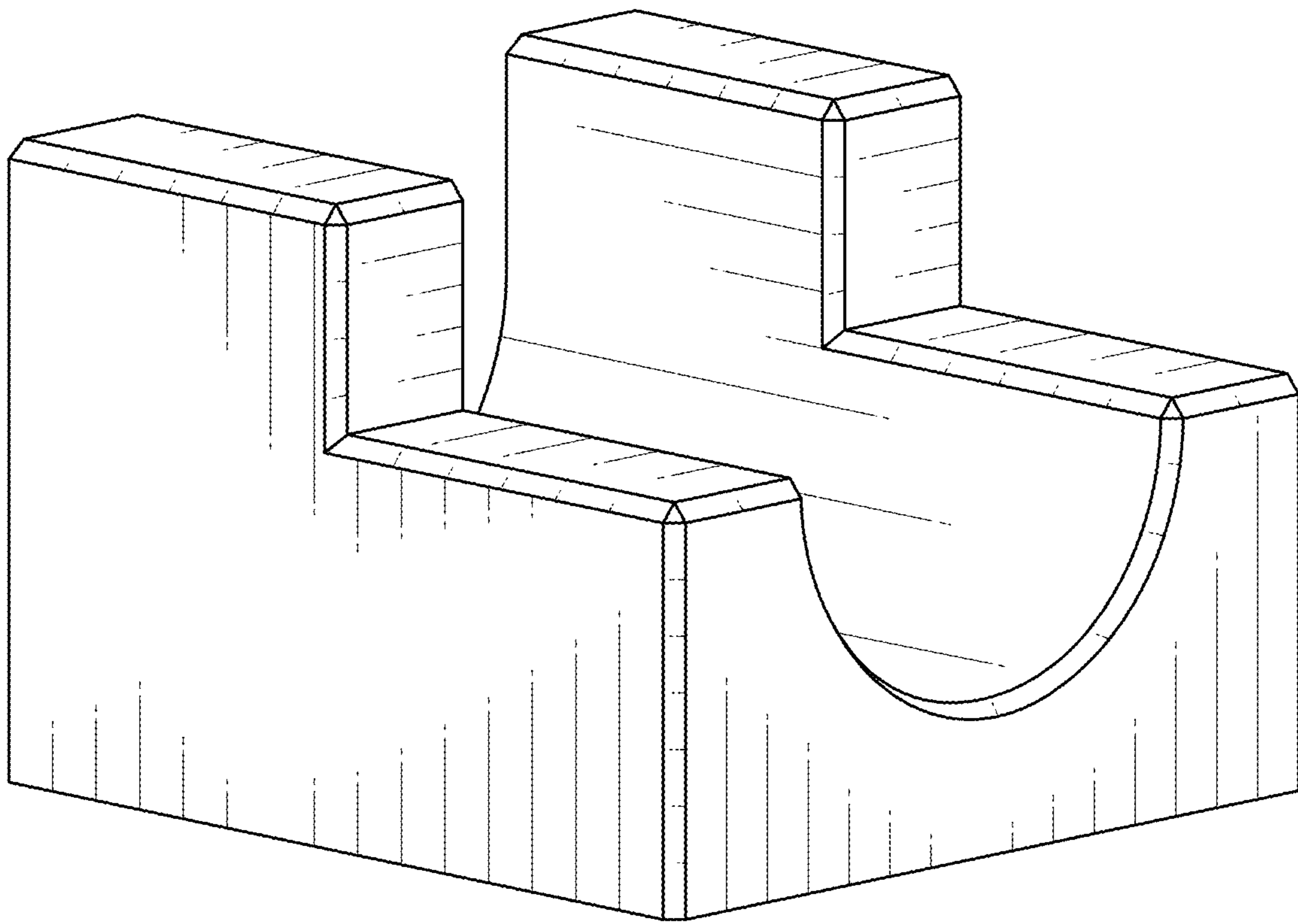


FIG. 1

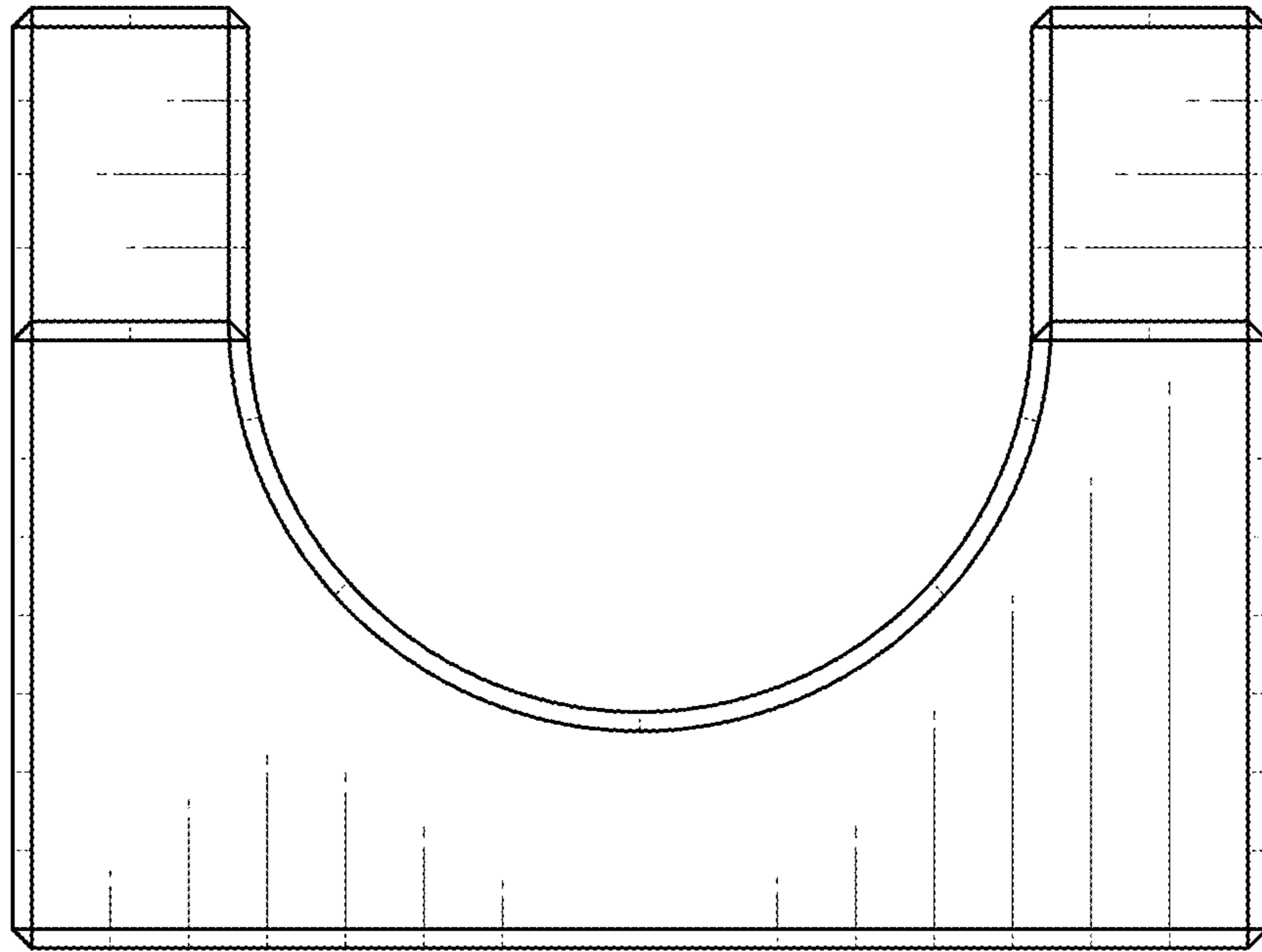


FIG. 2

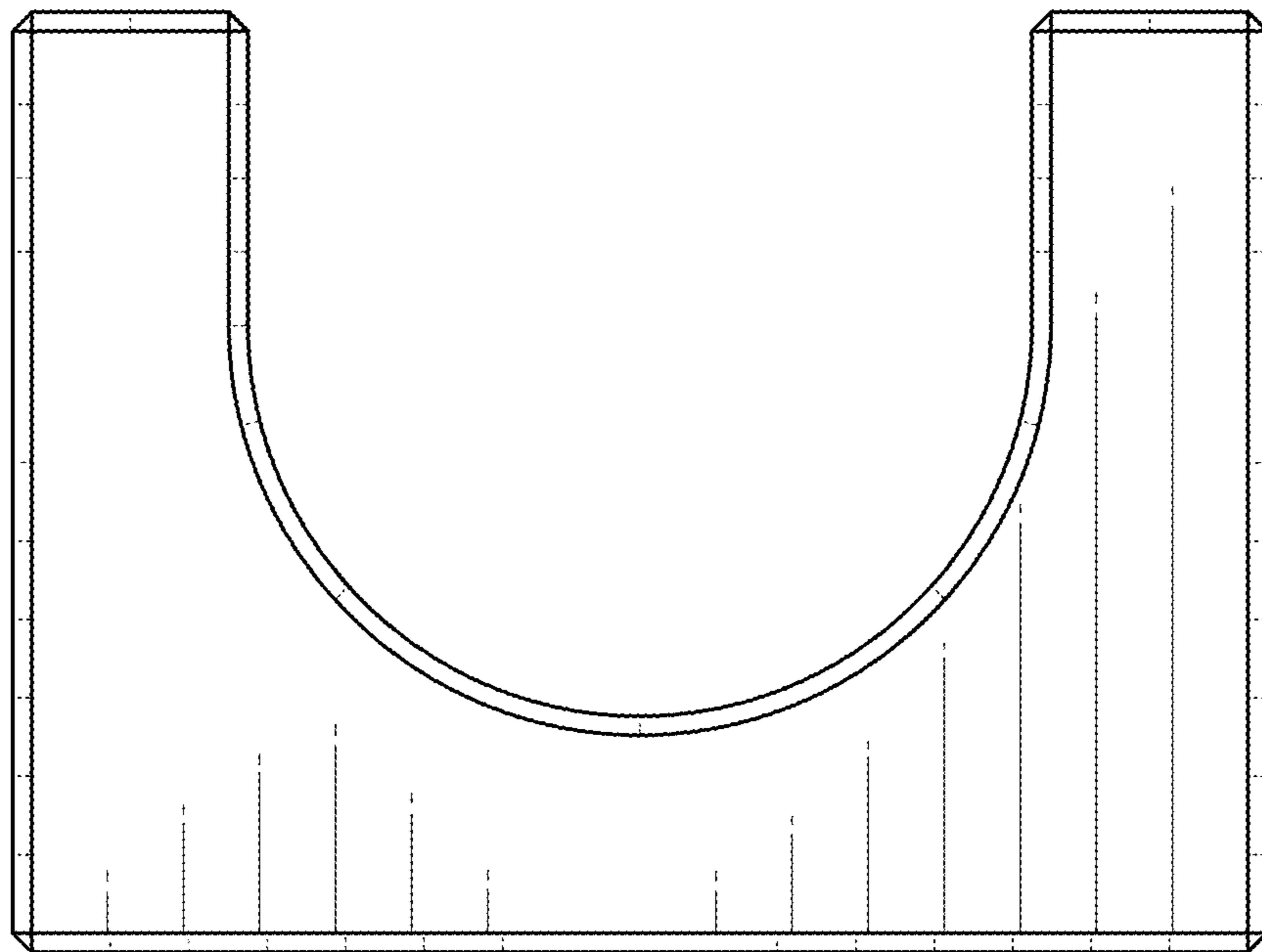


FIG. 3

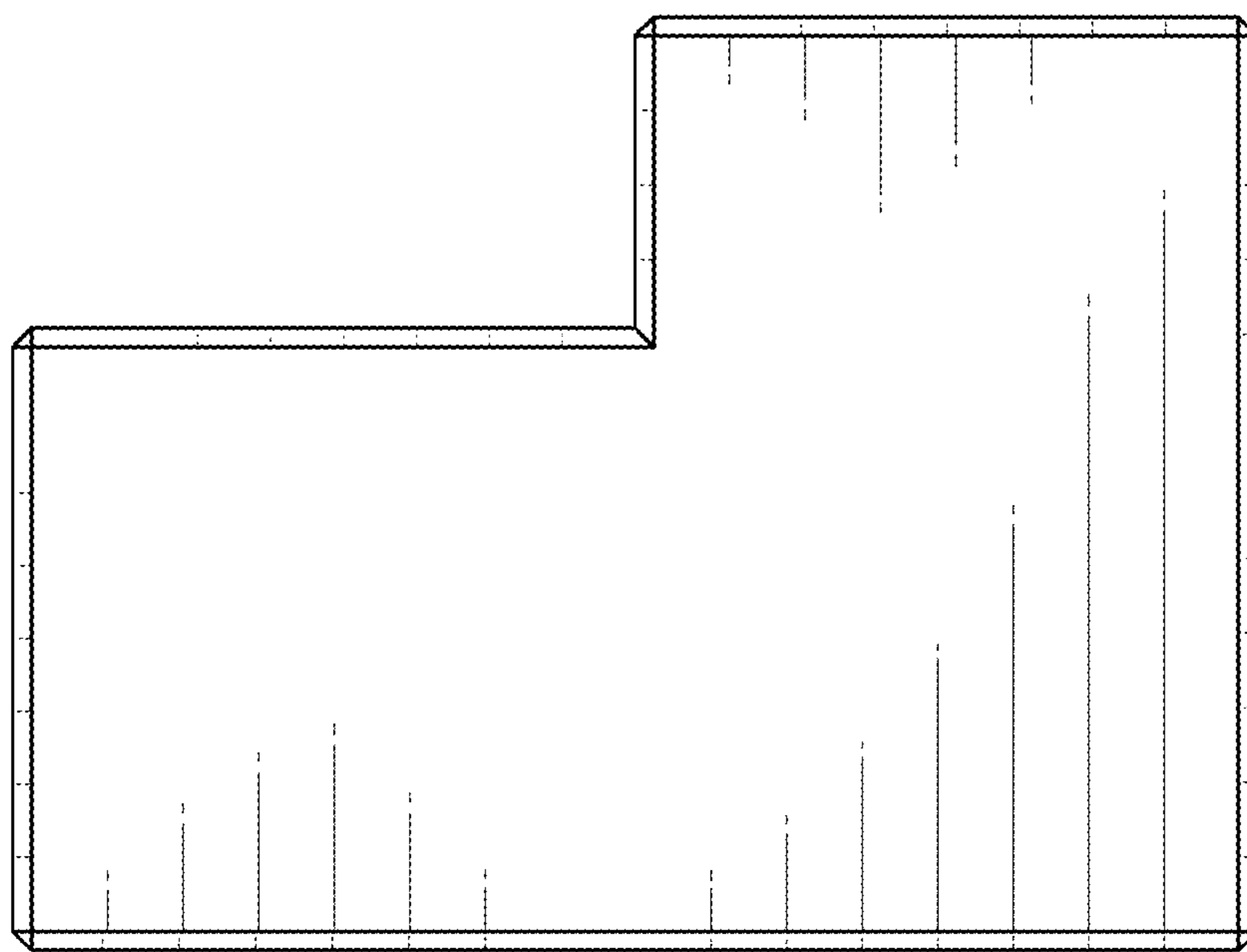


FIG. 4

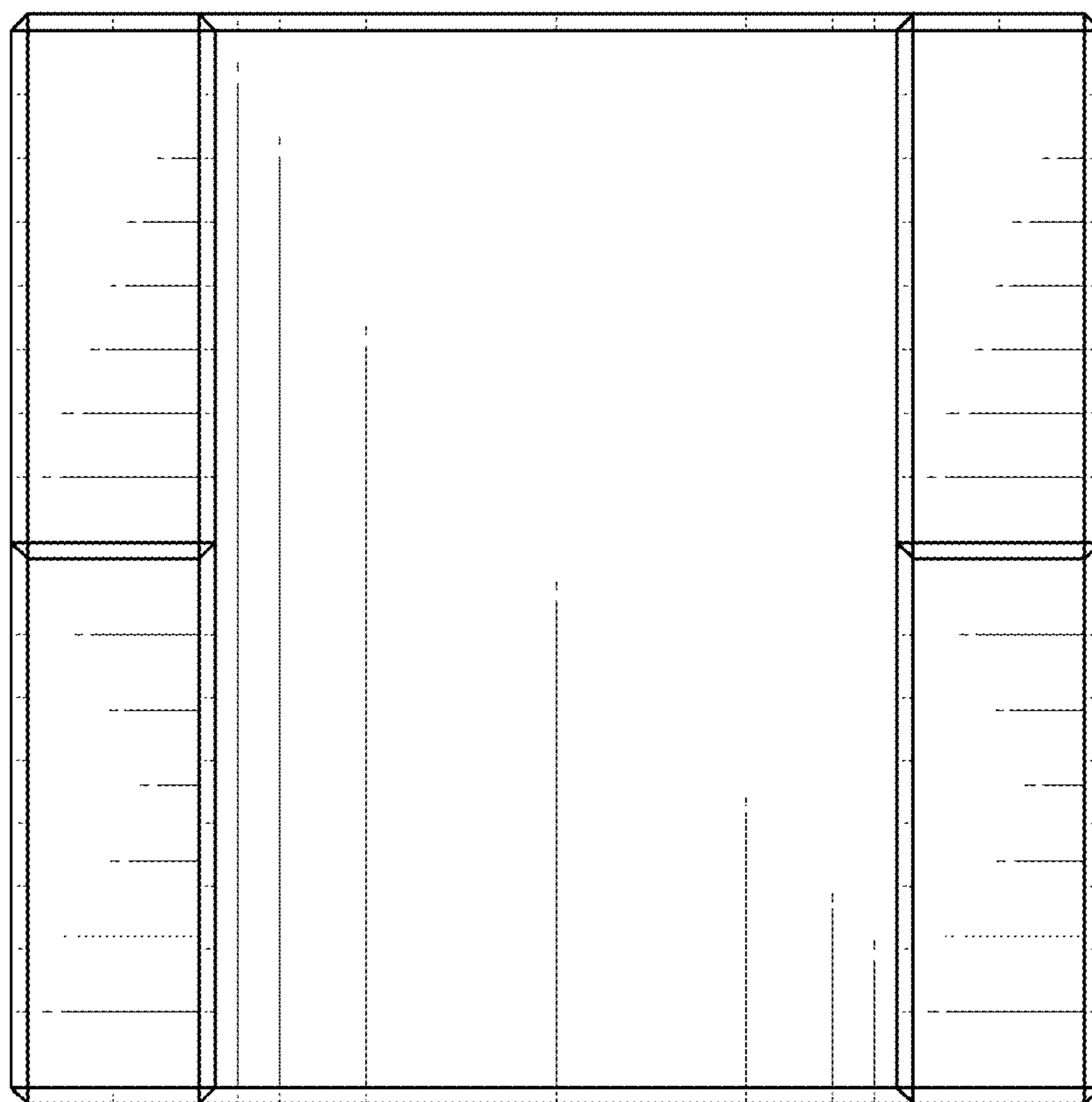


FIG. 5