



US00D911112S

(12) **United States Design Patent** (10) **Patent No.:** **US D911,112 S**
Liao (45) **Date of Patent:** **** Feb. 23, 2021**

(54) **MIXING BOWL**
(71) Applicant: **Shenzhenshi xiayingkeji youxiangongsi**, Shenzhen Guangdong (CN)
(72) Inventor: **Yanxia Liao**, Chaozhou Guangdong (CN)
(**) Term: **15 Years**
(21) Appl. No.: **29/744,214**
(22) Filed: **Jul. 28, 2020**
(51) **LOC (13) Cl.** **07-01**
(52) **U.S. Cl.**
USPC **D7/586; D7/538**
(58) **Field of Classification Search**
USPC D7/584, 587, 602, 554.2, 586, 538; D30/127; 220/574, 751, 23.4
CPC A47G 19/2205; A47G 2019/122; A47G 19/025
See application file for complete search history.

D572,535 S * 7/2008 El-Ghouyel D7/500
D613,131 S * 4/2010 Chen D7/667
D644,068 S * 8/2011 Usrey D7/538
D652,258 S 1/2012 Lee
D787,274 S * 5/2017 Gagnon D7/586
D821,873 S * 7/2018 Katopis D9/452
D827,382 S * 9/2018 Uzunlar D7/538
D874,222 S * 2/2020 Saubert D7/412
D876,901 S * 3/2020 Cheng D7/586

* cited by examiner

Primary Examiner — Cynthia R Underwood

(74) Attorney, Agent, or Firm — ZANIP

(57) **CLAIM**

The ornamental design for a mixing bowl, as shown and described.

DESCRIPTION

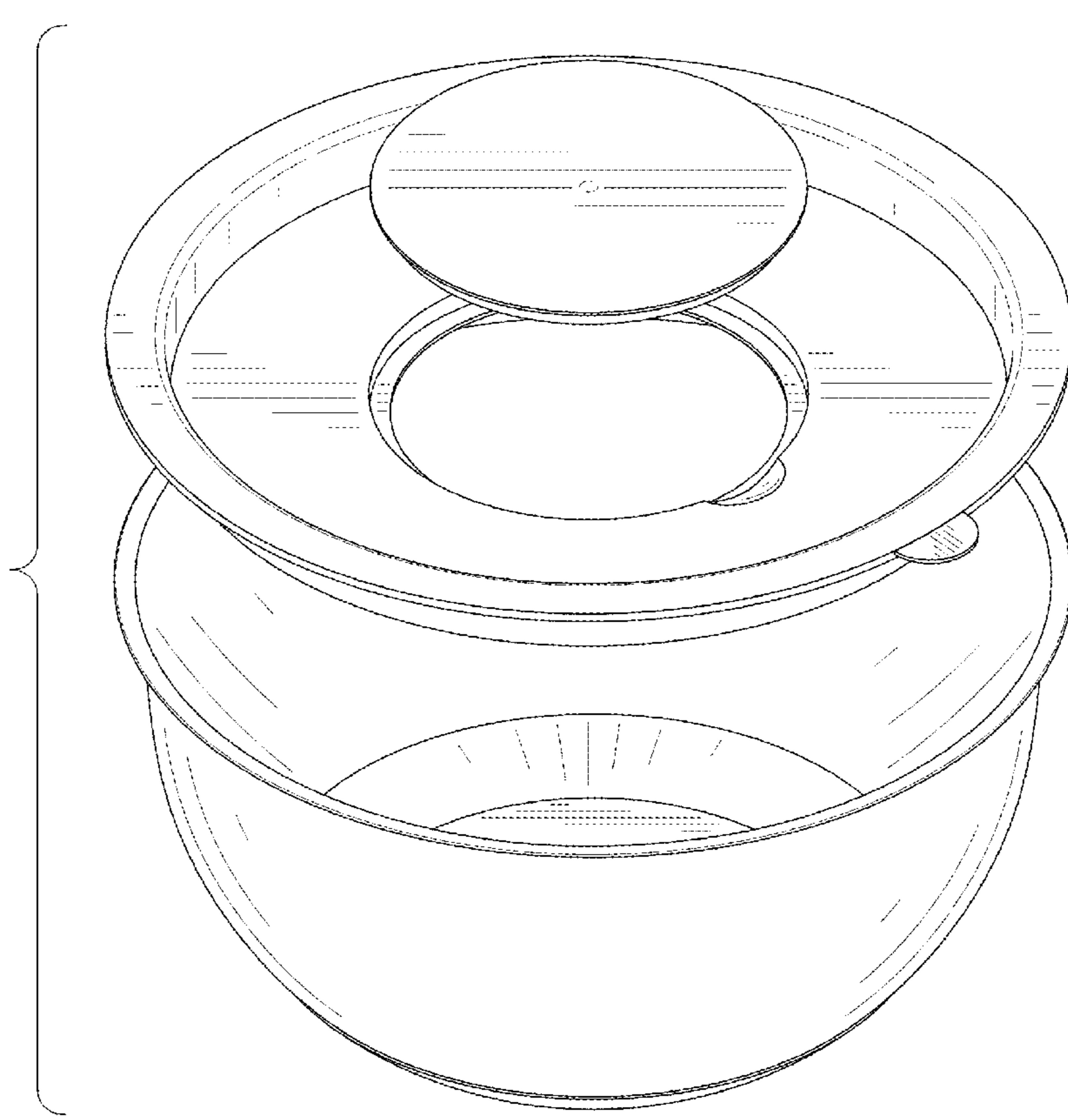
FIG. 1 is a front and top perspective view of a mixing bowl, showing my, new design;
FIG. 2 is a rear and bottom perspective view thereof;
FIG. 3 is a front elevational view thereof;
FIG. 4 is a rear elevational view thereof;
FIG. 5 is a left side elevational view thereof;
FIG. 6 is a right side elevational view thereof;
FIG. 7 is a top plan view thereof; and,
FIG. 8 is a bottom plan view thereof.
The broken lines in the figures illustrate portions of the article that form no part of the claimed design.

1 Claim, 8 Drawing Sheets

(56) **References Cited**

U.S. PATENT DOCUMENTS

2,802,499 A * 8/1957 Tupper A47J 43/0727 366/347
D303,908 S * 10/1989 Anderson D7/387
D402,159 S * 12/1998 Laib D7/538
D493,671 S * 8/2004 Lebowitz D7/583



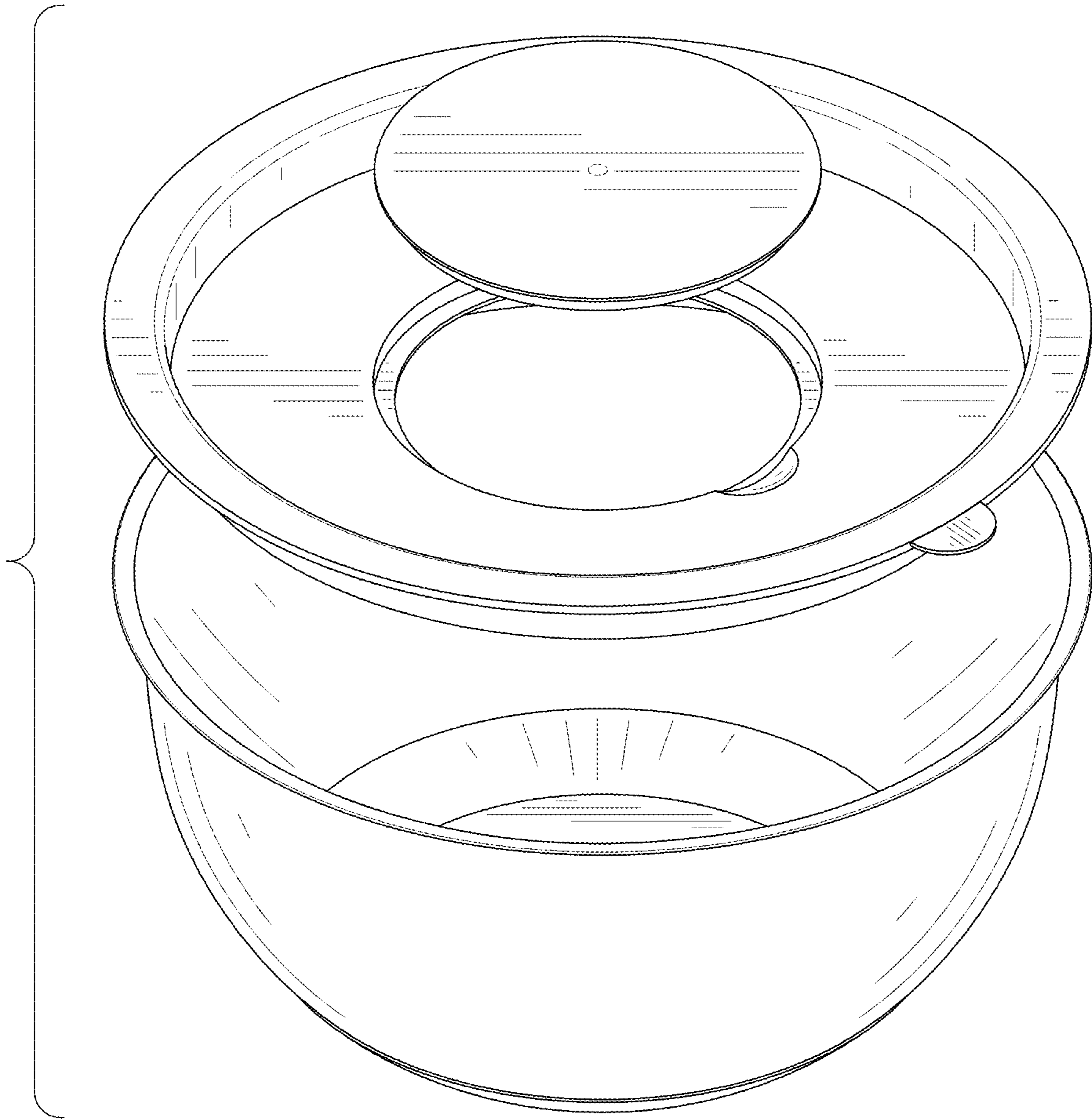


FIG. 1

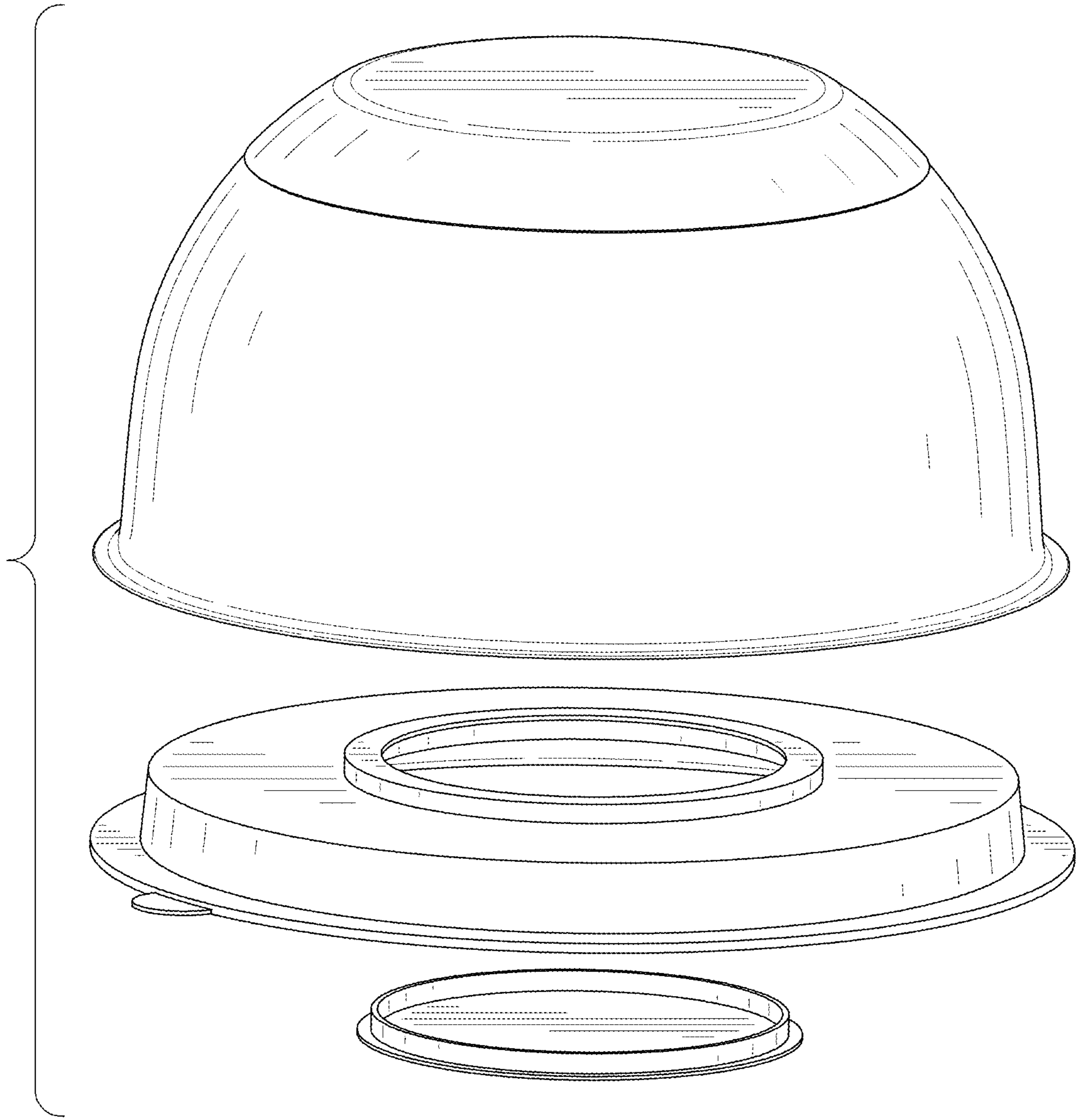


FIG. 2

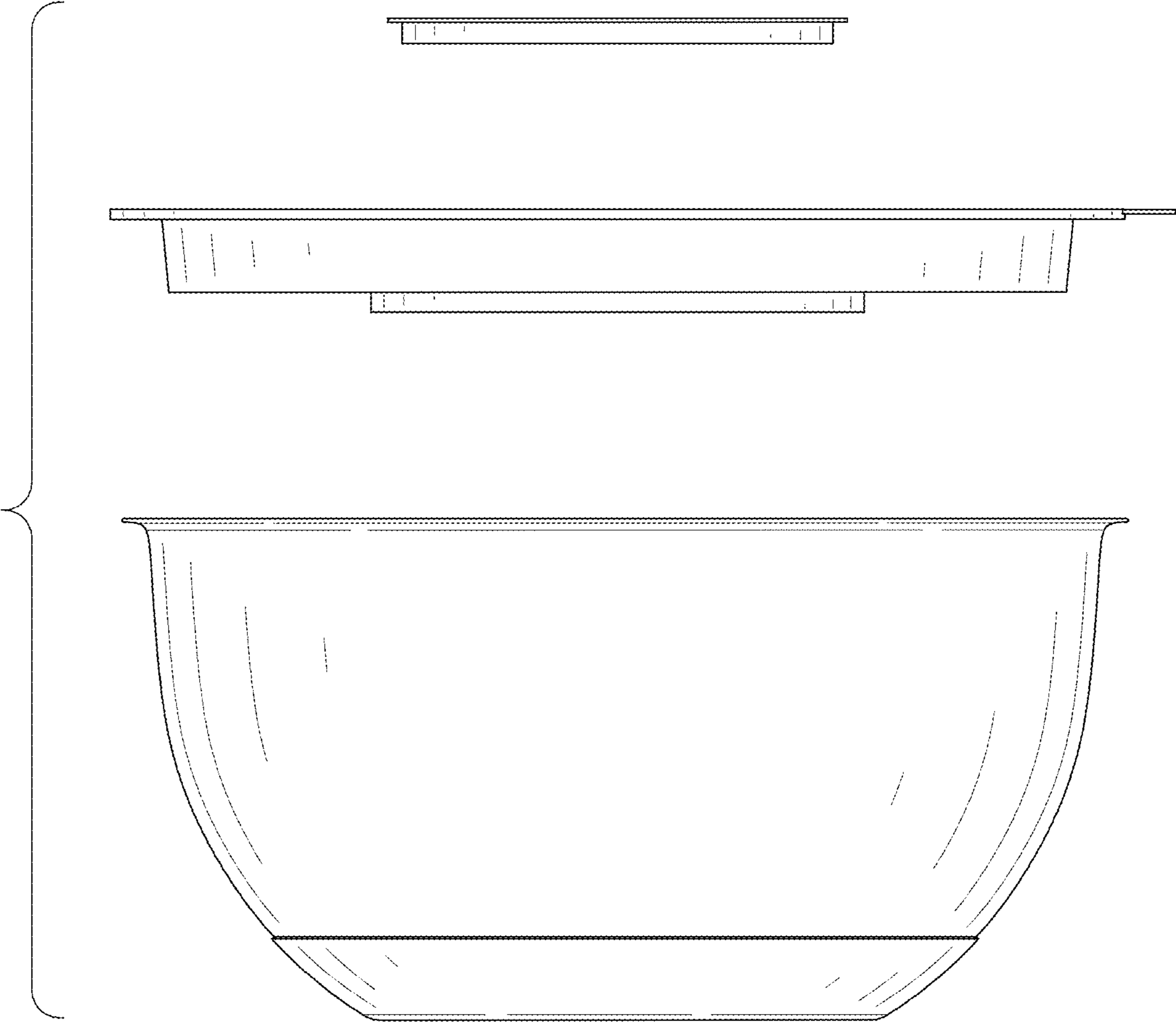


FIG. 3

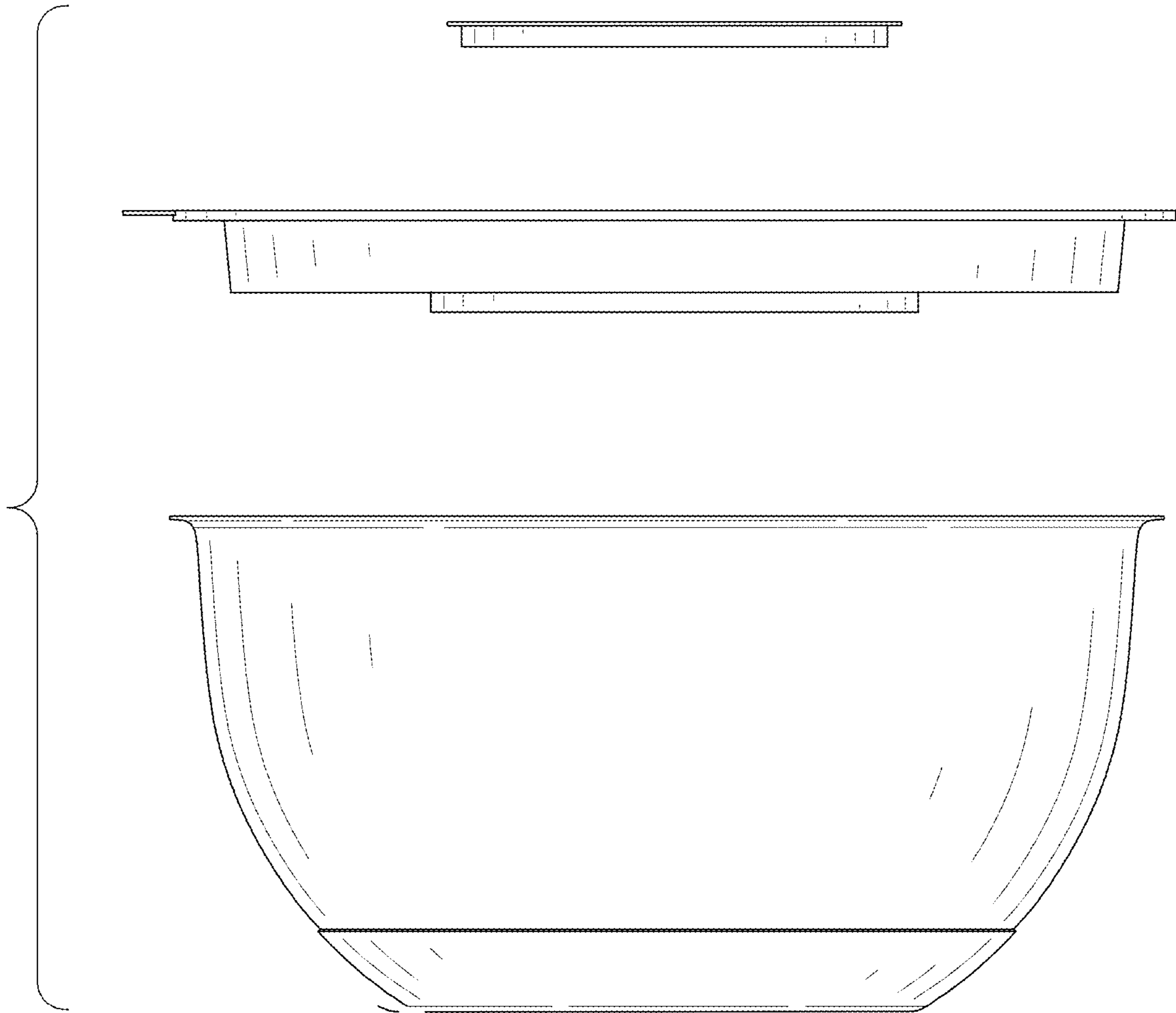


FIG. 4

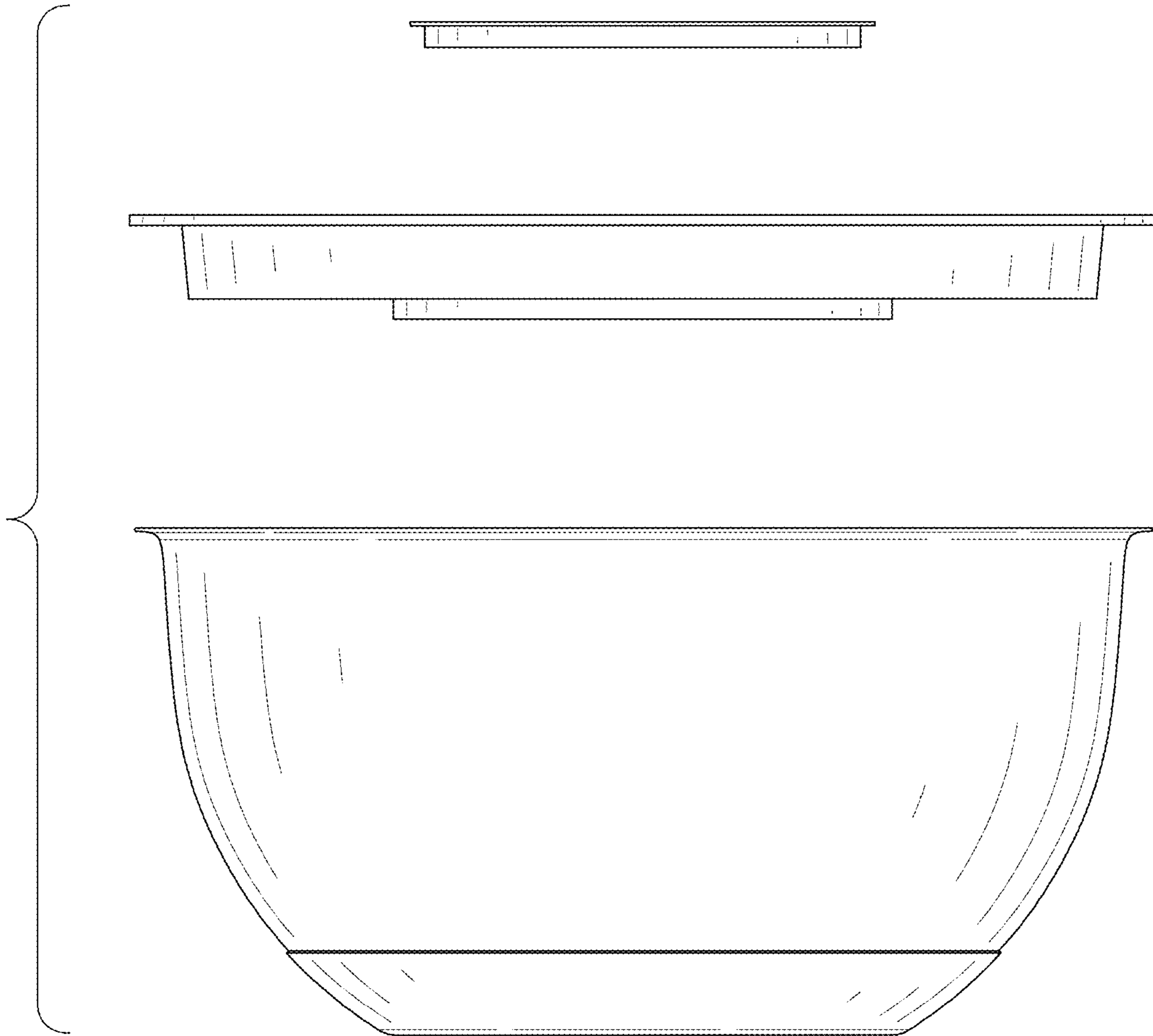


FIG. 5

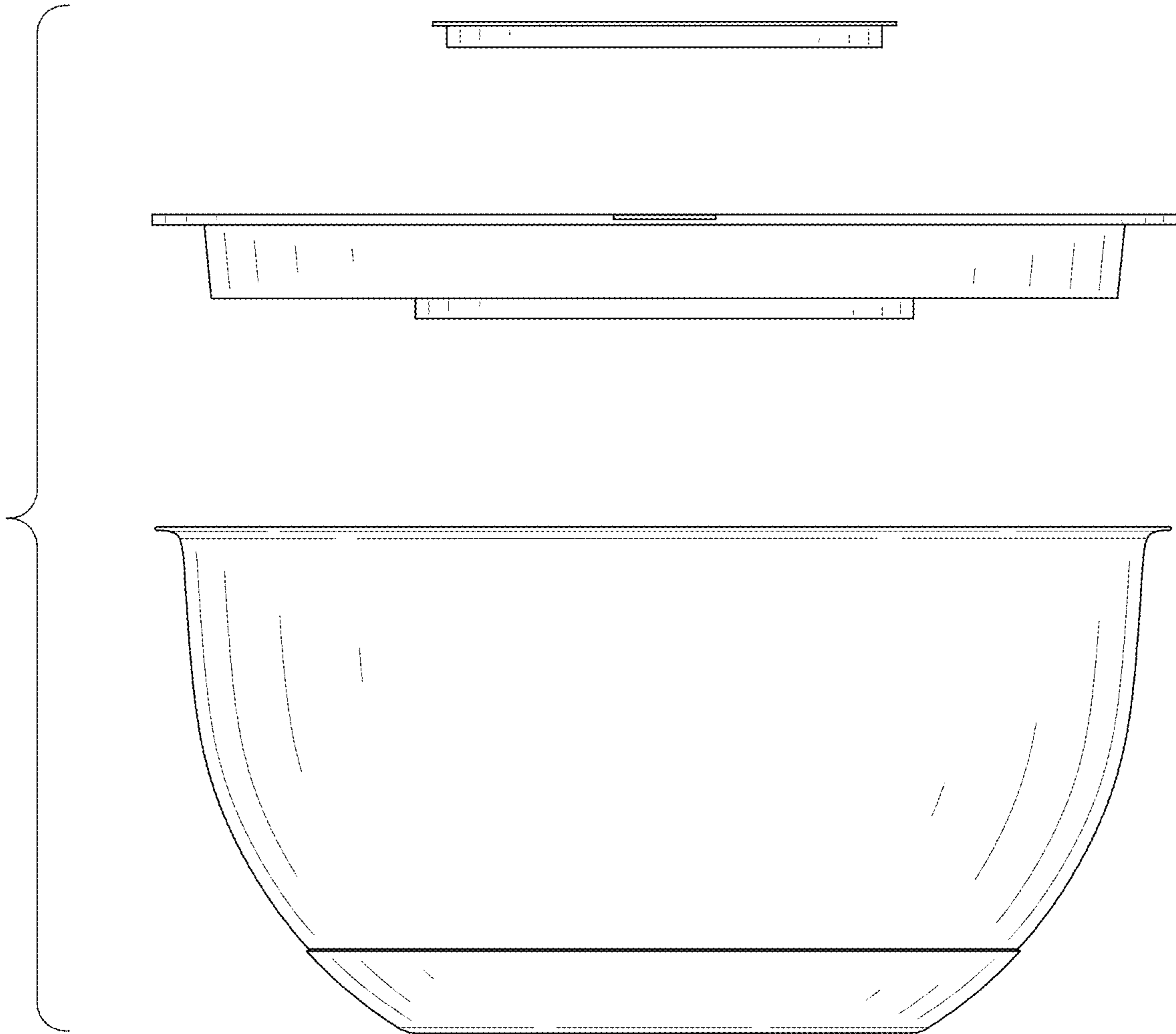


FIG. 6

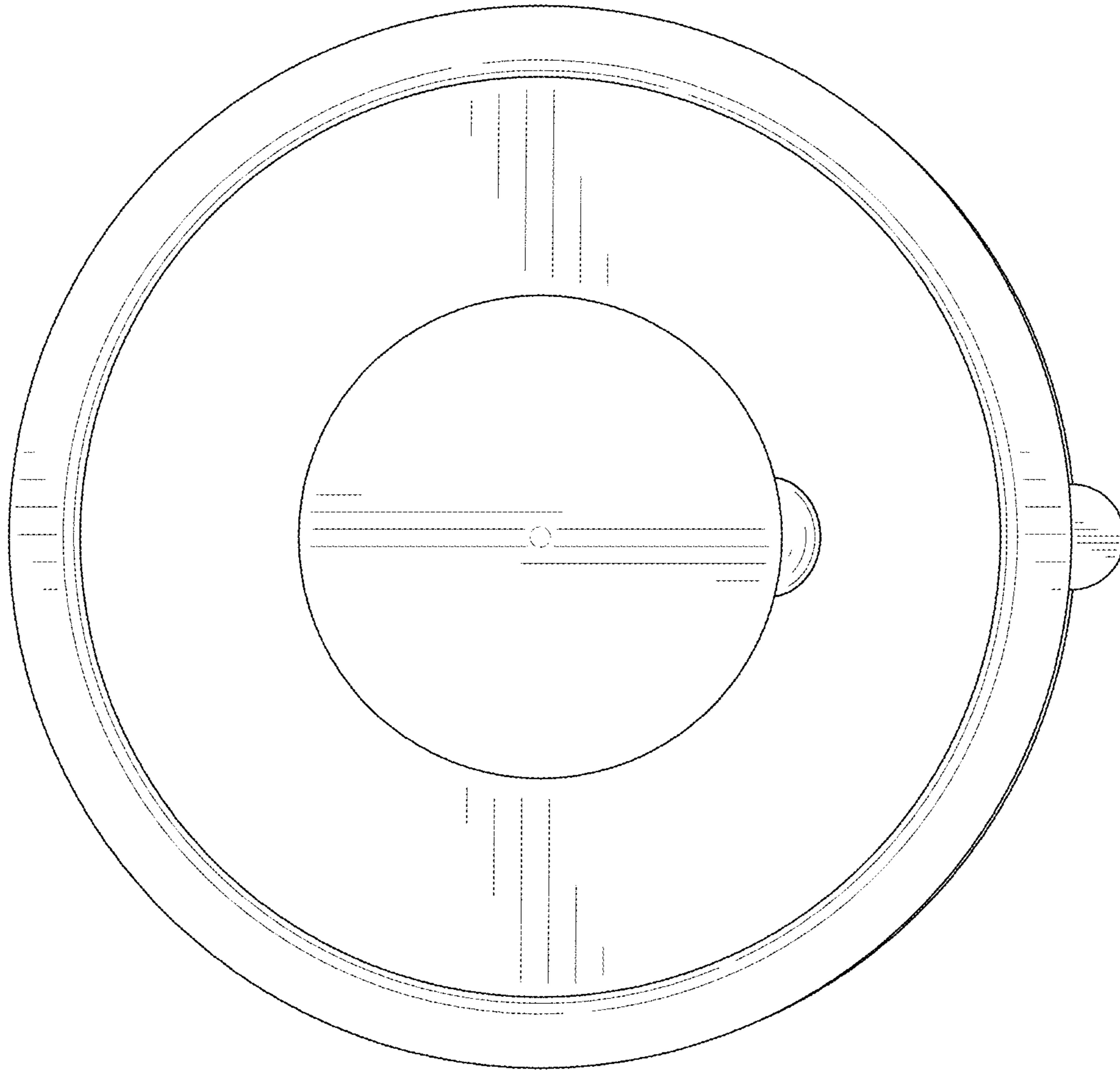


FIG. 7

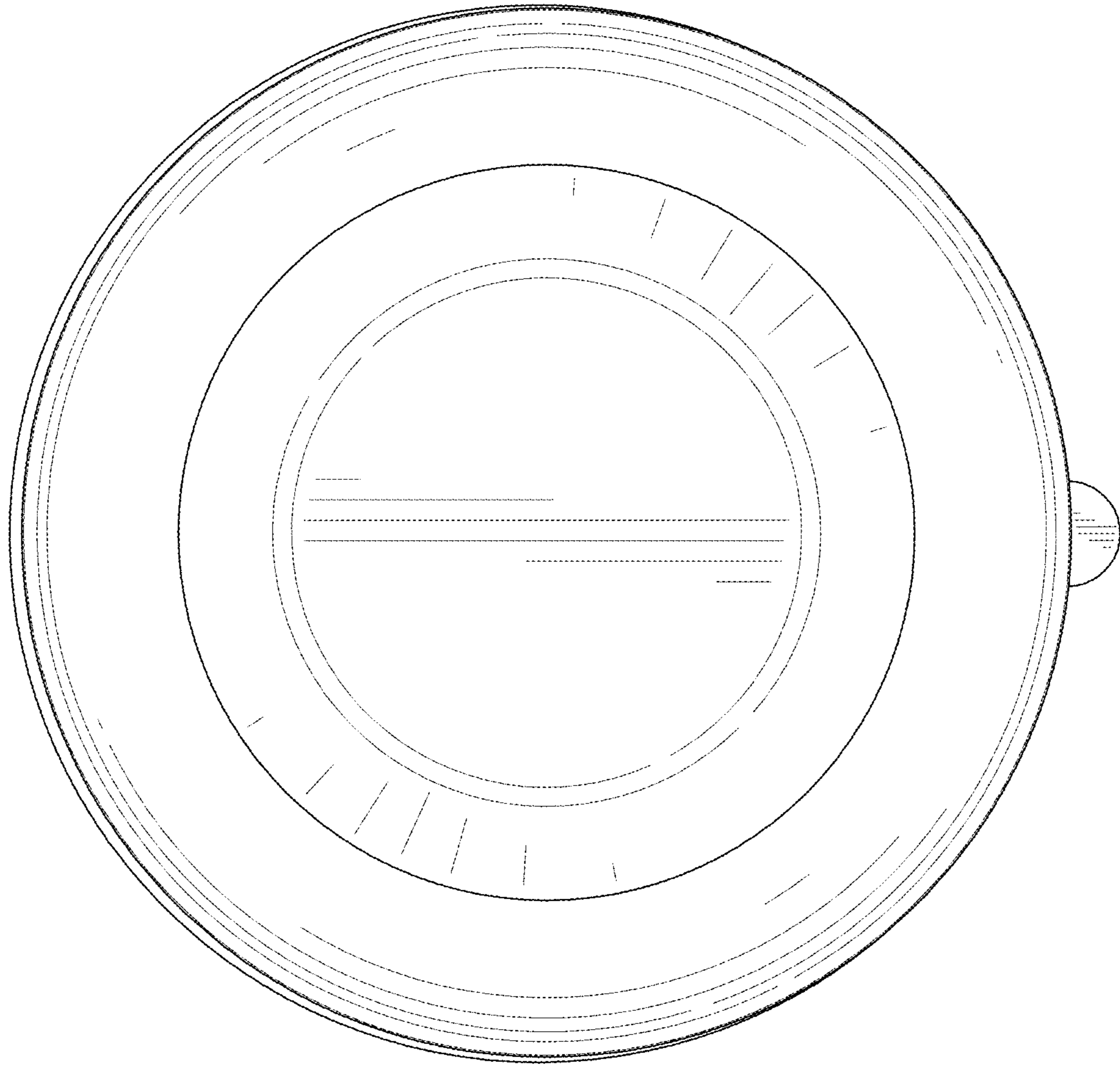


FIG. 8