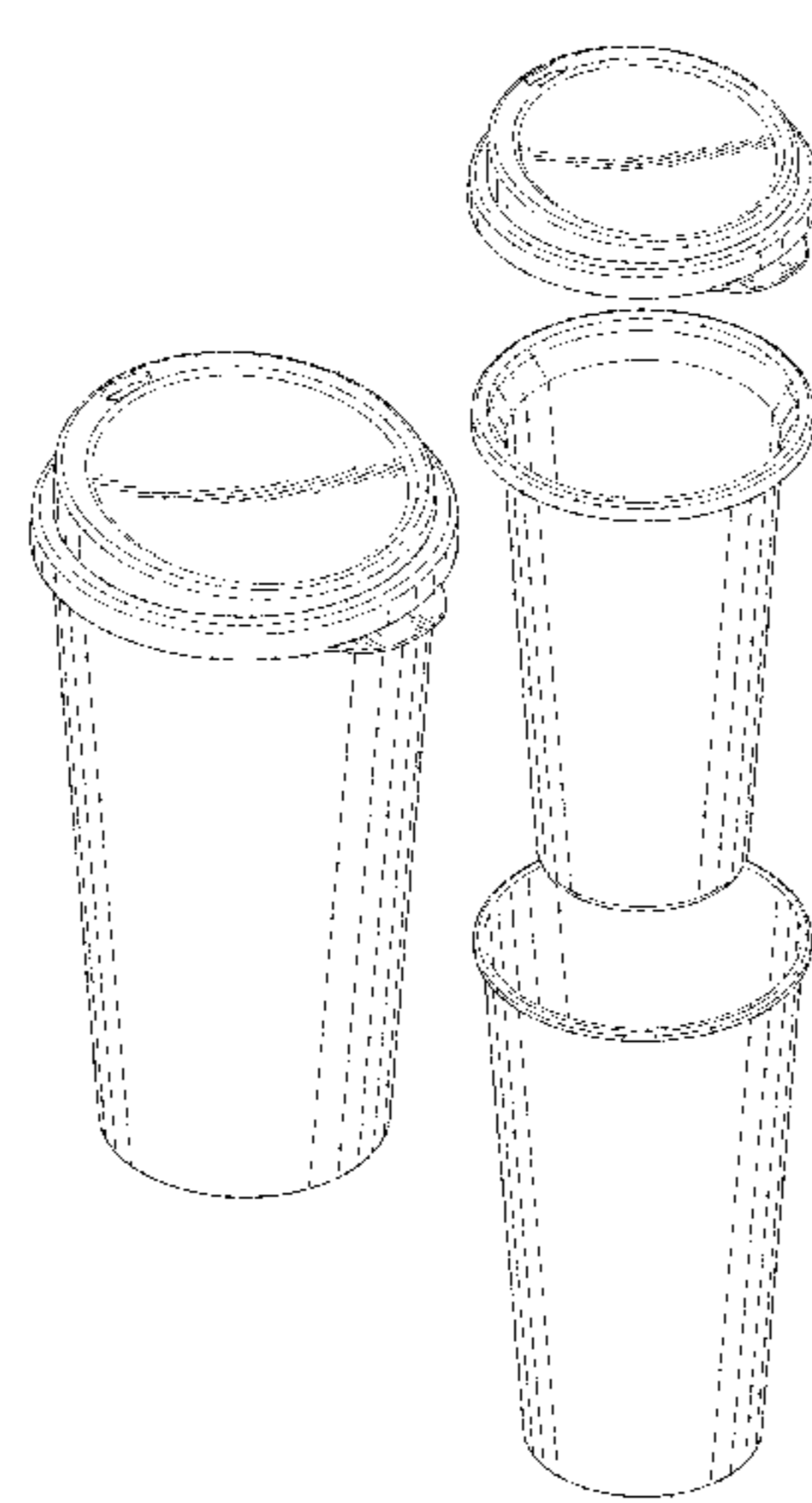




US00D911109S

(12) **United States Design Patent** (10) **Patent No.:** **US D911,109 S**
Johnson (45) **Date of Patent:** **** Feb. 23, 2021**

- (54) **DOUBLE WALL CUP WITH LID** 6,176,390 B1 * 1/2001 Kemp B65D 43/0212
220/711
- (71) Applicant: **CHURCHILL CONTAINER, LLC,** D437,223 S 2/2001 Coy et al.
Fenton, MO (US) D438,298 S * 2/2001 McNutt D23/366
D476,567 S * 7/2003 Weiss D9/438
- (72) Inventor: **Erik Christopher Johnson,** Shawnee, D476,891 S 7/2003 Clarke et al.
KS (US) D477,223 S 7/2003 Smith et al.
D478,006 S 8/2003 Smith et al.
D478,469 S 8/2003 Roth et al.
D485,758 S 1/2004 Clarke et al.
D489,260 S 5/2004 Smith et al.
D489,611 S 5/2004 Monsanty
D506,106 S 6/2005 Ordiway et al.
D507,155 S 7/2005 Gosen et al.
D516,424 S 3/2006 Schweigert et al.
D530,602 S 10/2006 Boller et al.
D535,151 S 1/2007 Seum et al.
D535,561 S 1/2007 Smith et al.
D536,249 S 2/2007 Smith et al.
7,185,781 B2 * 3/2007 Pitts B65D 43/0218
220/367.1
- (73) Assignee: **CHURCHILL CONTAINER, LLC,** D539,650 S 4/2007 Smith et al.
Fenton, MO (US) D540,167 S 4/2007 Smith et al.
D543,777 S * 6/2007 Seum D7/392.1
D550,508 S * 9/2007 Tien D7/510
- (**) Term: **15 Years** 7,264,132 B2 9/2007 Basara
D570,213 S 6/2008 Newman
D588,412 S * 3/2009 Brooks D7/510
D590,662 S * 4/2009 Cheng D7/509
D591,151 S 4/2009 Freeman
D591,595 S * 5/2009 Tedford, Jr. D9/447
D614,955 S * 5/2010 Cresswell D9/447
D622,545 S * 8/2010 Wahl D7/510
D628,894 S 12/2010 Pontes
D644,490 S 9/2011 Shah
D650,231 S * 12/2011 Gilbert D7/510
D654,762 S * 2/2012 Gilbert D7/510
8,122,626 B2 2/2012 Schnuckle
D657,670 S 4/2012 Folos et al.
D658,057 S * 4/2012 Donat D9/447
D658,059 S 4/2012 Bailey
D659,474 S * 5/2012 Wahl D7/510
D664,001 S * 7/2012 Liu D7/510
D667,269 S * 9/2012 Pallotto D7/510
D675,063 S * 1/2013 Wahl D7/510
D686,074 S * 7/2013 Brinckerhoff D9/447
D698,496 S * 1/2014 Smith D28/76
D701,425 S * 3/2014 Pearson D7/510
D716,141 S 10/2014 Rush
D727,681 S * 4/2015 Osgood D7/392.1
9,145,243 B2 9/2015 Kim et al.
D744,279 S * 12/2015 Arciero D7/510
D752,436 S 3/2016 Crudgington
- (21) Appl. No.: **29/672,253**
- (22) Filed: **Dec. 4, 2018**
- (51) **LOC (13) Cl.** **07-01**
- (52) **U.S. Cl.**
USPC **D7/507; D7/510; D7/511**
- (58) **Field of Classification Search**
USPC D7/507, 509, 510, 511, 529, 531, 532,
D7/523, 533, 534, 535, 536, 392.1, 296.1,
D7/396.2, 300.1, 608; D3/202; D26/9
CPC A47G 19/22; A47G 19/2288; A47G
19/2205; A47J 41/0077; A47J 41/0088
See application file for complete search history.
- (56) **References Cited**
U.S. PATENT DOCUMENTS
D212,843 S 12/1968 Hart et al.
RE28,797 E 5/1976 Brewer
4,441,624 A * 4/1984 Sokolowski B65D 47/2018
220/254.1
4,589,569 A 5/1986 Clements
D287,919 S 1/1987 Clements
4,928,848 A 5/1990 Ballway
D322,940 S 1/1992 Rivera
D359,451 S 6/1995 Dees
D370,156 S * 5/1996 Feltman, III D7/511
D373,704 S 9/1996 Doxey
D373,927 S * 9/1996 Kramer D7/391
D386,683 S 11/1997 Wong
D402,556 S 12/1998 Frye
D417,149 S 11/1999 Fletcher et al.
D417,845 S * 12/1999 Sadlier D7/511



US D911,109 S

Page 2

D760,542 S *	7/2016	Vu	D7/511	CN	102038406 A	5/2011
D761,649 S	7/2016	Buck		CN	102188141 A	9/2011
D788,530 S *	6/2017	Kestenbaum	D7/523	CN	202069343 U	12/2011
D790,921 S *	7/2017	Lapsker	D7/510	CN	102349773 A	2/2012
9,930,982 B2	4/2018	Matsui		CN	202186573 U	4/2012
D826,641 S *	8/2018	Nickley	D7/510	CN	202312531 U	7/2012
D827,380 S *	9/2018	Tapocik	D7/536	CN	202386384 U	8/2012
D859,920 S *	9/2019	Barber	D7/511	CN	202515244 U	11/2012
D873,610 S *	1/2020	Stanton	D7/510	CN	202619170 U	12/2012
D883,026 S *	5/2020	Fleischhut	D7/392.1	CN	201393845 Y	2/2013
D885,138 S *	5/2020	Braidotti	D7/536	CN	202858666 U	4/2013
D885,838 S *	6/2020	Tobias	D7/510	CN	103126440 A	6/2013
2003/0178426 A1 *	9/2003	Freek	B65D 47/0833	CN	203168713 U	9/2013
			220/254.3	CN	103371686 A	10/2013
2004/0195239 A1 *	10/2004	Rush	B65D 43/0256	CN	203381413 U	1/2014
			220/254.3	CN	103549845 A	2/2014
2005/0173434 A1	8/2005	O'Neal		CN	103640764 A	3/2014
2006/0071008 A1 *	4/2006	Sadlier	B65D 47/06	CN	104000451 A	8/2014
			220/713	CN	203865135 U	10/2014
2006/0180028 A1	8/2006	Burchard		CN	203934968 U	11/2014
2006/0243734 A1 *	11/2006	Tedford, Jr.	B65D 47/06	CN	204015840 U	12/2014
			220/780	CN	204158141 U	2/2015
2007/0023442 A1 *	2/2007	Auzenne	B65D 39/0005	CN	204245809 U	4/2015
			220/801	CN	204245813 U	4/2015
2007/0169506 A1 *	7/2007	Heuschober	F25D 3/08	CN	204306537 U	5/2015
			62/457.3	CN	104706156 A	6/2015
2008/0011762 A1	1/2008	Boone		CN	204670849 U	9/2015
2009/0283526 A1 *	11/2009	Pierce	A47G 19/22	CN	103705070 B	11/2015
			220/254.7	CN	105167493 A	12/2015
2010/0073960 A1	3/2010	Yang		CN	105433705 A	3/2016
2010/0108693 A1	5/2010	Zhang et al.		CN	205053602 U	3/2016
2010/0227027 A1	9/2010	Ford et al.		CN	102805527 B	4/2016
2012/0125931 A1 *	5/2012	Roth	B65D 47/0895	CN	205125802 U	4/2016
			220/254.3	CN	205267716 U	6/2016
2013/0037558 A1 *	2/2013	Selina	B65D 21/0219	CN	104172838 B	8/2016
			220/715	CN	104970645 B	8/2016
2013/0284739 A1	10/2013	Lackey et al.		CN	106073381 A	11/2016
2014/0263368 A1	9/2014	Booska		CN	205963666 U	2/2017
2015/0344178 A1	12/2015	Szymanski et al.		CN	106562643 A	4/2017
2015/0360816 A1	12/2015	Chen		CN	105029992 B	6/2017
2017/0253392 A1 *	9/2017	Bann	B65D 51/18	CN	106798457 A	6/2017
2018/0014674 A1	1/2018	Pan		CN	206365695 U	8/2017
2018/0082617 A1	3/2018	Contreras		CN	107348787 A	11/2017
2018/0194520 A1 *	7/2018	Lovern	A01N 25/34	CN	206612506 U	11/2017
				EP	107752654 A	3/2018
					2502850 B1	2/2017
				FR	2818111 B	3/2003
				KR	101237416 B	2/2013
				KR	300334240 S	11/2013
				KR	101741646 B	5/2017
				TW	M267956 U	6/2005
				TW	M272472 U	8/2005
				TW	M273282 U	8/2005
				TW	M297307 U	9/2006
				TW	M342817 U	10/2008
				TW	M360640 U	7/2009
				TW	M443475 U	12/2012
				TW	M443476 U	12/2012
				TW	M523379 U	6/2016

FOREIGN PATENT DOCUMENTS

CA	2810342 A1	9/2013
CN	2129111 Y	4/1993
CN	1314241 A	9/2001
CN	2455154 Y	10/2001
CN	2486058 Y	4/2002
CN	2704286 Y	6/2005
CN	2704548 Y	6/2005
CN	2740083 Y	11/2005
CN	2817640 Y	9/2006
CN	2834348 Y	11/2006
CN	2840769 Y	11/2006
CN	2845609 Y	12/2006
CN	2875229 Y	3/2007
CN	2885047 Y	4/2007
CN	2927878 Y	8/2007
CN	201036467 Y	3/2008
CN	201055207 Y	5/2008
CN	201082080 Y	7/2008
CN	201205060 Y	3/2009
CN	201267369 Y	7/2009
CN	201365781 Y	12/2009
CN	201375332 Y	1/2010
CN	201452600 U	5/2010
CN	201542258 U	8/2010
CN	201542295 U	8/2010
CN	201564136 U	9/2010
CN	201759251 U	3/2011
CN	201759252 U	3/2011
CN	201759253 U	3/2011
CN	201782466 U	4/2011
CN	201790609 U	4/2011

OTHER PUBLICATIONS

https://www.amazon.com/UDMG-Reusable-Double-Insulated-Ceramic/dp/B071X6QJN9/ref=redir_mobile_desktop?ie=UTF8&aaxitk=bQOPH6APXRzJ6MZP8owLZQ&hsa_cr_id=1390554180801&ref_=sbx_be_s_sparkle_mcd_asin_2 (Year: 2017).*

* cited by examiner

Primary Examiner — Jae Liang
(74) *Attorney, Agent, or Firm* — Stinson LLP

(57) CLAIM

The ornamental design for a double wall cup with lid, as shown and described.

DESCRIPTION

FIG. 1 is a perspective view of a double wall cup with lid;
FIG. 2 is a front elevational view of the double wall cup with lid of FIG. 1 with the rear elevational view being a mirror image thereof;

FIG. 3 is a top plan view of the double wall cup with lid of FIG. 1;

FIG. 4 is a bottom plan view of the double wall cup with lid of FIG. 1;

FIG. 5 is a left side elevational view of the double wall cup with lid of FIG. 1;

FIG. 6 is a right side elevational view of the double wall cup with lid of FIG. 1;

FIG. 7 is an exploded perspective view of the double wall cup with lid of FIG. 1 showing an outer cup, an inner cup and a lid;

FIG. 8 is a partially exploded perspective view of the double wall cup with lid of FIG. 1 showing the inner cup nested within the outer cup;

FIG. 9 is a perspective view of the outer cup of the double wall cup with lid of FIG. 1;

FIG. 10 is a front elevational view of the outer cup of the double wall cup with lid of FIG. 1 with the left side, right side, and rear elevational views being identical to the front elevational view of the outer cup;

FIG. 11 is a top plan view of the outer cup of the double wall cup with lid of FIG. 1;

FIG. 12 is a bottom plan view of the outer cup of the double wall cup with lid of FIG. 1;

FIG. 13 is a perspective view of the inner cup of the double wall cup with lid of FIG. 1;

FIG. 14 is a front elevational view of the inner cup of the double wall cup with lid of FIG. 1 with the left side, right side, and rear elevational views being identical to the front elevational view of the inner cup;

FIG. 15 is a top plan view of the inner cup of the double wall cup with lid of FIG. 1;

FIG. 16 is a bottom plan view of the inner cup of the double wall cup with lid of FIG. 1;

FIG. 17 is a perspective view of the lid of the double wall cup with lid of FIG. 1;

FIG. 18 is a front elevational view of the lid of the double wall cup with lid of FIG. 1 with the rear elevational view being a mirror image thereof;

FIG. 19 is a left side elevational view of the lid of the double wall cup with lid of FIG. 1;

FIG. 20 is a right side elevational view of the lid of the double wall cup with lid of FIG. 1;

FIG. 21 is a top plan view of the lid of the double wall cup with lid of FIG. 1; and,

FIG. 22 is a bottom plan view of the lid of the double wall cup with lid of FIG. 1.

The dashed lines in the figures illustrate portions of the design that form no part of the claimed design.

1 Claim, 11 Drawing Sheets

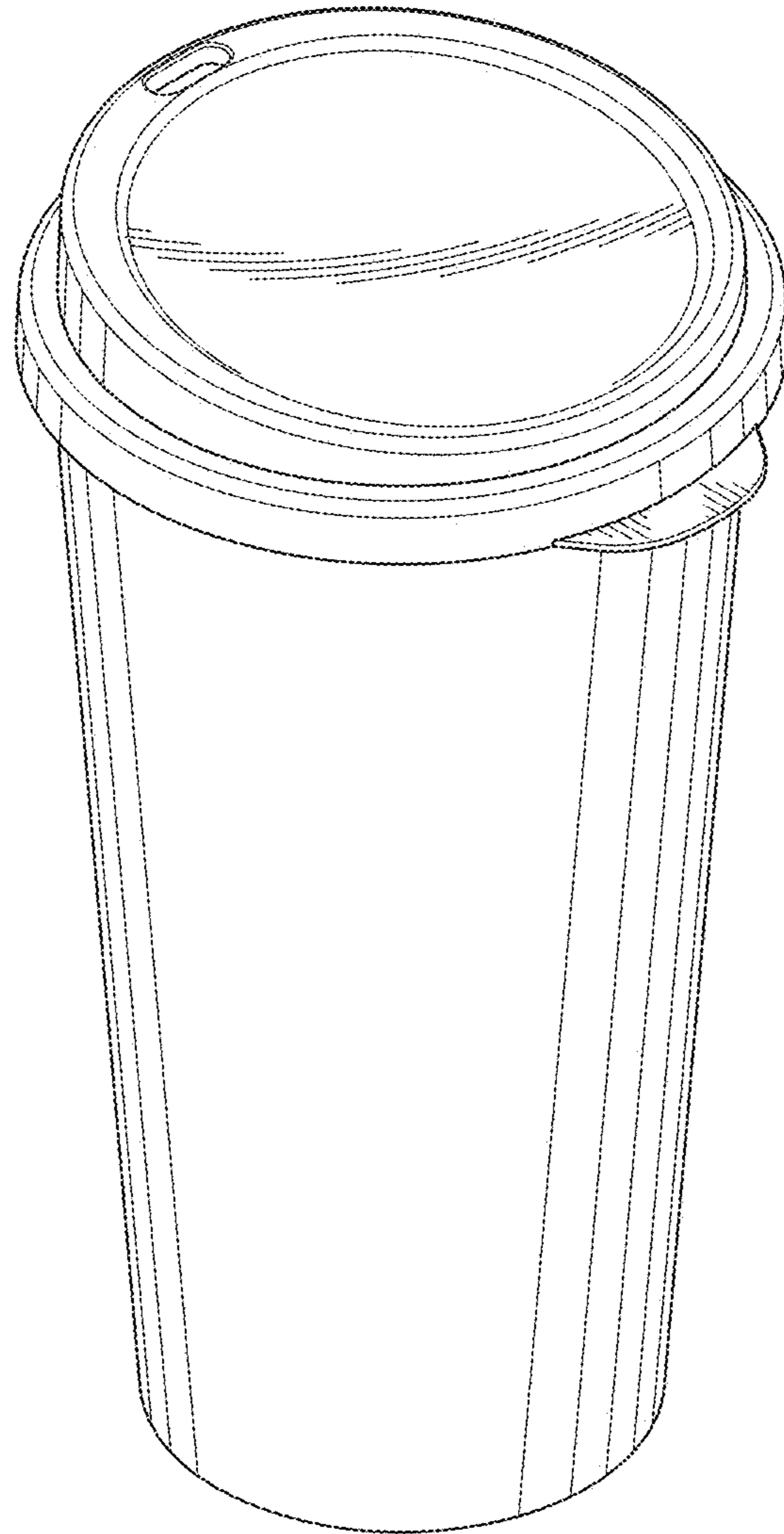


FIG. 1

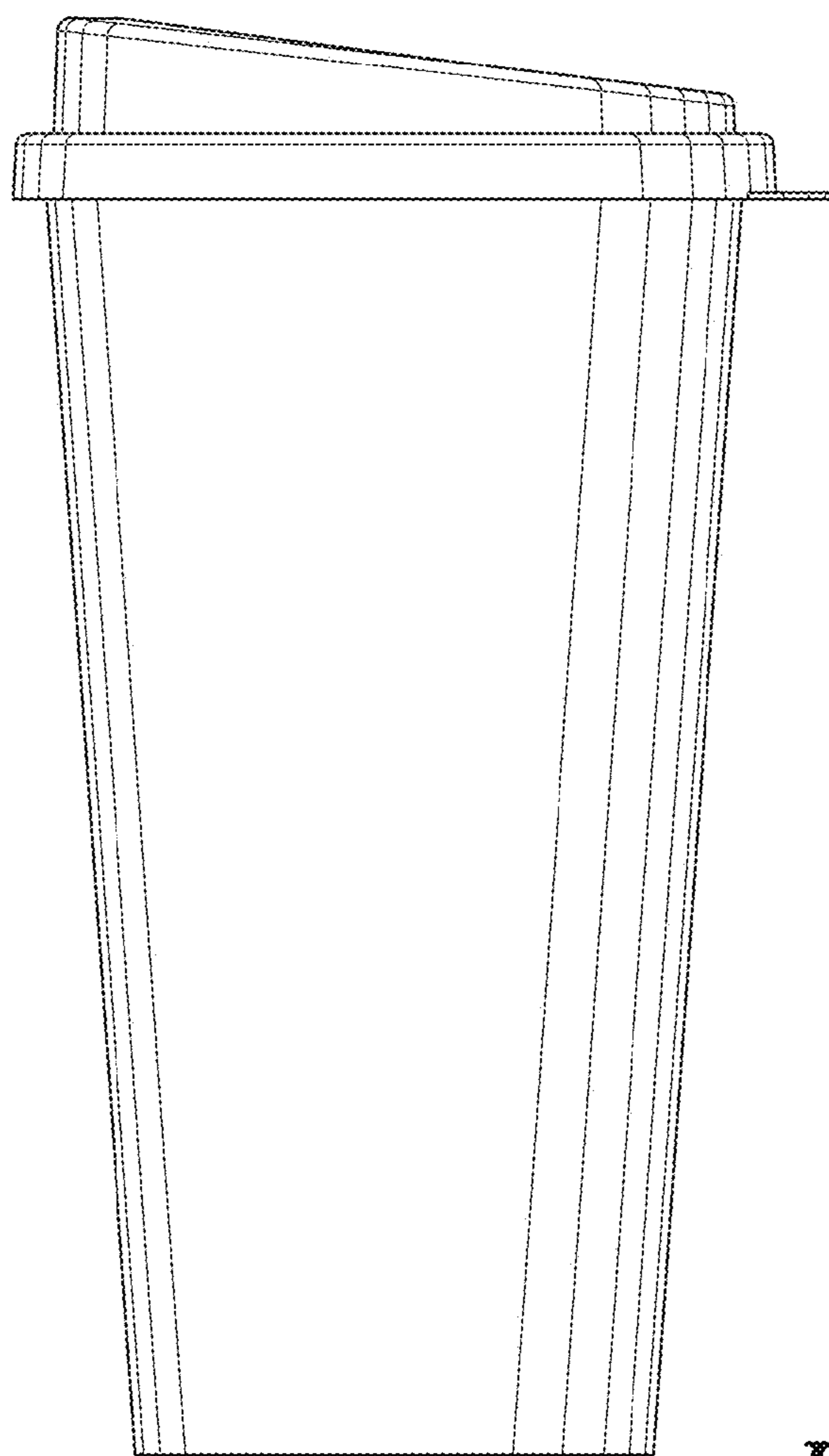


FIG. 2

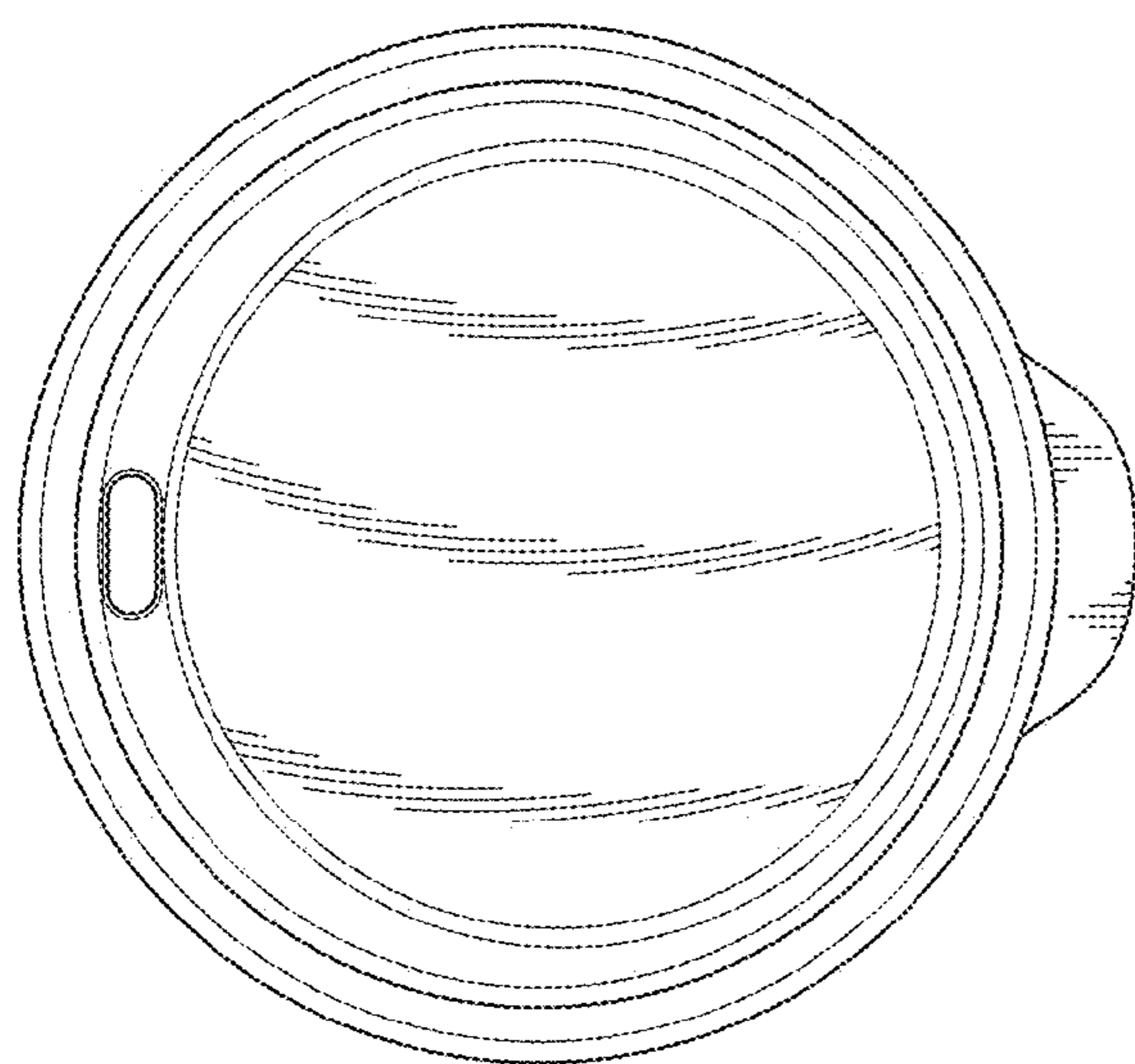


FIG. 3

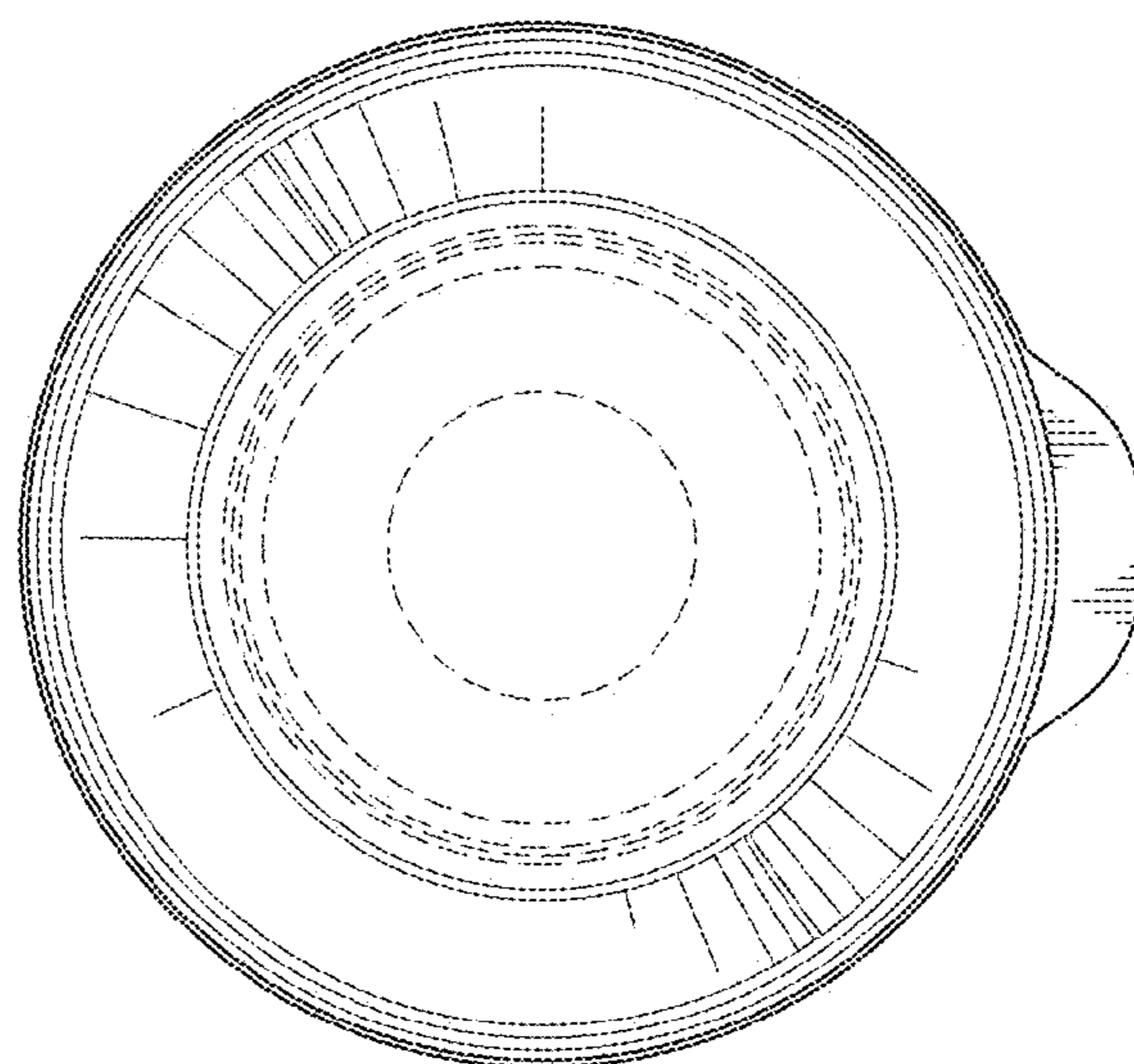


FIG. 4

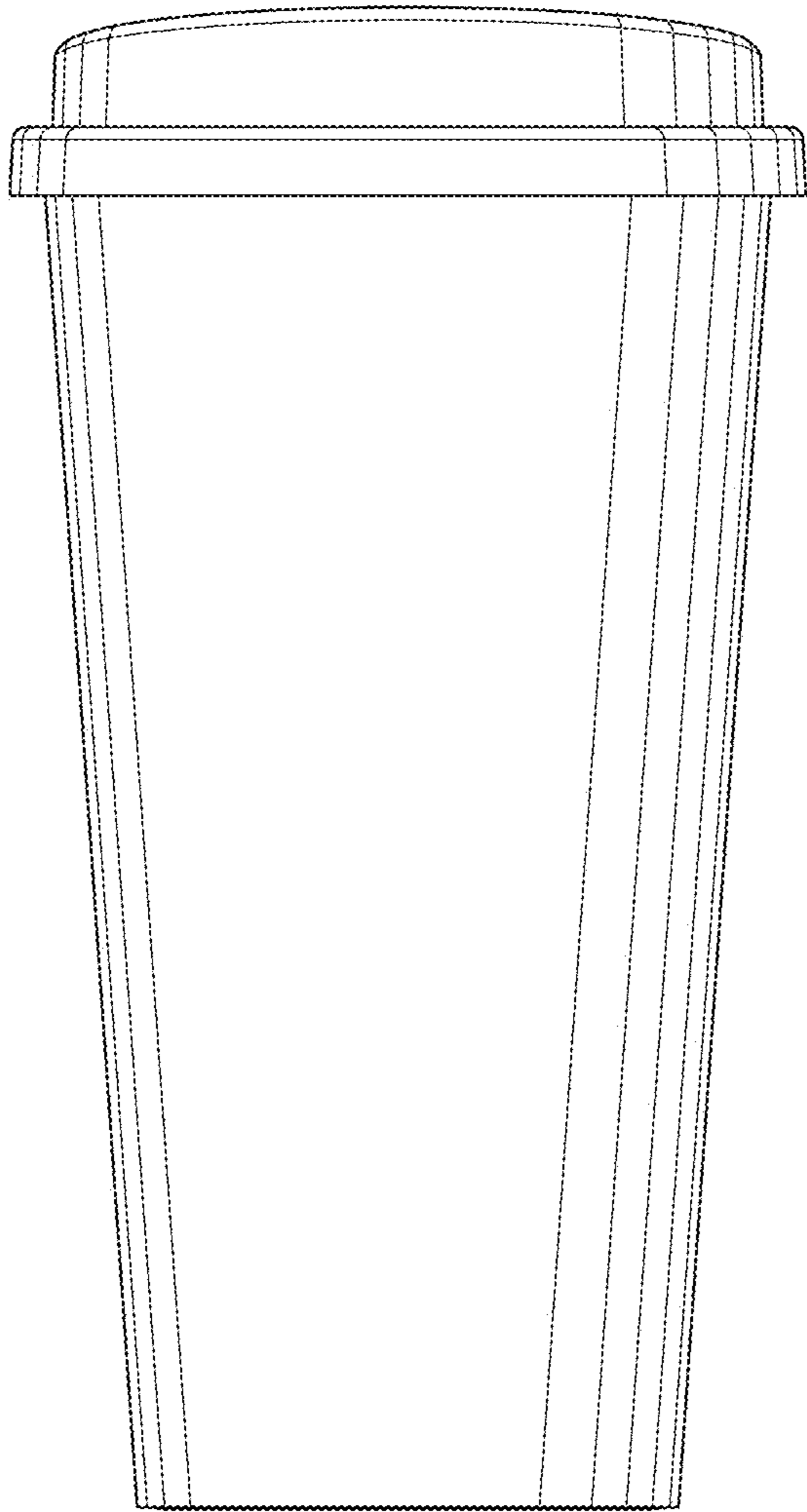


FIG. 5

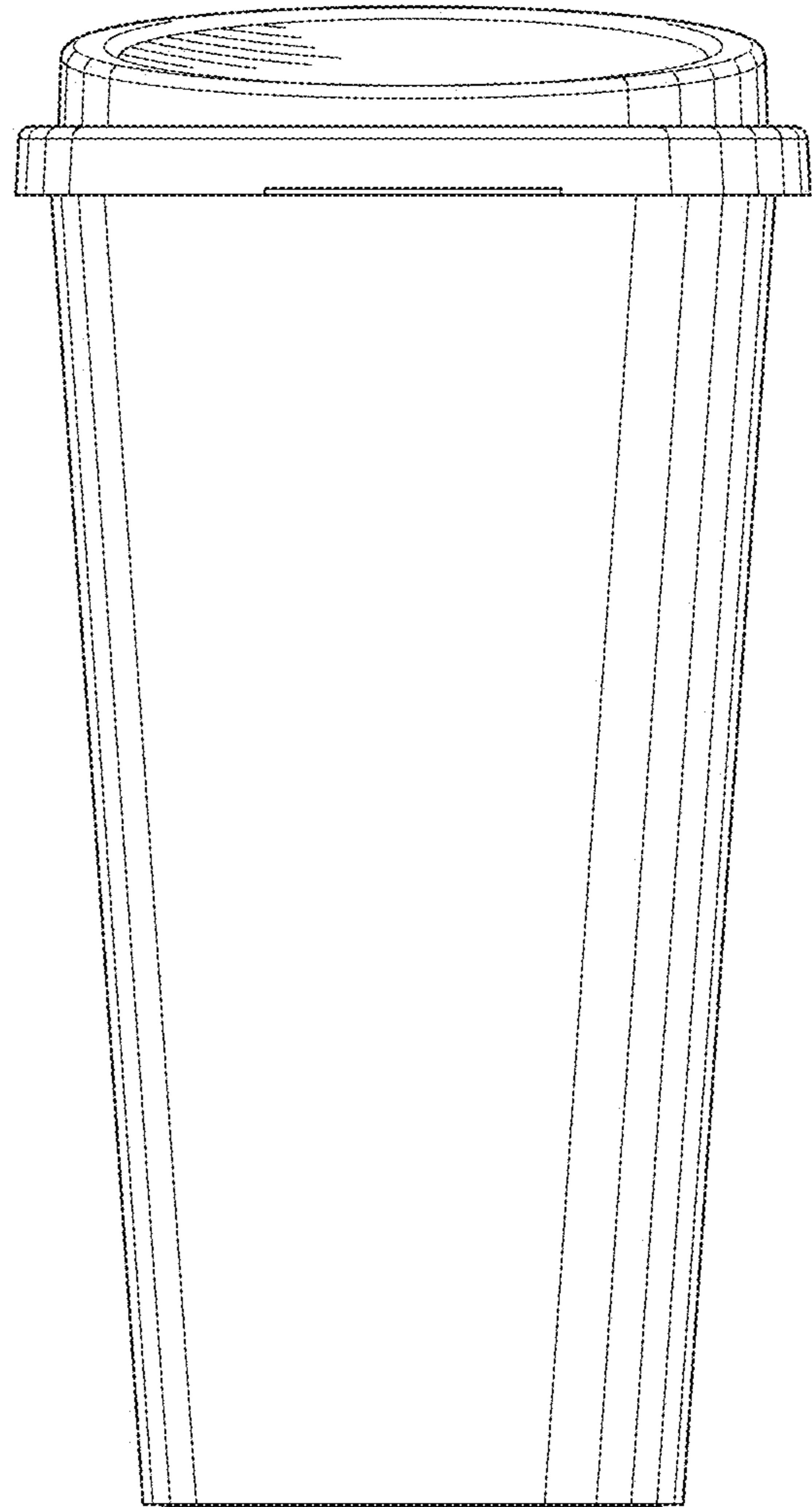


FIG. 6

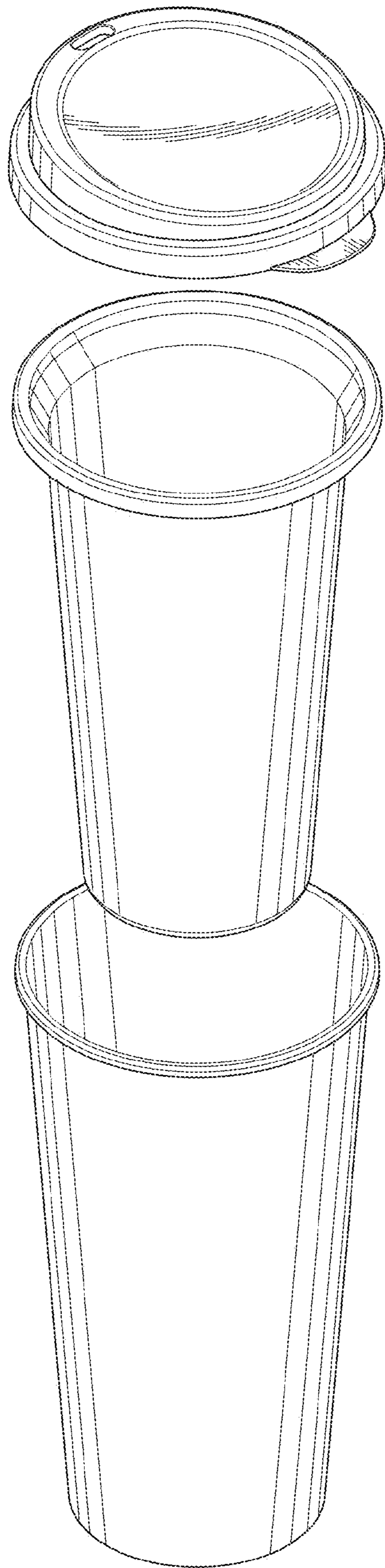


FIG. 7

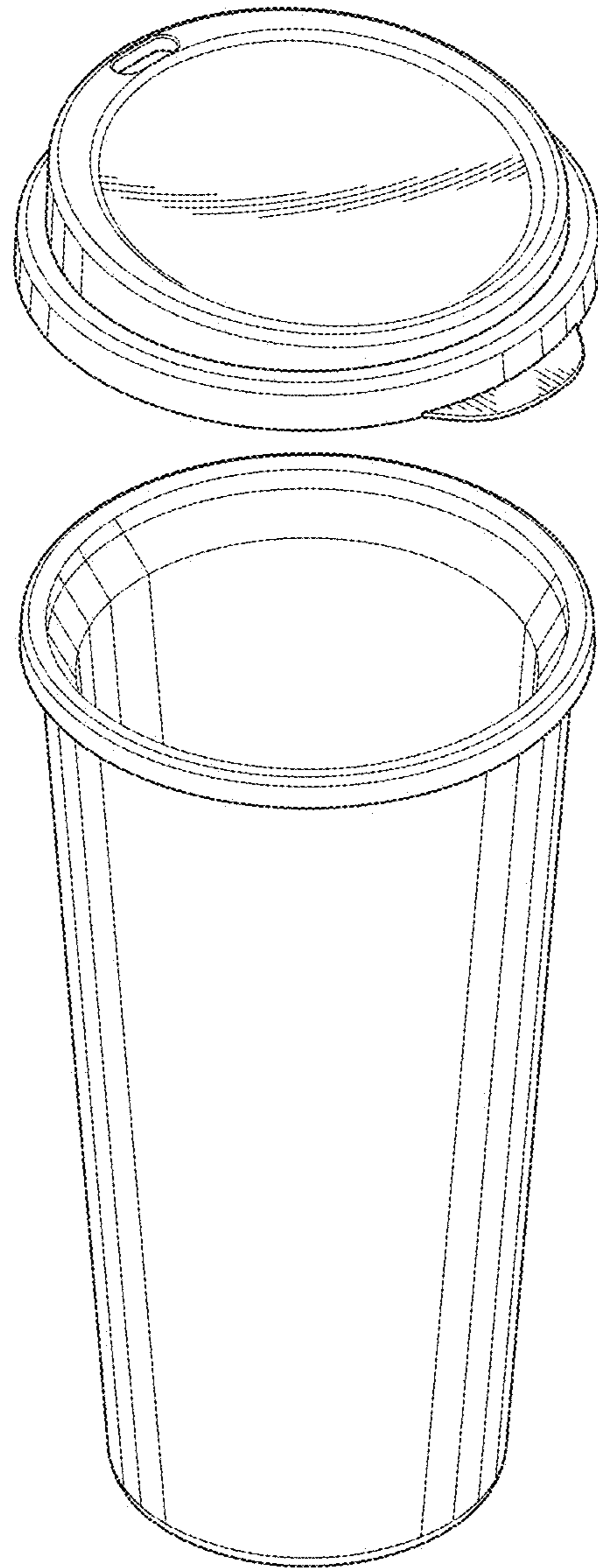


FIG. 8

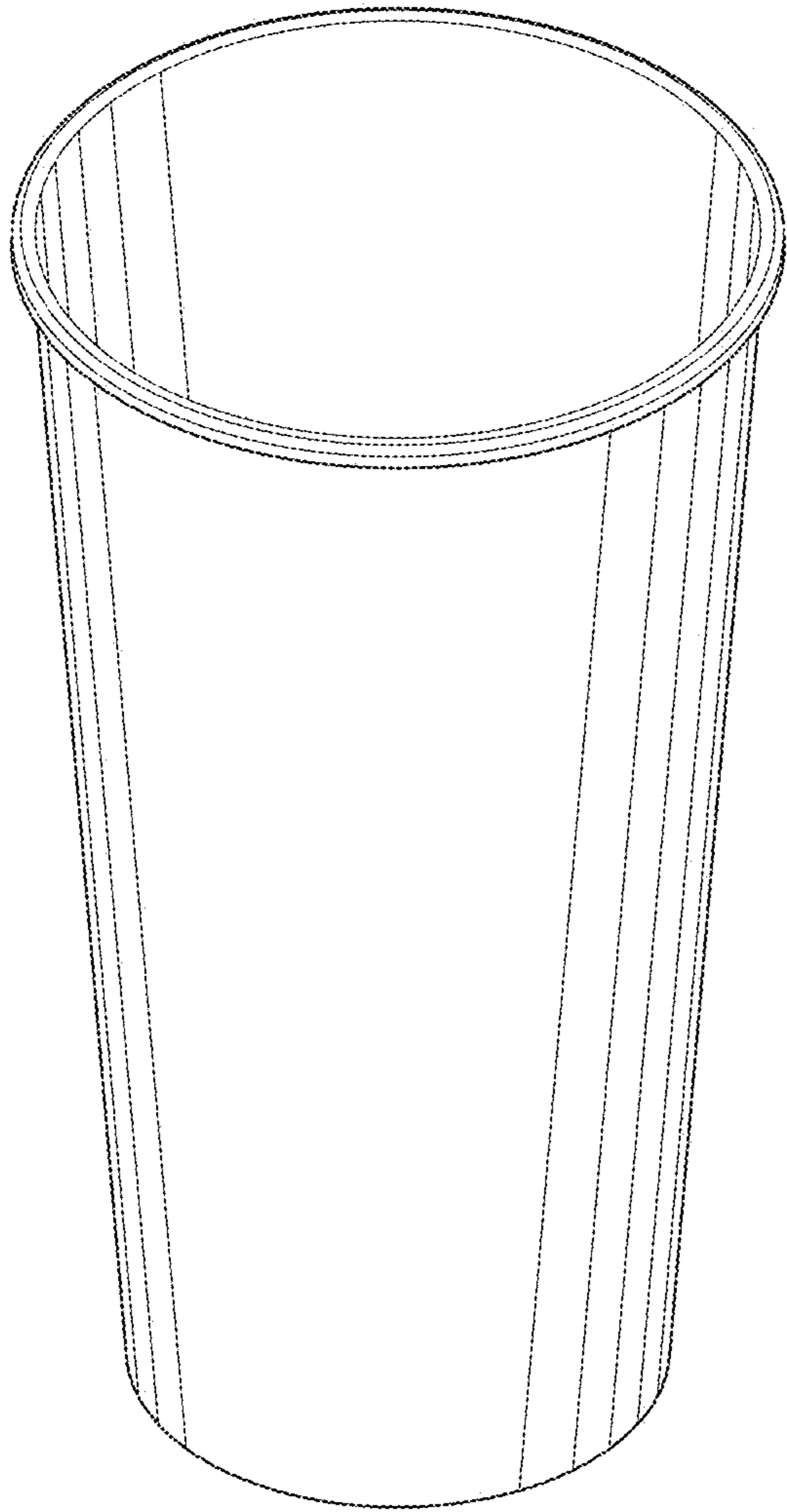


FIG. 9

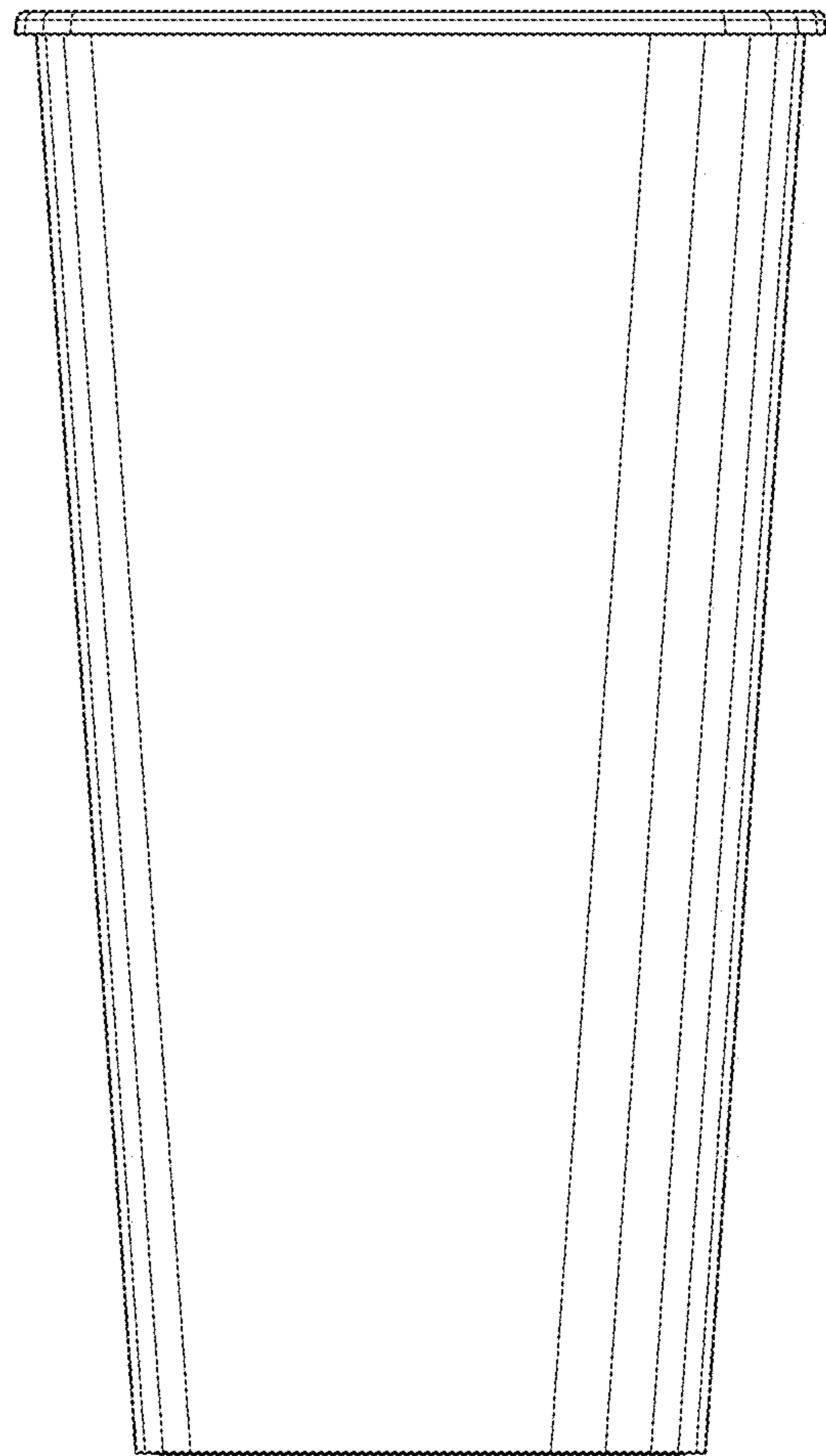


FIG. 10

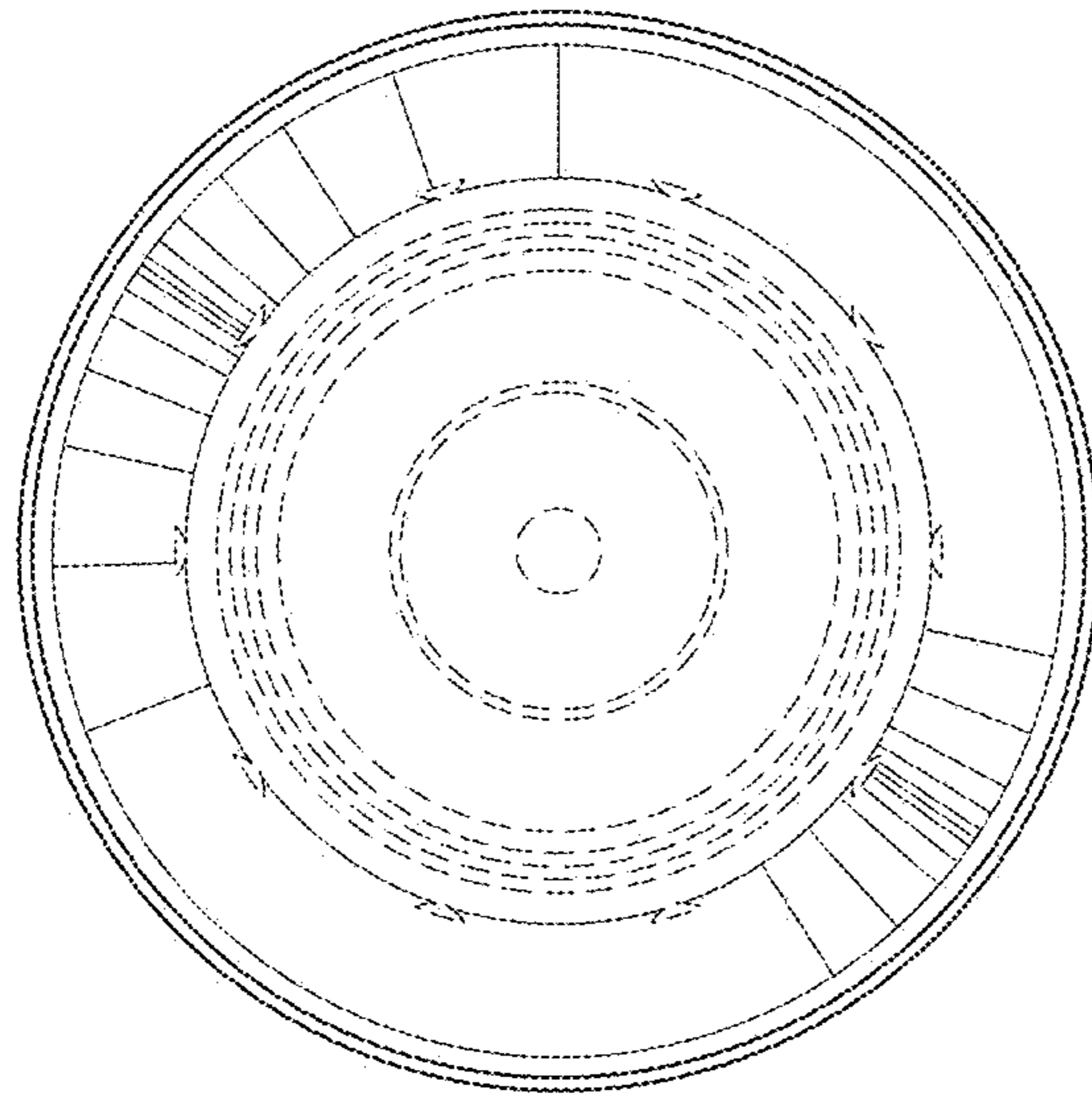


FIG. 11

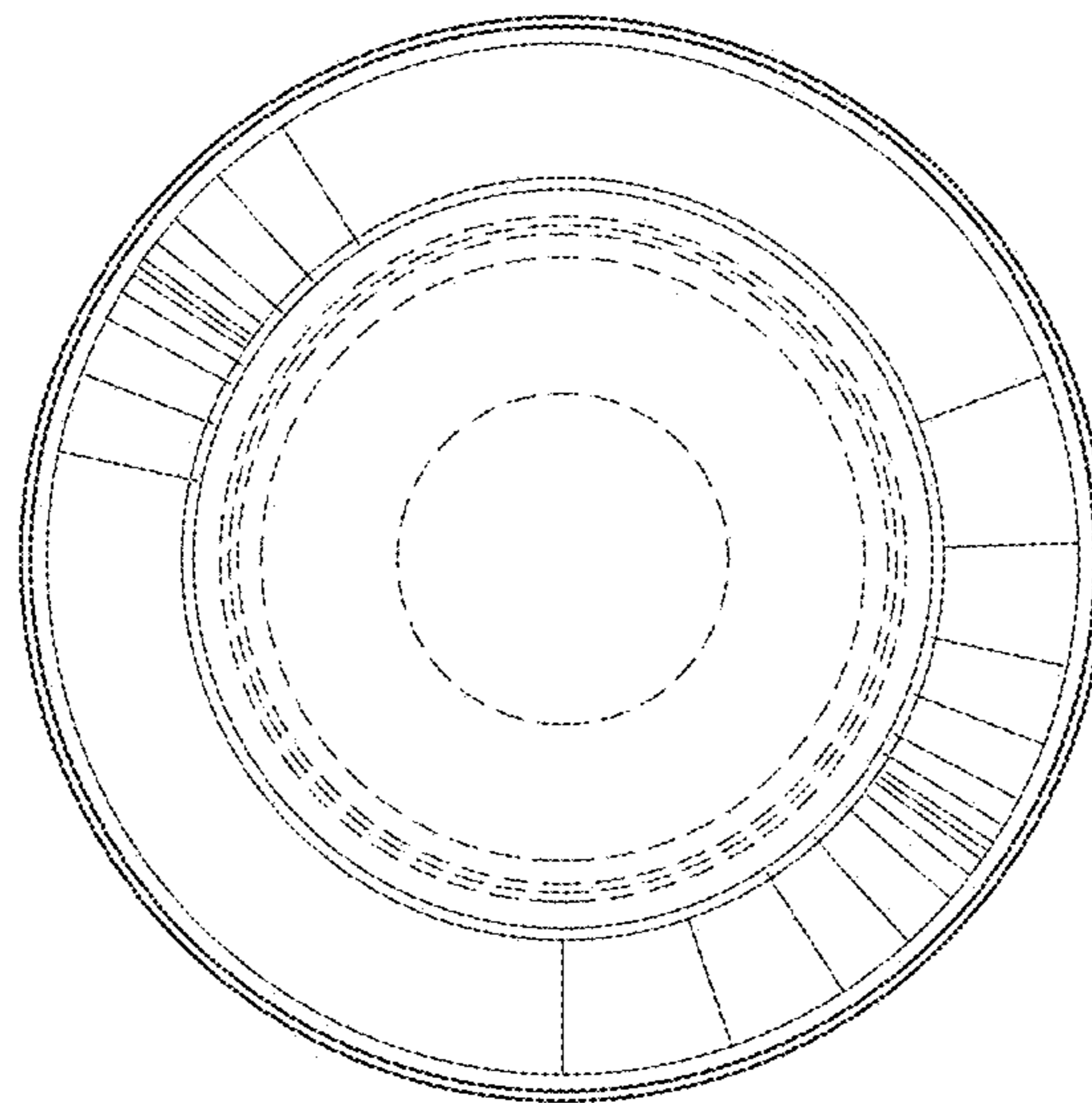


FIG. 12

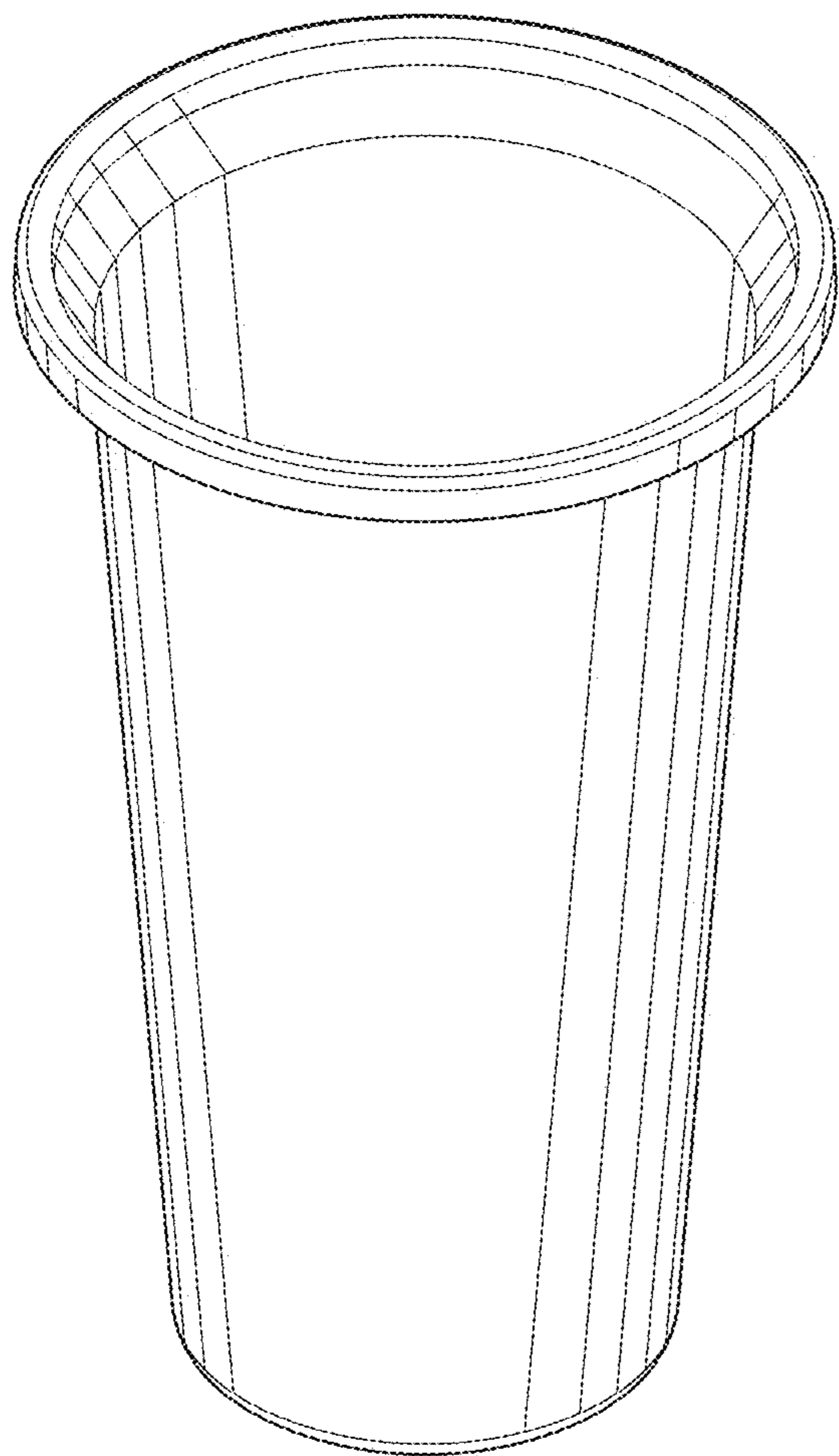


FIG. 13

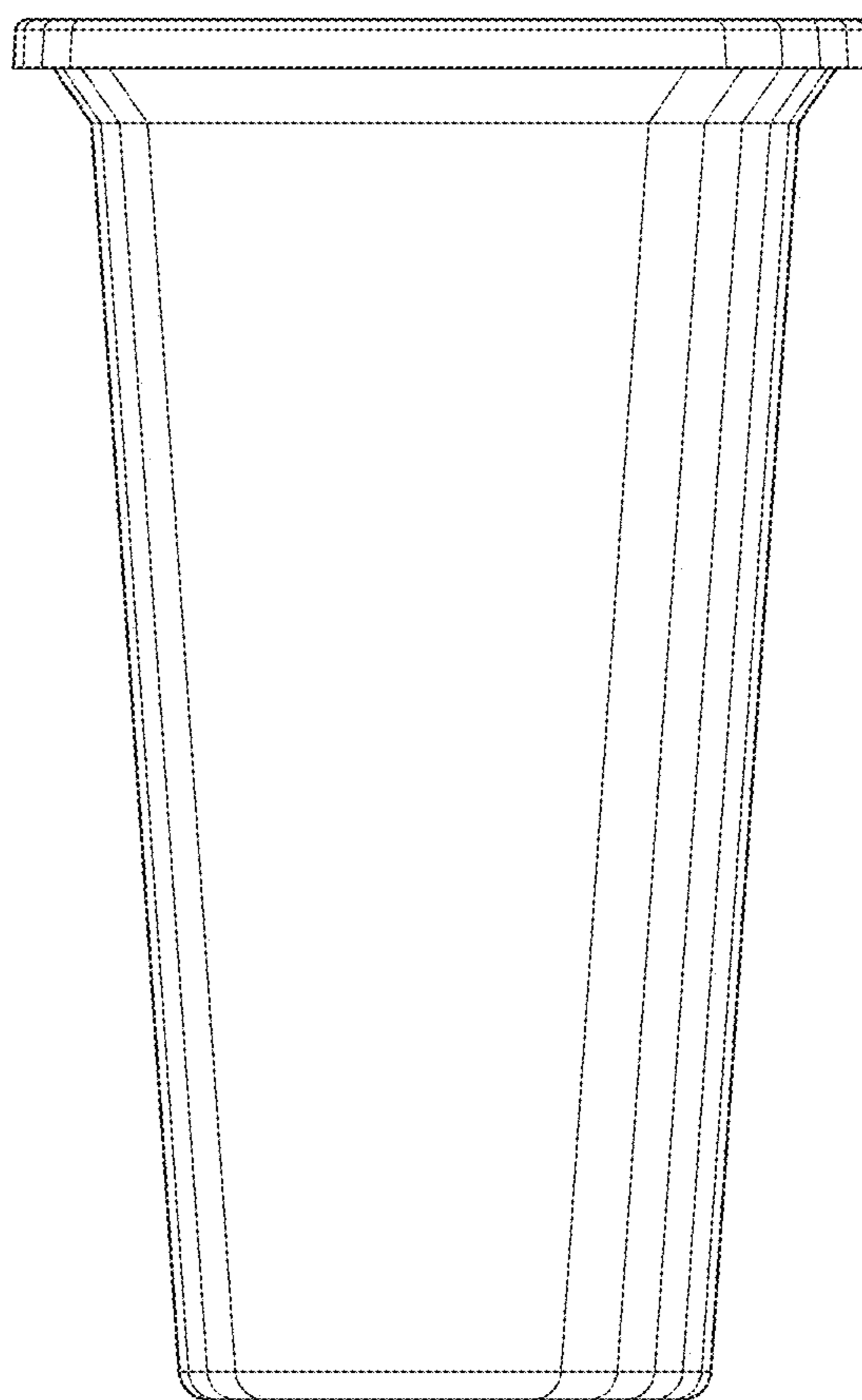


FIG. 14

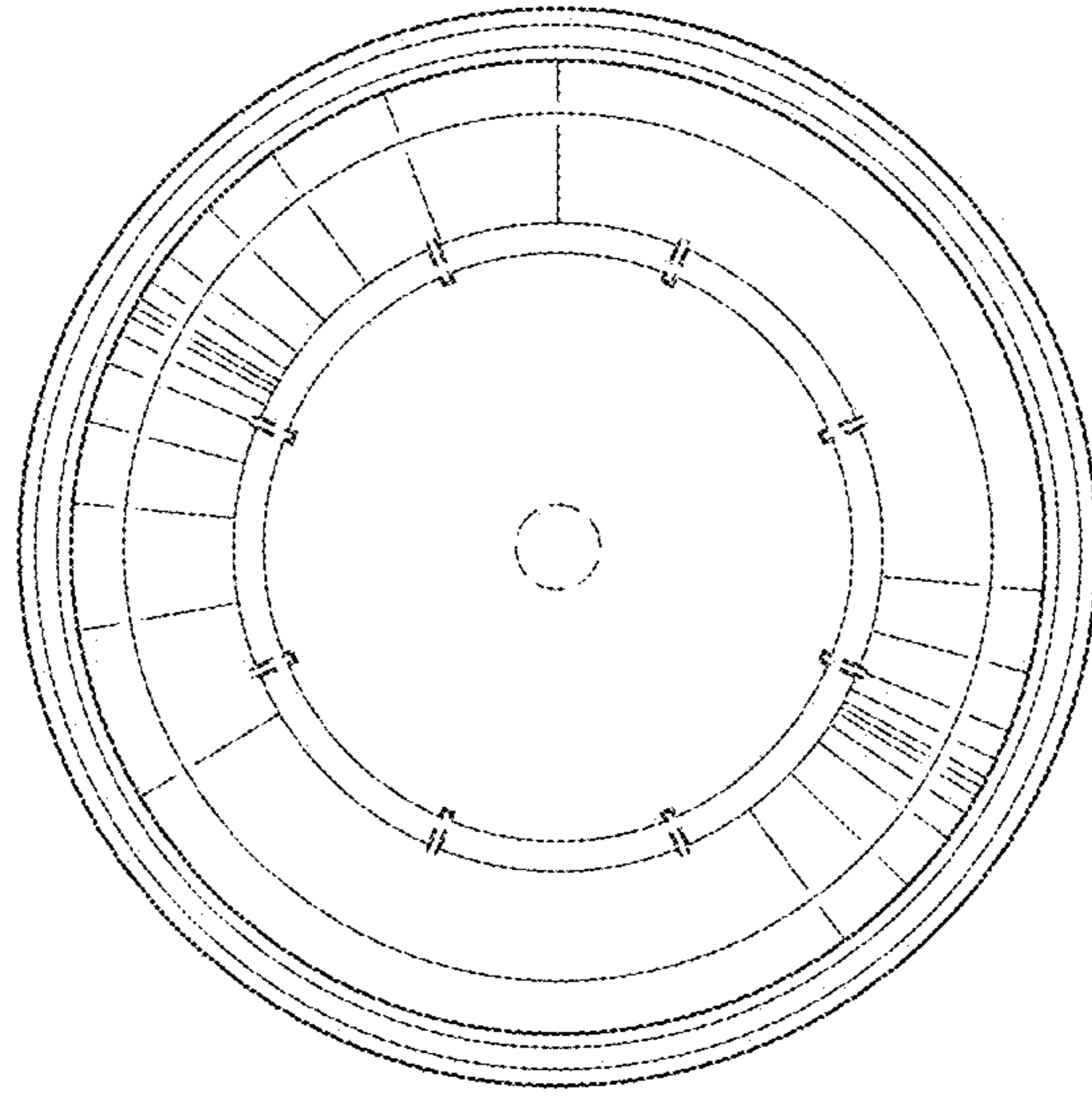


FIG. 15

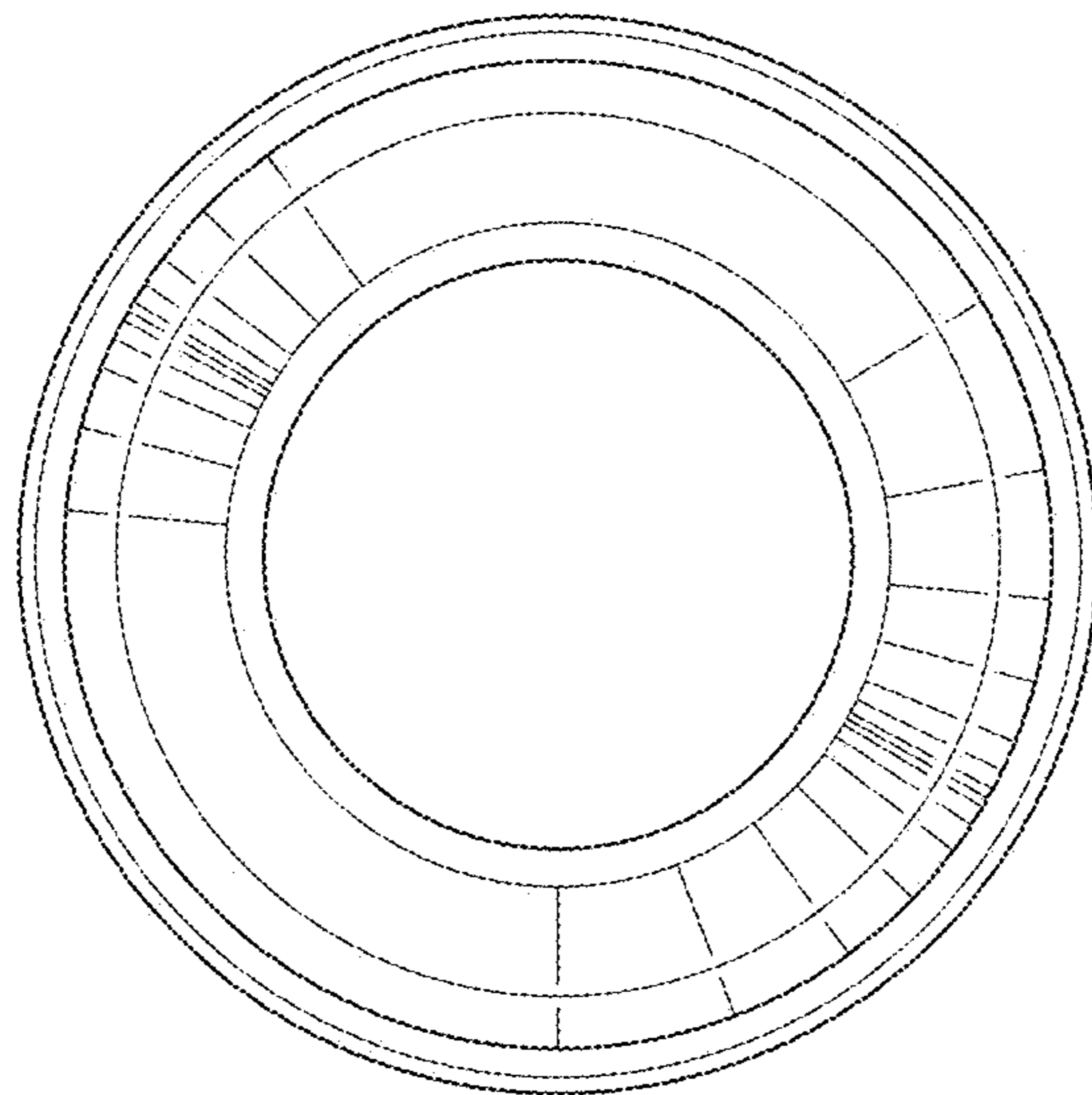


FIG. 16

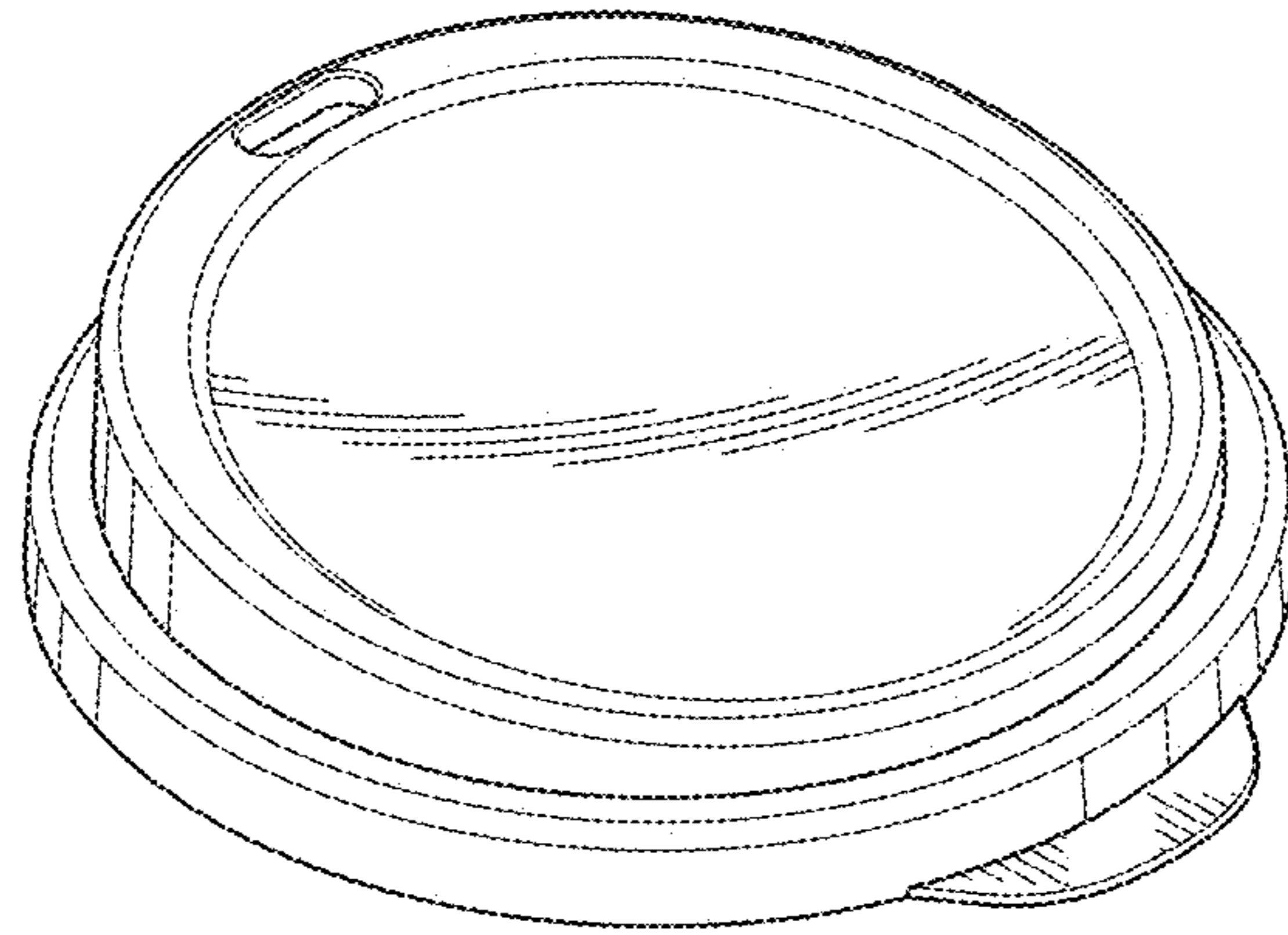


FIG. 17



FIG. 18

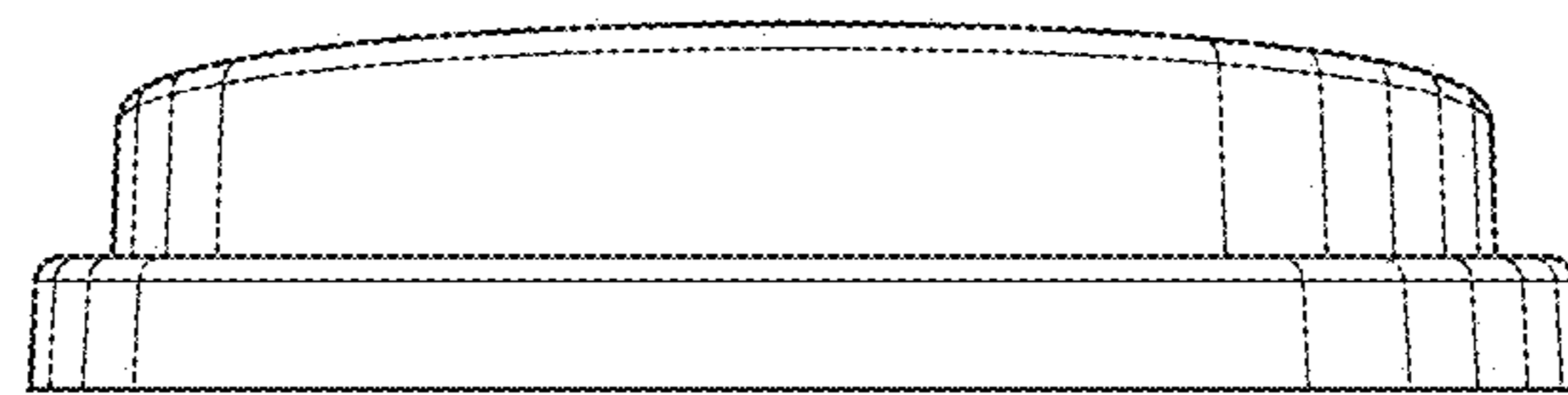


FIG. 19

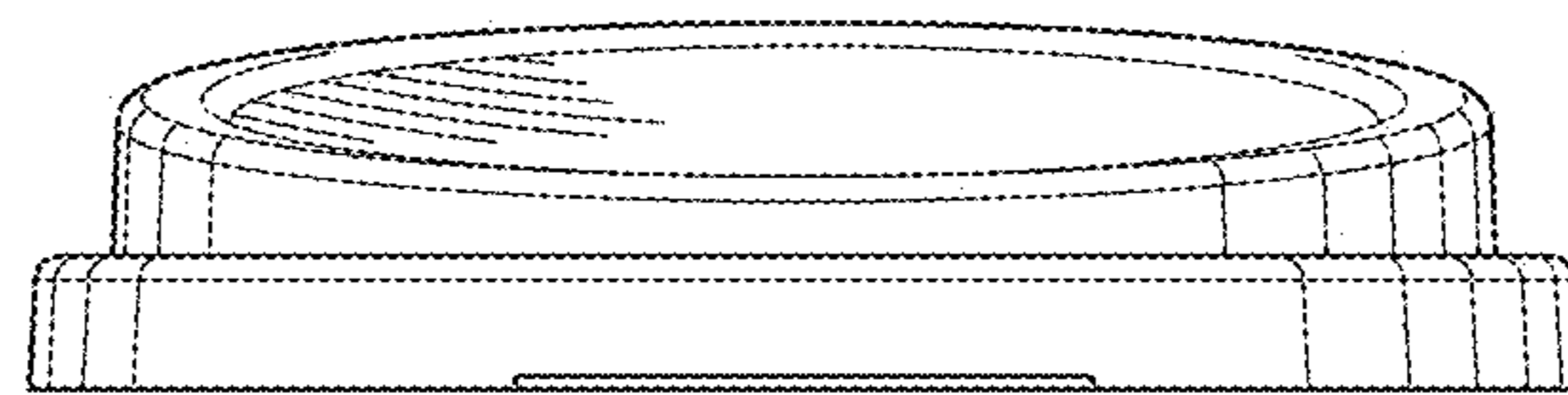


FIG. 20

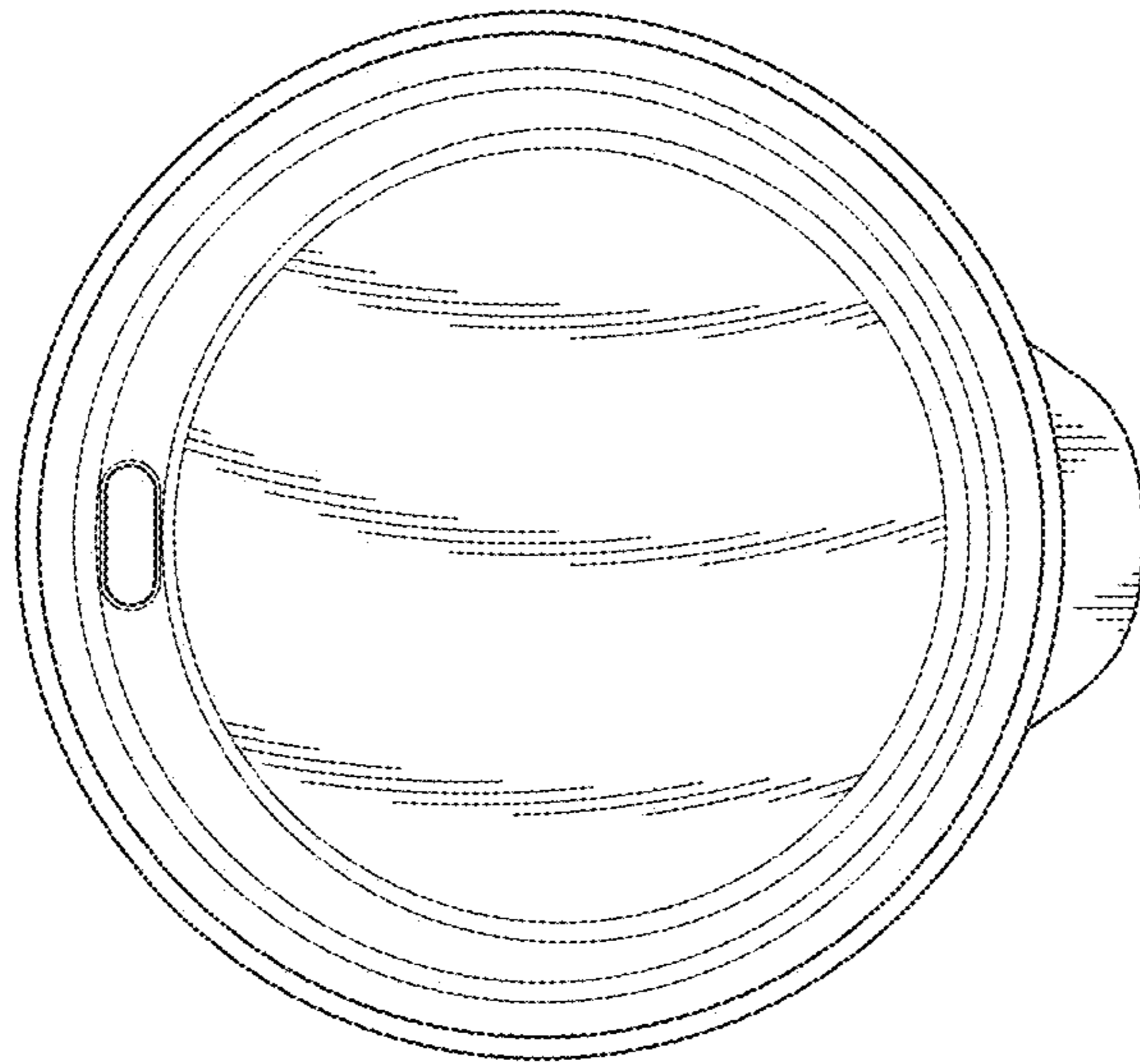


FIG. 21

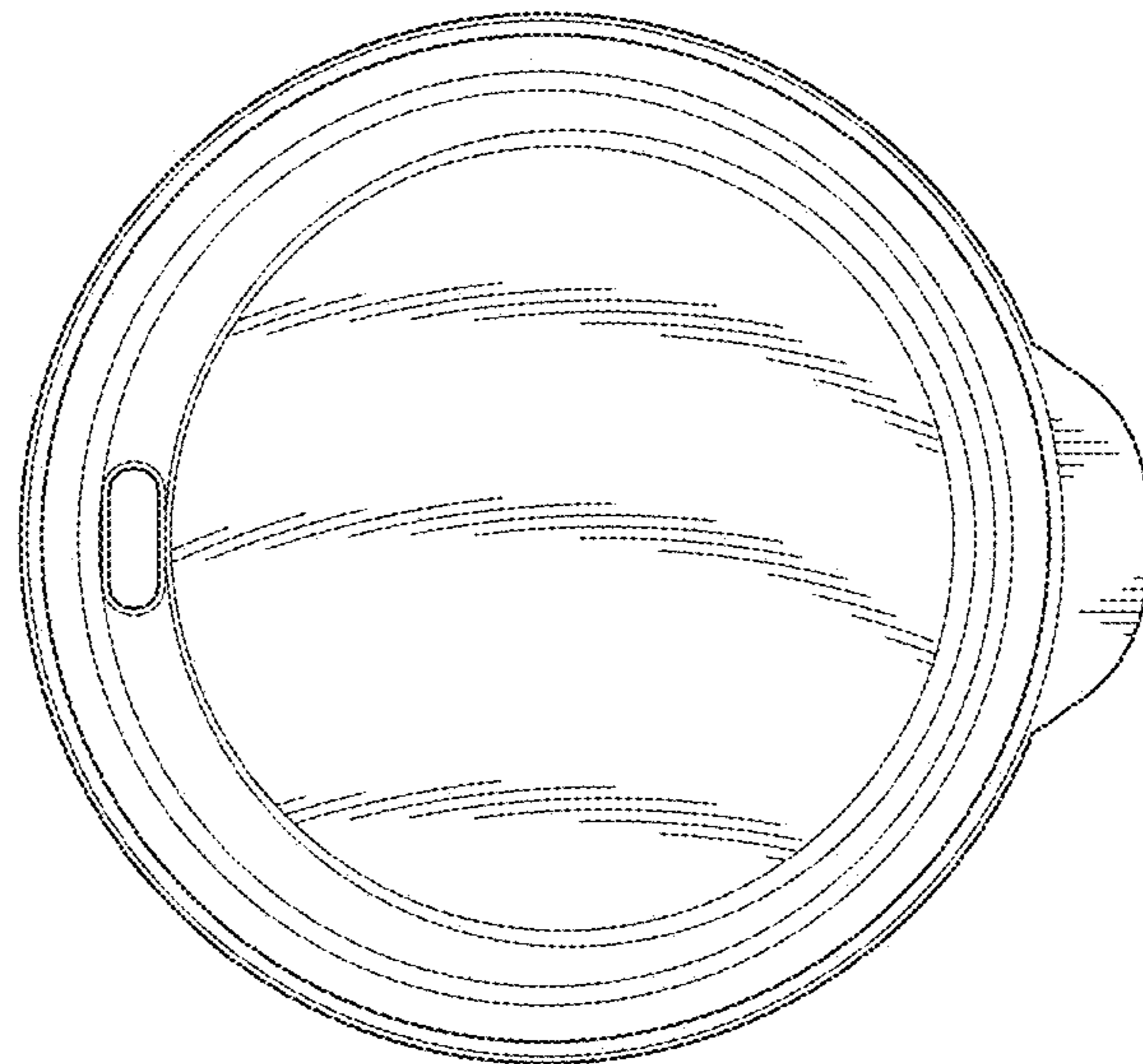


FIG. 22