



US00D911108S

(12) **United States Design Patent**  
**Hofer et al.**

(10) **Patent No.:** **US D911,108 S**  
(45) **Date of Patent:** **\*\* Feb. 23, 2021**

(54) **BBQ STRIKER AND CLEANING TOOL**

(71) Applicant: **Wolf and Timber Inc.**, Kitchener (CA)  
(72) Inventors: **Joseph Hofer**, Kitchener (CA); **George Rizkalla**, Kitchener (CA)  
(73) Assignee: **Wolf and Timber Inc.**, Kitchener (CA)  
(\*\*) Term: **15 Years**

(21) Appl. No.: **29/659,309**

(22) Filed: **Aug. 8, 2018**

(51) **LOC (13) Cl.** ..... **07-99**

(52) **U.S. Cl.**  
USPC ..... **D7/416; D32/46; D27/139**

(58) **Field of Classification Search**  
USPC ..... D7/416, 417; D22/112; D34/46;  
D32/46-49, 40; D27/139, 140, 141-144,  
D27/147, 152, 161  
CPC ..... A47J 37/0786; C10L 11/04; C10L 11/06;  
F23Q 1/00-06; F23Q 2/18-24  
See application file for complete search history.

(56) **References Cited**

**U.S. PATENT DOCUMENTS**

D247,752 S *	4/1978	Yanai	.....	D27/147
4,112,537 A *	9/1978	Heuck	.....	A47J 37/0786
				15/105
D262,480 S *	12/1981	Swindell	.....	D22/108
D282,566 S *	2/1986	Cragun	.....	D7/416
5,255,406 A *	10/1993	Rood	.....	A47J 37/0786
				15/236.06
D364,245 S *	11/1995	Anderson	.....	D27/141
5,470,226 A *	11/1995	Pearl, II	.....	F23Q 3/002
				126/406
D377,699 S *	1/1997	McLaughlin	.....	D32/46
D417,760 S *	12/1999	Quackenbush	.....	D32/46
D428,225 S *	7/2000	Prime	.....	D32/40

(Continued)

**OTHER PUBLICATIONS**

Bayite, Survival Drilled Flint STEEL Fire Starter, Jan. 15, 2015, Amazon, <https://www.amazon.com/bayite-Survival-Ferrocium-Striker-Pro-Paracord/dp/B00VFBEJX2> (Year: 2015).\*

*Primary Examiner* — Brett Miller

(74) *Attorney, Agent, or Firm* — Own Innovation Inc.; James W. Hinton

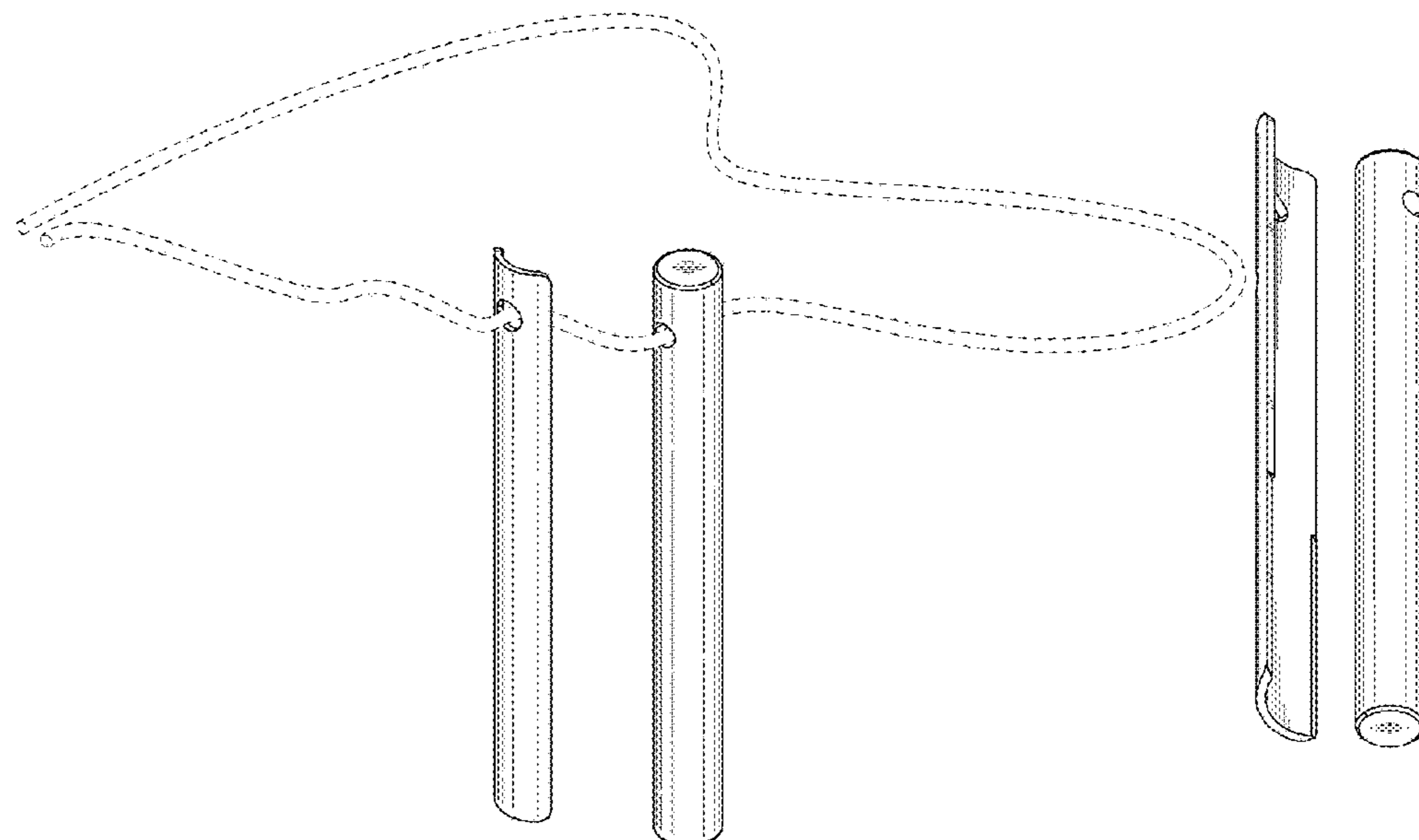
(57) **CLAIM**

The ornamental design for an BBQ striker and cleaning tool, as shown and described.

**DESCRIPTION**

FIG. 1 is a perspective view of a BBQ striker and cleaning tool made in accordance with the subject design;  
FIG. 2 is a right side elevation view thereof;  
FIG. 3 is a front elevation view thereof;  
FIG. 4 is a left side elevation view thereof;  
FIG. 5 is a perspective view thereof;  
FIG. 6 is a bottom view thereof;  
FIG. 7 is a top view thereof;  
FIG. 8 is a rear perspective view thereof in a nested position;  
FIG. 9 is a front perspective view thereof in a nested position;  
FIG. 10 is a right side elevation view thereof in a nested position;  
FIG. 11 is a front elevation view thereof in a nested position;  
FIG. 12 is a left side elevation view thereof in a nested position;  
FIG. 13 is a rear elevation view thereof in a nested position;  
FIG. 14 is a front perspective view thereof in a nested position;  
FIG. 15 is a bottom view thereof in a nested position; and,  
FIG. 16 is a top view thereof in a nested position.

**1 Claim, 5 Drawing Sheets**



(56)

**References Cited**

U.S. PATENT DOCUMENTS

6,676,181	B1 *	1/2004	Greiner	.....	A47J 43/288
					15/236.06
D490,669	S *	6/2004	Komar	.....	D8/14
D571,517	S *	6/2008	Zion	.....	D32/49
D664,319	S *	7/2012	Thompson	.....	D32/46
D679,141	S *	4/2013	Slack	.....	D7/416
D750,336	S *	2/2016	Taylor, III	.....	D32/49
D865,307	S *	10/2019	Noel	.....	D32/46
10,442,094	B1 *	10/2019	Weir	.....	B26B 1/10
D882,197	S *	4/2020	Zemel	.....	D32/46
2002/0042964	A1 *	4/2002	Griffith	.....	A47L 13/08
					15/236.06
2005/0150070	A1 *	7/2005	Persichina	.....	B08B 1/00
					15/236.01
2009/0214996	A1 *	8/2009	Putrello	.....	F23Q 1/06
					431/273
2011/0258801	A1 *	10/2011	Thompson	.....	A47J 37/0786
					15/236.01
2013/0104331	A1 *	5/2013	Leis	.....	A47J 37/0786
					15/236.07
2017/0020234	A1 *	1/2017	Taylor	.....	A44B 11/2526
2017/0021393	A1 *	1/2017	Hasler	.....	A47J 37/0786
2017/0299180	A1 *	10/2017	Holland	.....	F23Q 2/22
2019/0053668	A1 *	2/2019	Norris	.....	A47J 37/0786

\* cited by examiner

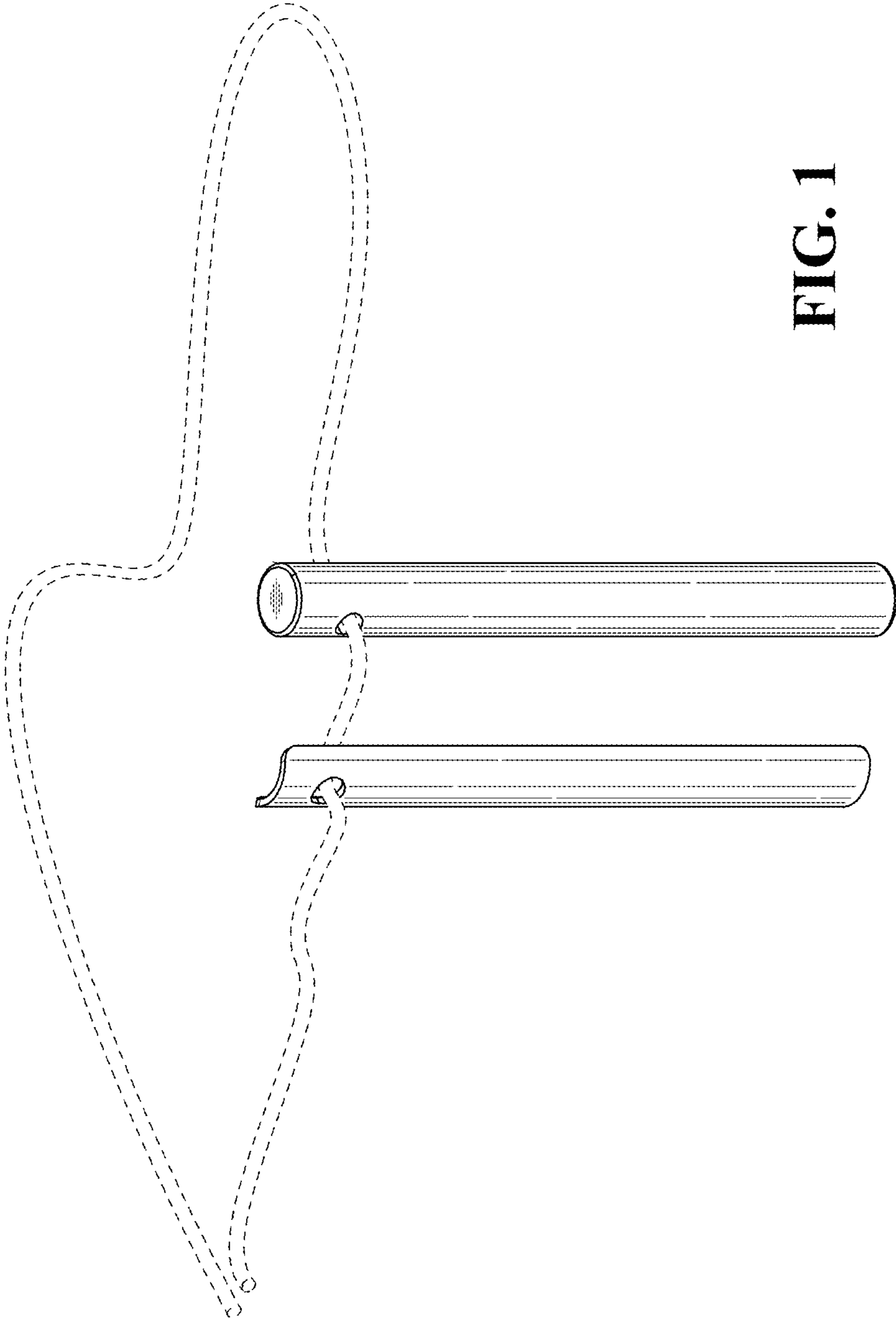


FIG. 1

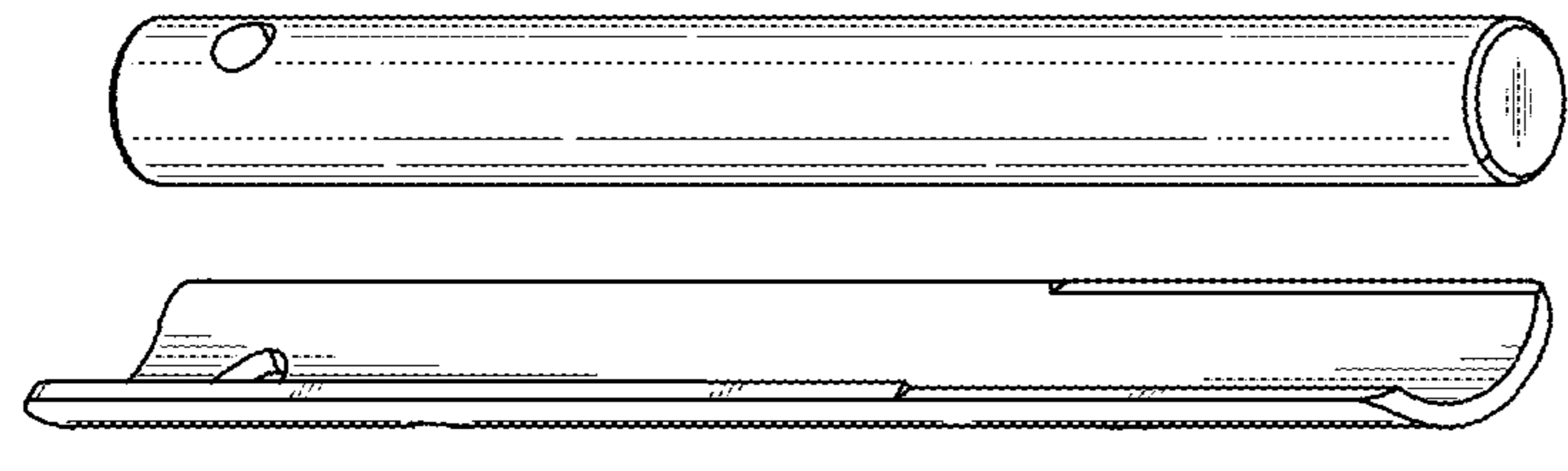


FIG. 2

FIG. 3

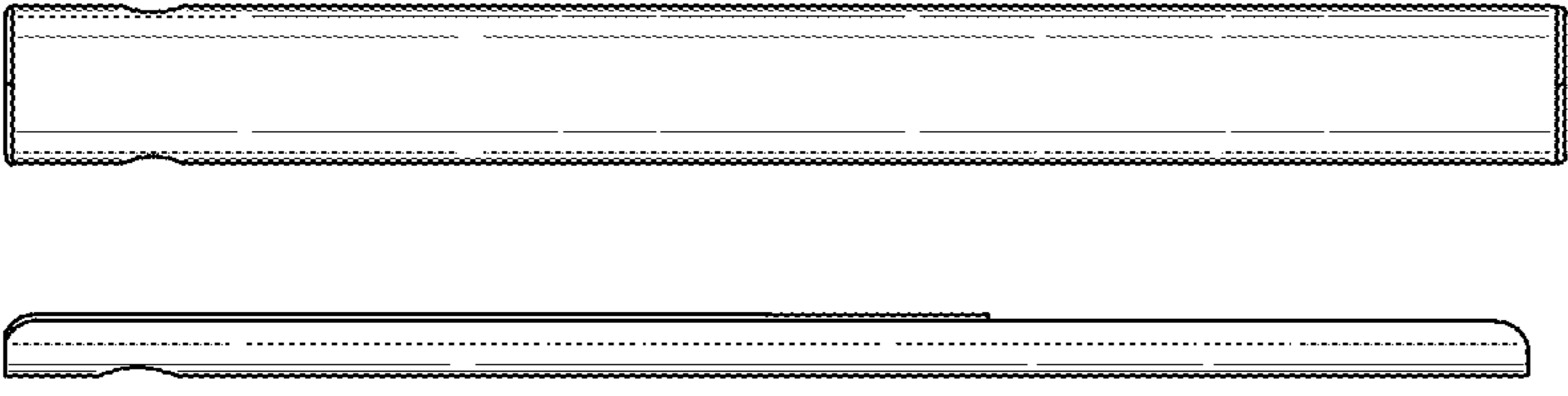


FIG. 4

FIG. 5

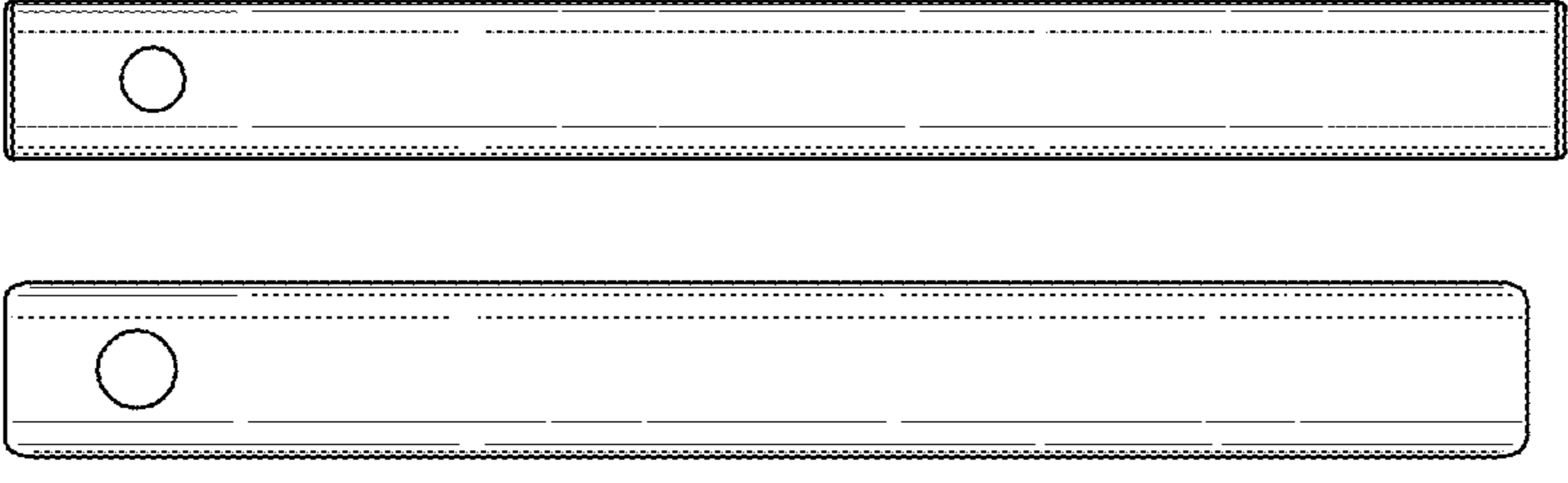


FIG. 6

FIG. 7



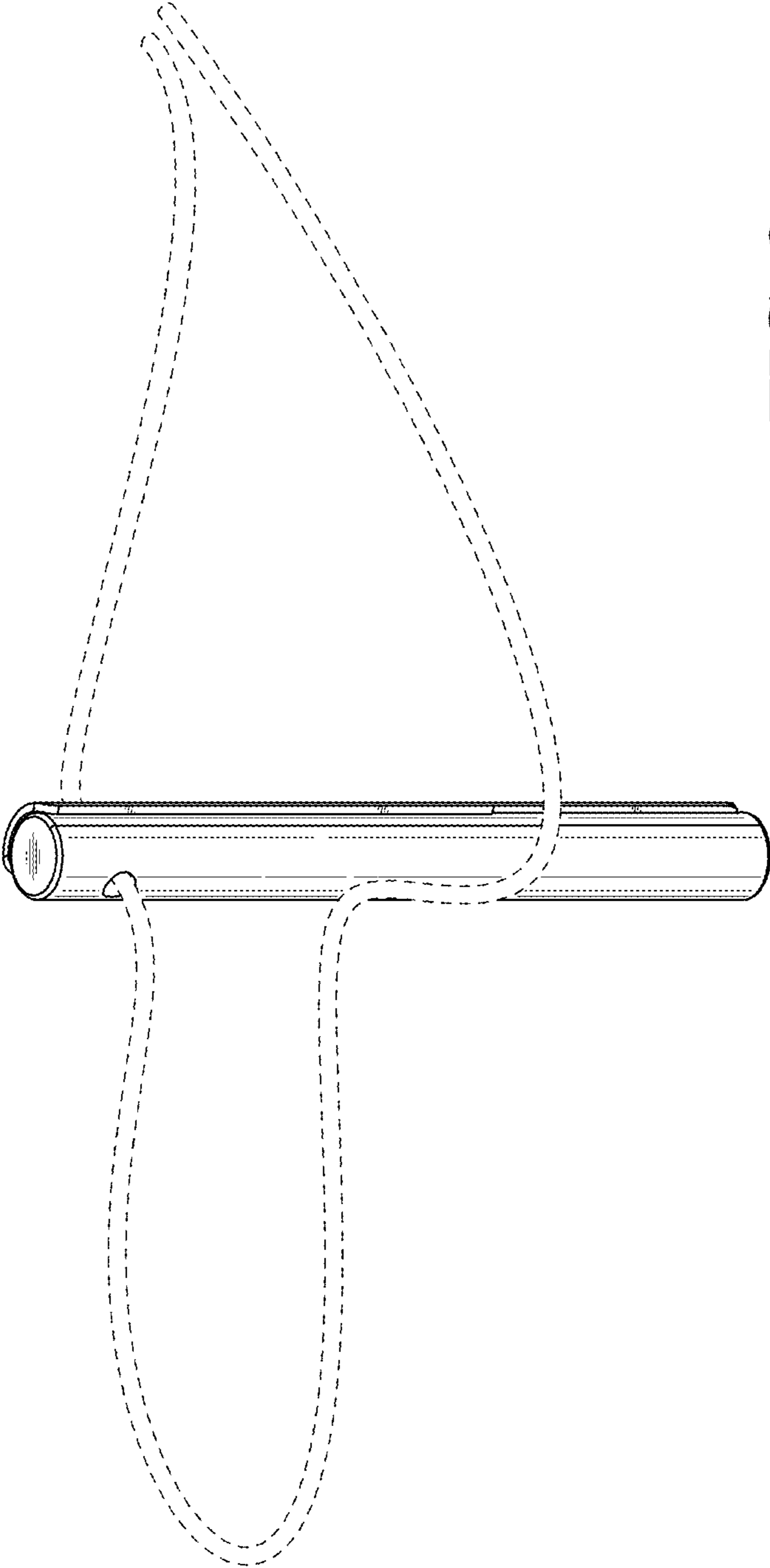


FIG. 8

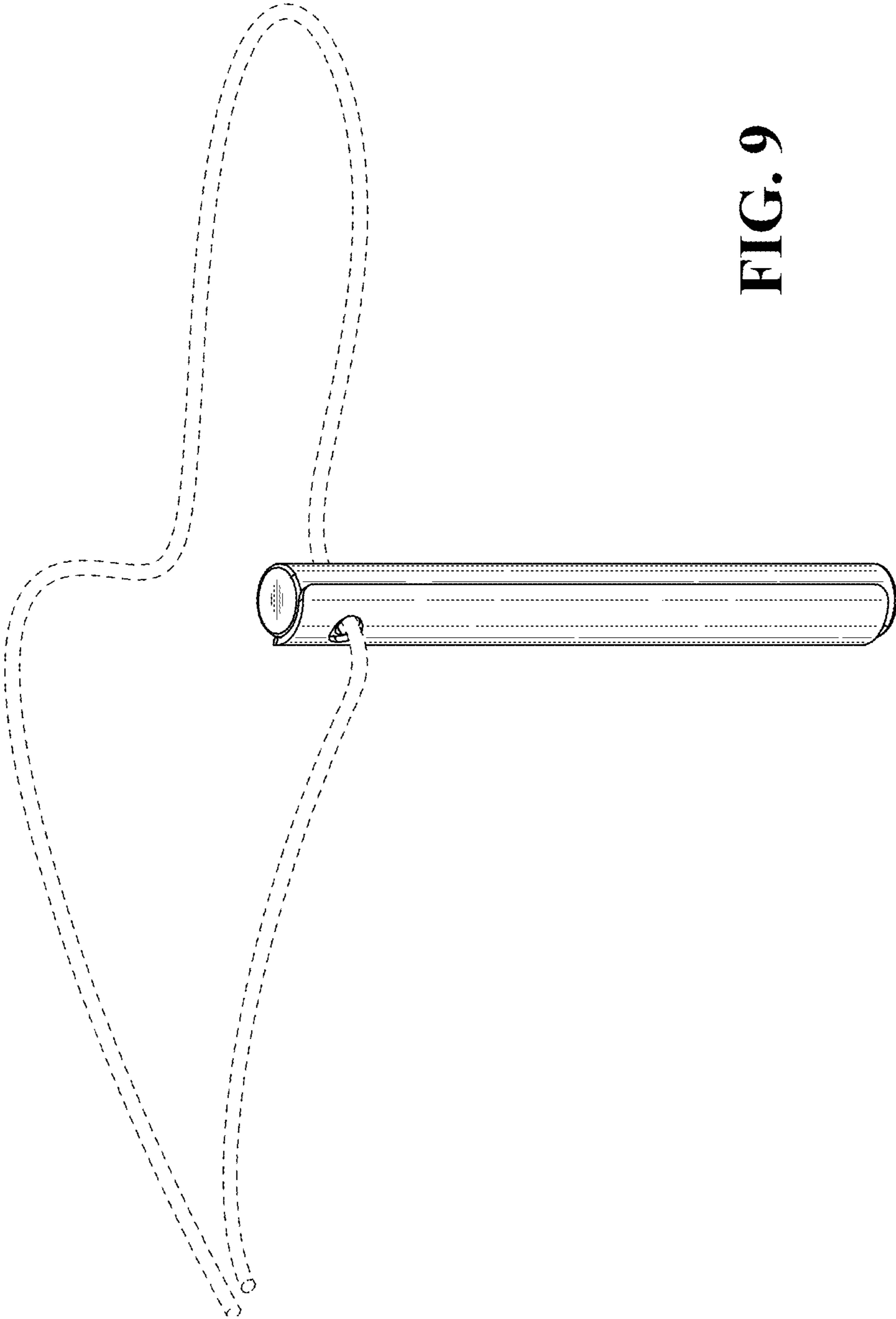


FIG. 9

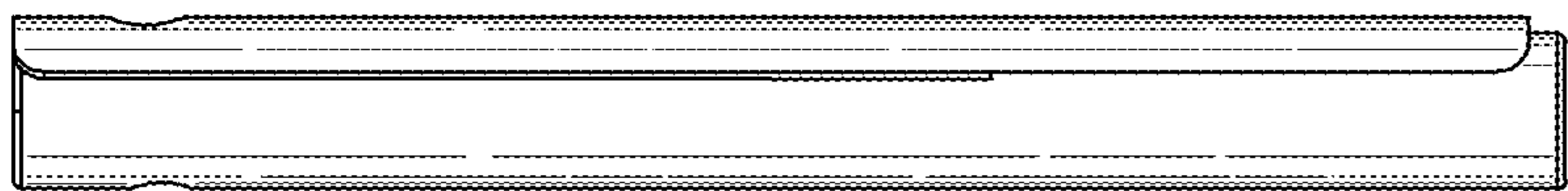


FIG. 10

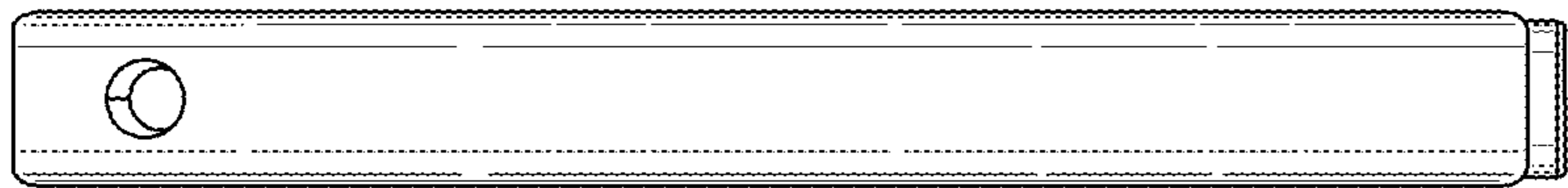


FIG. 11

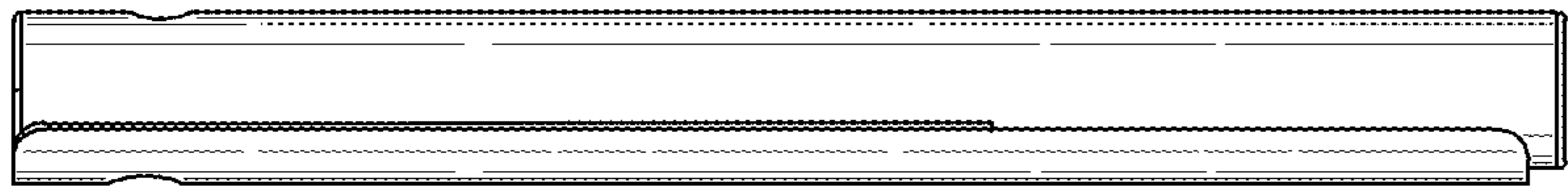


FIG. 12

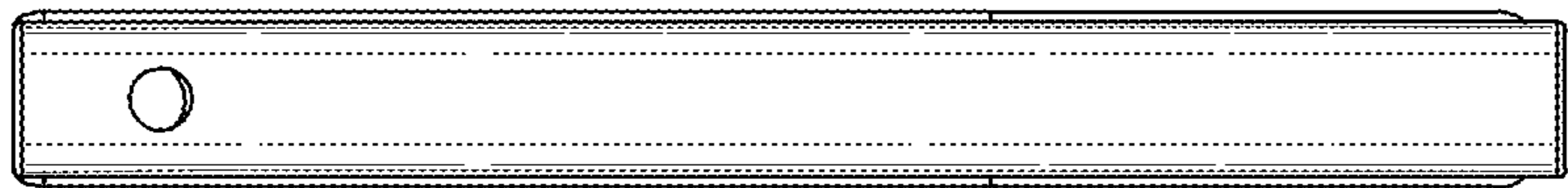


FIG. 13

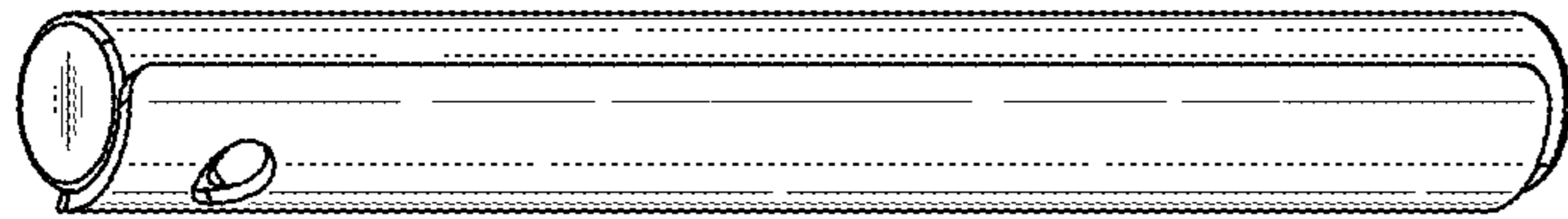


FIG. 14

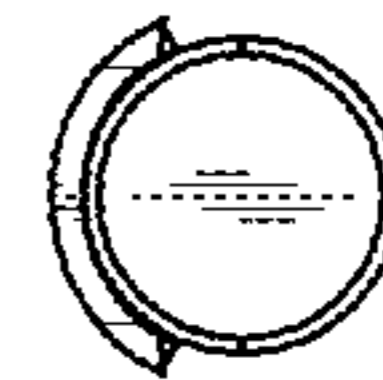


FIG. 15

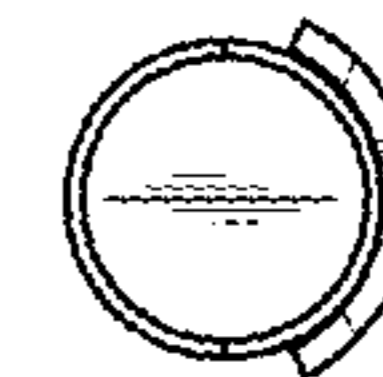


FIG. 16