



US00D911105S

(12) **United States Design Patent** (10) **Patent No.:** **US D911,105 S**
Park (45) **Date of Patent:** **** Feb. 23, 2021**

(54) **COFFEE DRIPPER**
(71) Applicant: **HARIO Co., Ltd.**, Tokyo (JP)
(72) Inventor: **Su Jin Park**, Tokyo (JP)
(73) Assignee: **HARIO CO., LTD.**, Tokyo (JP)
(**) Term: **15 Years**
(21) Appl. No.: **29/693,400**
(22) Filed: **Jun. 3, 2019**
(30) **Foreign Application Priority Data**

Apr. 25, 2019 (EM) 006397071
(51) **LOC (13) Cl.** **07-99**
(52) **U.S. Cl.**
USPC **D7/400; D7/399**
(58) **Field of Classification Search**
USPC D7/601.4, 399; D6/513
CPC A23F 5/12; A47J 31/02
See application file for complete search history.

(56) **References Cited**
U.S. PATENT DOCUMENTS
D203,854 S * 2/1966 Douglas D7/400
3,334,574 A * 8/1967 Douglas A47J 31/02
99/304
D521,329 S * 5/2006 Bodum D7/400

7,926,414 B1 * 4/2011 Wolcott A47J 31/0615
99/279
D717,110 S * 11/2014 De Leo D7/400
D791,535 S * 7/2017 Yeh D7/400
D797,501 S * 9/2017 Thurlow D7/400
D809,338 S * 2/2018 Mikami D7/400
D828,089 S * 9/2018 Schueler D7/400
D873,608 S * 1/2020 De Martrin-Donos D7/400
2009/0178572 A1 * 7/2009 Wolcott A47J 31/0626
99/323
2019/0191914 A1 * 6/2019 Schillheim A47J 31/02
* cited by examiner

Primary Examiner — Marianne N Pandozzi
(74) *Attorney, Agent, or Firm* — Potomac Law Group, PLLC; George Dolina

(57) **CLAIM**
The ornamental design for a coffee dripper, as shown and described.

DESCRIPTION
FIG. 1 is a front perspective view for a coffee dripper showing the new design;
FIG. 2 is a bottom perspective view thereof;
FIG. 3 is a front view thereof;
FIG. 4 is a rear view thereof;
FIG. 5 is a top view thereof;
FIG. 6 is a bottom view thereof;
FIG. 7 is a left-side view thereof; and,
FIG. 8 is a right-side view thereof.

1 Claim, 8 Drawing Sheets

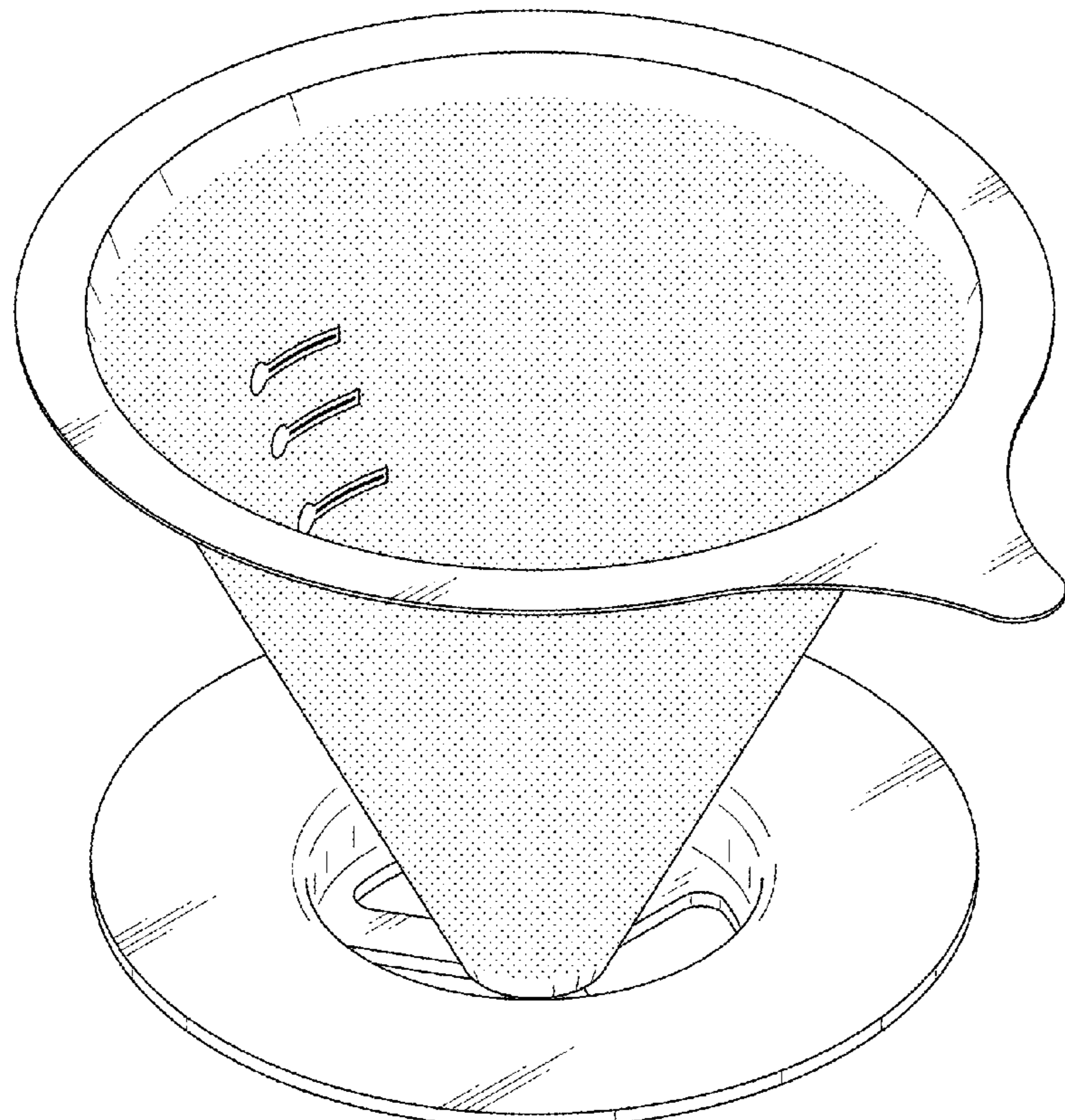


FIG. 1

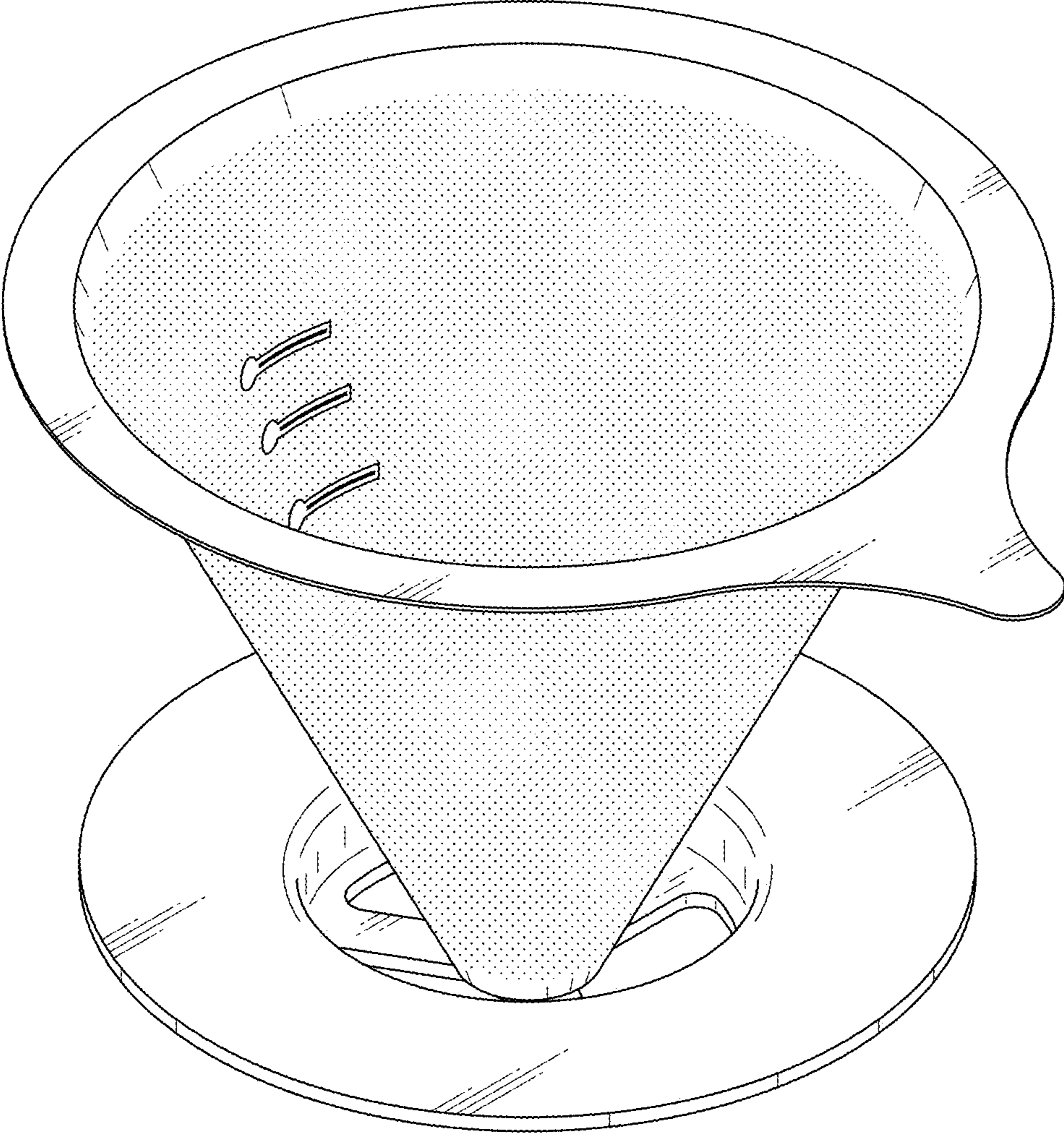


FIG. 2

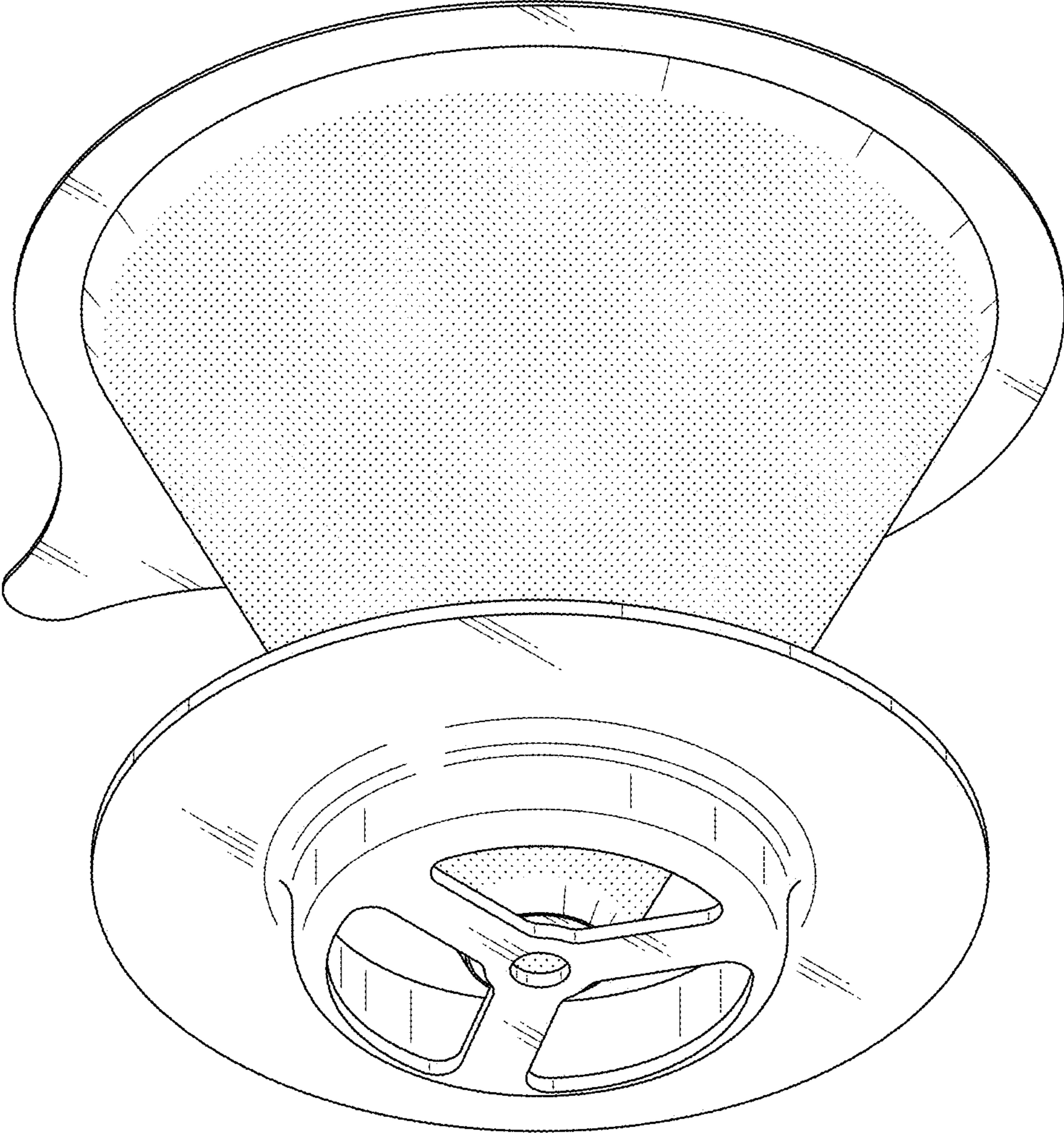


FIG. 3

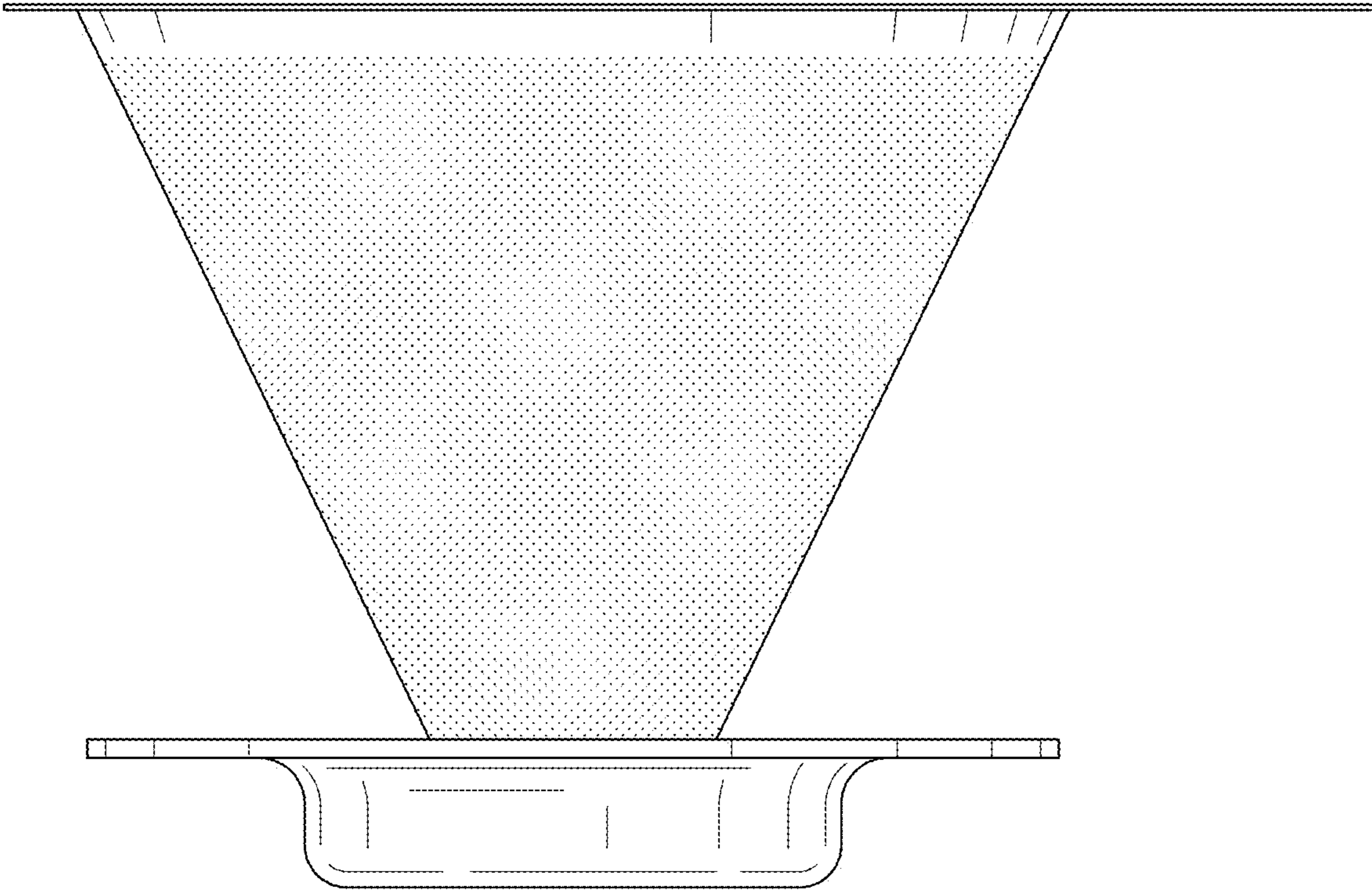


FIG. 4

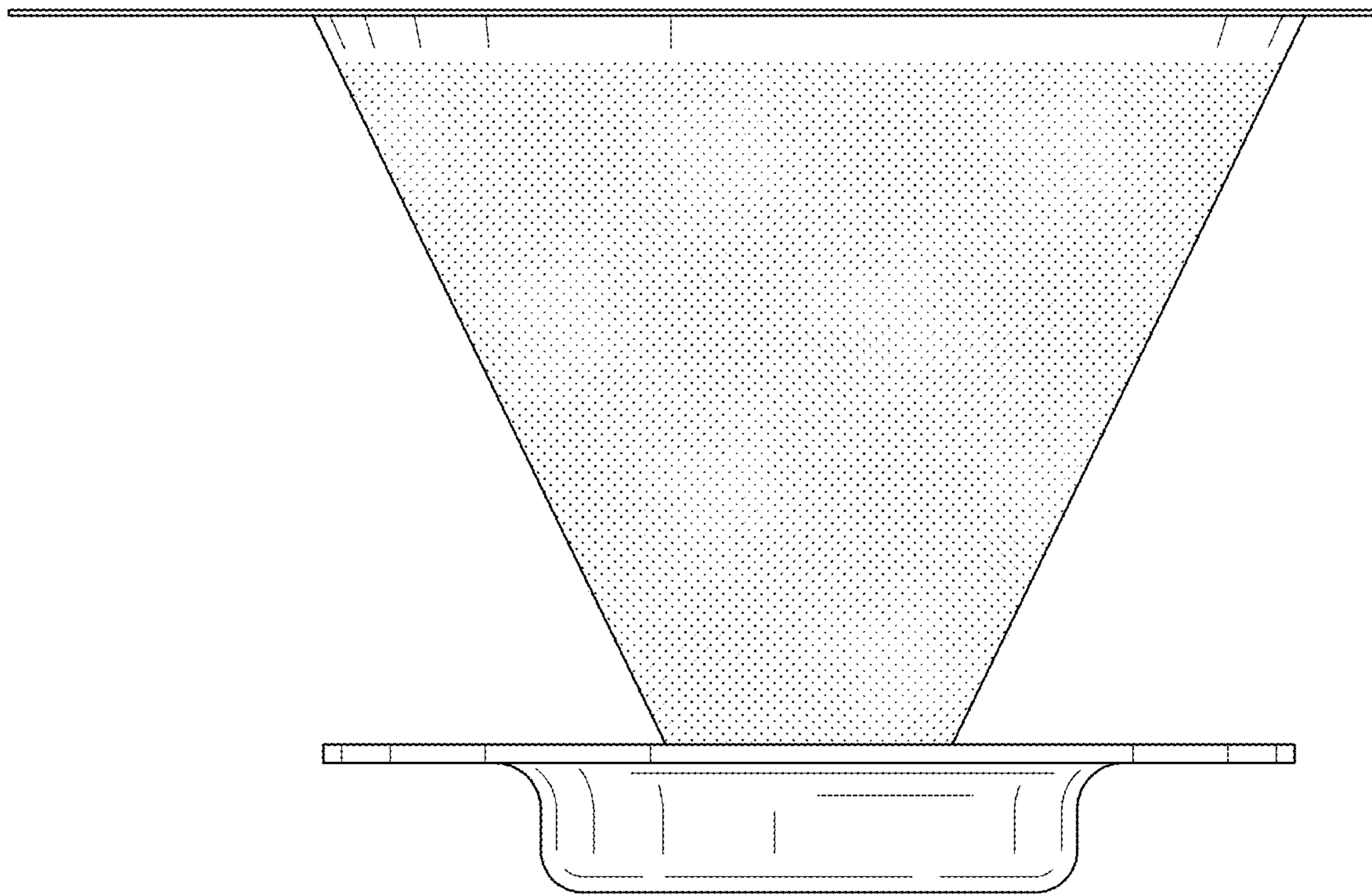


FIG. 5

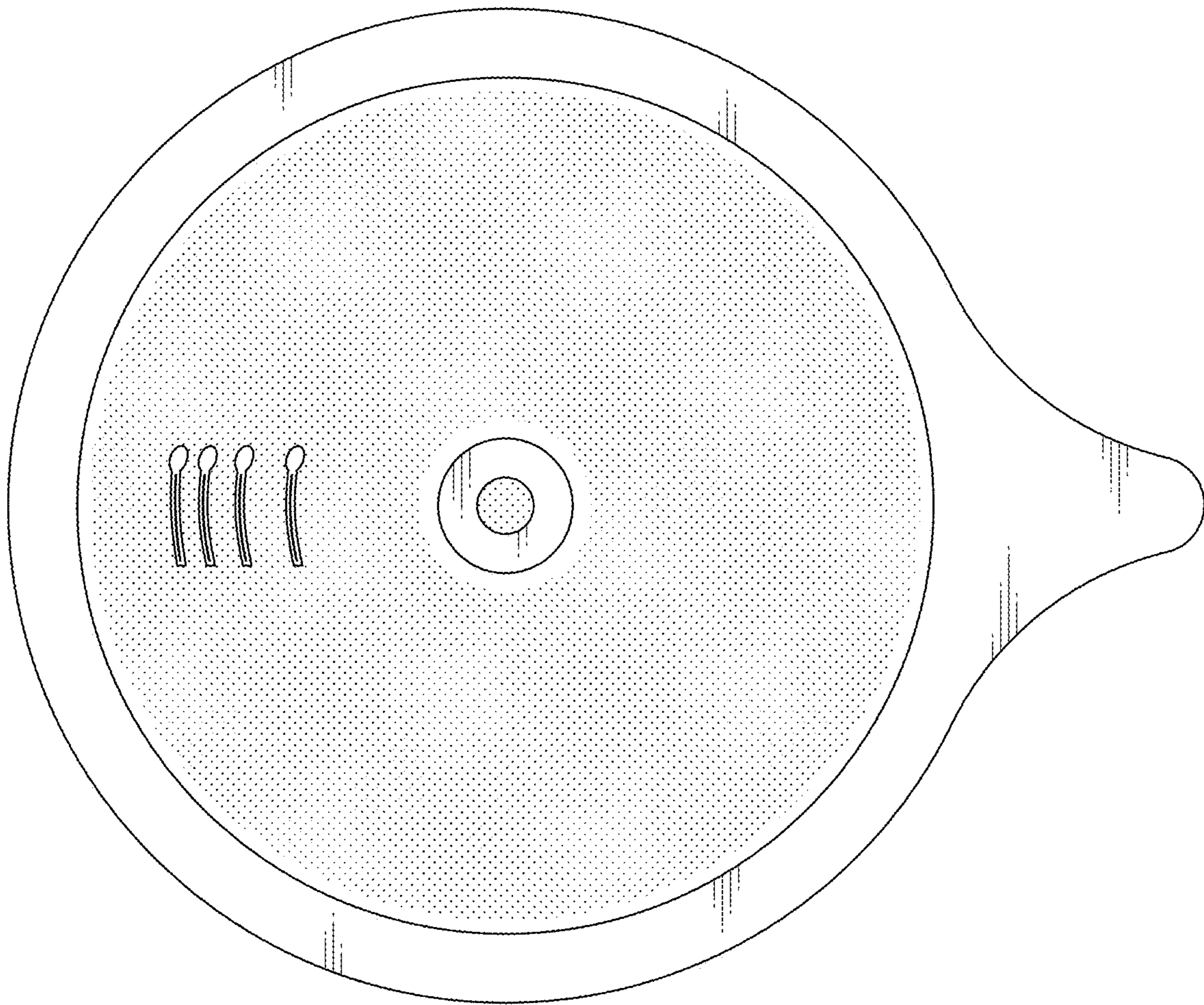


FIG. 6

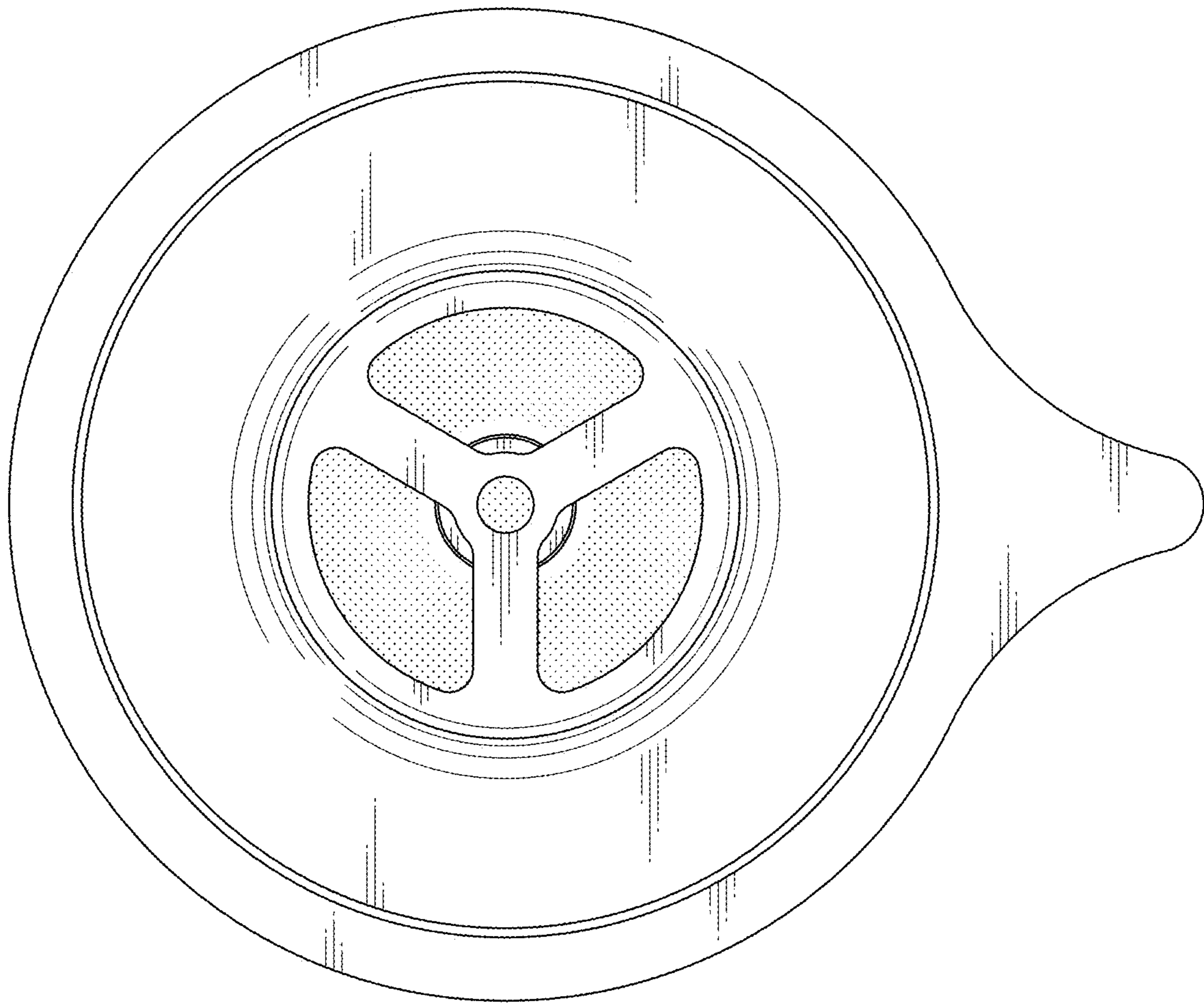


FIG. 7

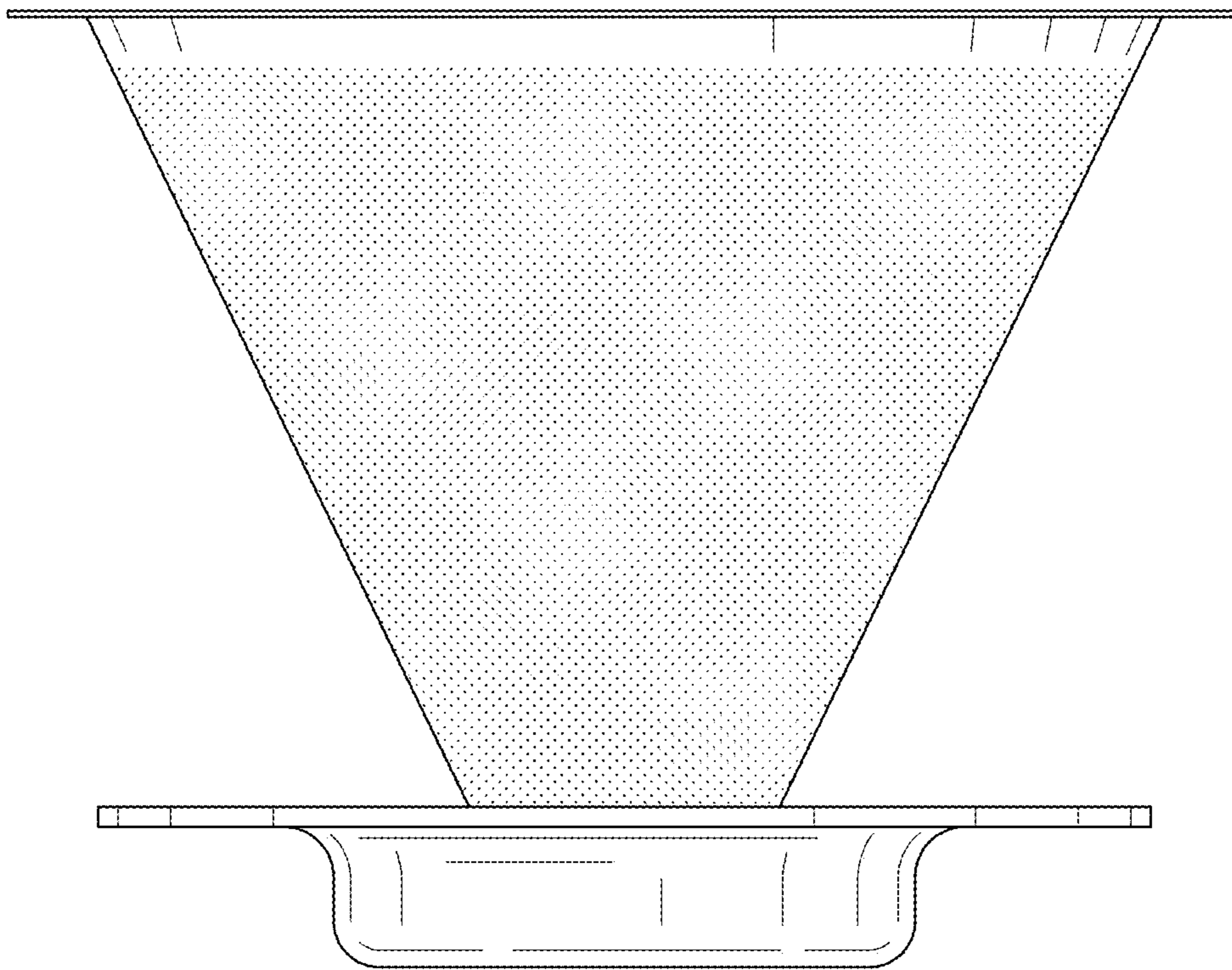


FIG. 8

