



US00D911104S

(12) **United States Design Patent** (10) **Patent No.:** **US D911,104 S**
Meyers et al. (45) **Date of Patent:** **** Feb. 23, 2021**

(54) **SPOUT**
(71) Applicant: **Runway Blue, LLC**, Alpine, UT (US)
(72) Inventors: **David O. Meyers**, Layton, UT (US);
John R. Omdahl, II, Lindon, UT (US);
Daniel Kendall Harden, Palo Alto, CA (US);
Elliot Lucas Ortiz, San Francisco, CA (US)
(73) Assignee: **Runway Blue, LLC**, Alpine, UT (US)

D399,744 S 10/1998 Gross
D413,514 S * 9/1999 Pericard D9/445
D417,845 S 12/1999 Sadlier et al.
D436,040 S 1/2001 Warner et al.
D437,223 S 2/2001 Coy et al.
6,367,670 B1 * 4/2002 Warner B65D 47/0804
222/556
D462,009 S * 8/2002 Poisson D9/448
D476,892 S 7/2003 Martin et al.
D530,202 S 10/2006 Herald et al.
7,124,917 B2 10/2006 Lee
D532,302 S 11/2006 Moretti
D547,605 S 7/2007 Edelstein et al.

(**) Term: **15 Years**

(Continued)

(21) Appl. No.: **29/731,210**

OTHER PUBLICATIONS

(22) Filed: **Apr. 13, 2020**

U.S. Appl. No. 29/693,888, filed Jun. 5, 2019.

(Continued)

Related U.S. Application Data

(63) Continuation of application No. 29/602,291, filed on Apr. 28, 2017, now Pat. No. Des. 884,416.

Primary Examiner — Susan E Krakower

Assistant Examiner — Andrew Kerr

(51) **LOC (13) Cl.** **07-99**

(74) *Attorney, Agent, or Firm* — Sterne, Kessler, Goldstein & Fox P.L.L.C.

(52) **U.S. Cl.**

USPC **D7/398**; D7/396.2

(57)

CLAIM

(58) **Field of Classification Search**

USPC ... D7/509–511, 396.2, 387, 396.1, 397, 608,
D7/300.1, 591, 529, 533–536; D9/434,
D9/435, 443, 447, 452, 503, 504
CPC A47G 19/22; A47G 19/2205; A45F 3/16;
B65D 41/04; B65D 43/02

The ornamental design for a spout, as shown and described.

See application file for complete search history.

DESCRIPTION

(56) **References Cited**

U.S. PATENT DOCUMENTS

2,573,378 A * 10/1951 Zurlinden B65D 47/0866
215/235
3,770,160 A 11/1973 Flider
D292,489 S 10/1987 Kowollik et al.
4,948,009 A 8/1990 Sawatani
5,318,203 A 6/1994 Iaia et al.

FIG. 1 is a top front perspective view of a spout, showing the claimed design;
FIG. 2 is a top rear perspective view thereof;
FIG. 3 is a front view thereof;
FIG. 4 is a rear view thereof;
FIG. 5 is a left side view thereof;
FIG. 6 is a right side view thereof;
FIG. 7 is a top view thereof; and,
FIG. 8 is a bottom view thereof.

The broken lines illustrate environmental structure and parts of the article that form no part of the claimed design.

1 Claim, 8 Drawing Sheets



(56)

References Cited

U.S. PATENT DOCUMENTS

D547,607 S 7/2007 Forsman
 D562,065 S 2/2008 Smaldone
 D586,184 S 2/2009 Miller et al.
 D588,915 S 3/2009 Lohrman et al.
 D591,595 S 5/2009 Tedford, Jr.
 D601,017 S 9/2009 Hungerford
 7,717,284 B2 5/2010 Giusti
 D626,837 S 11/2010 Meyers et al.
 D626,838 S 11/2010 Meyers et al.
 D628,887 S 12/2010 Groubert et al.
 D628,890 S 12/2010 Groubert et al.
 D628,893 S 12/2010 Groubert et al.
 D636,672 S 4/2011 Lohrman et al.
 D649,878 S 12/2011 Weiss
 D649,879 S 12/2011 Gullickson et al.
 D652,256 S 1/2012 Eyal
 8,146,770 B2 4/2012 Newman
 D660,696 S 5/2012 Weiss
 D666,490 S 9/2012 Leon
 D677,121 S 3/2013 Meyers et al.
 D679,541 S 4/2013 Samartgis
 D682,034 S 5/2013 El-Saden et al.
 D686,870 S 7/2013 Young
 D696,551 S 12/2013 Meyers et al.
 D696,941 S 1/2014 Kim
 D696,942 S 1/2014 Kim
 D696,943 S 1/2014 Kim
 D704,053 S 5/2014 Kim
 D705,058 S 5/2014 Kim
 D707,124 S 6/2014 Blain et al.
 8,770,435 B2 7/2014 Weiss
 D711,230 S 8/2014 den Boer
 D713,723 S 9/2014 den Boer
 D713,724 S 9/2014 den Boer
 8,833,582 B1 9/2014 Meyers
 8,833,586 B2 9/2014 Meyers et al.
 D716,141 S 10/2014 Rush
 D716,657 S * 11/2014 Caneer D9/443
 D719,780 S 12/2014 Sullivan
 D721,275 S 1/2015 Thijssen et al.
 D721,276 S 1/2015 Herbst
 D723,328 S 3/2015 Steel
 D723,332 S 3/2015 Steel
 D727,093 S 4/2015 Lapsker
 D729,569 S 5/2015 Herbst et al.
 9,027,774 B2 5/2015 Palmer
 D730,694 S 6/2015 Elsaden et al.
 D734,152 S 7/2015 Hager et al.
 D737,139 S 8/2015 Sokoly
 D739,183 S 9/2015 Lane
 D740,605 S 10/2015 Wodka et al.
 D741,637 S 10/2015 Palermo et al.
 D742,230 S 11/2015 Charles
 D745,827 S * 12/2015 Sorensen D9/450
 D747,136 S 1/2016 Lane et al.
 D750,490 S 3/2016 Moore et al.
 D754,000 S 4/2016 Wang
 D754,535 S 4/2016 Kim
 D754,540 S 4/2016 Wang
 D758,127 S 6/2016 Zhao

D761,649 S 7/2016 Buck
 9,392,893 B2 7/2016 Sorensen et al.
 D768,491 S * 10/2016 Sorensen D9/449
 D781,703 S 3/2017 Strachan
 D782,310 S * 3/2017 Li D9/449
 D793,154 S * 8/2017 Sorensen D7/392.1
 9,790,007 B2 * 10/2017 Sorensen B65D 43/16
 D806,469 S 1/2018 Palmer
 D814,855 S 4/2018 Hammer
 9,944,435 B2 4/2018 Mithal
 D822,484 S 7/2018 D'Amato
 D831,482 S * 10/2018 Meyers D9/447
 10,172,488 B2 1/2019 Sorensen et al.
 D852,625 S * 7/2019 Meyers D9/447
 D855,402 S 8/2019 Steinmann
 D861,419 S 10/2019 Omdahl et al.
 D862,224 S * 10/2019 Meyers D9/435
 D863,877 S 10/2019 Meyers
 D878,853 S * 3/2020 Omdahl, II D7/392.1
 2002/0179604 A1 12/2002 Germain et al.
 2003/0052126 A1 3/2003 Zettle et al.
 2006/0226110 A1 10/2006 Choi et al.
 2008/0099514 A1 5/2008 Carter et al.
 2008/0257899 A1 10/2008 Whitaker et al.
 2010/0224631 A1 9/2010 Roth et al.
 2011/0017760 A1 1/2011 Newman
 2011/0139800 A1 6/2011 Urban
 2011/0253733 A1 * 10/2011 Meyers B65D 47/089
 220/833
 2012/0055818 A1 3/2012 Zimmern
 2012/0061398 A1 3/2012 Nilsson
 2013/0062304 A1 3/2013 Meyers et al.
 2014/0069918 A1 3/2014 Meyers et al.
 2014/0299614 A1 10/2014 Mithal
 2014/0263324 A1 11/2014 Latham et al.
 2014/0360908 A1 12/2014 Sorensen et al.
 2015/0014322 A1 1/2015 Kim
 2015/0201773 A1 7/2015 Sorensen et al.
 2015/0201774 A1 7/2015 Sorensen et al.
 2015/0201775 A1 7/2015 Sorensen et al.
 2015/0329255 A1 11/2015 Rzepecki
 2016/0007780 A1 1/2016 Dolan et al.
 2017/0313478 A1 11/2017 El-Saden et al.
 2018/0050850 A1 2/2018 Murosky et al.

OTHER PUBLICATIONS

U.S. Appl. No. 29/703,302, filed Aug. 26, 2019.
 Amazon Avana Ashbury Stainless Steel Double-Wall Insulated Water Bottle, Reportedly accessed Oct. 16, 2019, https://www.amazon.com/Avana-Ashbury-Stainless-Double-Wall-Insulated/dp/B07QK9J832/ref=cm_cr_arp_d_product_top?ie=UTF8.
 Beachbody on Demand. 11 Water Bottles We're Lusting After. Dated Apr. 15, 2016. <Internet URL: <https://www.beachbodyondemand.com/blog/11-water-bottles-were-lusting-after>>.
 Amazon. Duo Classic protein Shaker Bottle. Jul. 30, 2014 [alleged earliest online date], <Internet URL: <https://www.amazon.com/Duo-Classic-Protein-Shaker-Bottle/dp/BOOJ9XRIEU?th=1>>.
 Amazon. Polar Bottle Thermaluxe Half-Twist Cap, <https://www.amazon.com/Polar-Bottle-Thermaluxe-Half-Twist-Cap/dp/B07CQ4XDNS>. Reportedly accessed May 14, 2019.

* cited by examiner

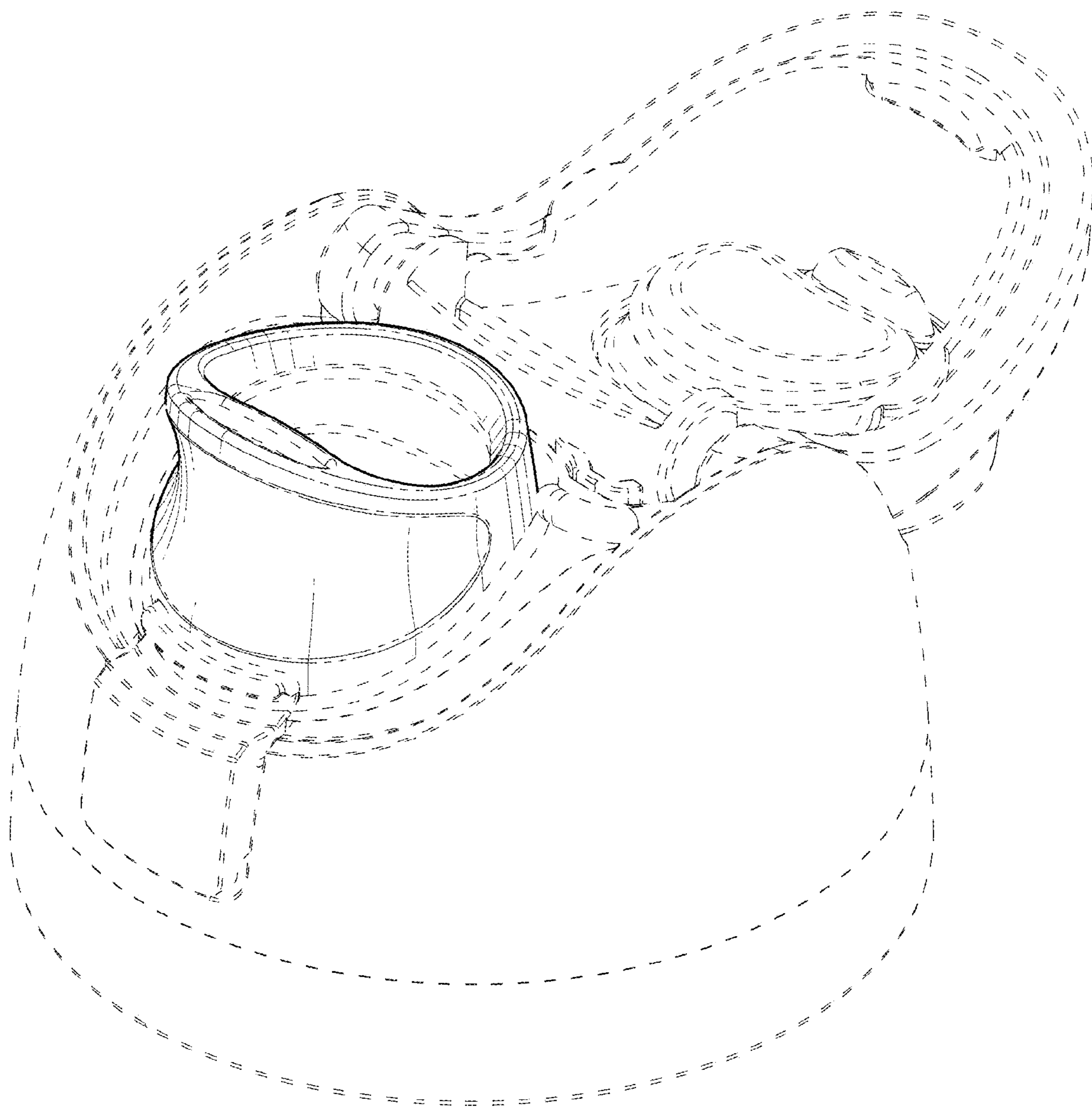


FIG. 1

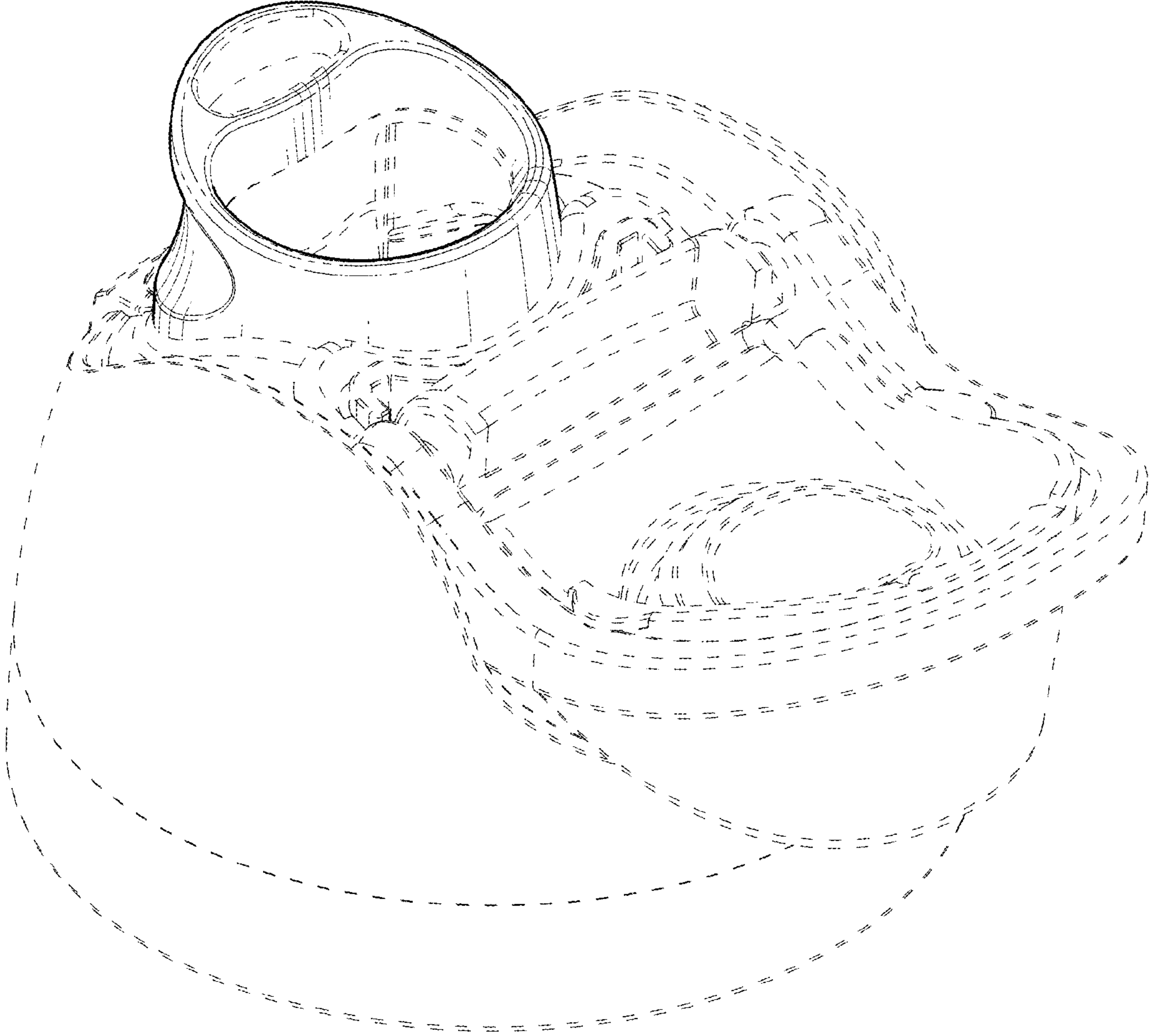


FIG. 2

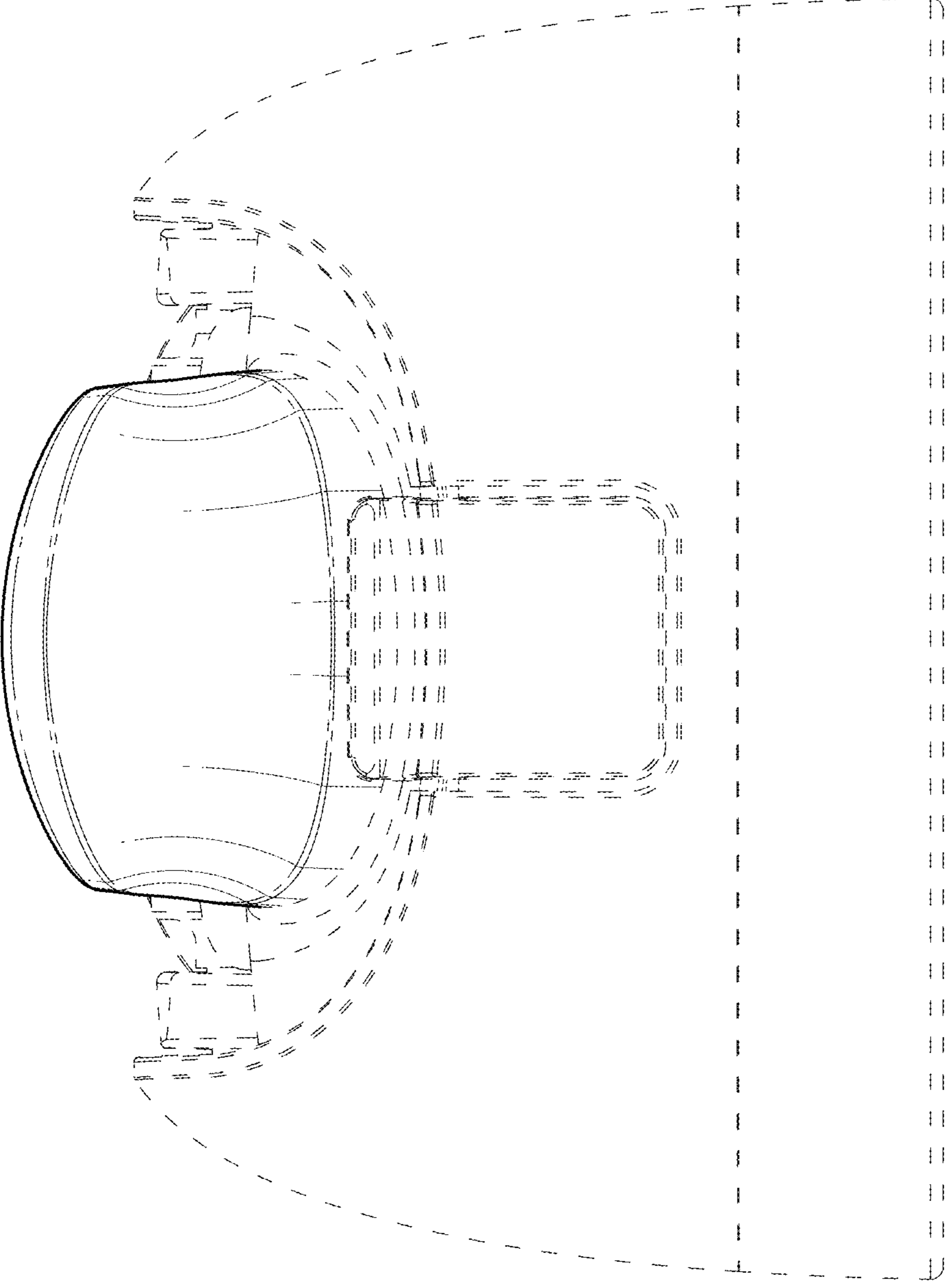


FIG. 3

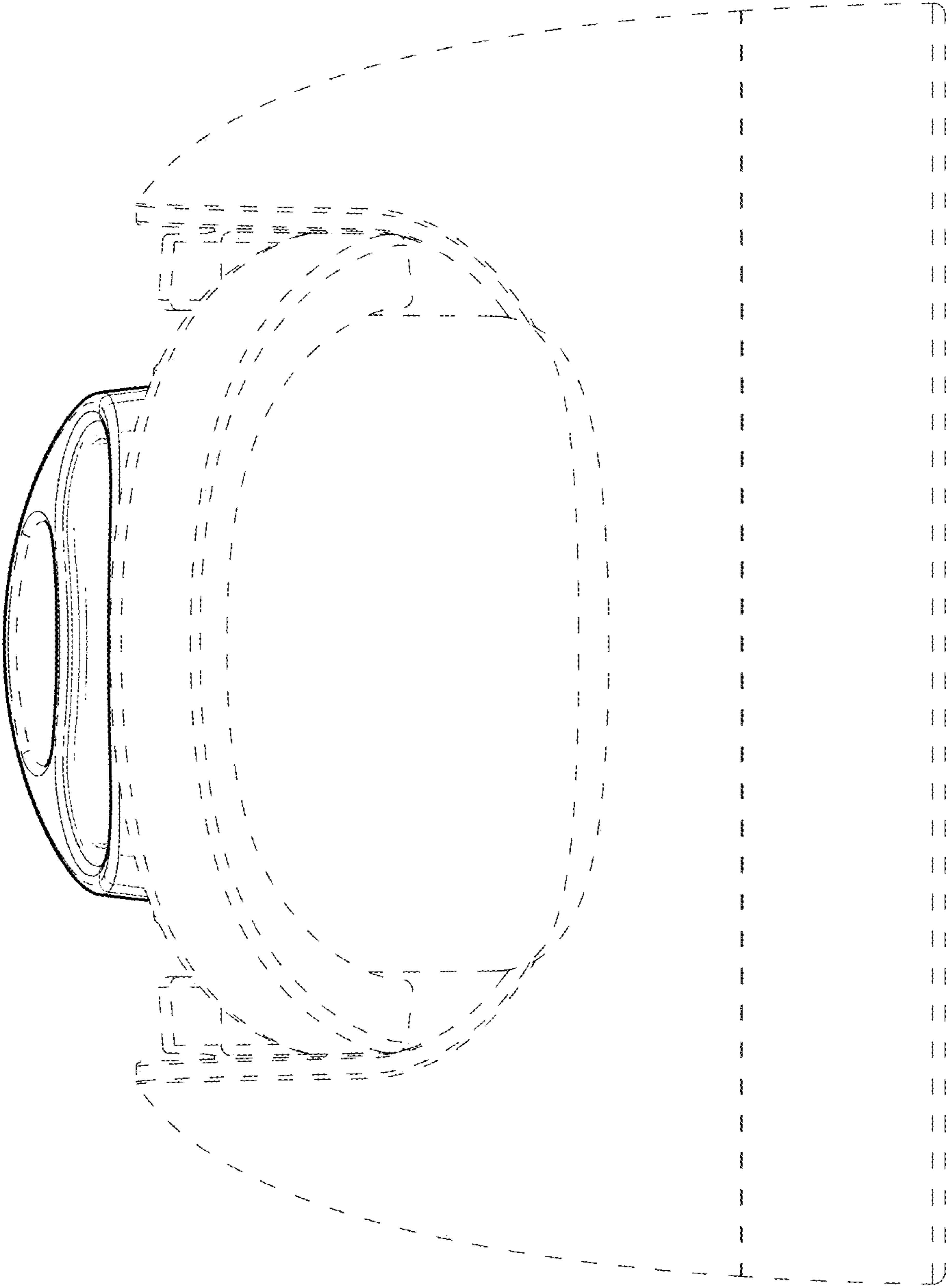


FIG. 4

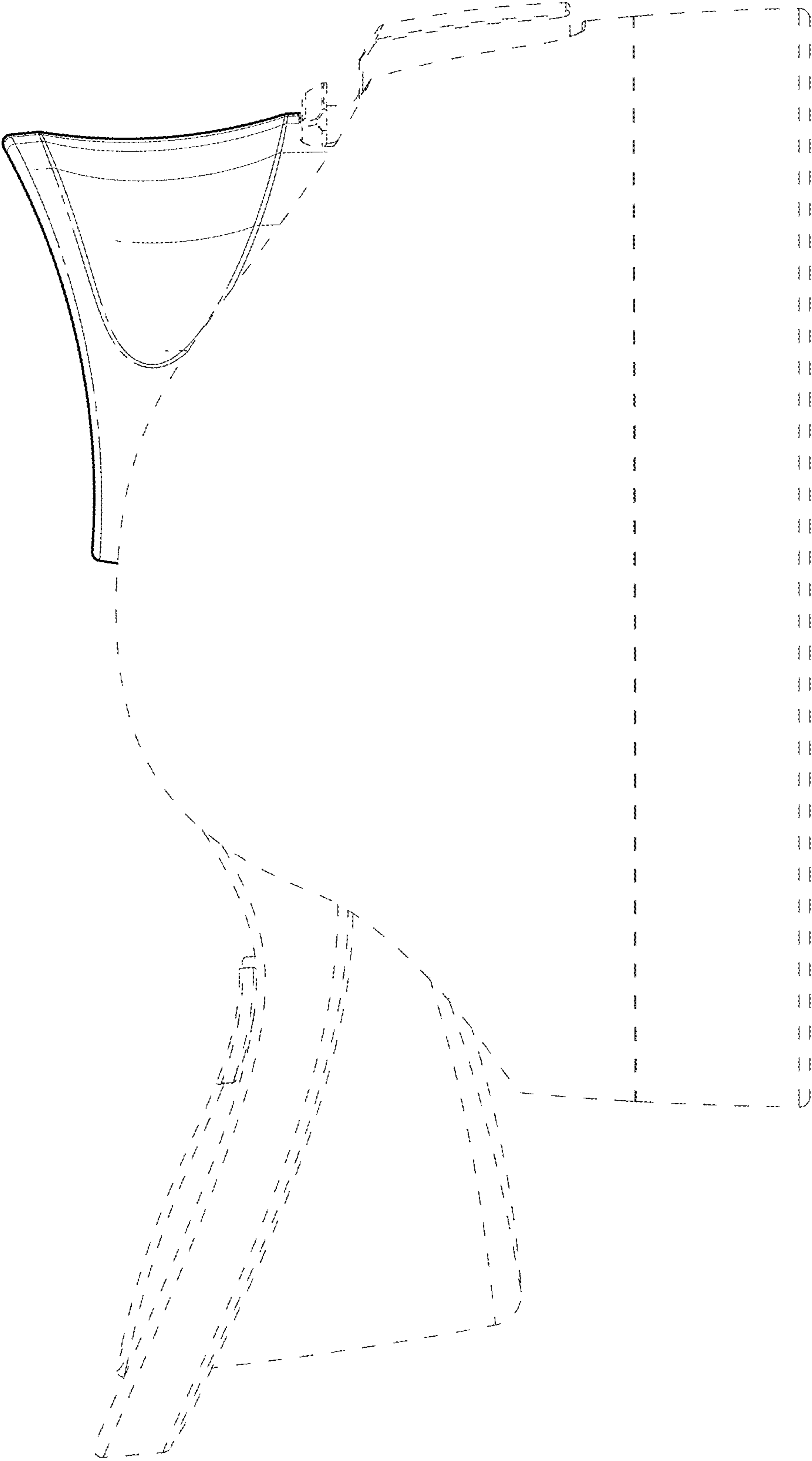


FIG. 5

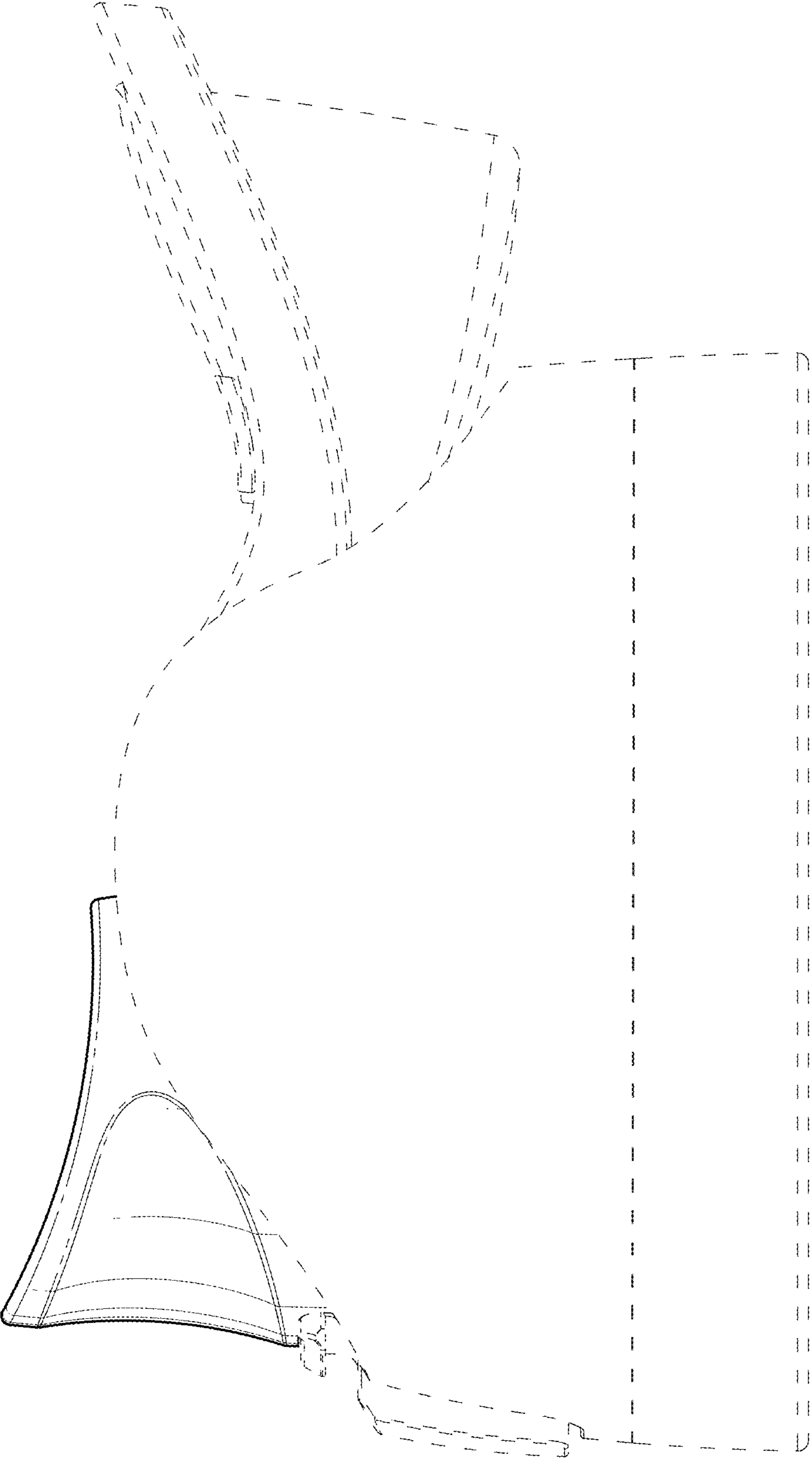


FIG. 6

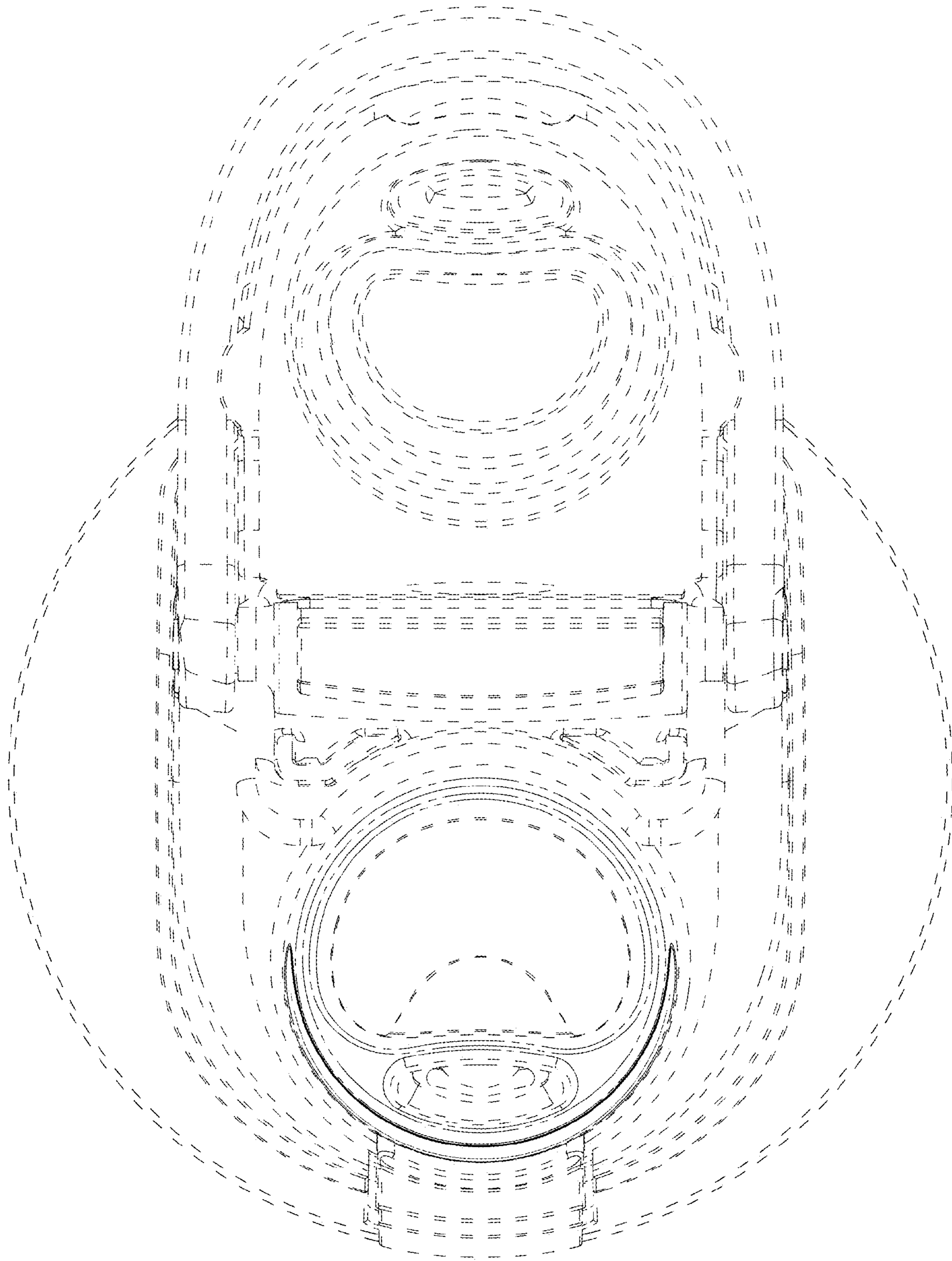


FIG. 7

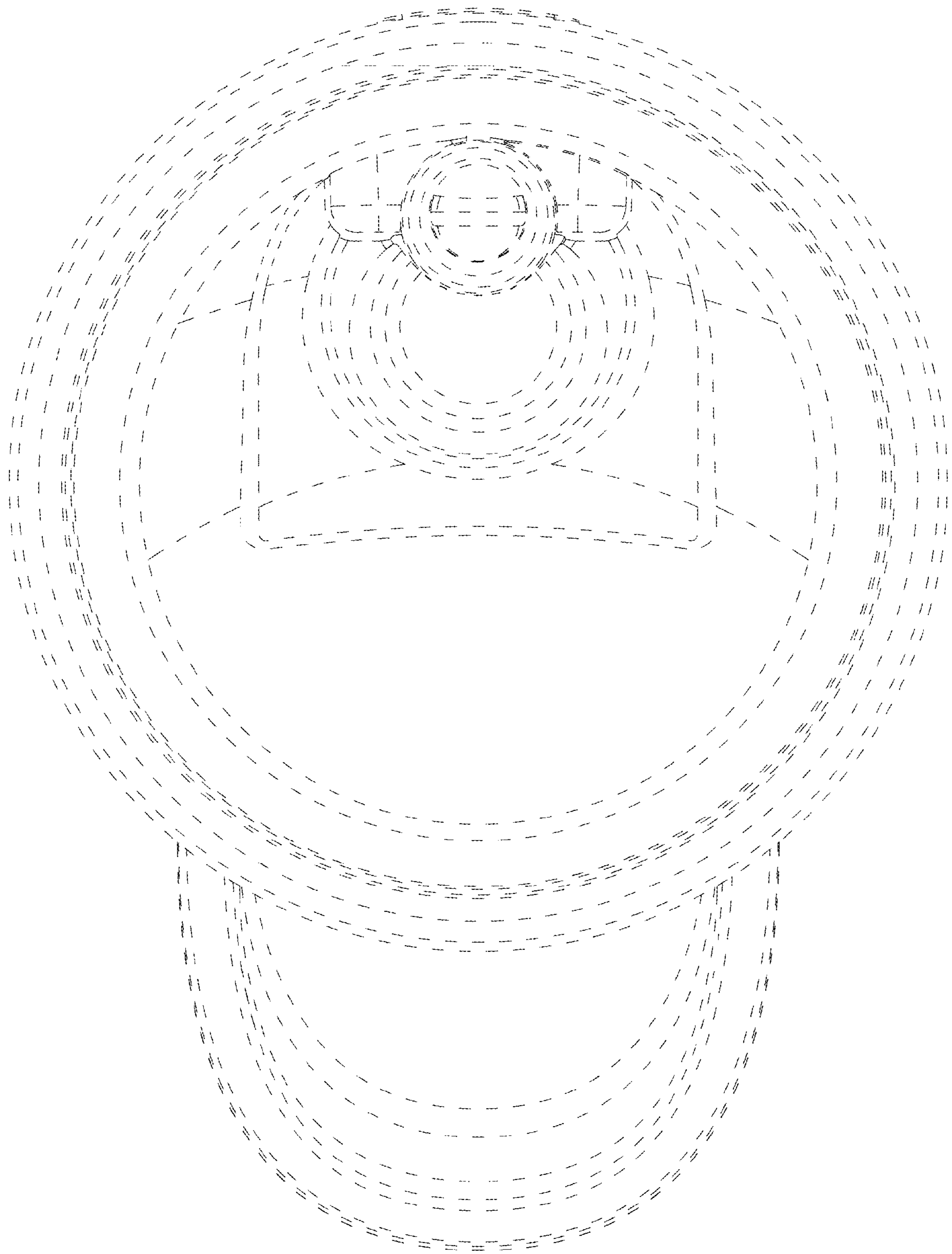


FIG. 8