



US00D911103S

(12) **United States Design Patent** (10) **Patent No.:** **US D911,103 S**
Vogt (45) **Date of Patent:** **** Feb. 23, 2021**

(54) **BEVERAGE DISPENSER WITH AN ILLUMINATED DISPLAY**

DESCRIPTION

- (71) Applicant: **Coravin, Inc.**, Bedford, MA (US)
- (72) Inventor: **Chris Vogt**, Somerville, MA (US)
- (73) Assignee: **Coravin, Inc.**, Bedford, MA (US)
- (**) Term: **15 Years**
- (21) Appl. No.: **29/662,058**
- (22) Filed: **Aug. 31, 2018**
- (51) **LOC (13) Cl.** **07-99**
- (52) **U.S. Cl.**
USPC **D7/397; D7/300; D7/665**
- (58) **Field of Classification Search**
USPC **D7/397-401, 309-311, 306, 605, 392.1, D7/396.2, 316-319, 300, 665, 312, 313; D8/42; D9/447, 448; D26/60, 65**
(Continued)

(56) **References Cited**

U.S. PATENT DOCUMENTS

- D514,570 S * 2/2006 Ohta D14/384
 - D572,678 S * 7/2008 Fujiki D14/126
- (Continued)

OTHER PUBLICATIONS

- CNET, The Coravin Model 11, Jan. 9, 2018, Youtube, https://www.youtube.com/watch?v=LIORvj_ch30 (Year: 2018).*
- U.S. Appl. No. 29/662,060, filed Aug. 31, 2018, Vogt et al.
- U.S. Appl. No. 29/662,064, filed Aug. 31, 2018, Vogt et al.

Primary Examiner — Brett Miller
(74) *Attorney, Agent, or Firm* — Wolf, Greenfield & Sacks, P.C.

(57) **CLAIM**

The ornamental design for a beverage dispenser with an illuminated display, as shown and described.

FIG. 1 is a top plan view showing a first state in a sequence of a beverage dispenser with an illuminated display showing our new design;

FIG. 2 is a top plan view showing a second state thereof;

FIG. 3 is a top plan view showing a third state thereof;

FIG. 4 is a top plan view showing a fourth state thereof;

FIG. 5 is a top plan view showing a fifth state thereof;

FIG. 6 is a top plan view showing a sixth state thereof;

FIG. 7 is a top plan view showing a seventh state thereof;

FIG. 8 is a top plan view showing an eighth state thereof;

FIG. 9 is a top plan view showing a ninth state thereof;

FIG. 10 is a top plan view showing a tenth state thereof;

FIG. 11 is a top plan view showing an eleventh state thereof;

FIG. 12 is a top, left side perspective view showing the first state thereof;

FIG. 13 is a top, right side perspective view showing the first state thereof;

FIG. 14 is a top, left side perspective view showing the second state thereof;

FIG. 15 is a top, right side perspective view showing the second state thereof;

FIG. 16 is a top, left side perspective view showing the third state thereof;

FIG. 17 is a top, right side perspective view showing the third state thereof;

FIG. 18 is a top, left side perspective view showing the fourth state thereof;

FIG. 19 is a top, right side perspective view showing the fourth state thereof;

FIG. 20 is a top, left side perspective view showing the fifth state thereof;

FIG. 21 is a top, right side perspective view showing the fifth state thereof;

FIG. 22 is a top, left side perspective view showing the sixth state thereof;

FIG. 23 is a top, right side perspective view showing the sixth state thereof;

FIG. 24 is a top, left side perspective view showing the seventh state thereof;

FIG. 25 is a top, right side perspective view showing the seventh state thereof;

(Continued)

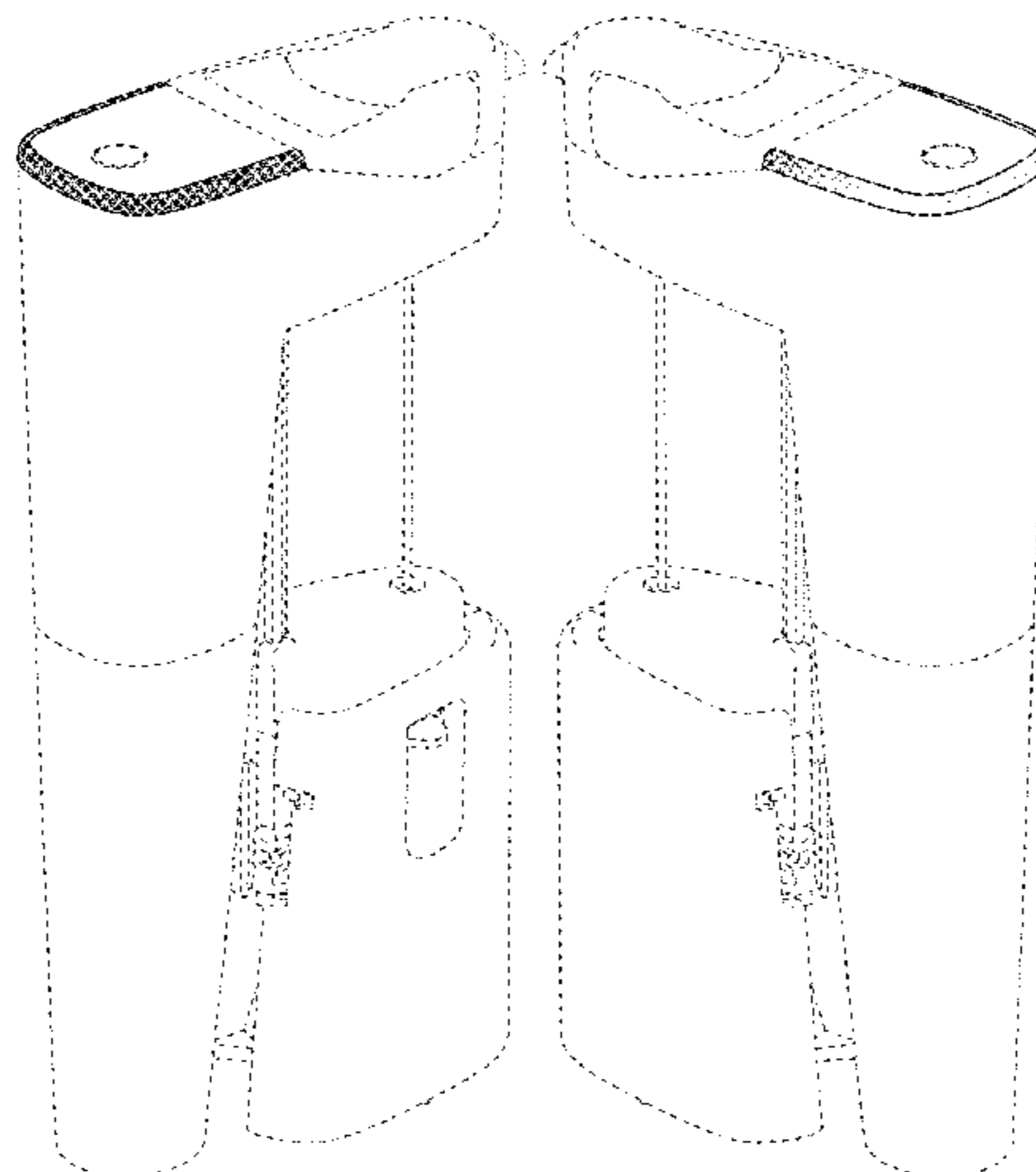


FIG. 26 is a top, left side perspective view showing the eighth state thereof;
 FIG. 27 is a top, right side perspective view showing the eighth state thereof;
 FIG. 28 is a top, left side perspective view showing the ninth state thereof;
 FIG. 29 is a top, right side perspective view showing the ninth state thereof;
 FIG. 30 is a top, left side perspective view showing the tenth state thereof;
 FIG. 31 is a top, right side perspective view showing the tenth state thereof;
 FIG. 32 is a top, left side perspective view showing the eleventh state thereof; and,
 FIG. 33 is a top, right side perspective view showing the eleventh state thereof.
 The appearance of the beverage dispenser sequentially transitions from the first state through the eleventh state. The process or period in which the appearance transitions forms no part of the claimed design. The stippling represents illumination, and the density of the stippling varies with the brightness of the illumination. Dense stippling represents brighter illumination than less dense stippling.
 The broken lines represent portions of the beverage dispenser which form no part of the claimed design.

1 Claim, 14 Drawing Sheets

(58) **Field of Classification Search**
 CPC B67D 1/0412
 See application file for complete search history.

(56) **References Cited**

U.S. PATENT DOCUMENTS

D576,619	S	*	9/2008	Udagawa	D14/435.1
D636,917	S	*	4/2011	Nelson	D26/60
D638,659	S	*	5/2011	Martindale	D7/398
D674,524	S	*	1/2013	Davies	D26/28
D753,851	S	*	4/2016	Denninger	D26/2
D760,014	S	*	6/2016	Koszylko	D7/352
D779,718	S	*	2/2017	Shiening Wang	D26/142
D812,971	S	*	3/2018	Moon, II	D7/397
D823,429	S	*	7/2018	Wood	D23/208
D831,215	S	*	10/2018	Bak	D24/158
D838,359	S	*	1/2019	Boyaval	D24/112
D868,009	S	*	11/2019	Dimberg	D13/174
D868,521	S	*	12/2019	Stropkay	D7/306
D869,217	S	*	12/2019	Stropkay	D7/306
D869,231	S	*	12/2019	Stropkay	D7/397
D872,713	S	*	1/2020	Courtney	D14/230
D877,563	S	*	3/2020	Cauwood	D7/397
D878,152	S	*	3/2020	McDonald	D7/398
D879,533	S	*	3/2020	Liuzza	D7/306
2014/0102310	A1	*	4/2014	Aardenburg	A47J 31/3676 99/295

* cited by examiner

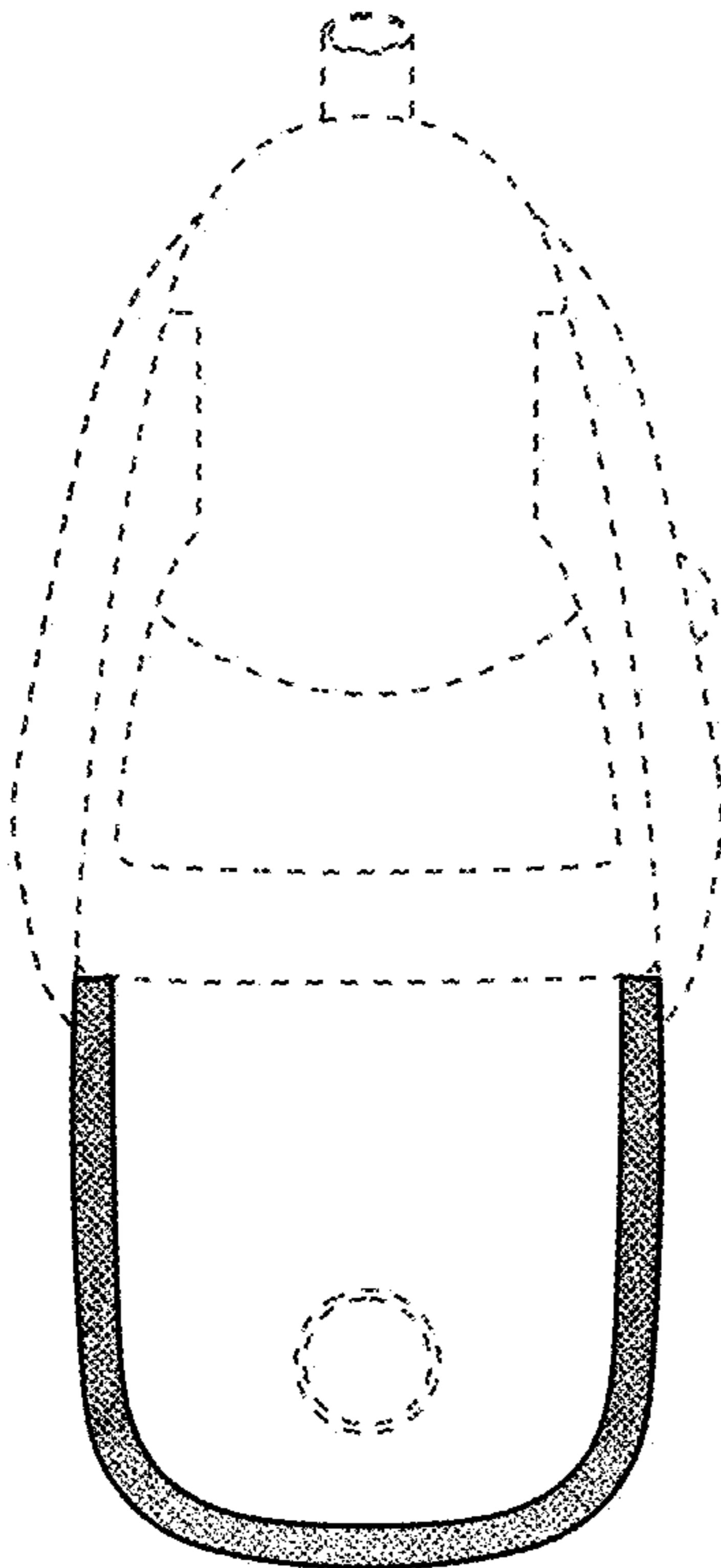


FIG. 1

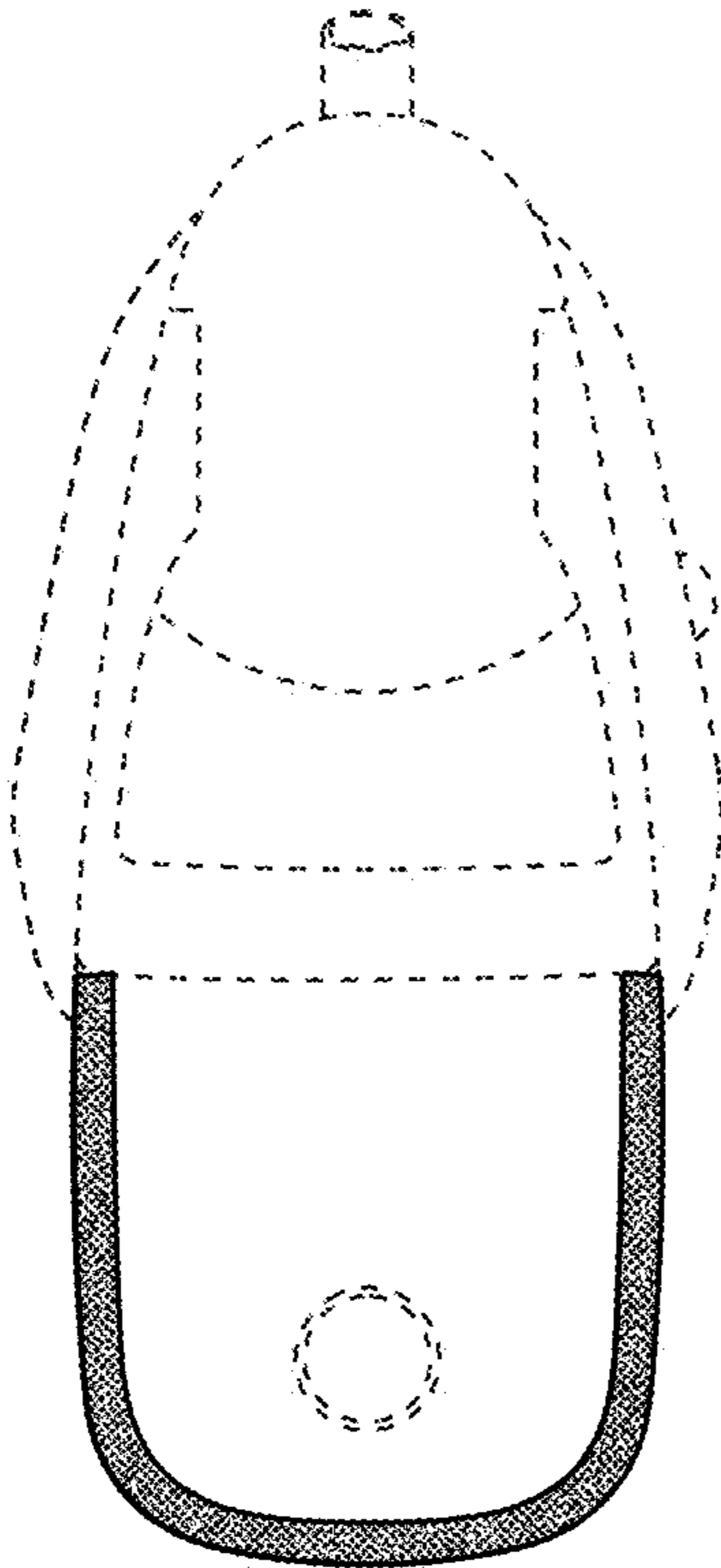


FIG. 2

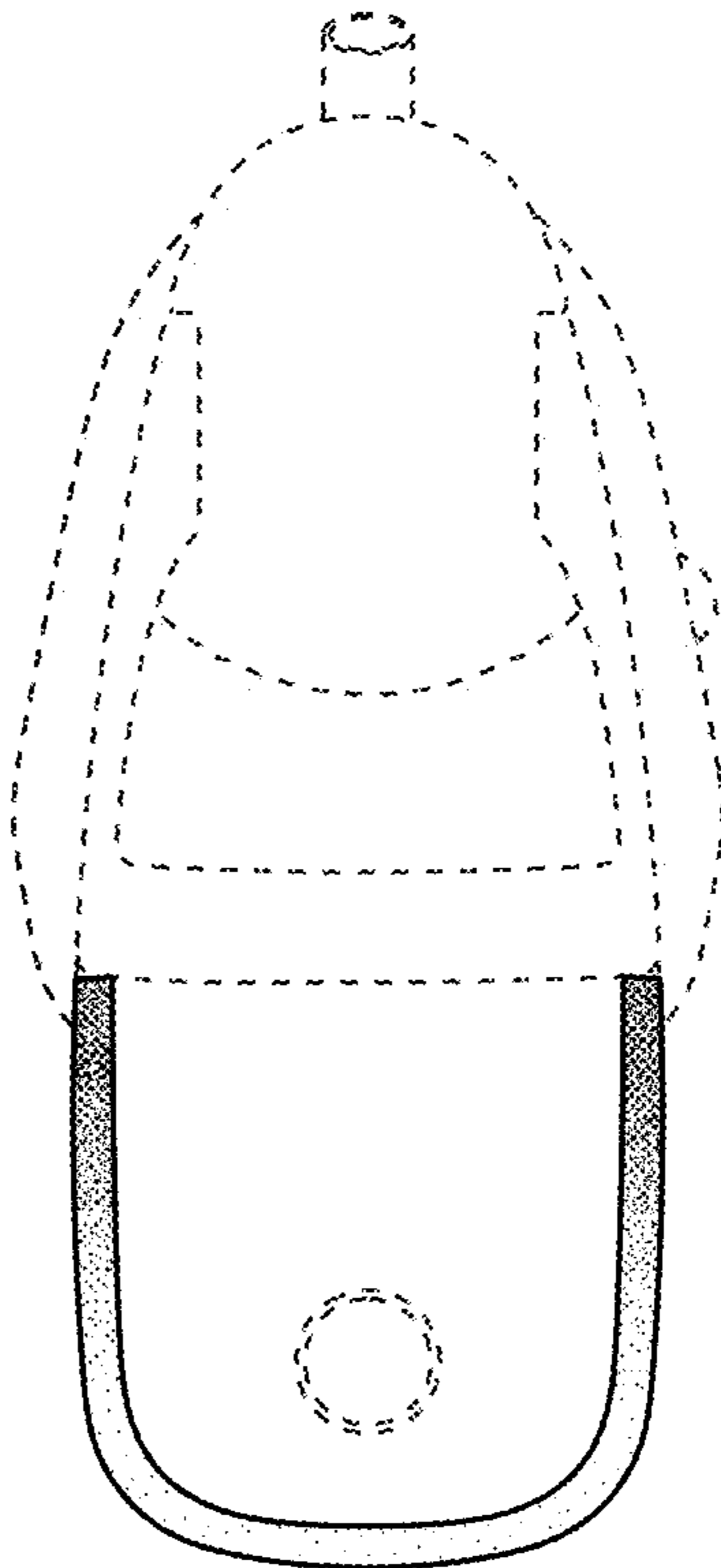


FIG. 3

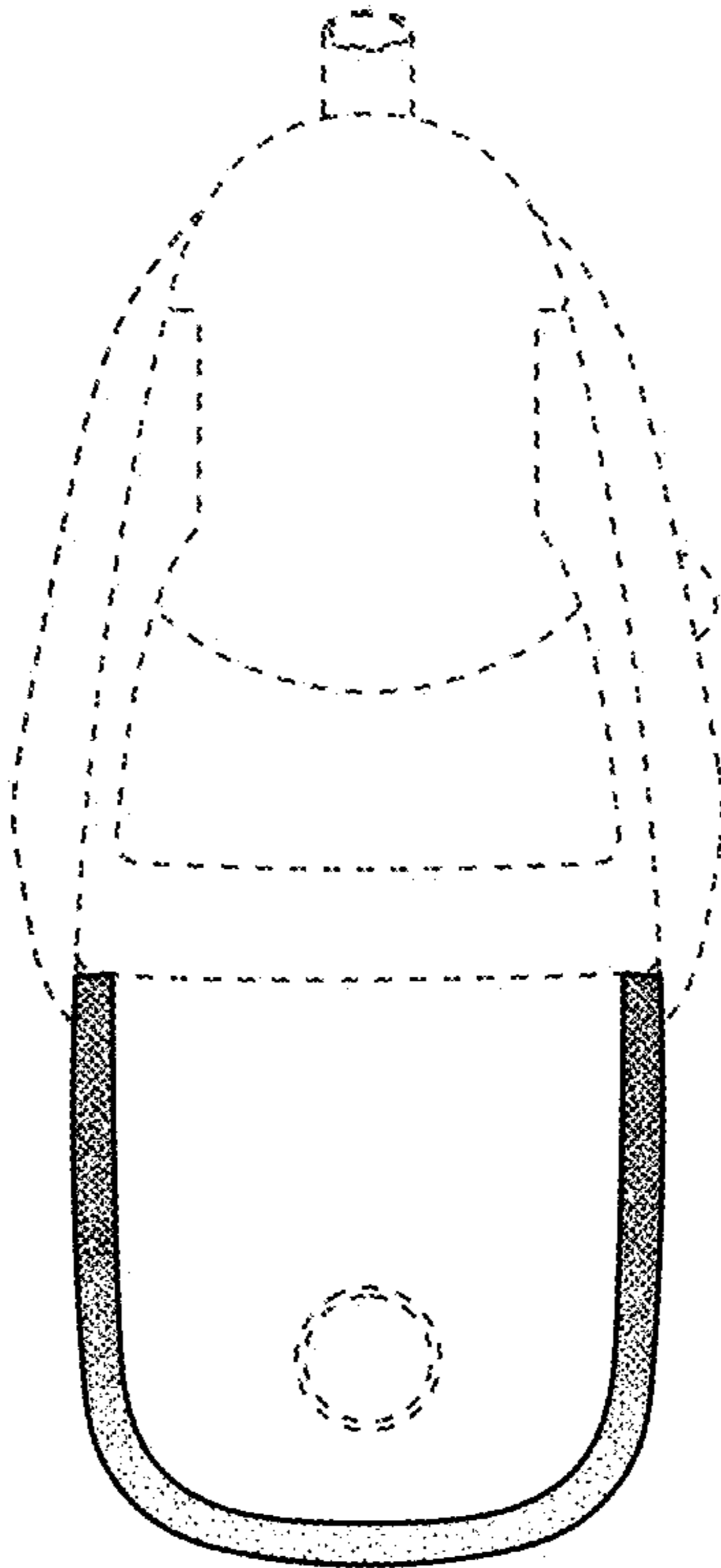


FIG. 4

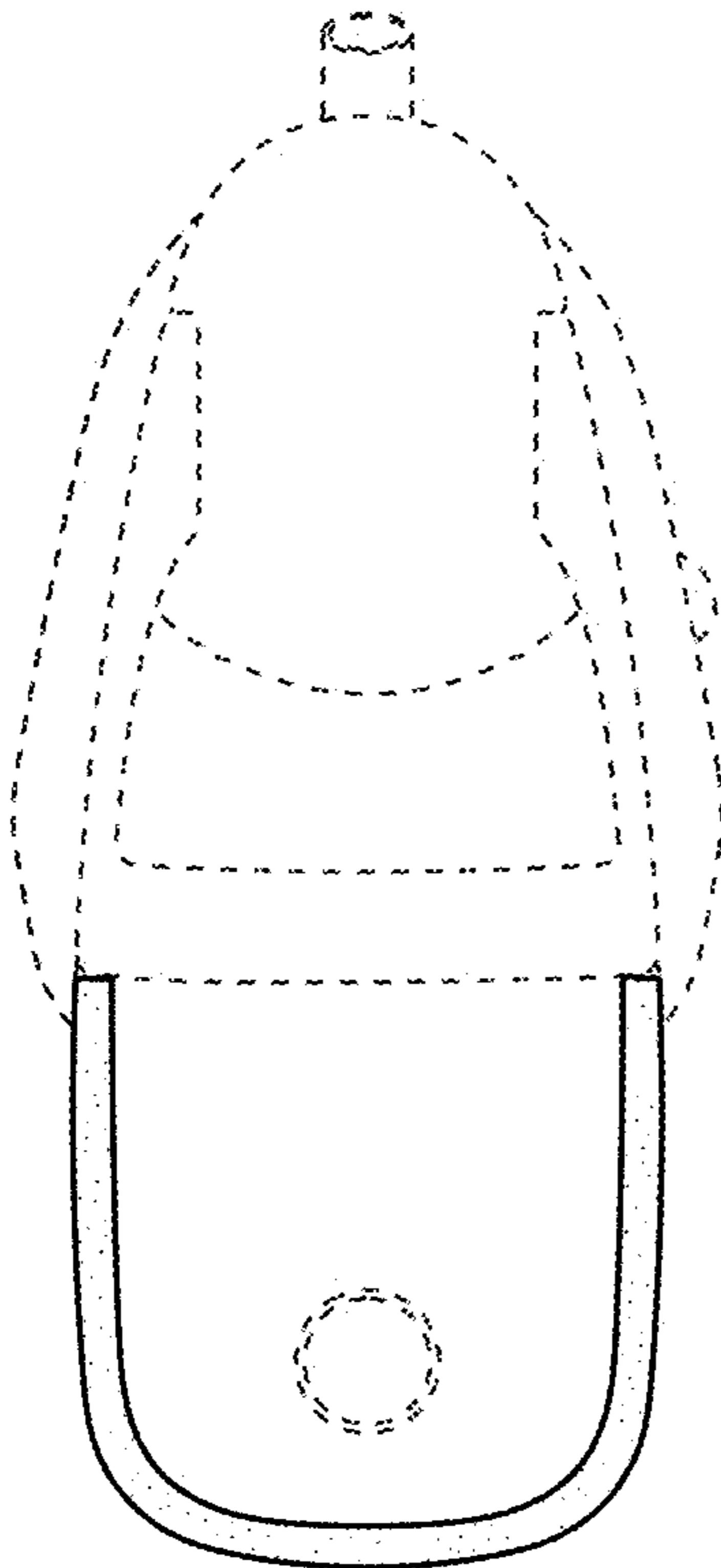


FIG. 5

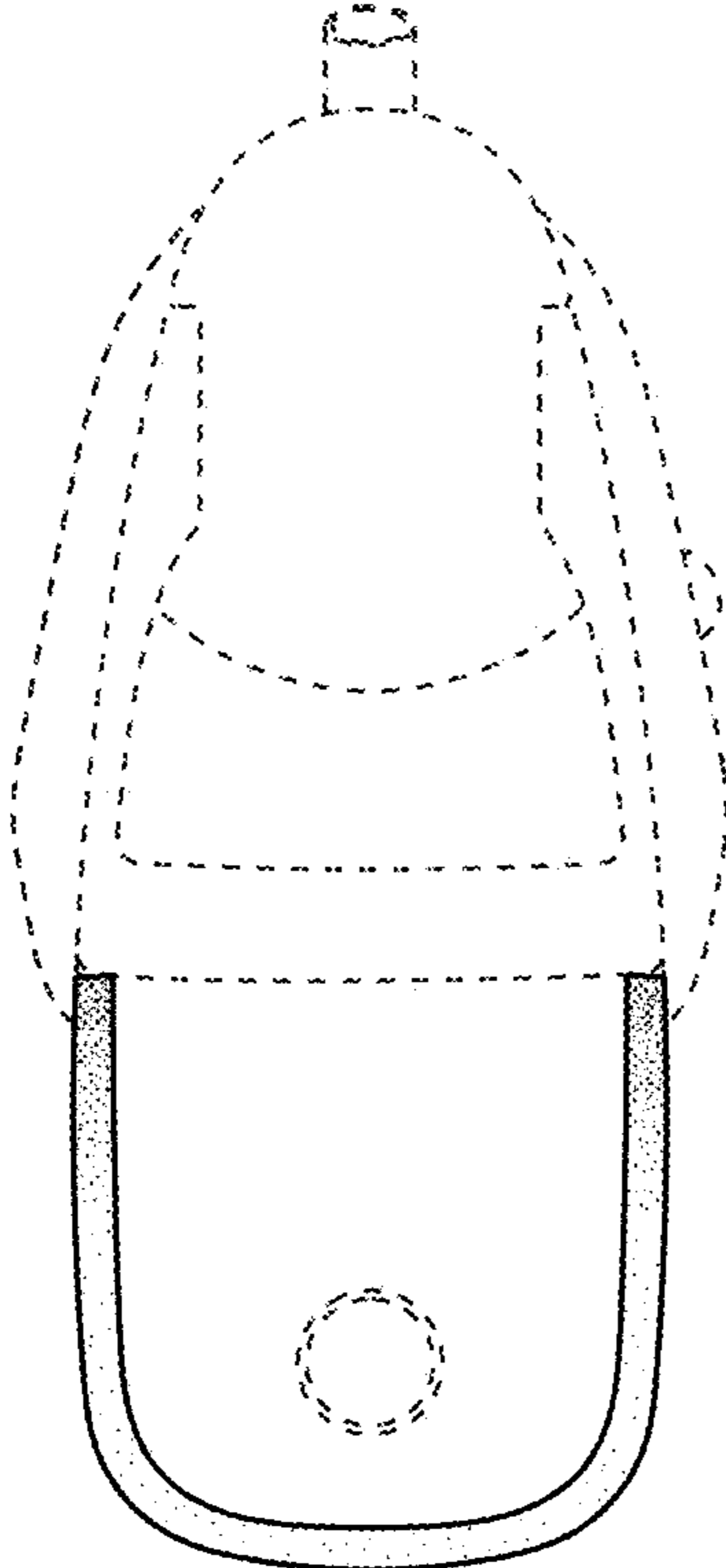


FIG. 6

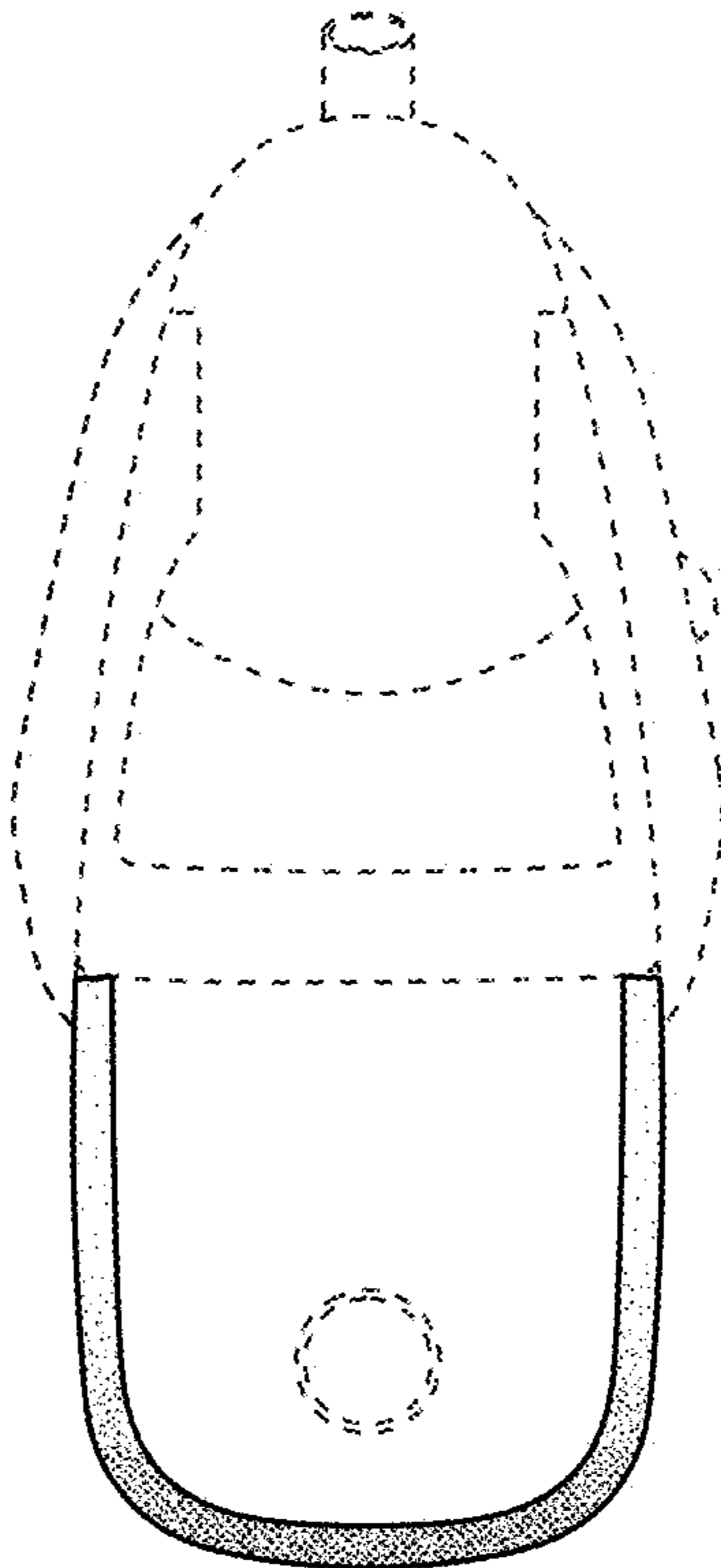


FIG. 7

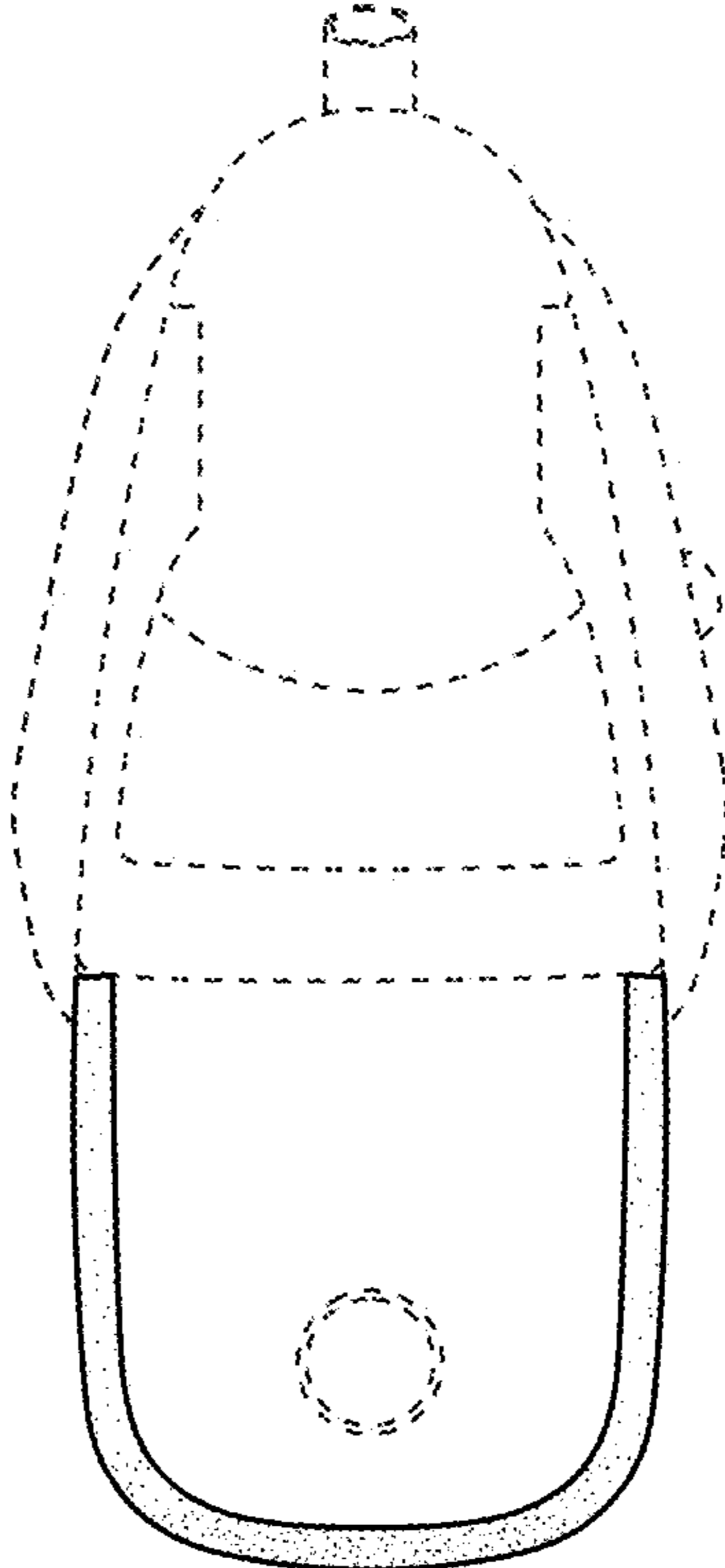


FIG. 8

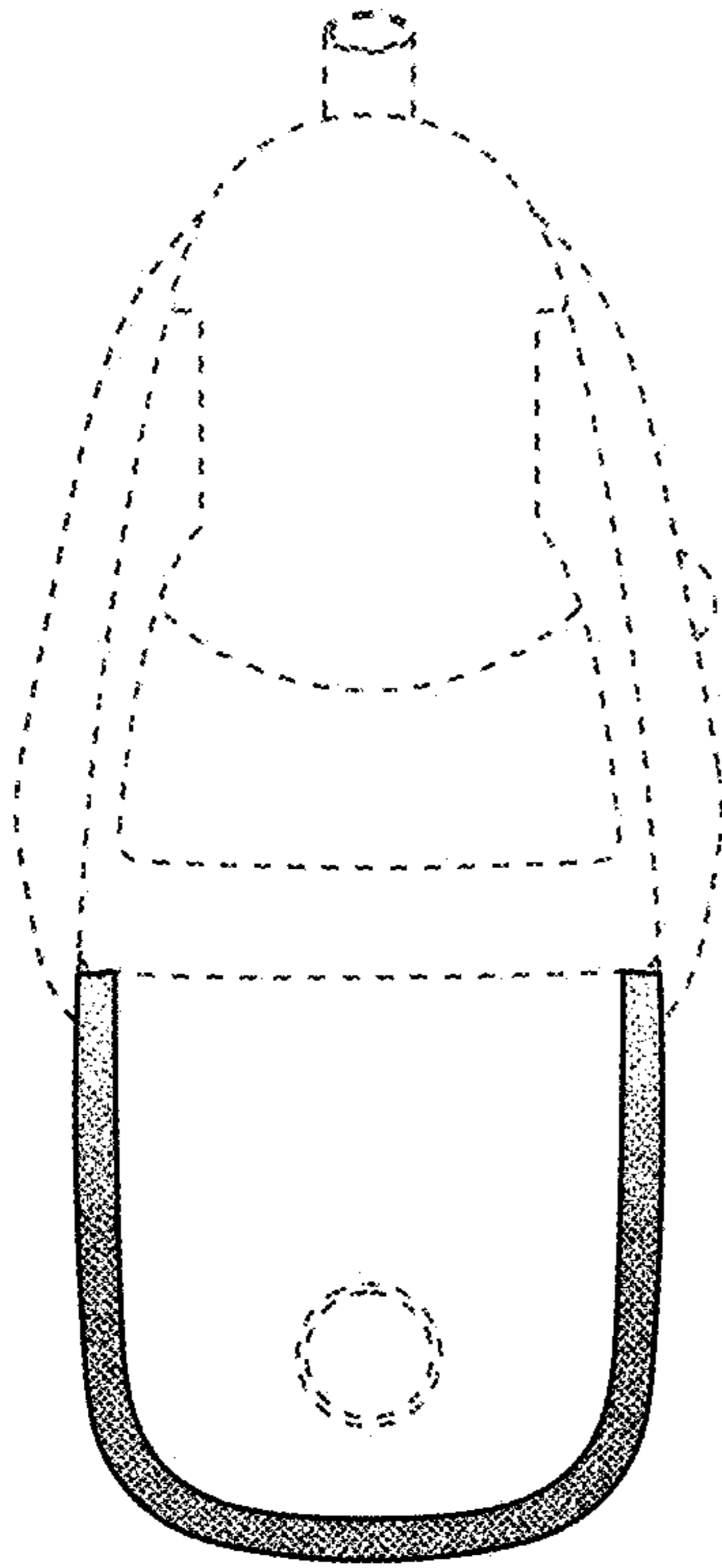


FIG. 9

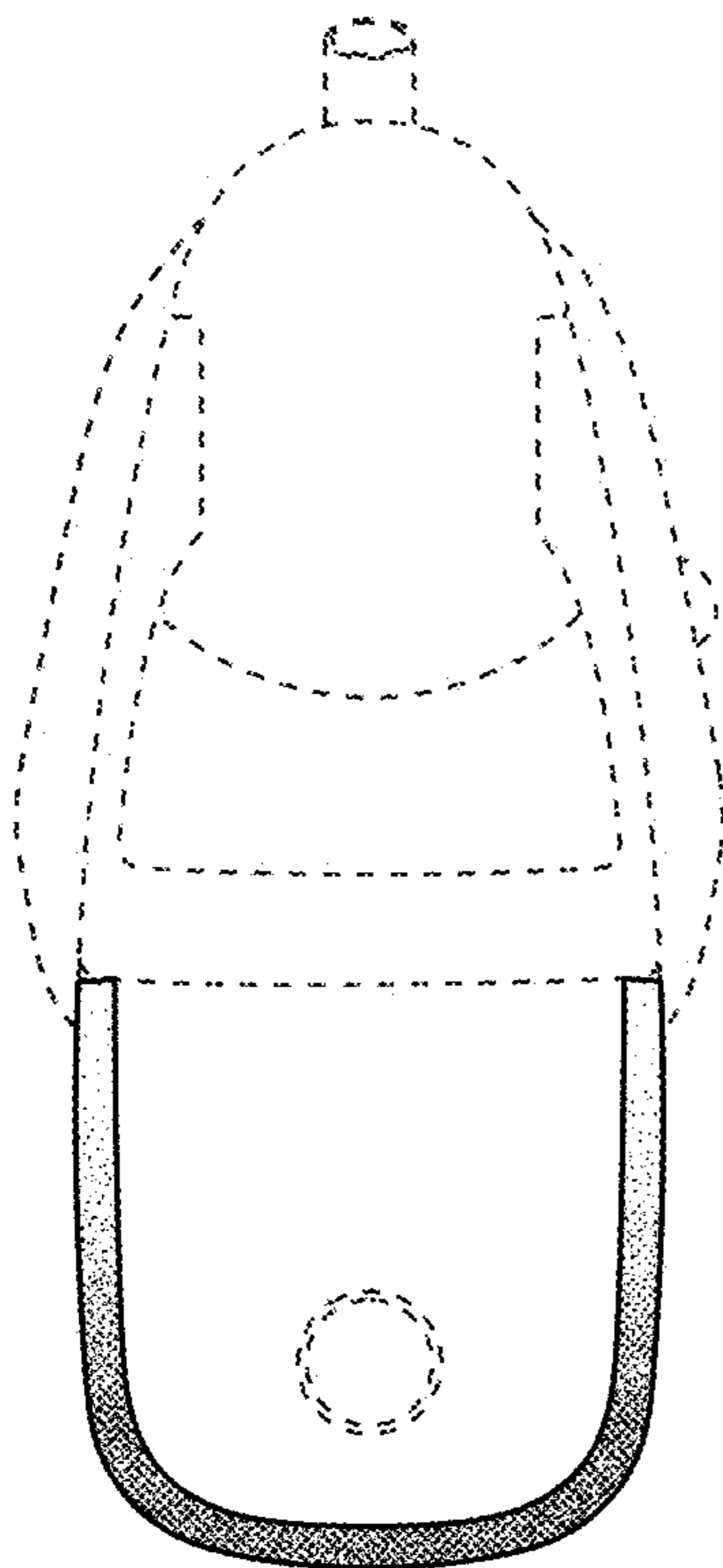


FIG. 10

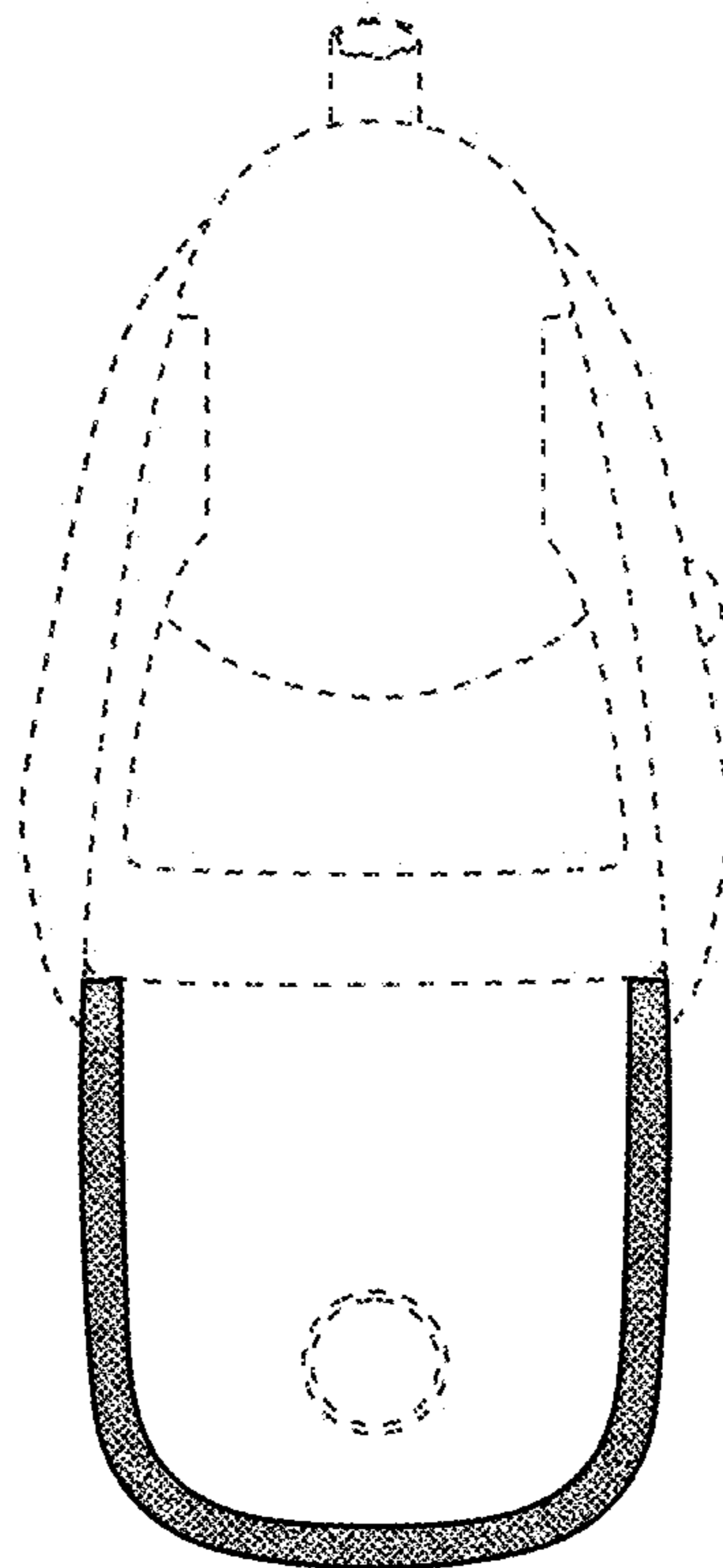


FIG. 11

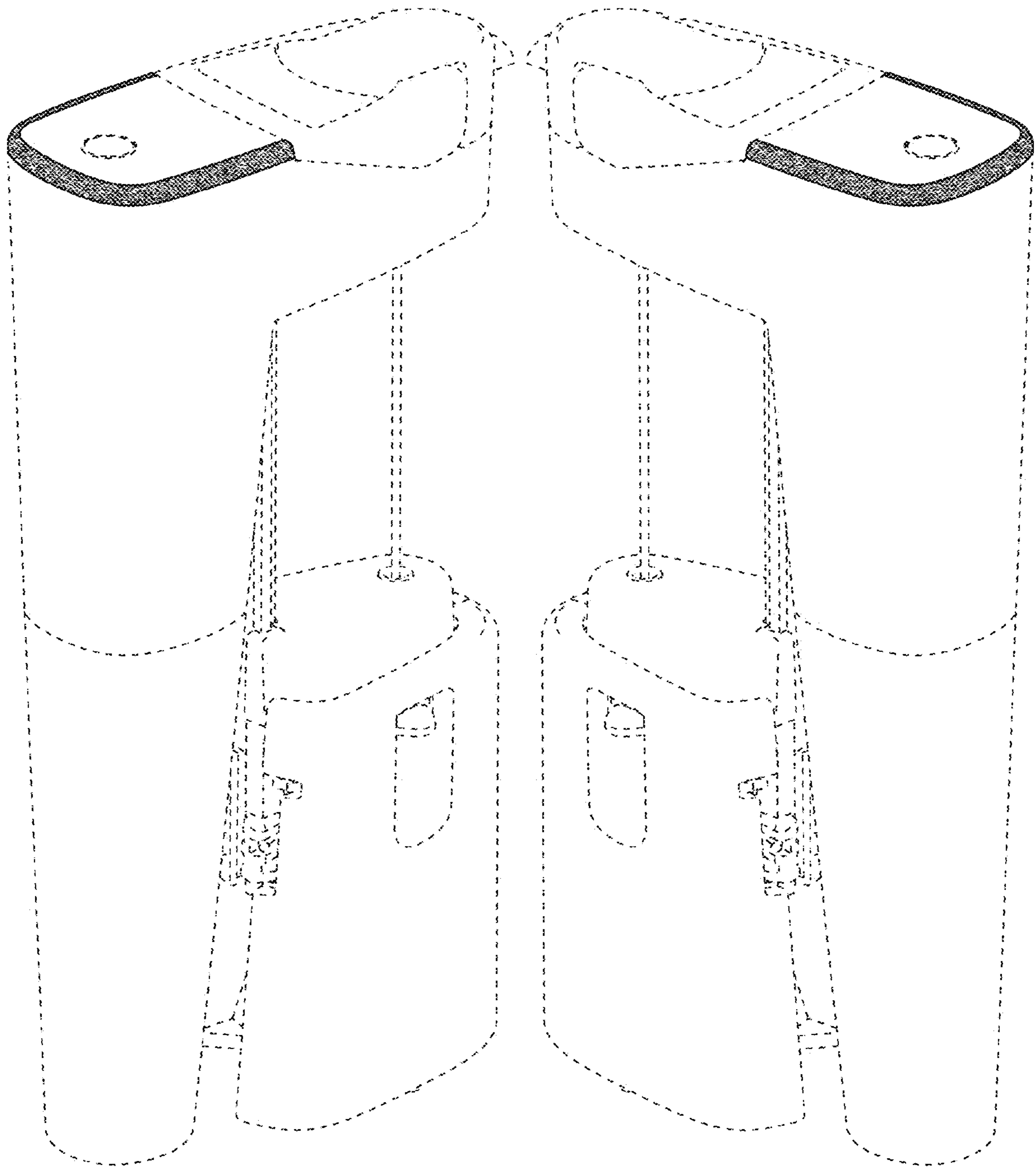


FIG. 12

FIG. 13

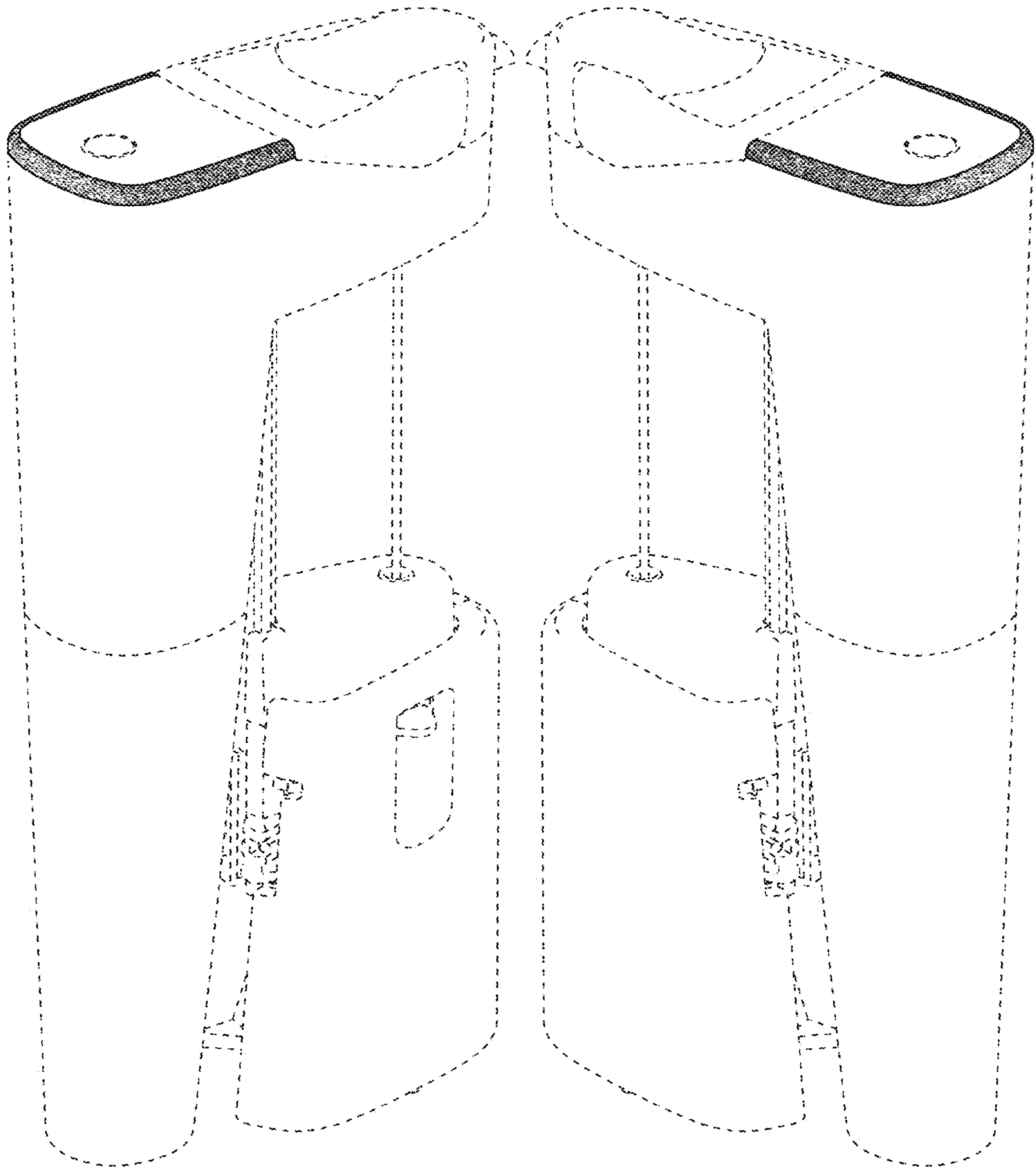


FIG. 14

FIG. 15

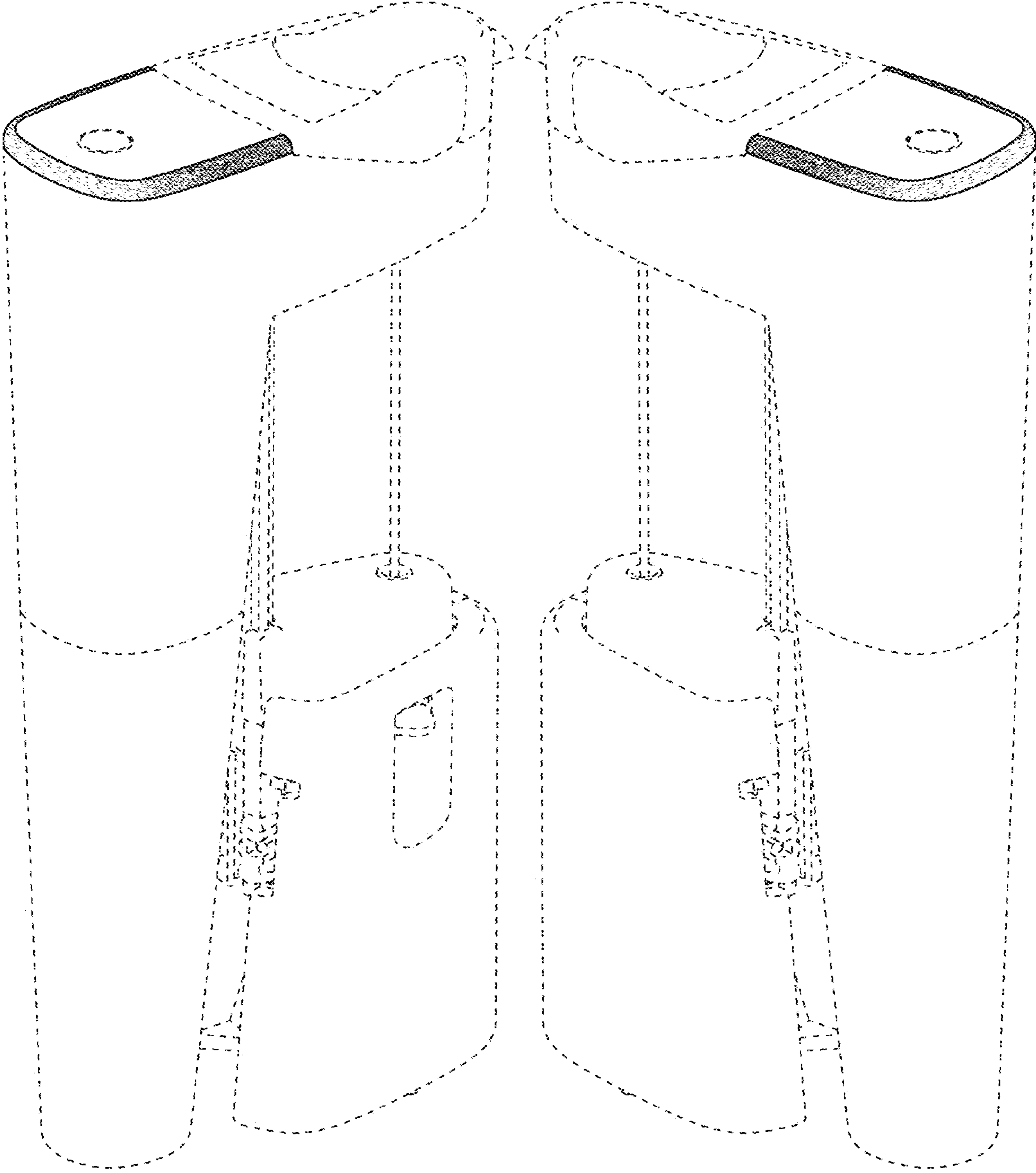


FIG. 16

FIG. 17

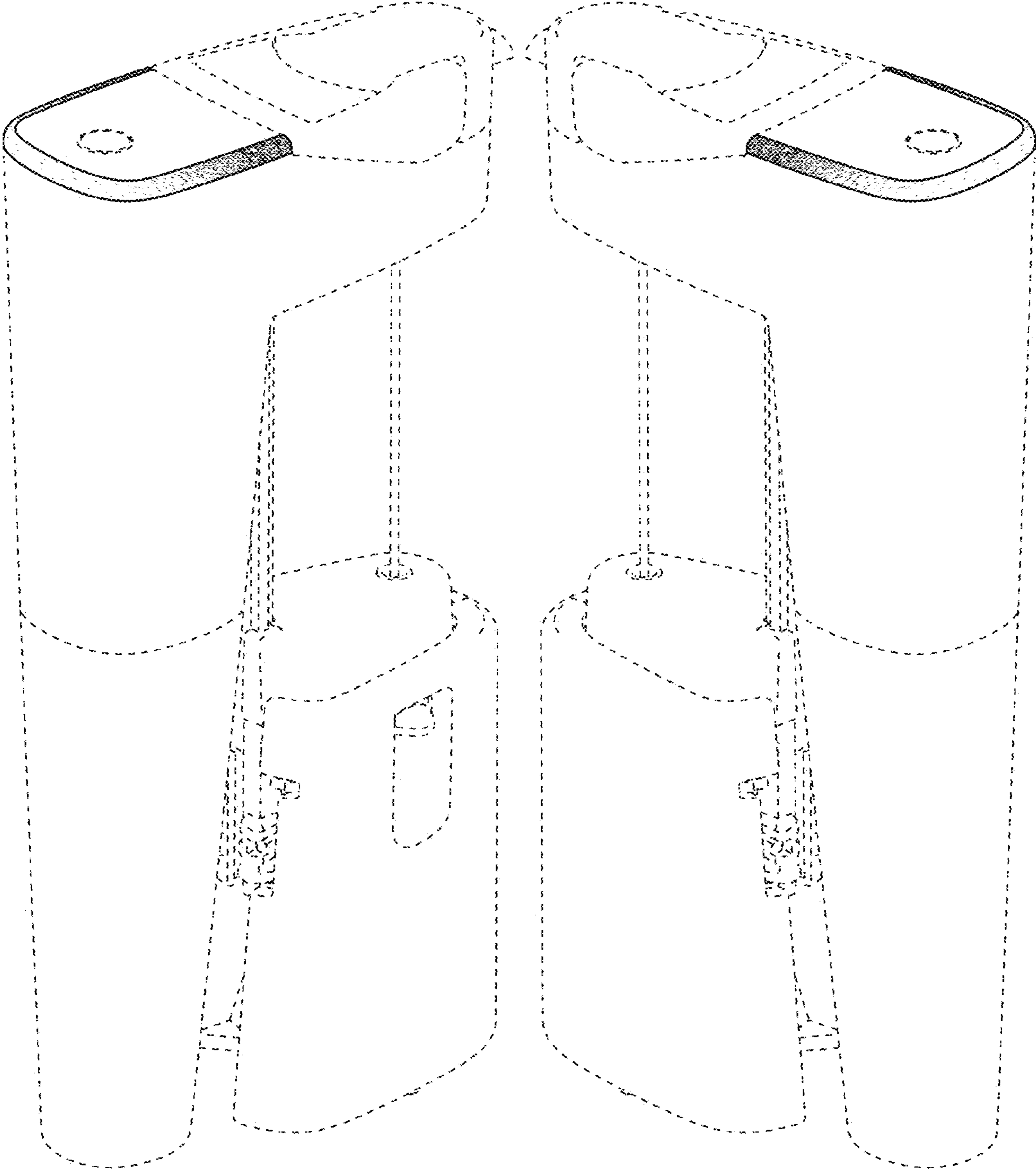


FIG. 18

FIG. 19

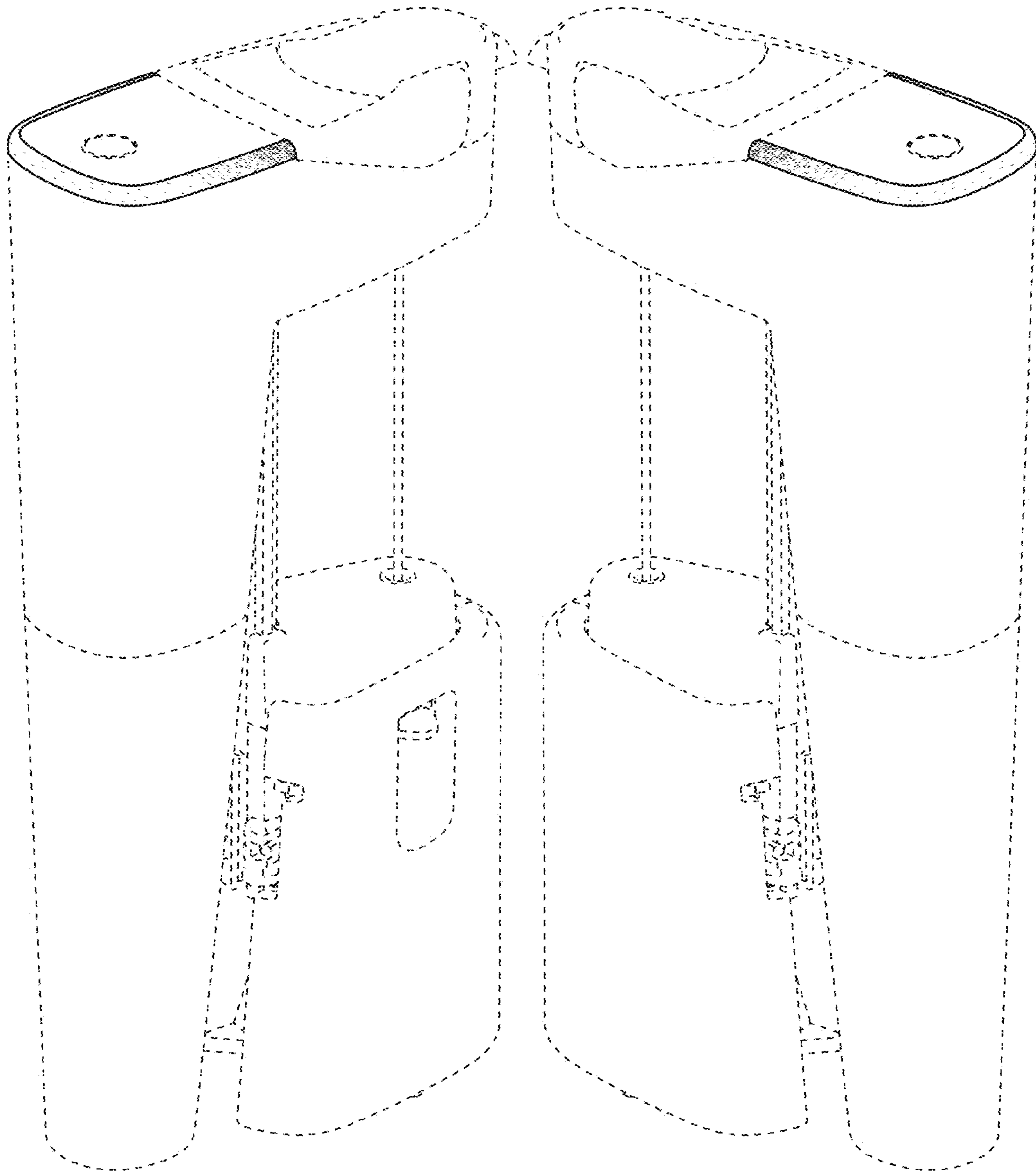


FIG. 20

FIG. 21

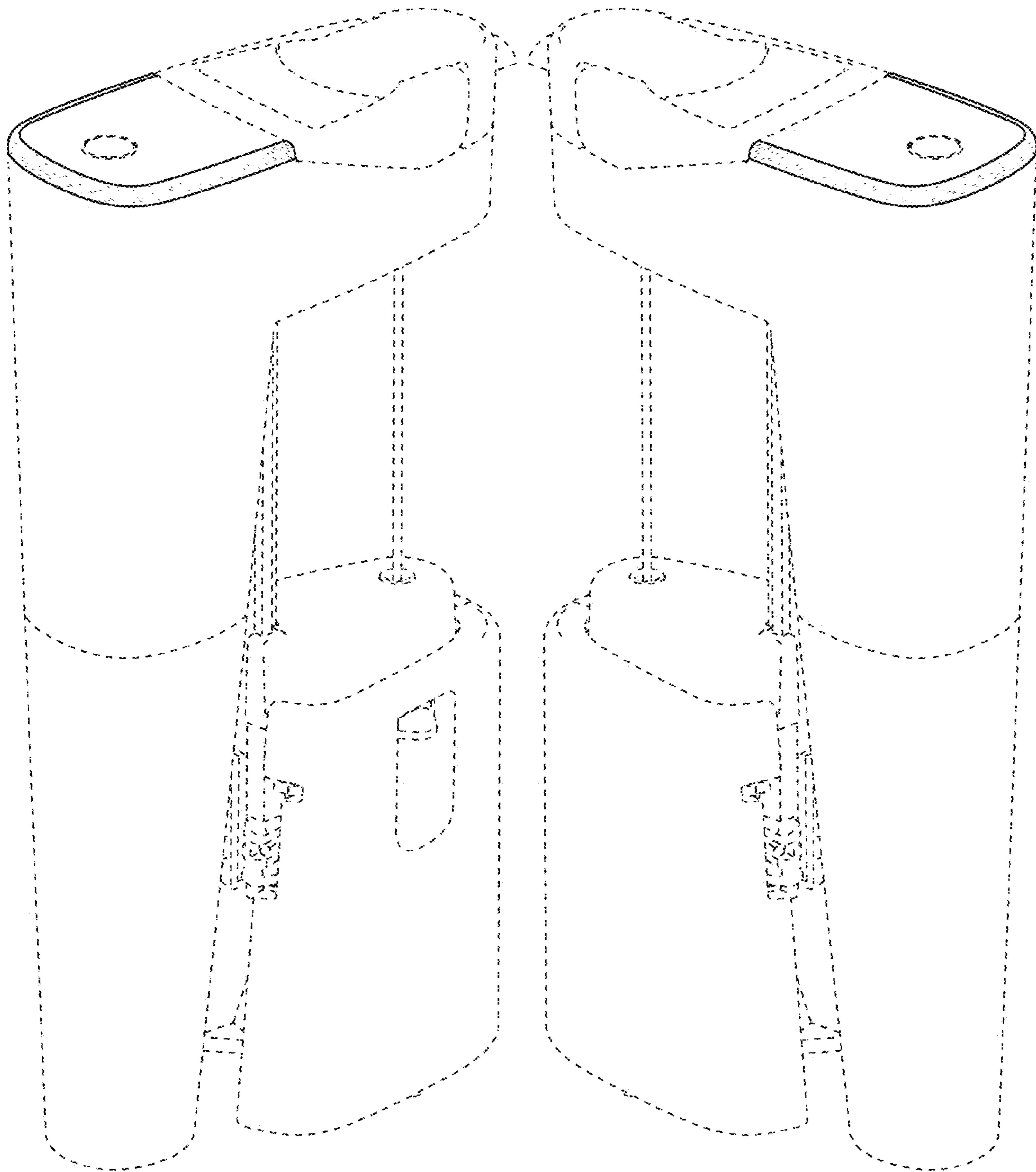


FIG. 22

FIG. 23

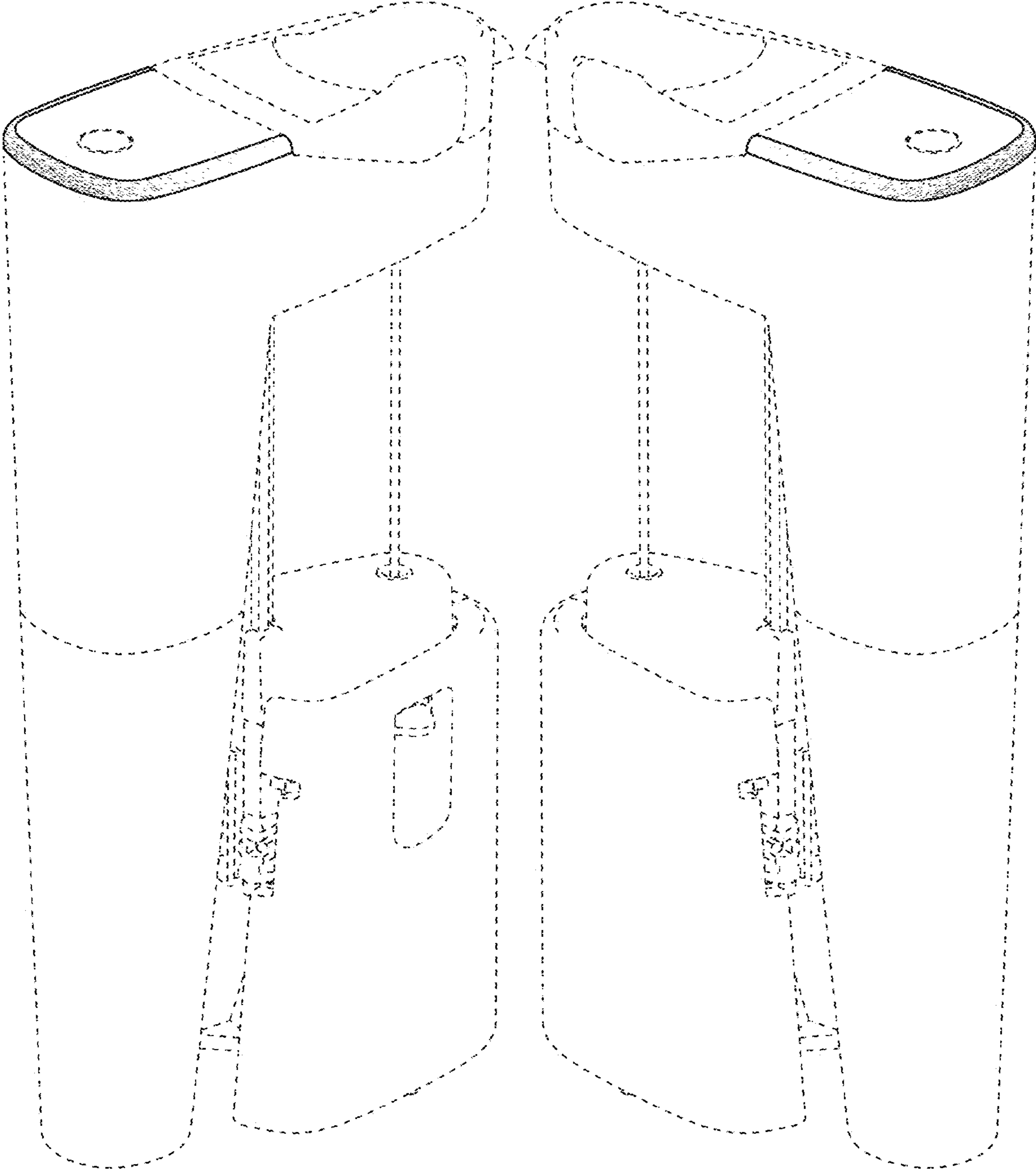


FIG. 24

FIG. 25

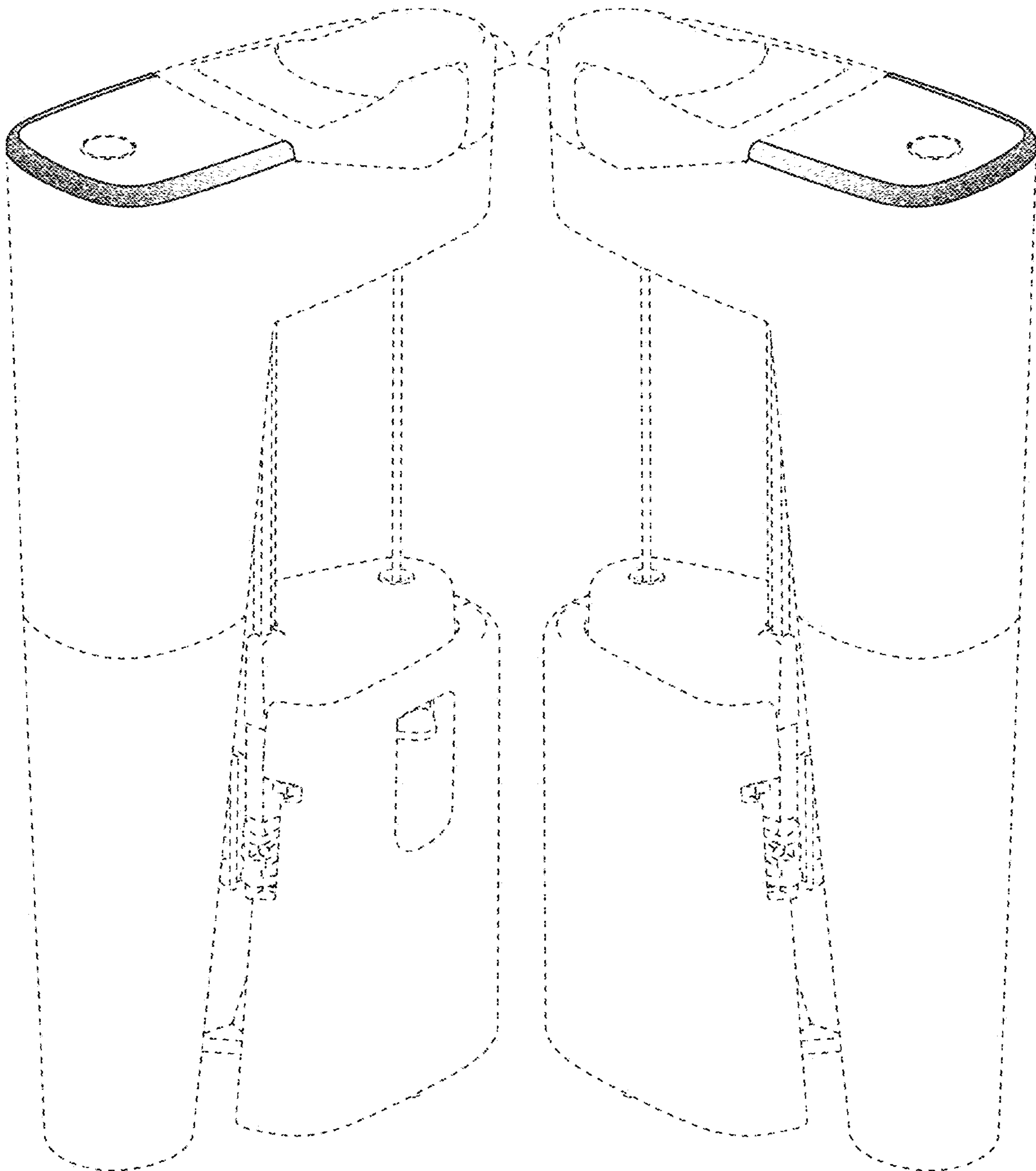


FIG. 26

FIG. 27

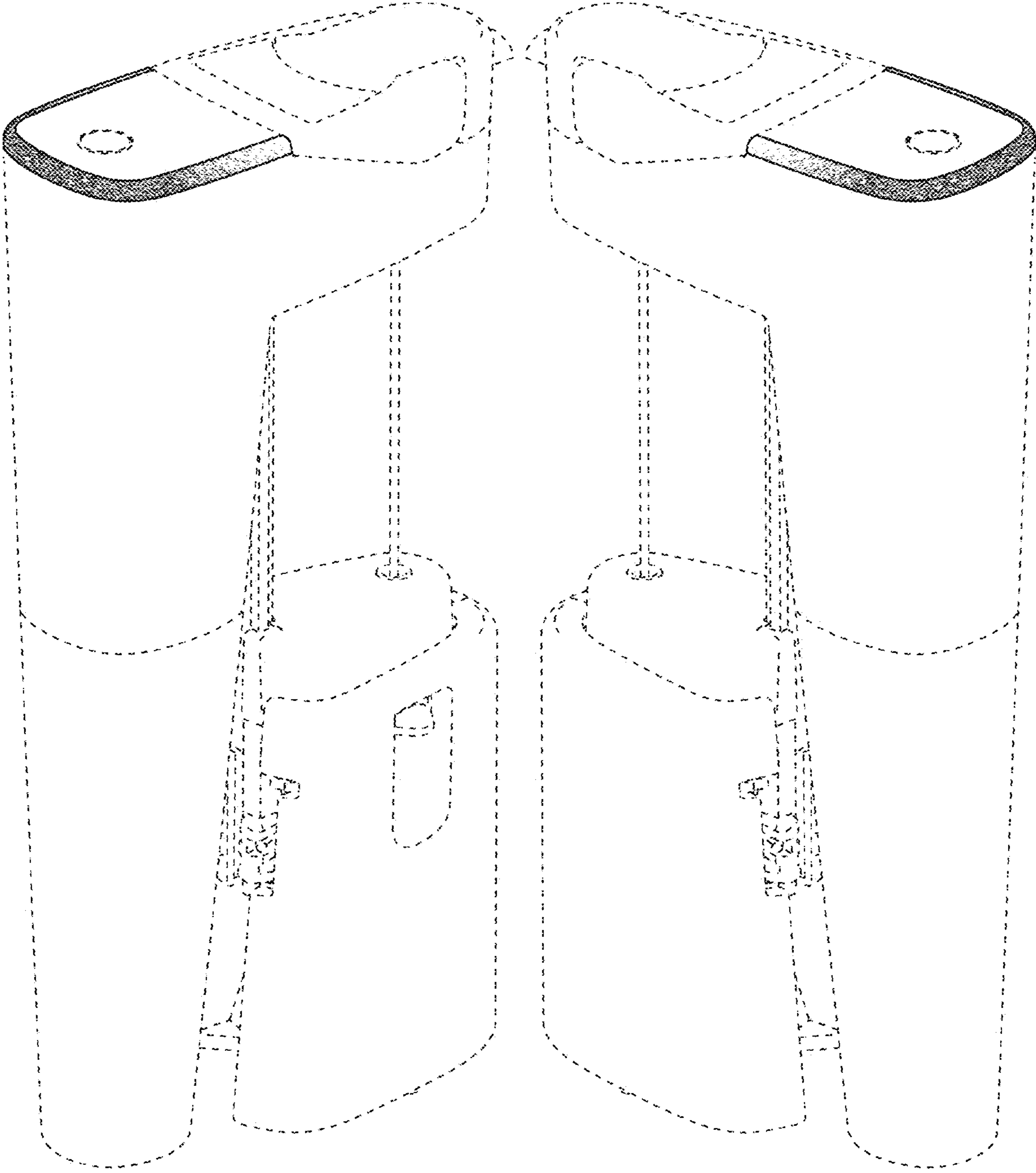


FIG. 28

FIG. 29

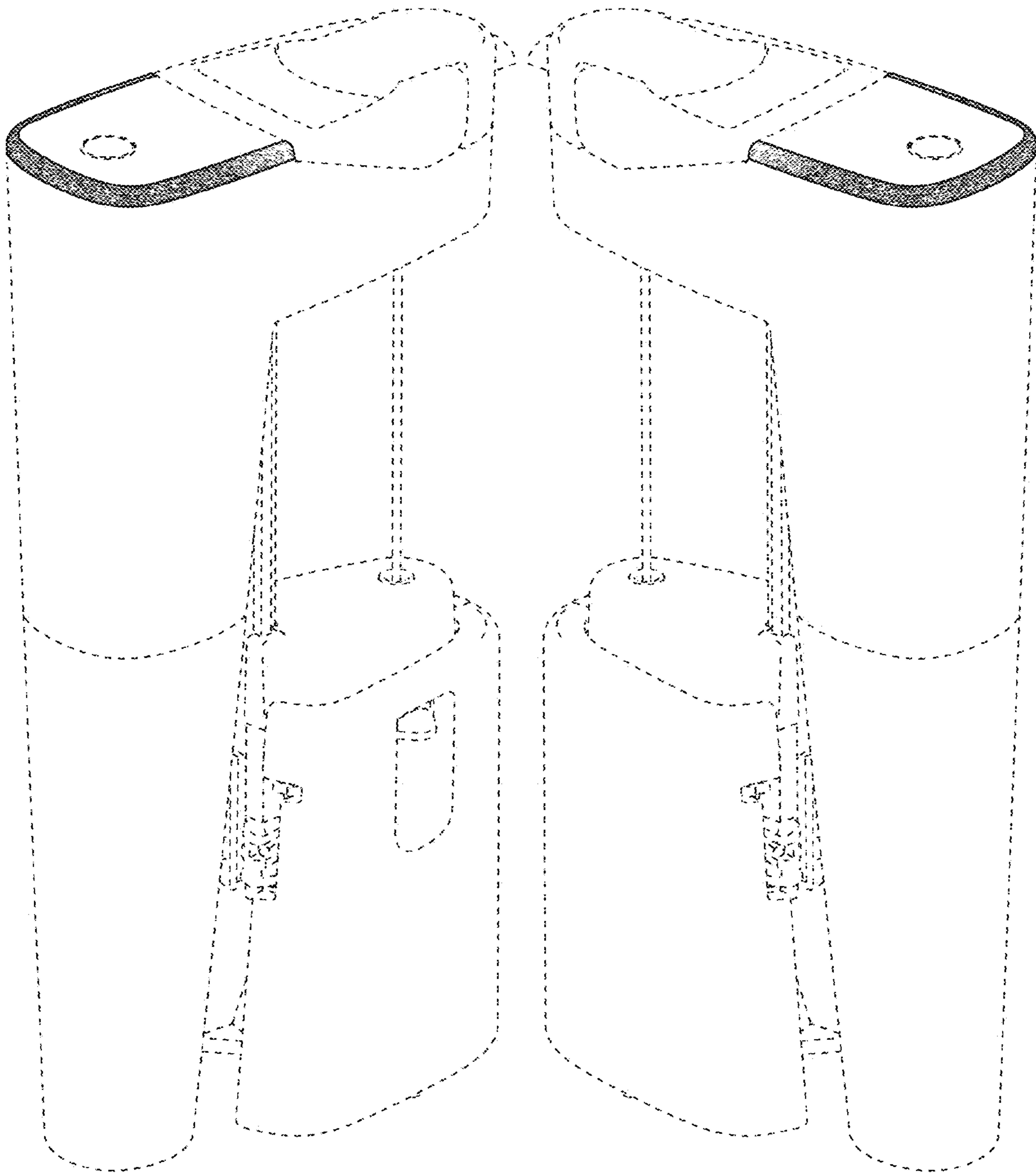


FIG. 30

FIG. 31

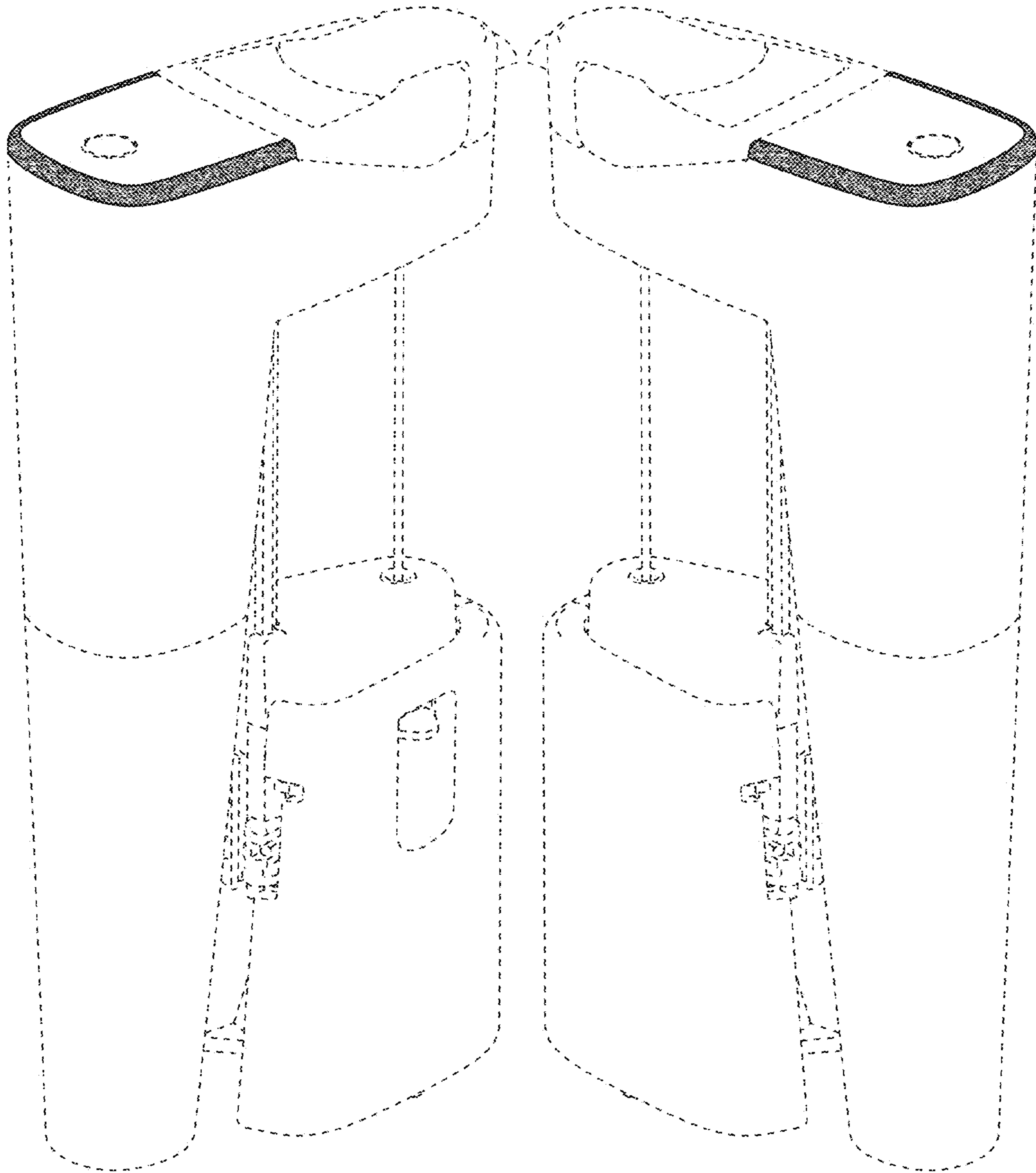


FIG. 32

FIG. 33