



US00D911102S

(12) **United States Design Patent**  
**Öztürk**

(10) **Patent No.:** **US D911,102 S**

(45) **Date of Patent:** **\*\* Feb. 23, 2021**

(54) **LID FOR CANS**

(71) Applicant: **Wrap4You GmbH Co KG**, Bürs (AT)

(72) Inventor: **Ismail Öztürk**, Bludenz (AT)

(73) Assignee: **Wrap4You GmbH Co KG**, Buers (AT)

(\*\*) Term: **15 Years**

(21) Appl. No.: **35/507,878**

(22) Filed: **Jul. 18, 2019**

(80) **Hague Agreement Data**

Int. Filing Date: **Jul. 18, 2019**

Int. Reg. No.: **DM/204201**

Int. Reg. Date: **Jul. 18, 2019**

Int. Reg. Pub. Date: **Nov. 29, 2019**

(51) **LOC (13) Cl.** ..... **07-01**

(52) **U.S. Cl.**  
USPC ..... **D7/392.1; D9/452**

(58) **Field of Classification Search**  
USPC .... D7/392.1, 396.2; D9/434, 435, 440, 447,  
D9/449, 499, 452-454  
CPC ..... A47G 21/18; A61J 7/0038; B65D  
2517/0049

See application file for complete search history.

(56) **References Cited**

**U.S. PATENT DOCUMENTS**

D256,673 S \* 9/1980 Hoyt ..... D9/443  
D770,279 S \* 11/2016 Strachan ..... D9/447  
D782,303 S \* 3/2017 Strachan ..... D9/435  
9,868,571 B2 \* 1/2018 Strachan ..... A47G 19/2272  
D871,834 S \* 1/2020 Sarnoff ..... D7/392.1

D875,525 S \* 2/2020 Griffis ..... D9/443  
D894,683 S \* 9/2020 Pola ..... D7/507  
2015/0251818 A1 \* 9/2015 Strachan ..... B65D 47/265  
220/254.8

**OTHER PUBLICATIONS**

Grainger. 7/8" Polyethylene Round Storage Container Lid, Yellow. No date specified. <https://bit.ly/3044XO6> (Year: 0).\*  
Paper Cans Packaging. 211# black round reusable plastic PE lid / cover For paper tin cans. No date specified. <http://www.papercanspackaging.com/sale-2135703-211-black-round-reusable-plastic-pe-lid-cover-for-paper-tin-cans.html> (Year: 0).\*  
Paper cans Packaging. Reusable 0.25mm Thickness PE Lid / Cylinder Or Round Plastic Tin Can Covers. No date specified. <http://papercanspackaging.sell.everychina.com/p-109030180-reusable-0-25m-thickness-pe-lid-cylinder-or-round-plastic-tin-can-covers.html> (Year: 0).\*

\* cited by examiner

*Primary Examiner* — Darcey E Gottschalk

(74) *Attorney, Agent, or Firm* — Collard & Roe, P.C.

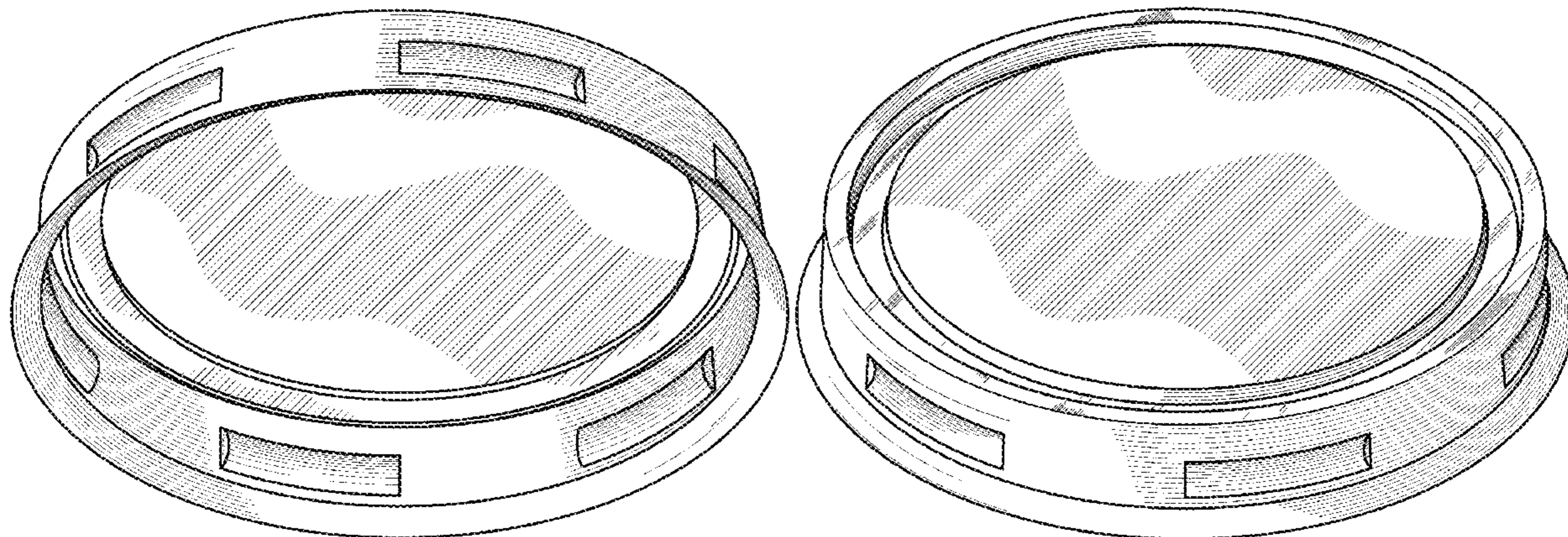
(57) **CLAIM**

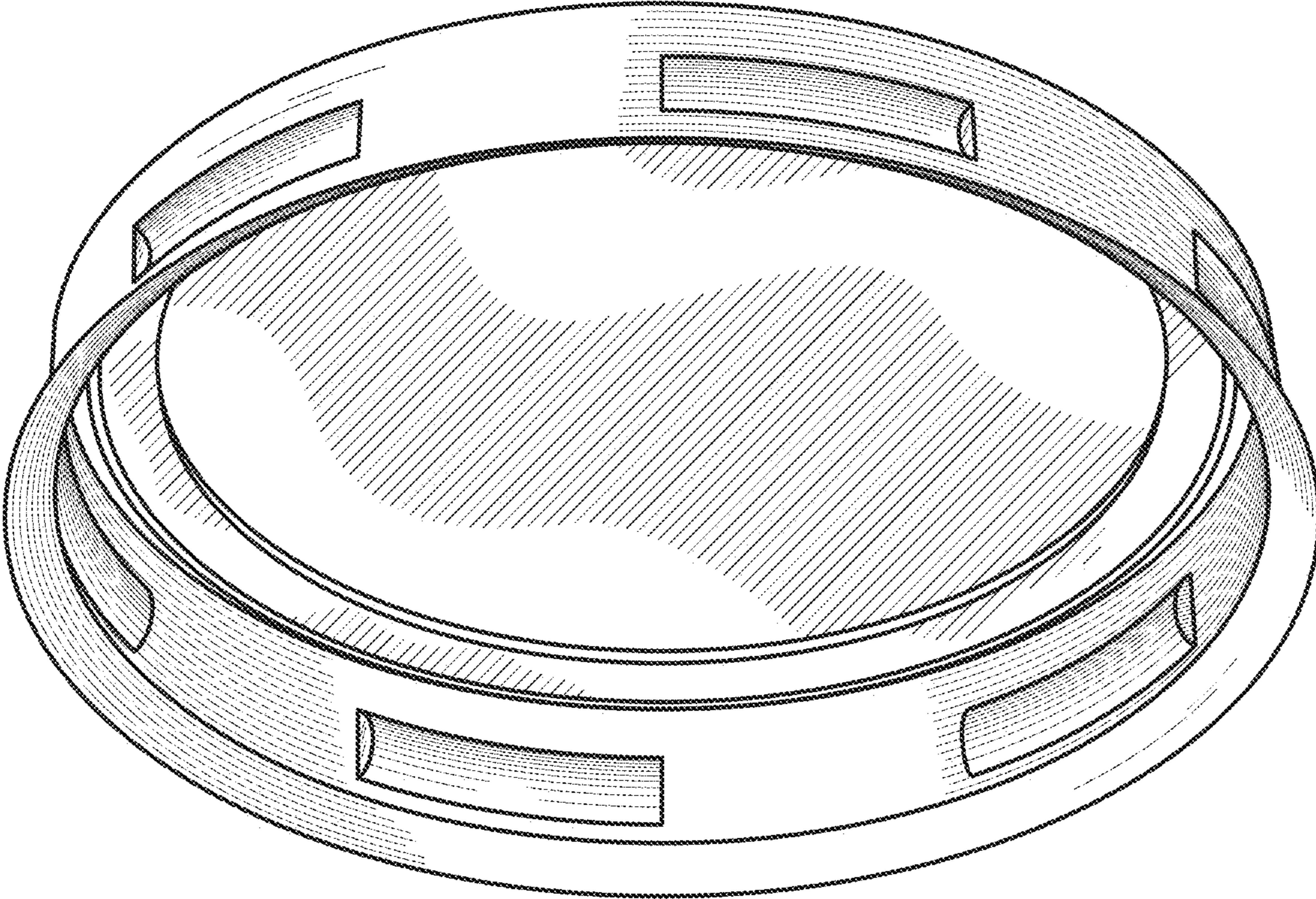
The ornamental design for lid for cans, as shown and described.

**DESCRIPTION**

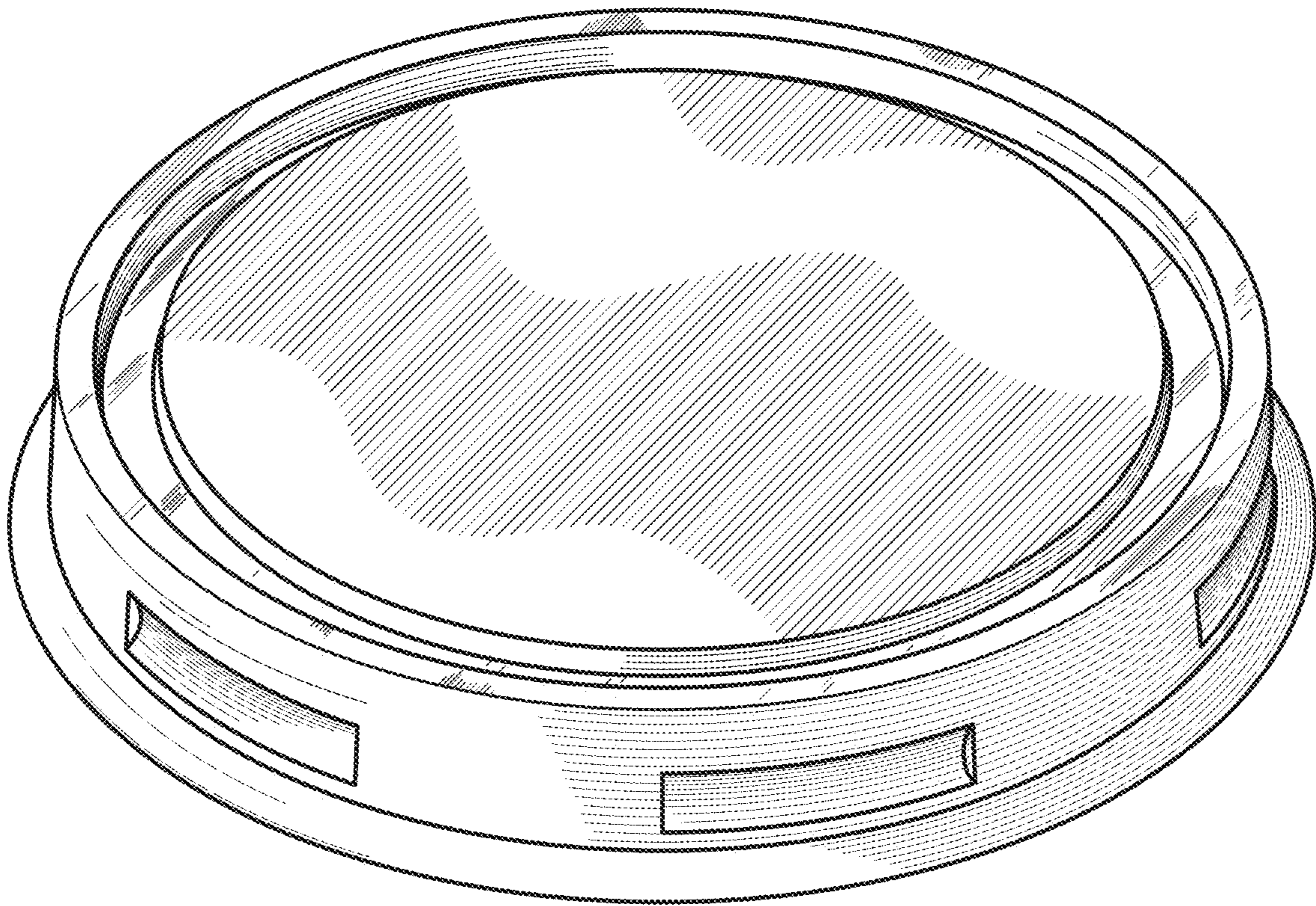
- 1. Lid for cans
- 1.1 : Perspective 1
- 1.2 : Perspective 2
- 1.3 : Front
- 1.4 : Right
- 1.5 : Left
- 1.6: Back
- 1.7:Top
- 1.8: Bottom

**1 Claim, 8 Drawing Sheets**





1.1



1.2



1.3



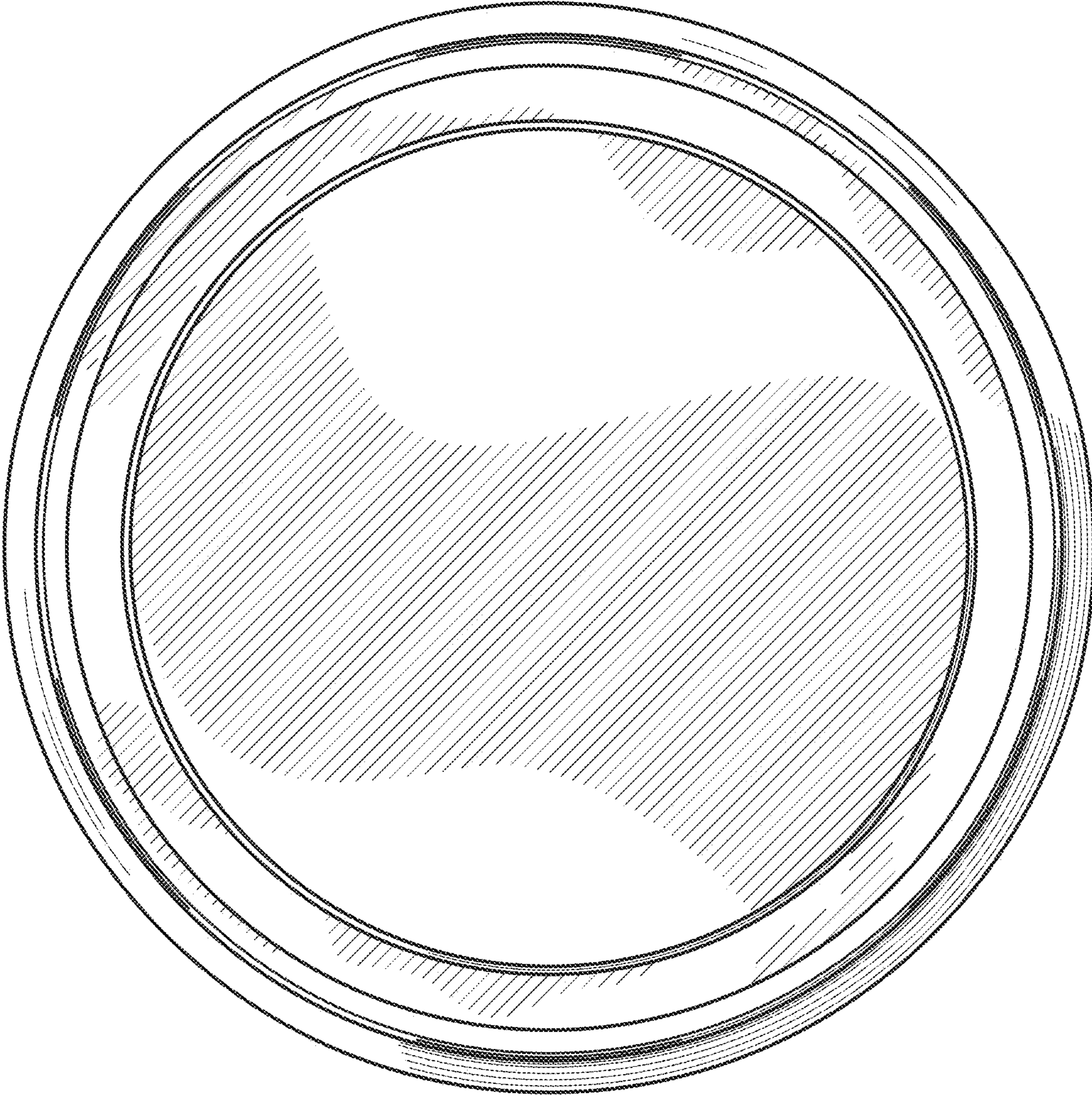
1.4



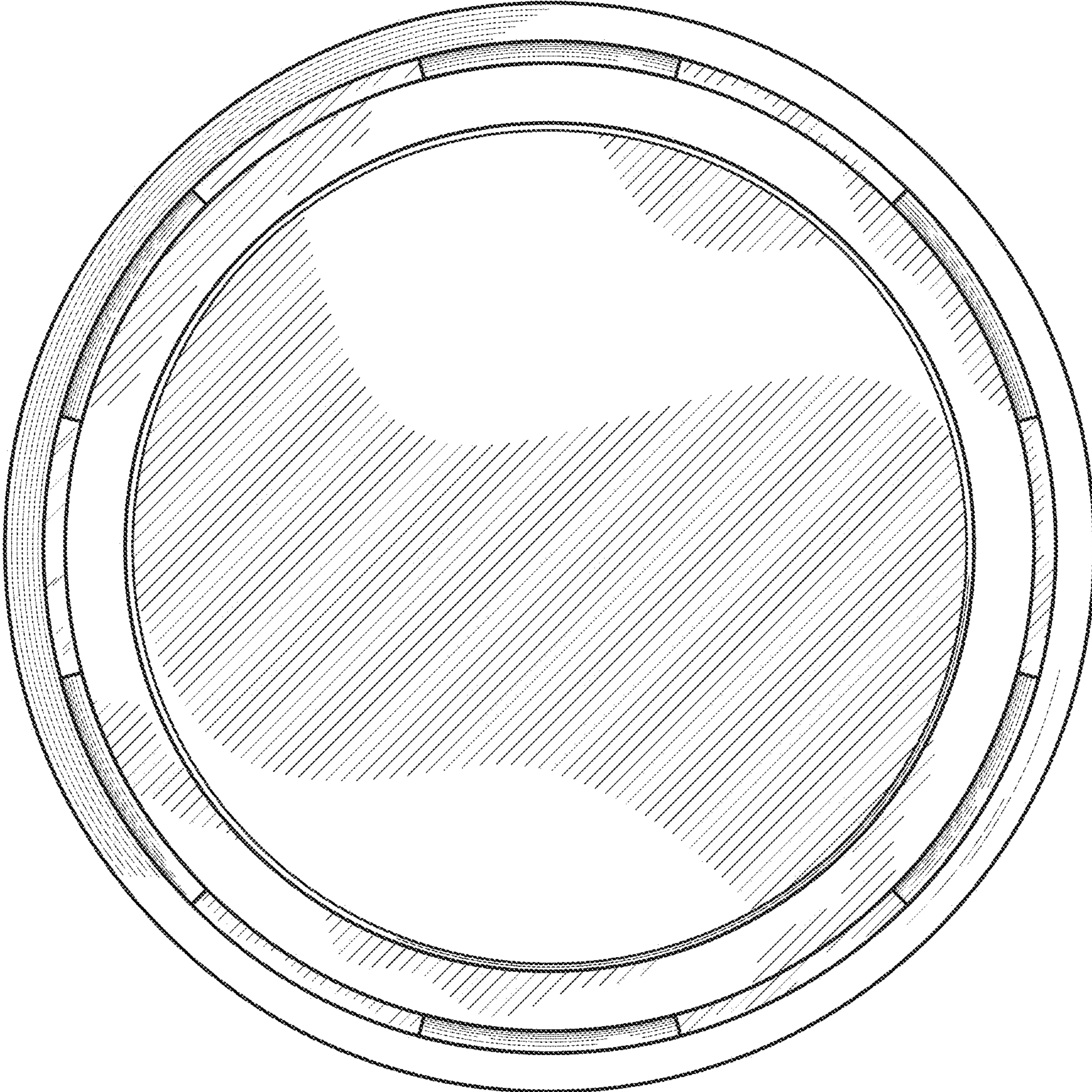
1.5



1.6







1.8

UNITED STATES PATENT AND TRADEMARK OFFICE  
**CERTIFICATE OF CORRECTION**

PATENT NO. : D911,102 S  
APPLICATION NO. : 35/507878  
DATED : February 23, 2021  
INVENTOR(S) : Ozturk

Page 1 of 1

It is certified that error appears in the above-identified patent and that said Letters Patent is hereby corrected as shown below:

On the Title Page

Column 1, Item (30), please insert the Foreign Application Priority Data to correctly read:

--Jan. 25, 2019 (EM) ..... 006085262--.

Signed and Sealed this  
Sixth Day of April, 2021



Drew Hirshfeld  
*Performing the Functions and Duties of the  
Under Secretary of Commerce for Intellectual Property and  
Director of the United States Patent and Trademark Office*