



US00D911101S

(12) **United States Design Patent**
Fang

(10) **Patent No.:** **US D911,101 S**

(45) **Date of Patent:** **** Feb. 23, 2021**

(54) **CUP LID**

(71) Applicant: **KS Industries Co., Ltd.**, Shanghai (CN)

(72) Inventor: **Ze Fang**, Shanghai (CN)

(73) Assignee: **KS Industries Co., Ltd.**, Shanghai (CN)

(**) Term: **15 Years**

(21) Appl. No.: **29/740,998**

(22) Filed: **Jul. 8, 2020**

(51) **LOC (13) Cl.** **07-99**

(52) **U.S. Cl.**
USPC **D7/392.1; D7/396.2; D9/443; D9/450**

(58) **Field of Classification Search**
USPC D9/434, 435, 439, 440, 442-450, D9/452-457, 499, 503-505, 682, 685, D9/686; D7/387, 391, 392, 392.1, 396.1, D7/396.2, 507, 509-511, 538, 900; D3/202, 203.2, 294, 318; D28/91, 91.1; D24/108, 111, 112; D23/213, 223
CPC .. A61J 1/00; A61J 1/1412; B65D 1/00; B65D 1/02; B65D 1/10; B65D 1/46; B65D 5/46; B65D 41/00; B65D 41/38; B65D 41/56; B65D 41/62; B65D 47/00; B65D 47/06; B65D 47/08; B65D 2251/00; B65D 2543/00046; B65D 2543/00092; B65D 2543/00296
See application file for complete search history.

(56) **References Cited**

U.S. PATENT DOCUMENTS

D547,607 S * 7/2007 Forsman D9/449
D652,256 S * 1/2012 Eyal D7/510
D682,034 S * 5/2013 El-Saden D7/511
8,602,238 B2 * 12/2013 El-Saden B65D 51/242
215/389

D700,014 S * 2/2014 Zeanah D7/511
D729,569 S * 5/2015 Herbst D7/392
D756,702 S * 5/2016 Joseph D7/396.2
D781,703 S 3/2017 Strachan
D802,993 S * 11/2017 Joseph D7/392.1
D804,903 S * 12/2017 Mason D7/510
D808,711 S * 1/2018 Joseph D7/392.1
D810,502 S * 2/2018 Joseph D7/392.1
D811,810 S * 3/2018 Joseph D7/392.1
D814,855 S * 4/2018 Hammer D7/392.1
D818,317 S * 5/2018 Fu D7/510
D820,637 S * 6/2018 Davis D7/392.1
D838,549 S * 1/2019 Gu D7/510
D845,128 S 4/2019 Eickhoff

(Continued)

Primary Examiner — Wendy L Arminio

(74) *Attorney, Agent, or Firm* — ScienBiziP, P.C.

(57) **CLAIM**

The ornamental design for a cup lid, as shown and described.

DESCRIPTION

FIG. 1 is a front, right and top perspective view of a cup lid, showing my new design in a position of use attached to an unclaimed cup drawn in broken lines.

FIG. 2 is a front elevation view thereof, with the cup lid shown removed from the cup.

FIG. 3 is a rear elevation view thereof.

FIG. 4 is a left side elevation view thereof.

FIG. 5 is a right side elevation view thereof.

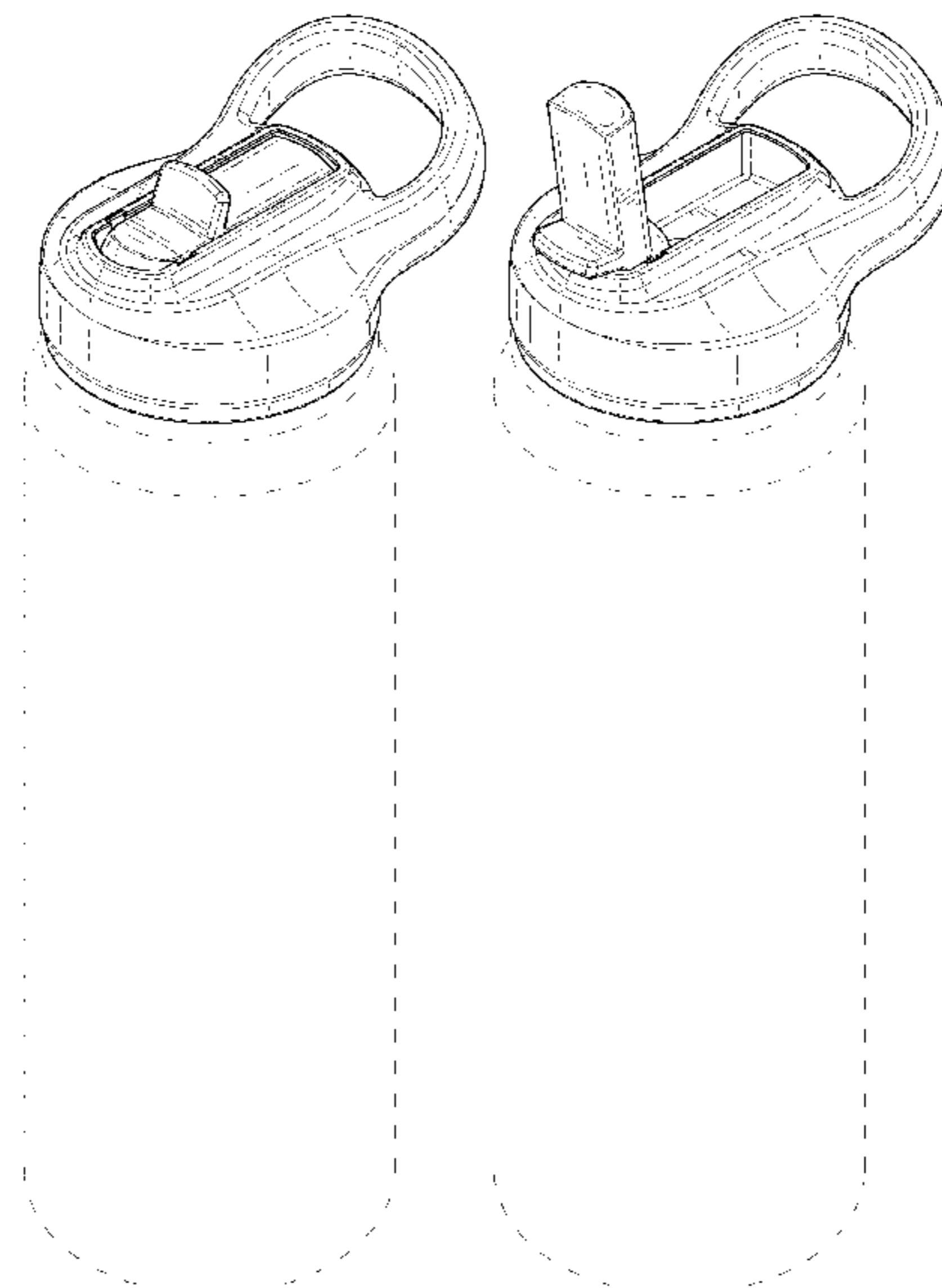
FIG. 6 is a top plan view thereof.

FIG. 7 is a bottom plan view thereof; and,

FIG. 8 is another perspective view of the cup lid of FIG. 1 shown in an alternative configuration with the lid switch in an open position.

The broken lines in FIGS. 1 and 8 illustrating a cup depict environmental structure and form no part of the claimed design. All other broken lines depict boundaries of the claim and form no part thereof.

1 Claim, 5 Drawing Sheets



(56)

References Cited

U.S. PATENT DOCUMENTS

D857,445 S * 8/2019 Keung D9/443
D858,182 S * 9/2019 Keung D9/443
D862,985 S * 10/2019 Backs D7/511
D870,508 S * 12/2019 Palkon D9/443
D878,866 S * 3/2020 Cheng D7/510
D881,703 S 4/2020 Yang et al.
D887,776 S * 6/2020 Bo D7/396.2
D897,760 S * 10/2020 Feng D9/447
2007/0039959 A1 * 2/2007 Choi A47G 19/2266
220/212.5
2015/0173539 A1 * 6/2015 Mason B65D 47/063
220/707
2019/0161251 A1 * 5/2019 Fang A45F 3/18

* cited by examiner

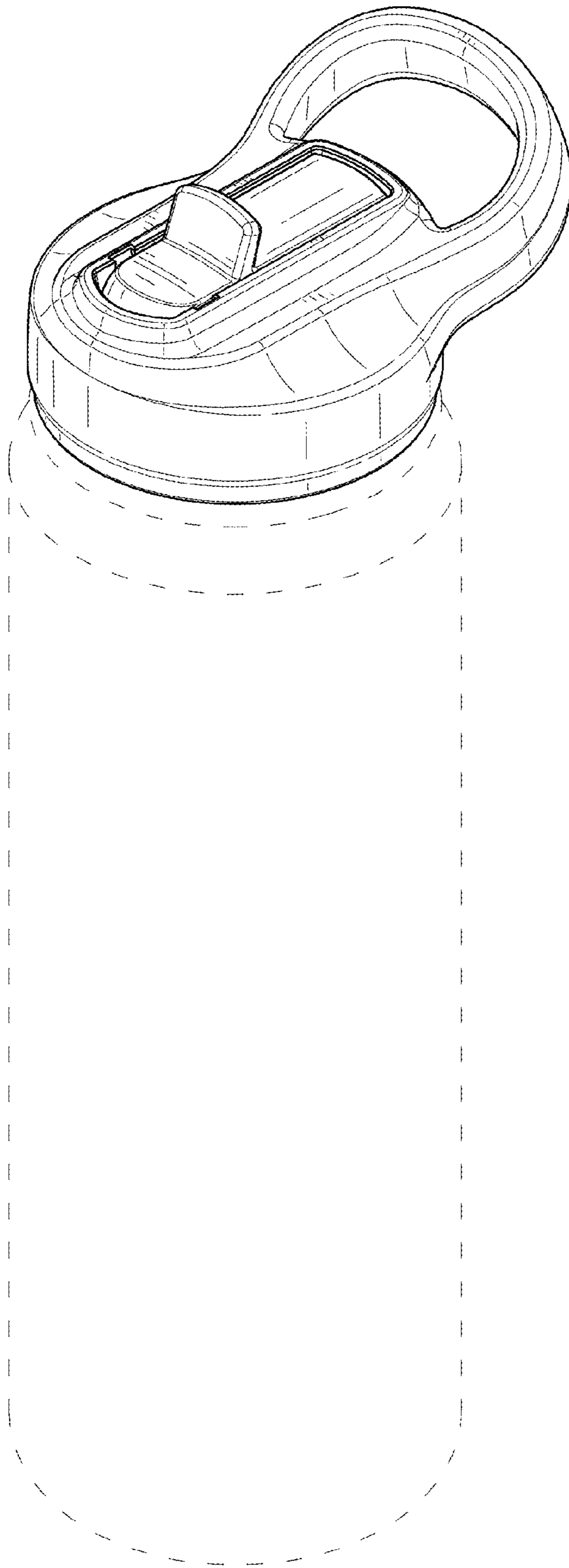


FIG.1

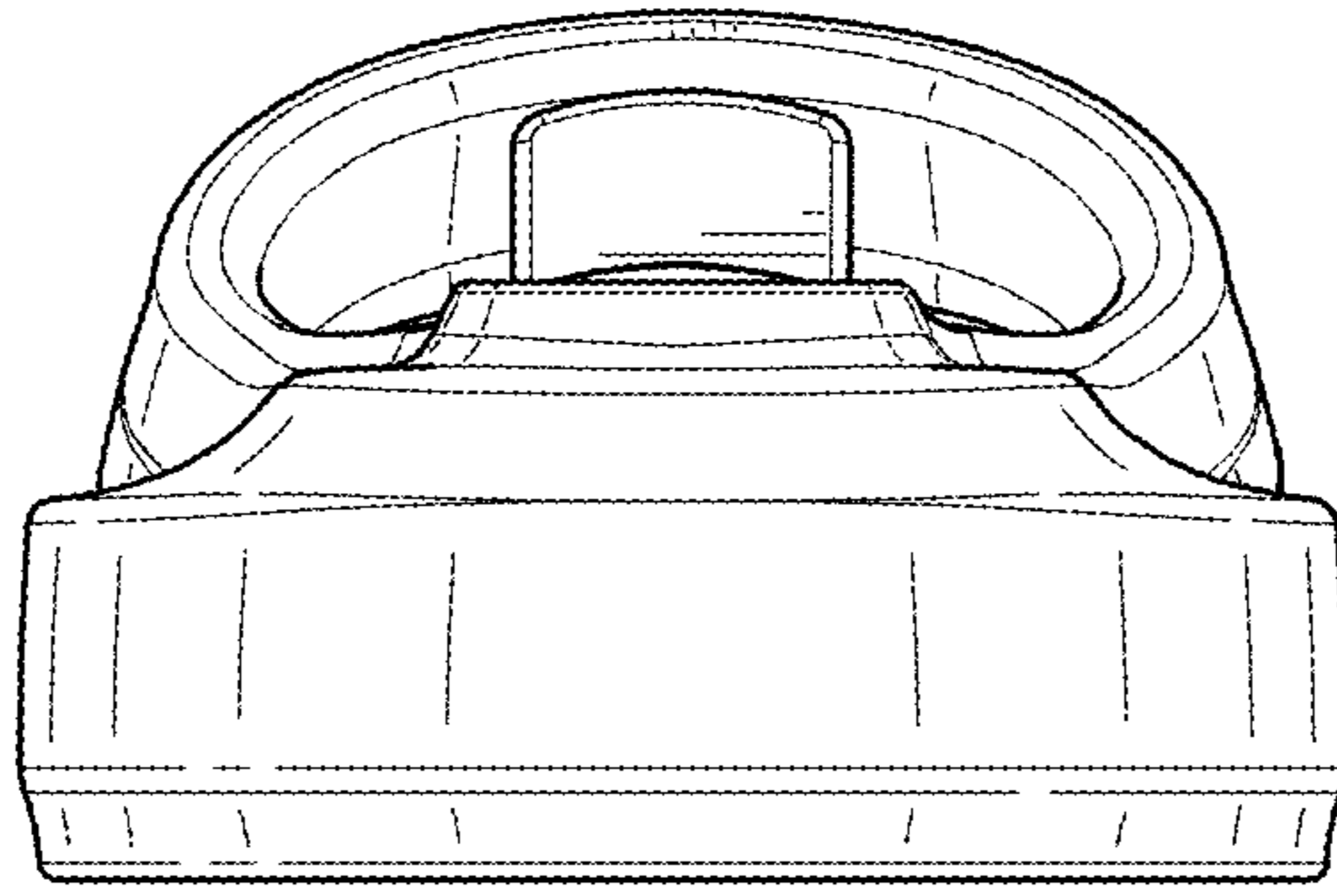


FIG. 2

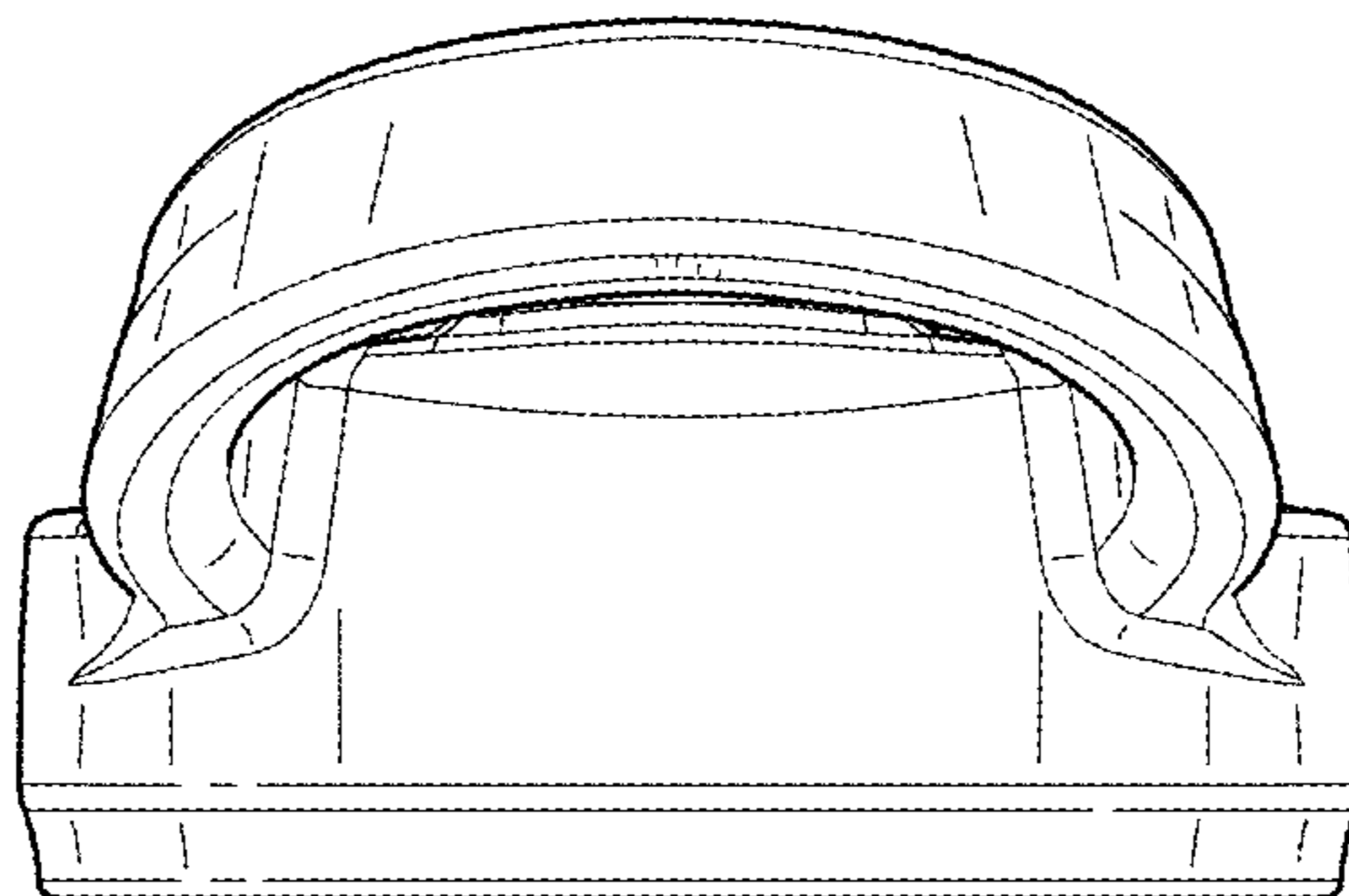


FIG. 3

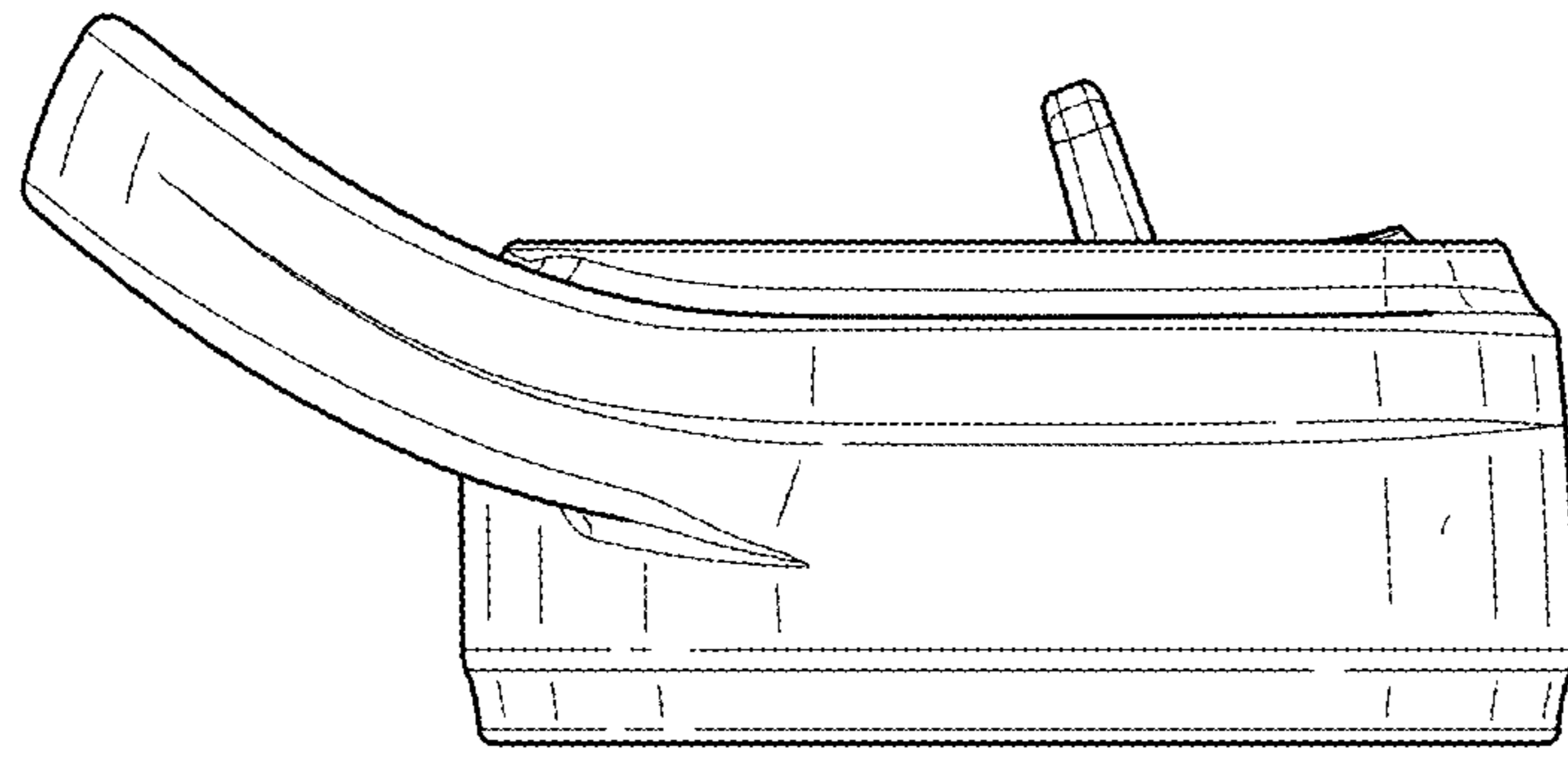


FIG. 4

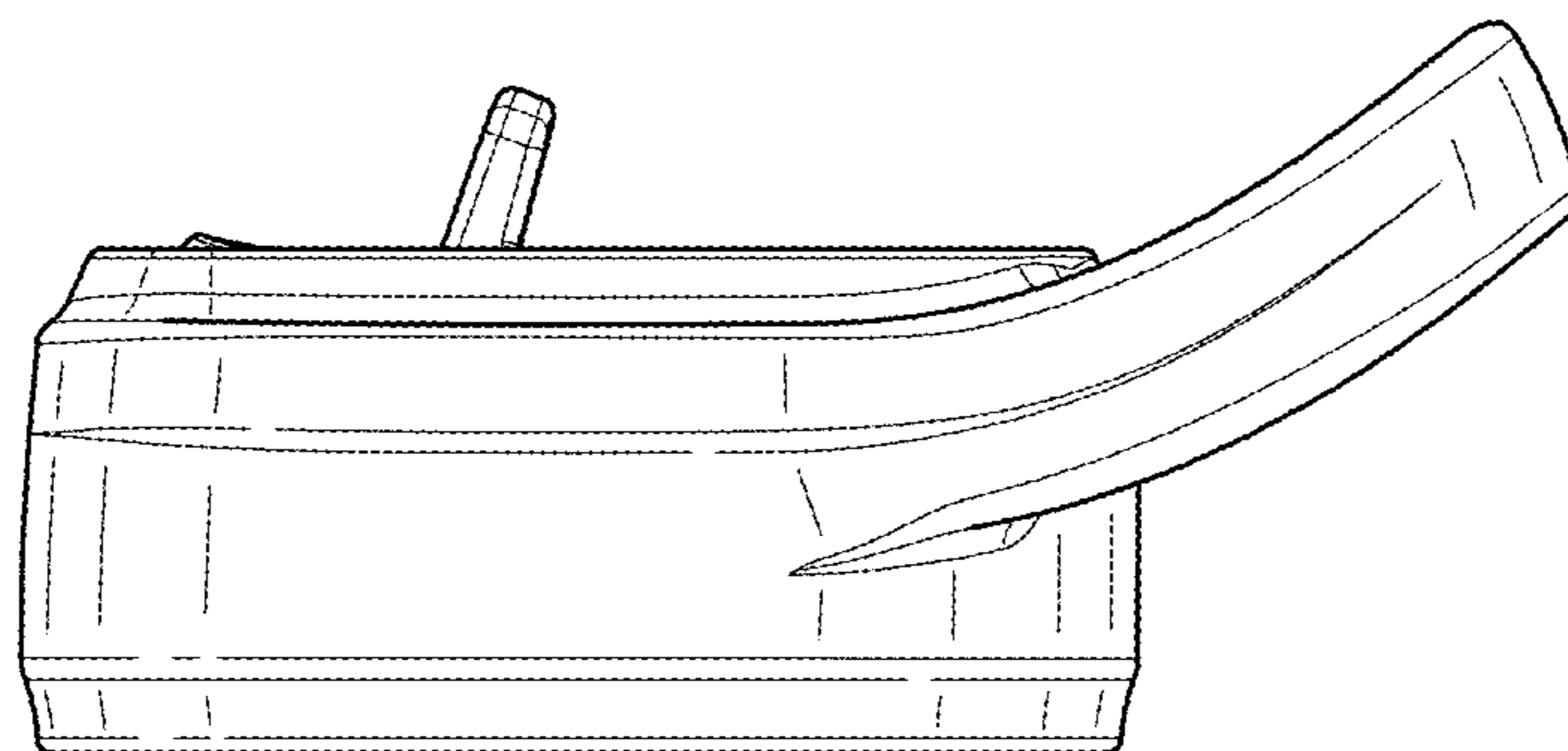


FIG. 5

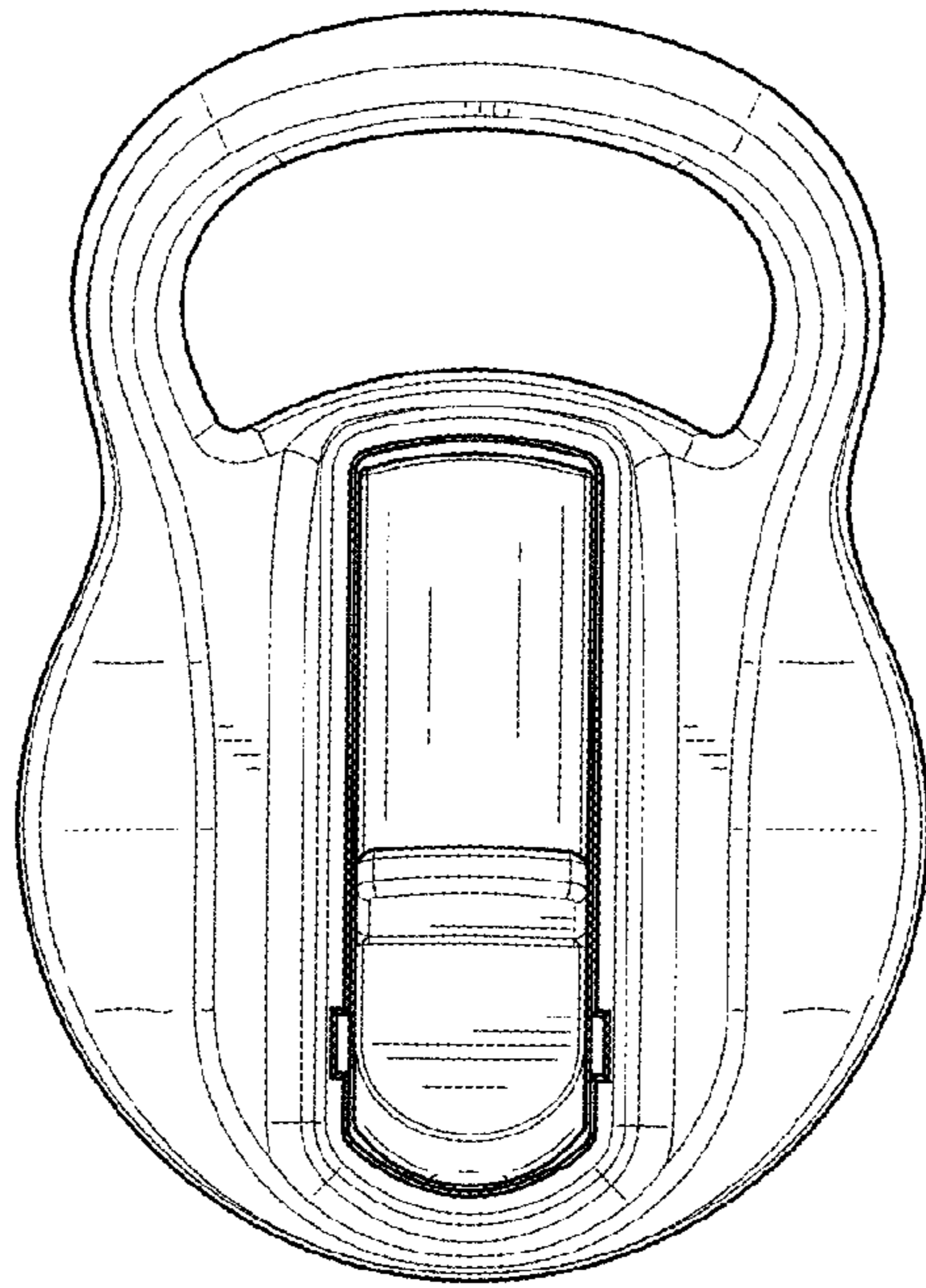


FIG. 6

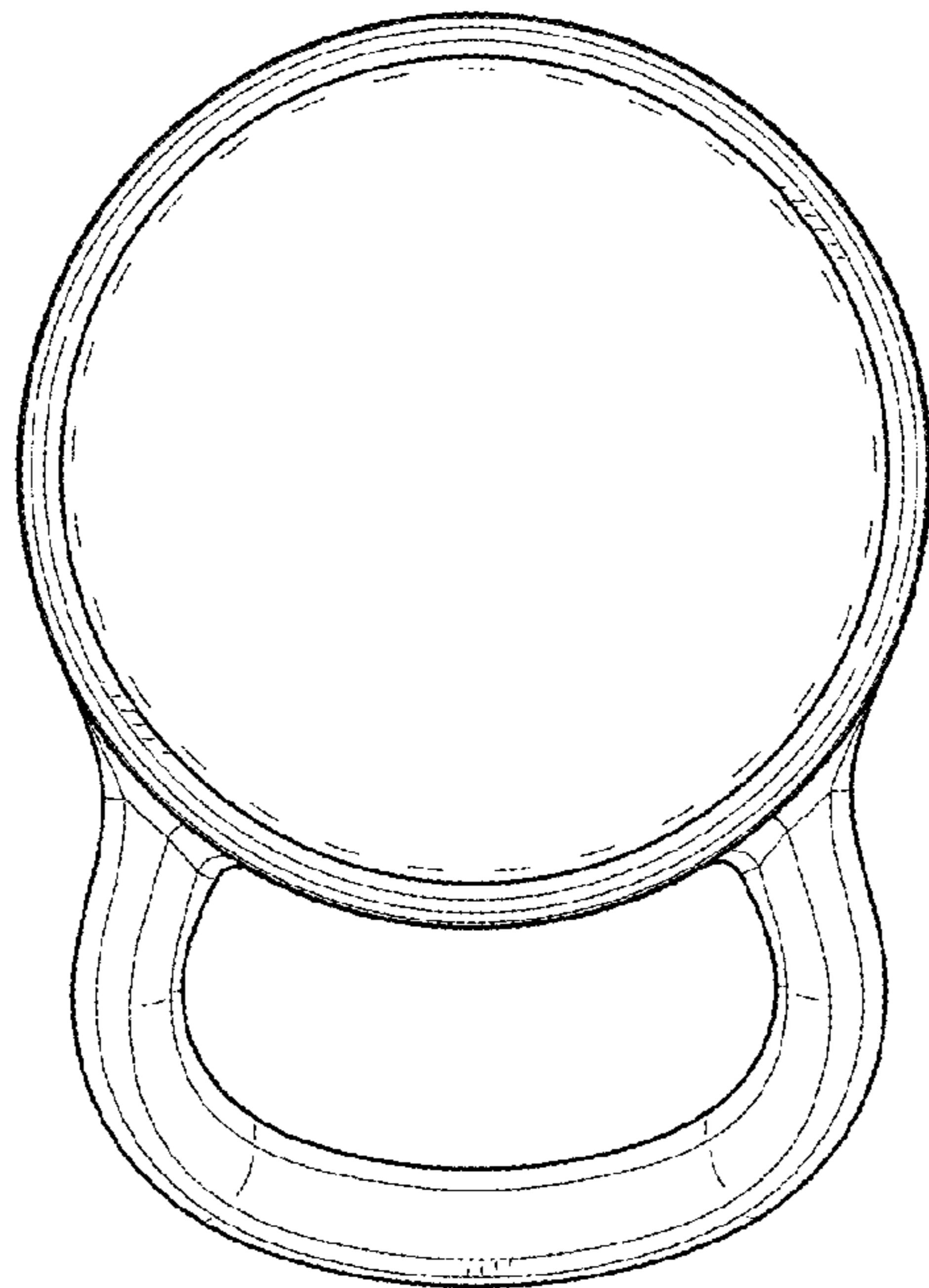


FIG. 7

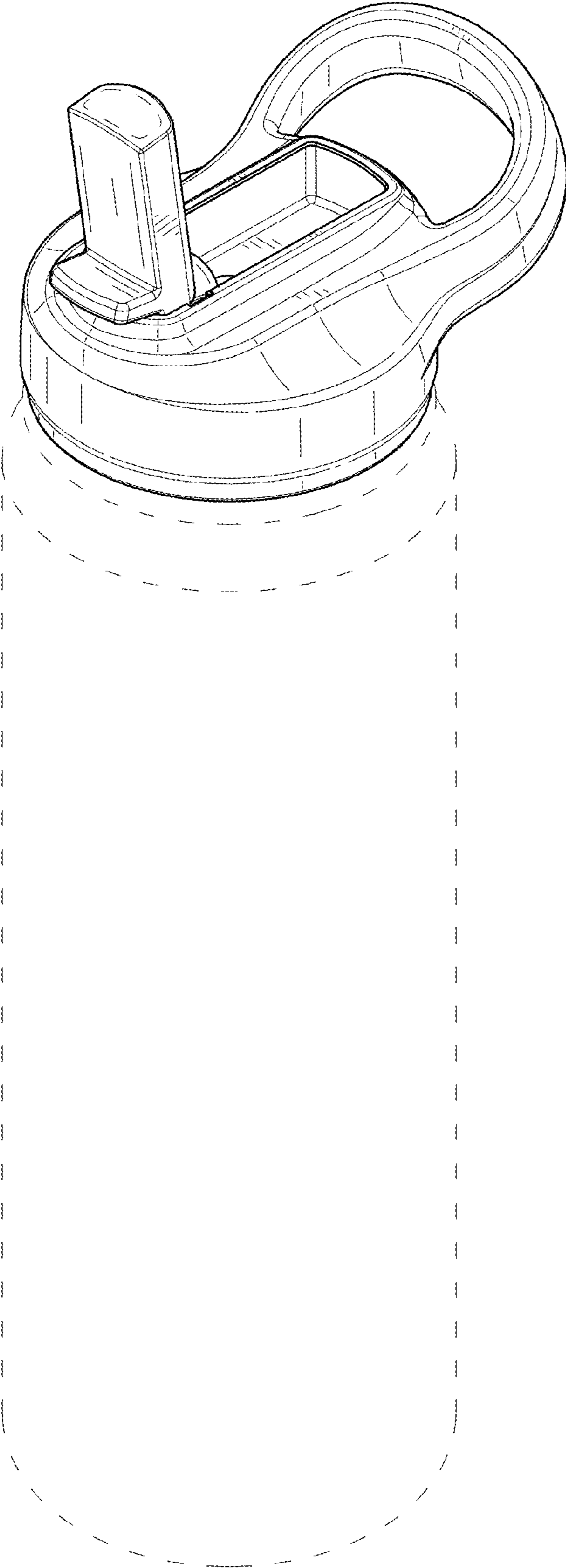


FIG.8