



US00D911100S

(12) **United States Design Patent**
Chen et al.

(10) **Patent No.:** **US D911,100 S**
(45) **Date of Patent:** **** Feb. 23, 2021**

(54) **LID WITH A STRAW**

(71) Applicants: **ZHEJIANG HONGLING INDUSTRY AND TRADE CO., LTD.**, Jinhua (CN); **FUJIAN SPD E-COMMERCE CO., LTD.**, Xiamen (CN); **Guofu Yang**, Zangang Township (CN)

(72) Inventors: **Xiaolei Chen**, Hefei (CN); **Xiaoqiang Lin**, Xiamen (CN); **Guofu Yang**, Zangang Township (CN)

(73) Assignees: **ZHEJIANG HONGUNG INDUSTRY AND TRADE CO., LTD.**, Jinhua (CN); **FUJIAN SPD E-COMMERCE CO., LTD.**, Xiamen (CN); **Guofu Yang**, Zangang Township (CN)

(**) Term: **15 Years**

(21) Appl. No.: **29/733,280**

(22) Filed: **Apr. 30, 2020**

(51) **LOC (13) Cl.** **07-99**

(52) **U.S. Cl.**
USPC **D7/392.1; D7/396.2; D9/443; D9/450**

(58) **Field of Classification Search**
USPC D9/414, 424, 425, 428, 432, 434, 435, D9/436, 439, 440, 443-450, 452-457, D9/499, 503, 682, 685, 686; D7/387, D7/391, 392, 392.1, 396.2, 510, 511, 538, D7/900; D3/202, 203.2; D28/91, 91.1
CPC .. A61J 1/00; A61J 1/1412; B65D 1/00; B65D 1/02; B65D 1/10; B65D 1/46; B65D 5/46; B65D 41/00; B65D 41/38; B65D 41/56; B65D 41/62; B65D 47/00; B65D 47/06; B65D 47/08; B65D 2251/00; B65D

(Continued)

(56) **References Cited**

U.S. PATENT DOCUMENTS

D165,653 S * 1/1952 Johnson D9/443
D547,607 S * 7/2007 Forsman D9/449

(Continued)

FOREIGN PATENT DOCUMENTS

GB 6067025 * 7/2019

OTHER PUBLICATIONS

Amazon.com "Straw Lid for Hydro Flask Wide Mouth Water Bottle" (online) earliest review Jun. 1, 2020. Retrieved from Internet Jul. 31, 2020, URL: <https://www.amazon.com/...&hvadid=416711613278&hvpos=&hvnetw=g&hvrand=5075379779639732401&hvqmt=&hvdev=c&hvdvcmdl=&hvlocint=&hvlocphy=1027019&hvtargid=pla-904513095269> (8 pgs.)*

Primary Examiner — Wendy L Arminio

(74) *Attorney, Agent, or Firm* — Law Offices Of Steven W. Weinrieb

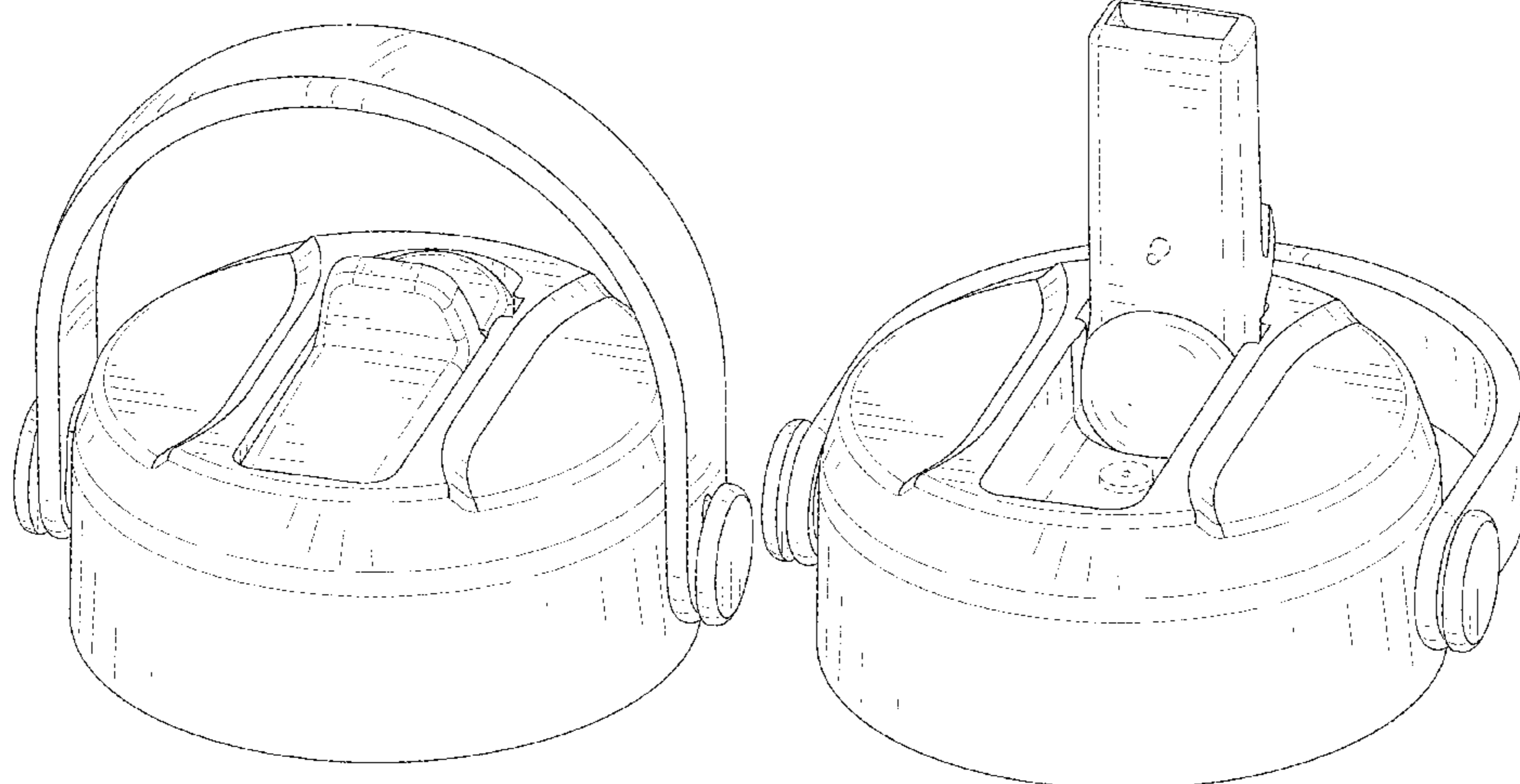
(57) **CLAIM**

The ornamental design for a lid with a straw, as shown and described.

DESCRIPTION

FIG. 1 is a front, right side, top perspective view of a lid with a straw showing my new design;
FIG. 2 is a rear, left side, bottom perspective view thereof;
FIG. 3 is a front elevational view thereof;
FIG. 4 is a rear elevational view thereof;
FIG. 5 is a left side elevational view thereof;
FIG. 6 is a right side elevational view thereof;
FIG. 7 is a top plan view thereof;
FIG. 8 is a bottom plan view thereof;
FIG. 9 is a front, right side, top perspective view thereof showing the carrying handle in a raised position; and,
FIG. 10 is a front, right side, top perspective view of the lid with a straw of FIG. 1 showing the straw feature in a raised position.
The broken lines depict portions of the lid with a straw that form no part of the claimed design.

1 Claim, 10 Drawing Sheets



US D911,100 S

Page 2

(58) **Field of Classification Search**

CPC 2543/00046; B65D 2543/00092; B65D
2543/00296

See application file for complete search history.

(56) **References Cited**

U.S. PATENT DOCUMENTS

D584,102 S 1/2009 Valderrama et al.
D636,634 S 4/2011 Kemper et al.
D649,879 S * 12/2011 Gullickson D9/450
D700,014 S * 2/2014 Zeanah D7/510
D704,986 S * 5/2014 Manies D7/392.1
D714,145 S 9/2014 Skaggs et al.
D720,218 S * 12/2014 Hutson D9/443
D747,136 S * 1/2016 Lane D7/396.2
D768,439 S * 10/2016 Shin D7/510
D799,320 S * 10/2017 Goodwin D7/392.1
D807,692 S 1/2018 Yao
D808,713 S * 1/2018 Rane D7/396.2
D810,506 S 2/2018 Erickson et al.

D811,162 S * 2/2018 Rane D7/396.2
D812,966 S * 3/2018 Murosky D9/447
D814,855 S * 4/2018 Hammer D7/392.1
D817,088 S 5/2018 Shirley
D820,085 S 6/2018 Moore et al.
D834,414 S 11/2018 Moore et al.
D835,938 S * 12/2018 Zou D7/396.2
D855,388 S * 8/2019 Potter D7/392
D862,985 S * 10/2019 Backs D7/511
D868,534 S * 12/2019 Lin D7/392.1
D870,508 S * 12/2019 Palkon D7/392.1
D871,144 S * 12/2019 Zhang D7/510
D872,522 S * 1/2020 Diener D9/450
D872,524 S * 1/2020 Bo D7/392.1
D873,603 S 1/2020 Diener et al.
D877,550 S 3/2020 Michaels et al.
D881,642 S * 4/2020 Zhang D7/392.1
D886,517 S * 6/2020 Bo D7/392.1
D887,776 S * 6/2020 Bo D7/392.1
2014/0138395 A1 * 5/2014 Joy A47G 19/2272
220/715
2017/0283132 A1 * 10/2017 Sorensen B65D 43/26

* cited by examiner

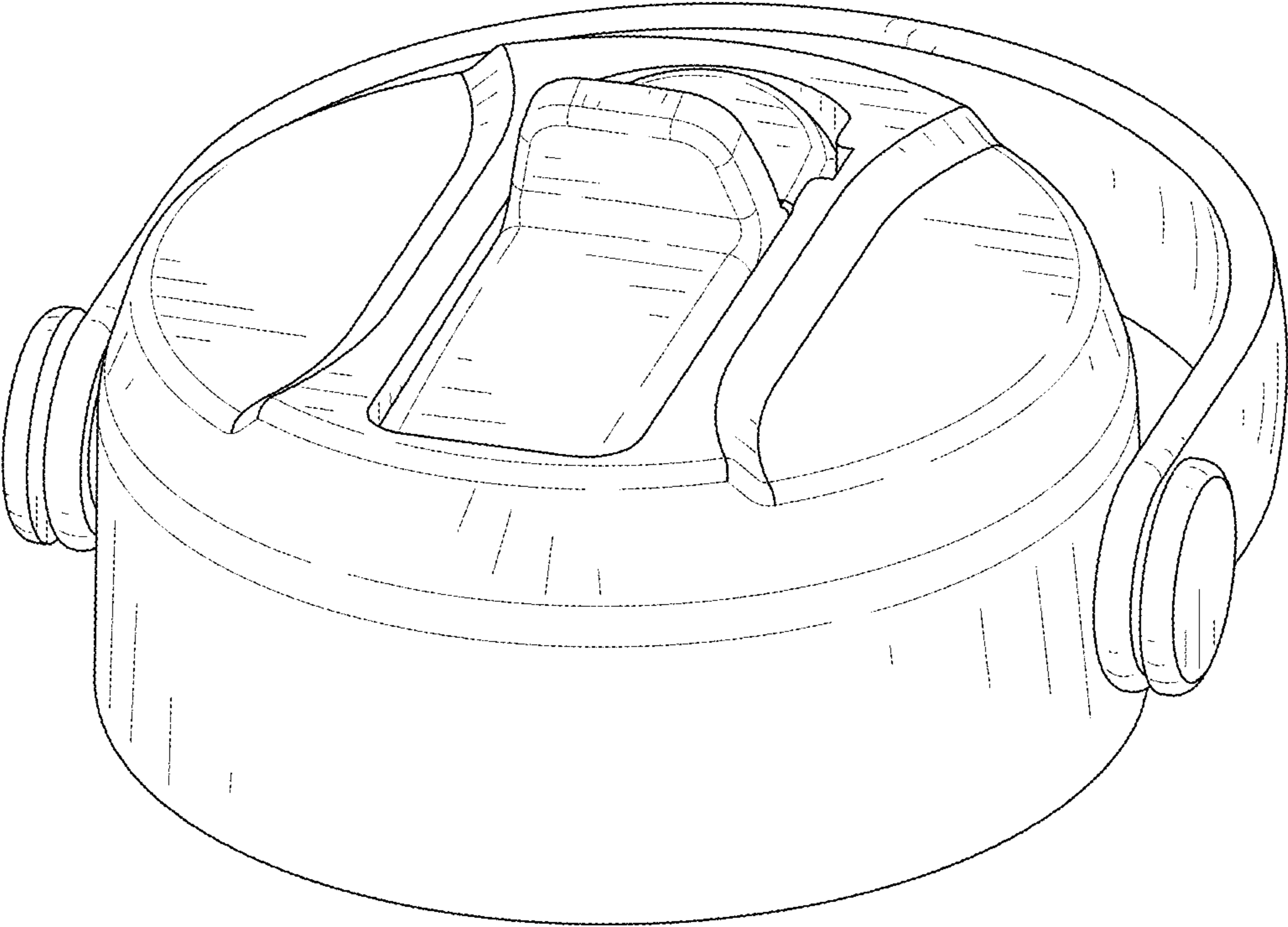


FIG. 1

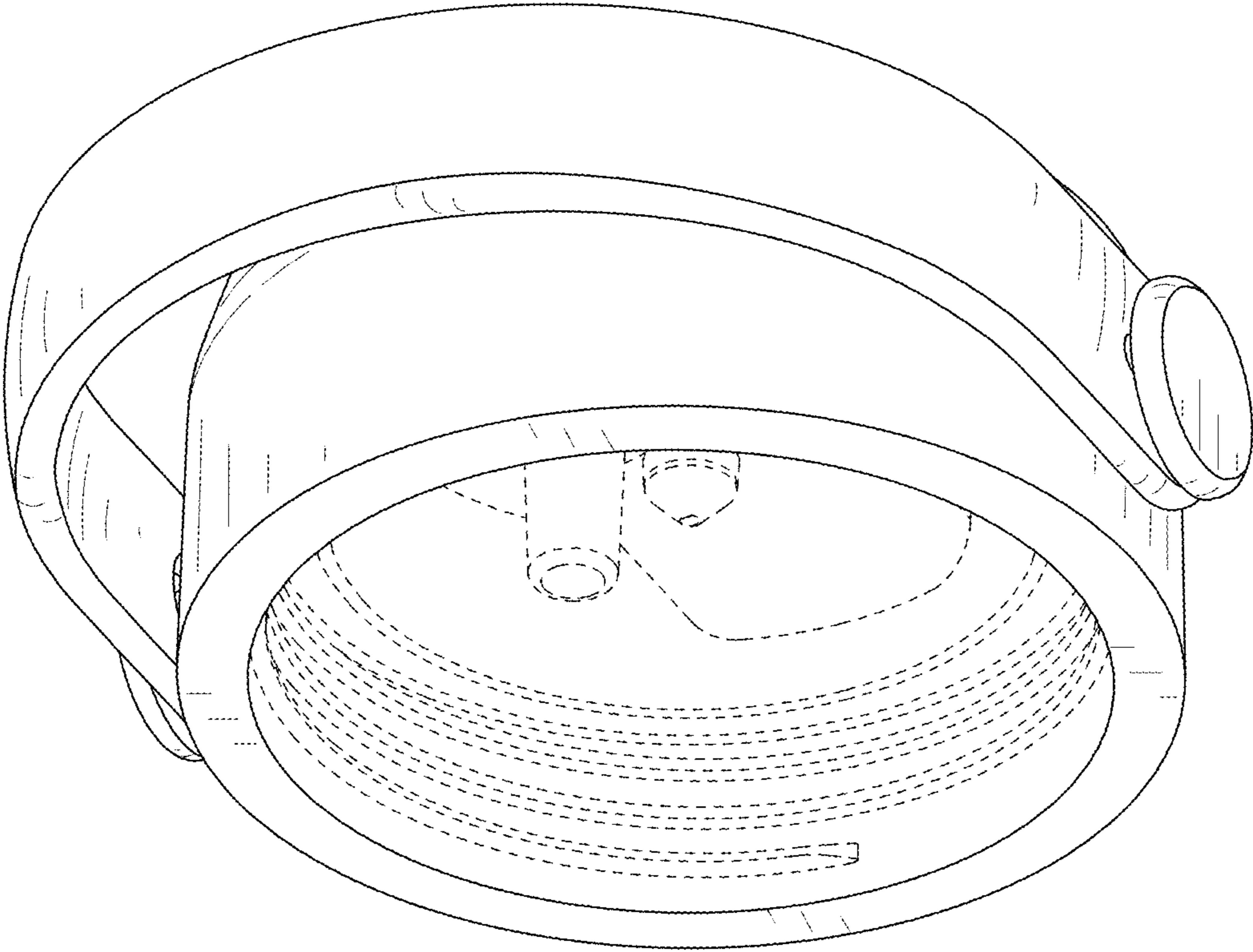


FIG. 2

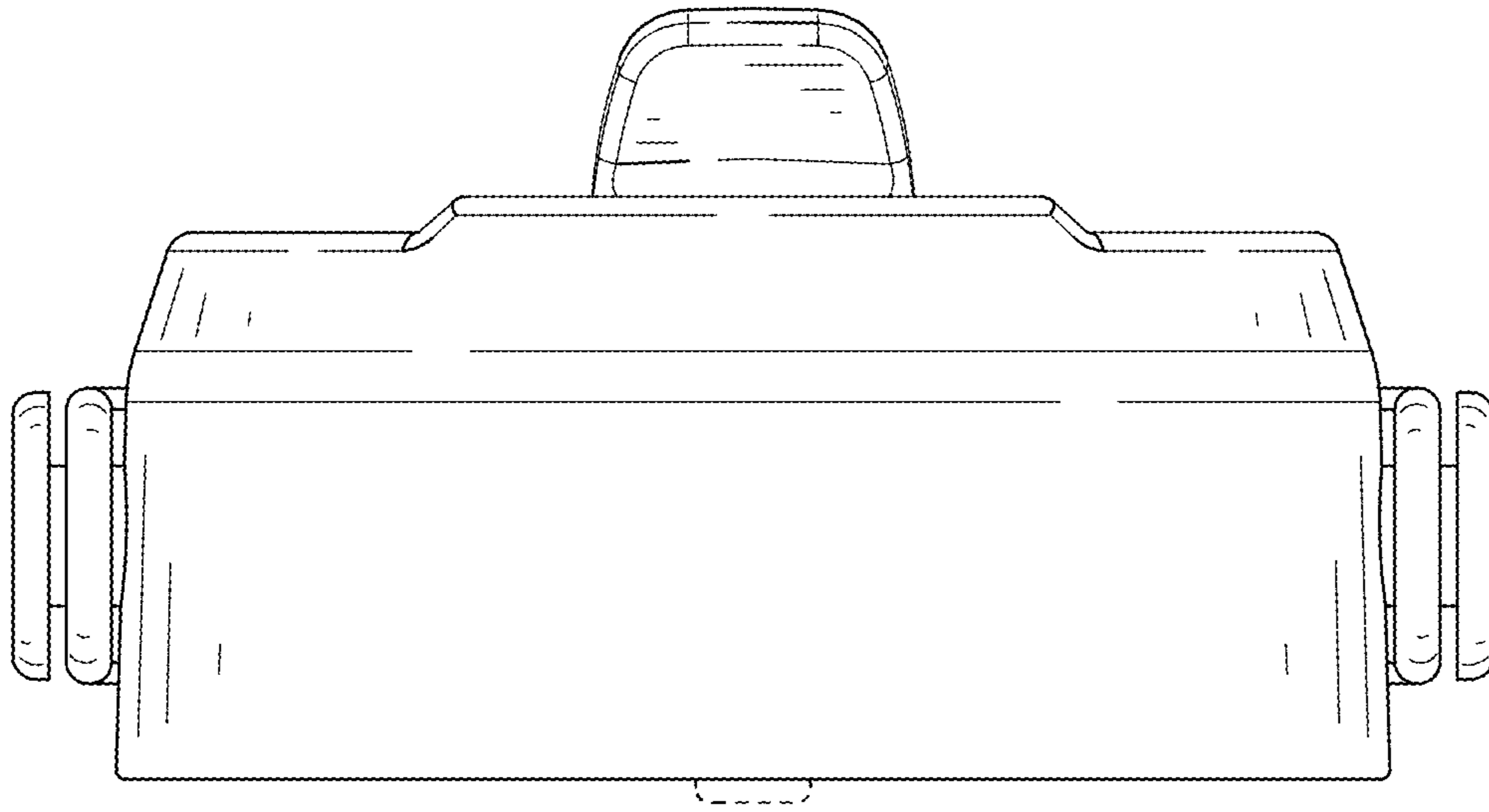


FIG. 3

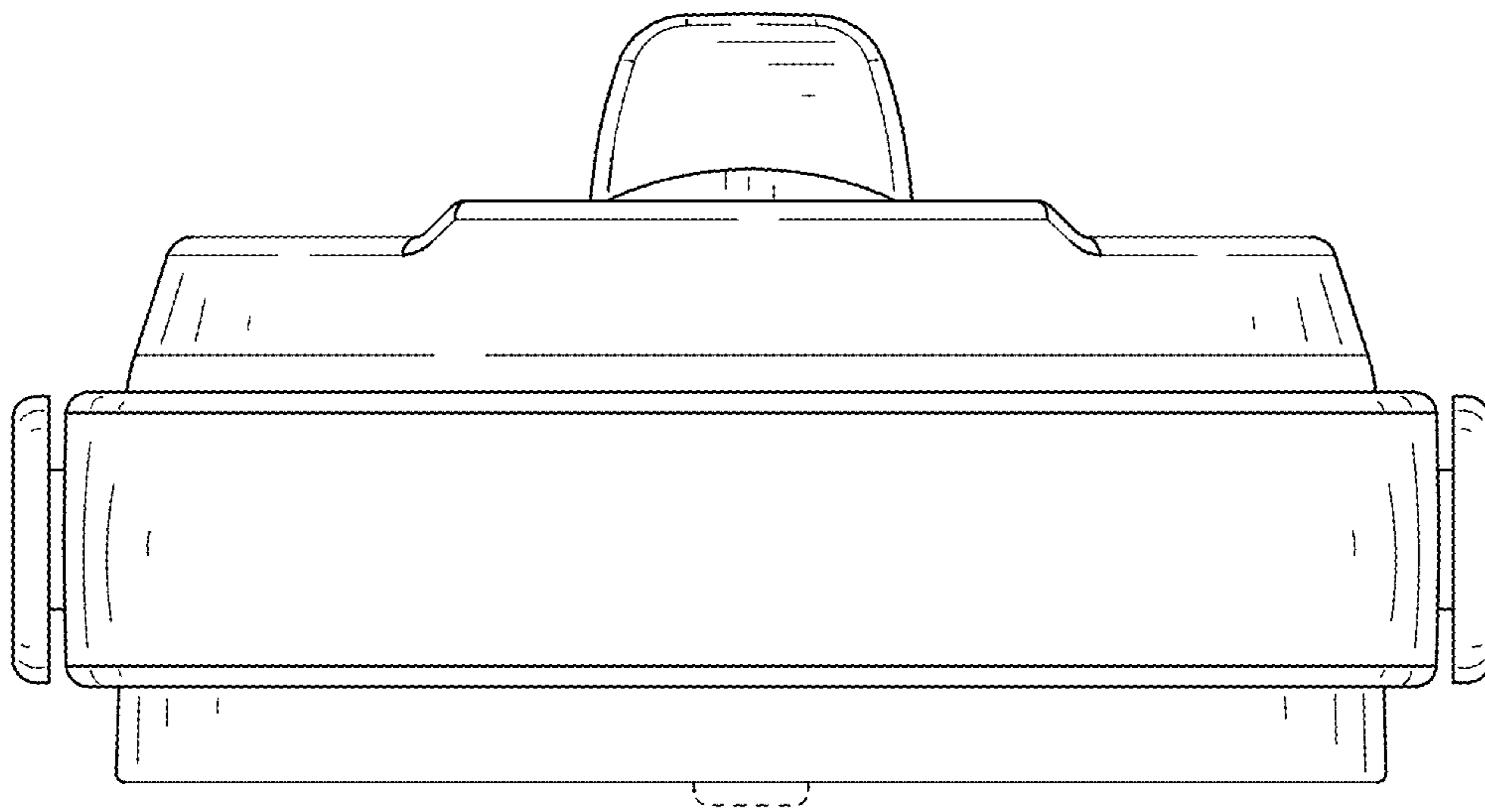


FIG. 4

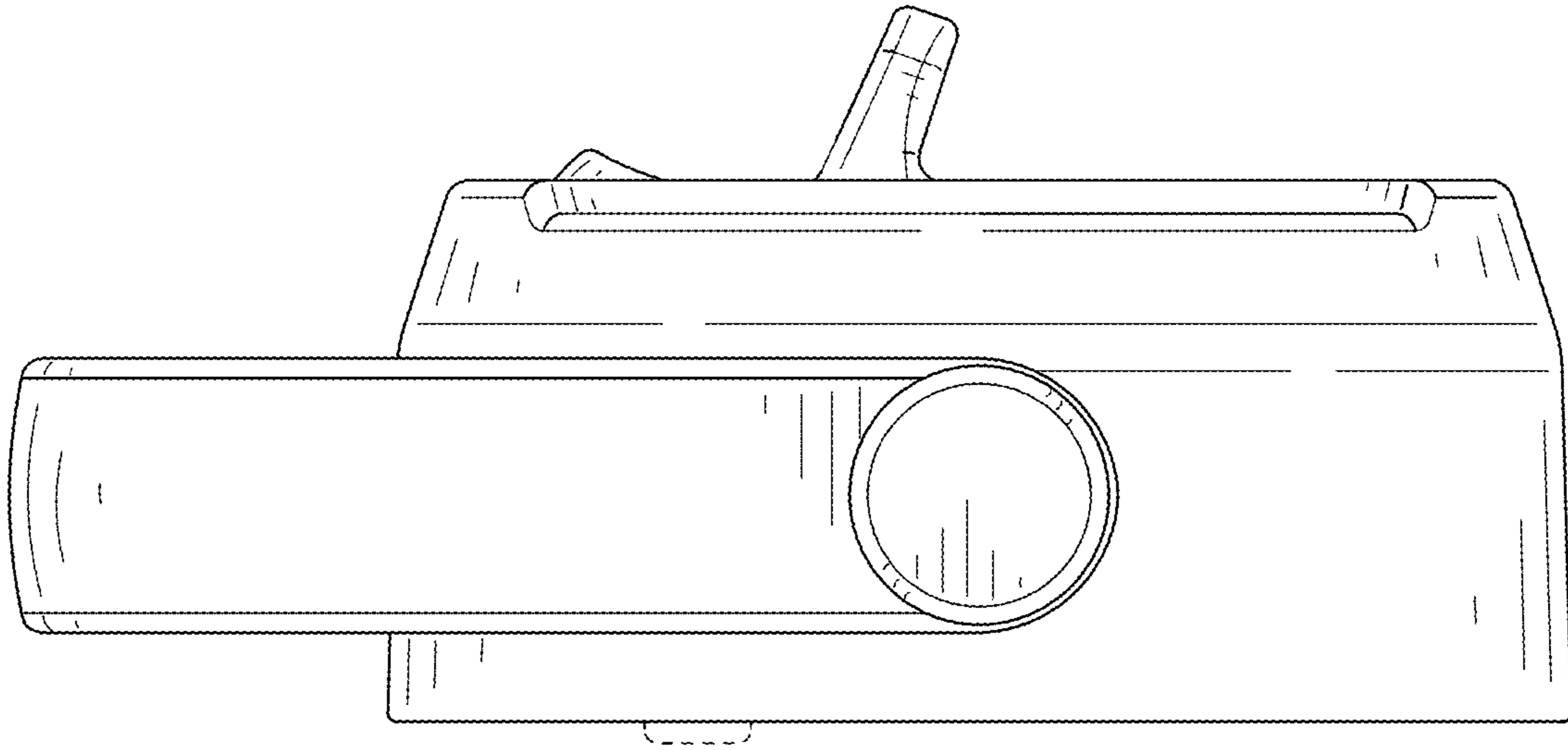


FIG. 5

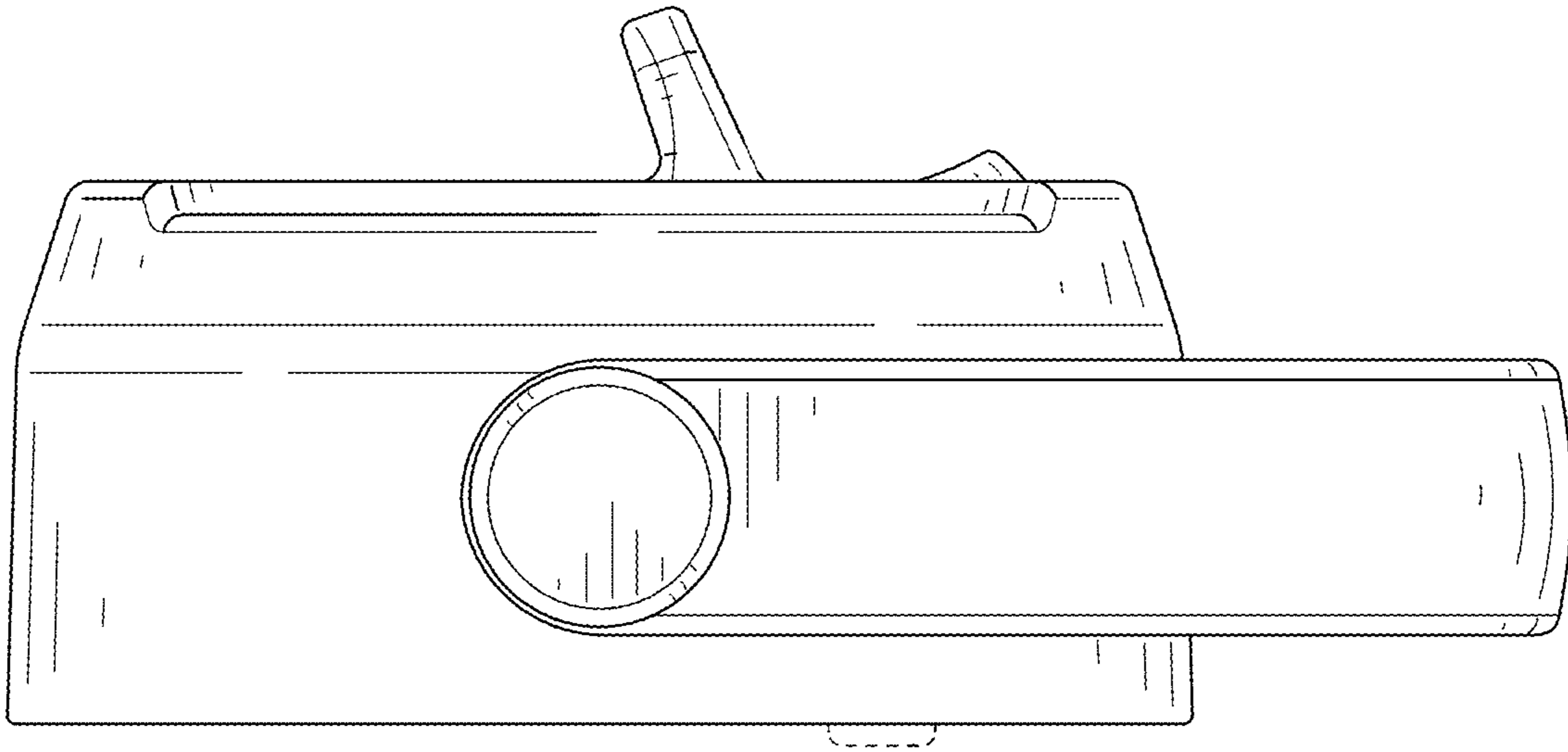


FIG. 6

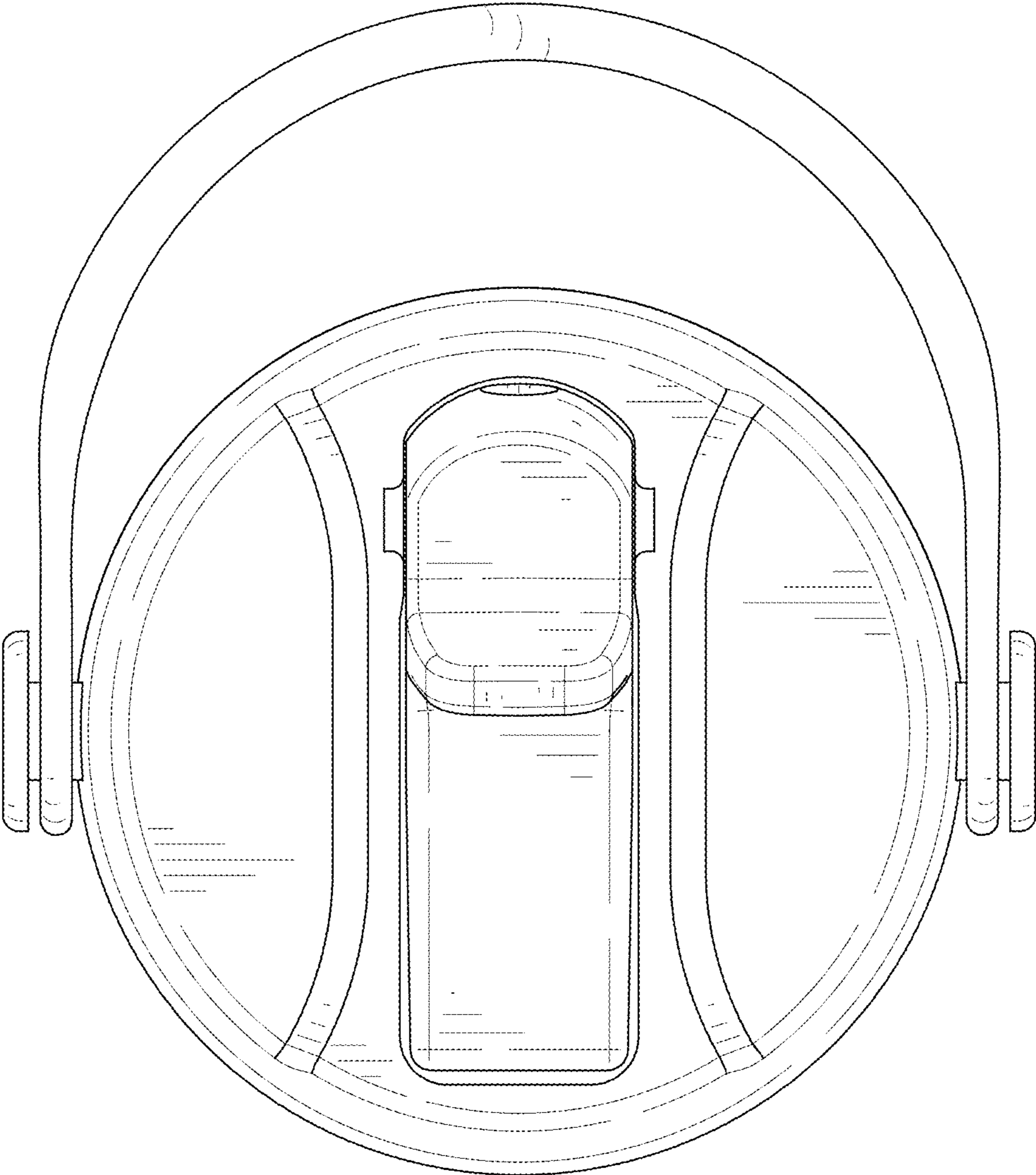


FIG. 7

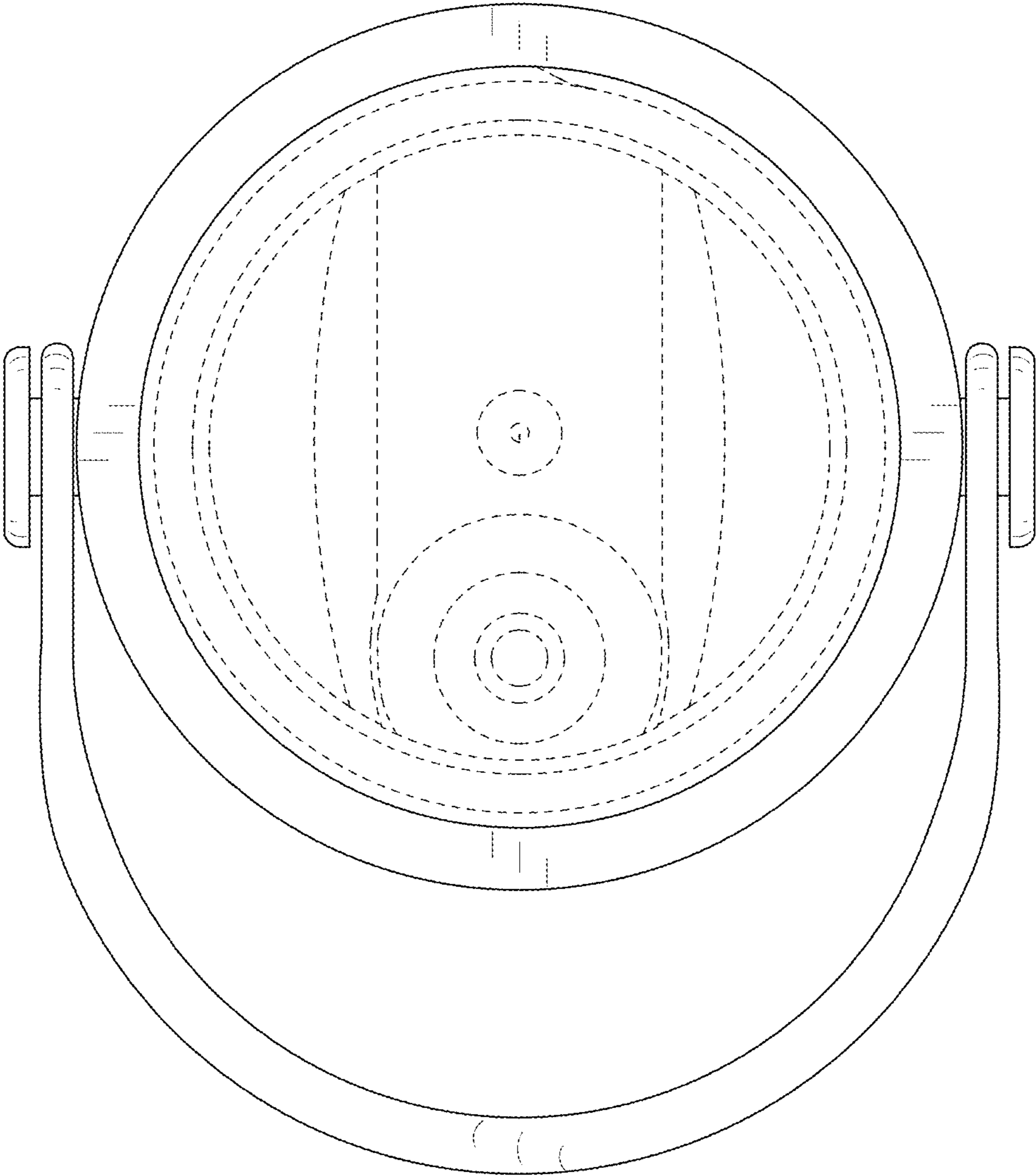


FIG. 8

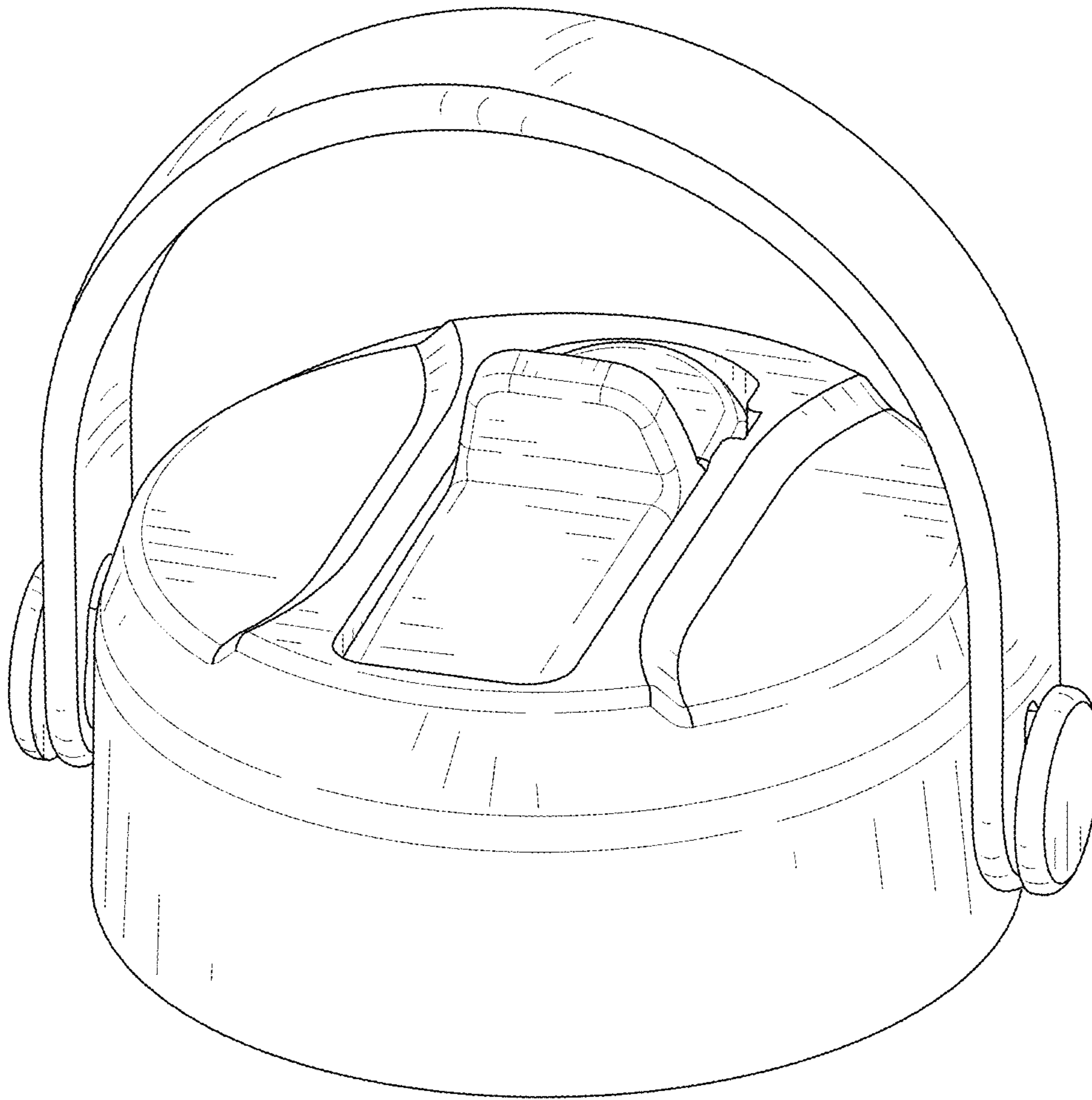


FIG. 9

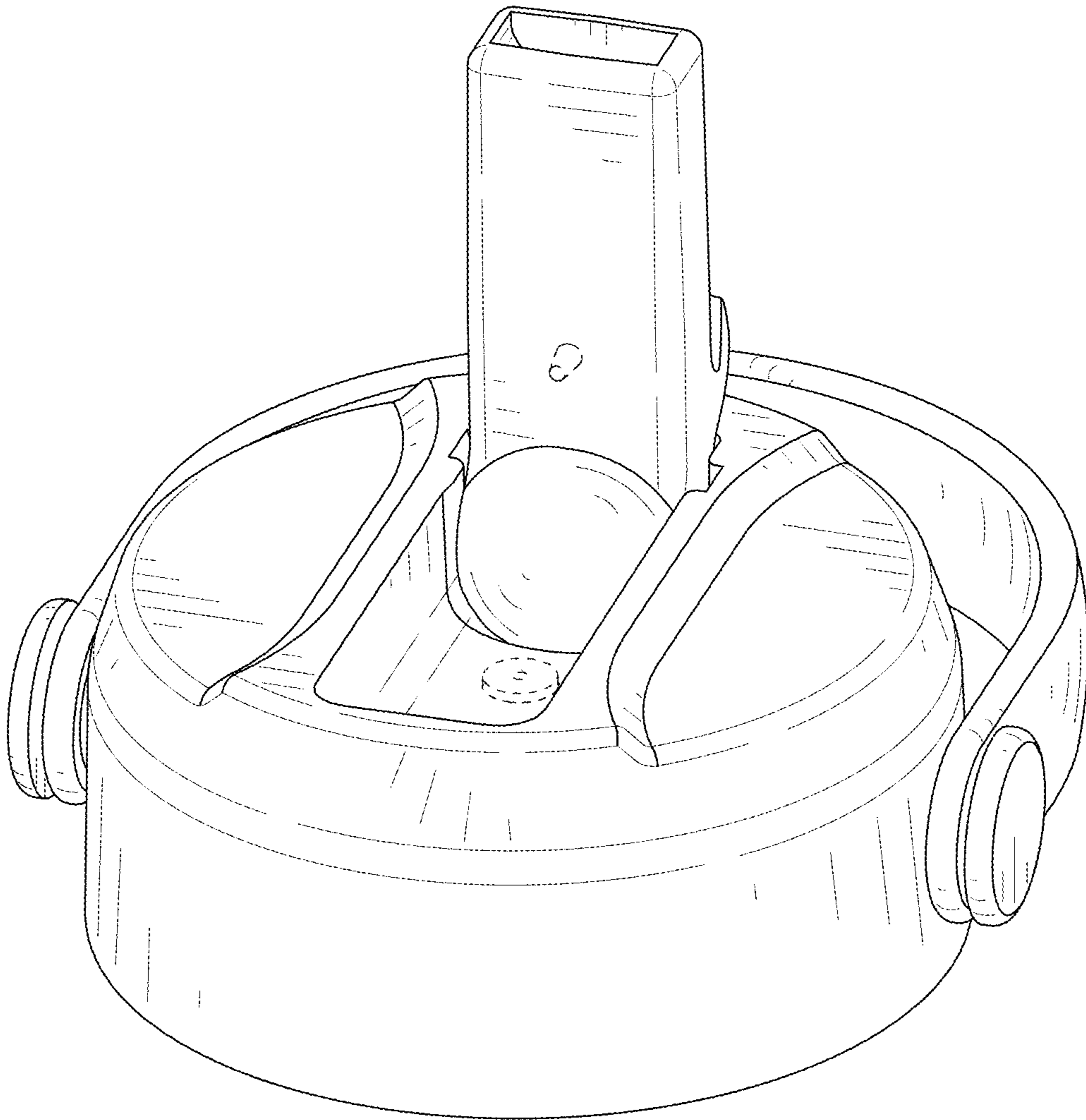


FIG. 10