



US00D911099S

(12) **United States Design Patent** (10) **Patent No.:** **US D911,099 S**  
**Volkoff et al.** (45) **Date of Patent:** **\*\* Feb. 23, 2021**

(54) **BOTTLE LID**  
(71) Applicants: **Jarett Volkoff**, Bend, OR (US); **Justin Taylor**, Bend, OR (US)  
(72) Inventors: **Jarett Volkoff**, Bend, OR (US); **Justin Taylor**, Bend, OR (US)  
(73) Assignee: **Helen of Troy Limited**, St. Michael (BB)  
(\*\*) Term: **15 Years**  
(21) Appl. No.: **29/710,862**

D651,847 S 1/2012 Gilbert  
8,215,511 B1 7/2012 Lin  
D665,621 S \* 8/2012 Eyal ..... D7/392.1  
D677,119 S \* 3/2013 Ying ..... D7/392.1  
D680,431 S \* 4/2013 Hopkins ..... D9/443  
D683,581 S \* 6/2013 Archer ..... D9/443  
D690,987 S 10/2013 Gallen  
D752,916 S \* 4/2016 Goodwin ..... D7/392.1  
D755,561 S 5/2016 Eyal  
D758,859 S 6/2016 Sorensen  
D760,080 S \* 6/2016 Gorbald ..... D9/443  
D781,146 S 3/2017 Seiders  
D786,012 S \* 5/2017 Hein ..... D7/396.2  
D792,215 S \* 7/2017 Eyal ..... D9/443  
D811,818 S \* 3/2018 Wu ..... D7/510

(Continued)

(22) Filed: **Oct. 27, 2019**  
(51) **LOC (13) Cl.** ..... **07-99**  
(52) **U.S. Cl.**  
USPC ..... **D7/392.1**; D7/396.2; D9/439; D9/443  
(58) **Field of Classification Search**  
USPC ..... D9/434, 435, 439, 440, 442-450,  
D9/452-457, 499, 503-505, 682, 685,  
D9/686; D7/387, 391, 392, 392.1, 396.1,  
D7/396.2, 507, 509-511, 538, 900;  
D3/202, 203.2, 294, 318; D28/91, 91.1;  
D24/108, 111, 112; D23/213, 223  
CPC .. A61J 1/00; A61J 1/1412; B65D 1/00; B65D  
1/02; B65D 1/10; B65D 1/46; B65D  
5/46; B65D 41/00; B65D 41/38; B65D  
41/56; B65D 41/62; B65D 47/00; B65D  
47/06; B65D 47/08; B65D 2251/00;  
B65D 2543/00046; B65D 2543/00092;  
B65D 2543/00296

See application file for complete search history.

(56) **References Cited**

**U.S. PATENT DOCUMENTS**

D398,193 S 9/1998 Sanchez  
D524,909 S 7/2006 Bakke  
D614,440 S \* 4/2010 Cresswell ..... D7/392.1  
D615,816 S 5/2010 Joy  
D622,089 S 8/2010 Daniel

**OTHER PUBLICATIONS**

“Hydro Flask Water Bottle, Wide Mouth with Free Flex Cap”.  
Found online Jun. 7, 2017 at amazon.com. Page dated May 10,  
2016. Retrieved from [https://www.amazon.com/Hydro-Flask-Double-Insulated-Stainless/dp/B01ACAX702/ref=cm\\_cr\\_ar\\_p\\_d\\_product\\_top?ie=UTF8](https://www.amazon.com/Hydro-Flask-Double-Insulated-Stainless/dp/B01ACAX702/ref=cm_cr_ar_p_d_product_top?ie=UTF8).

(Continued)

*Primary Examiner* — Wendy L Arminio  
(74) *Attorney, Agent, or Firm* — Rankin, Hill & Clark  
LLP

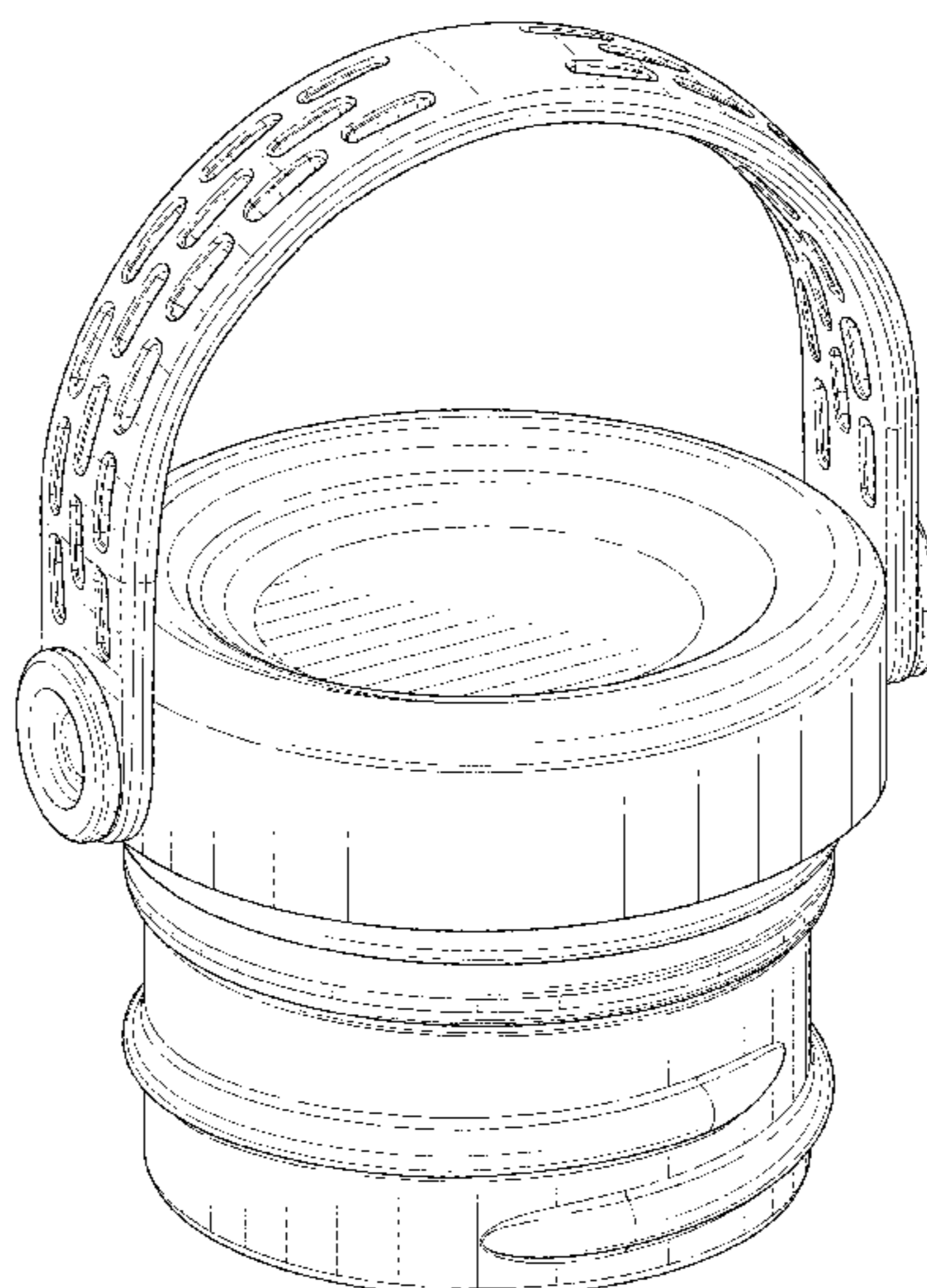
(57) **CLAIM**

The ornamental design for a bottle lid, as shown and described.

**DESCRIPTION**

FIG. 1 is a perspective view of a bottle lid;  
FIG. 2 is a front elevation view thereof;  
FIG. 3 is a rear elevation view thereof;  
FIG. 4 is a left elevation view thereof;  
FIG. 5 is a right elevation view thereof;  
FIG. 6 is a top view thereof; and,  
FIG. 7 is a bottom view thereof.

**1 Claim, 6 Drawing Sheets**



(56)

References Cited

U.S. PATENT DOCUMENTS

D819,396 S \* 6/2018 Seiders ..... D7/392.1  
D843,212 S \* 3/2019 Seiders ..... D7/392.1  
D850,849 S \* 6/2019 Ke ..... D7/396.2  
D853,236 S \* 7/2019 Yao ..... D9/439  
D853,237 S \* 7/2019 Yao ..... D9/439  
D862,228 S \* 10/2019 Yao ..... D7/392.1  
D872,524 S \* 1/2020 Bo ..... D9/443  
D880,230 S \* 4/2020 Jacobsen ..... D7/396.2  
10,661,949 B2 \* 5/2020 Hein ..... B65D 51/242  
D894,671 S \* 9/2020 Huang ..... D7/392.1  
D894,672 S \* 9/2020 Huang ..... D7/392.1  
D895,351 S \* 9/2020 Taylor ..... D7/392.1  
D897,761 S \* 10/2020 Zhang ..... D7/392.1  
D899,848 S \* 10/2020 Zhang ..... D7/392.1  
2008/0078787 A1 4/2008 Yelland

2014/0069917 A1 3/2014 Meyers  
2016/0318693 A1 11/2016 Hein  
2018/0009576 A1\* 1/2018 Sullivan ..... B65D 51/1683

OTHER PUBLICATIONS

“KOLD Sports Water Bottle, Wide Mouth, with Caribiner Handle Lid”. Found online Jun. 7, 2017 at amazon.com. Page dated Dec. 1, 2015. Retrieved from [https://www.amazon.com/Hydro-Flask-Double-Insulated-Stainless/dp/B018YHK79E/ref=cm\\_cr\\_arp\\_d\\_product\\_top?ie=UTF8](https://www.amazon.com/Hydro-Flask-Double-Insulated-Stainless/dp/B018YHK79E/ref=cm_cr_arp_d_product_top?ie=UTF8).  
“Klean Kanteen Pint Lid”. Found online Feb. 7, 2020 at amazon.com. Page dated Nov. 17, 2009. Retrieved from [https://www.amazon.com/Klean-Kanteen-Stainless-D-Ring-Bottle/dp/B00931KZGY/ref=cm\\_cr\\_arp\\_d\\_product\\_top?ie=UTF8](https://www.amazon.com/Klean-Kanteen-Stainless-D-Ring-Bottle/dp/B00931KZGY/ref=cm_cr_arp_d_product_top?ie=UTF8).  
Office action filed in U.S. Appl. No. 29/672,029 dated Feb. 13, 2020.

\* cited by examiner

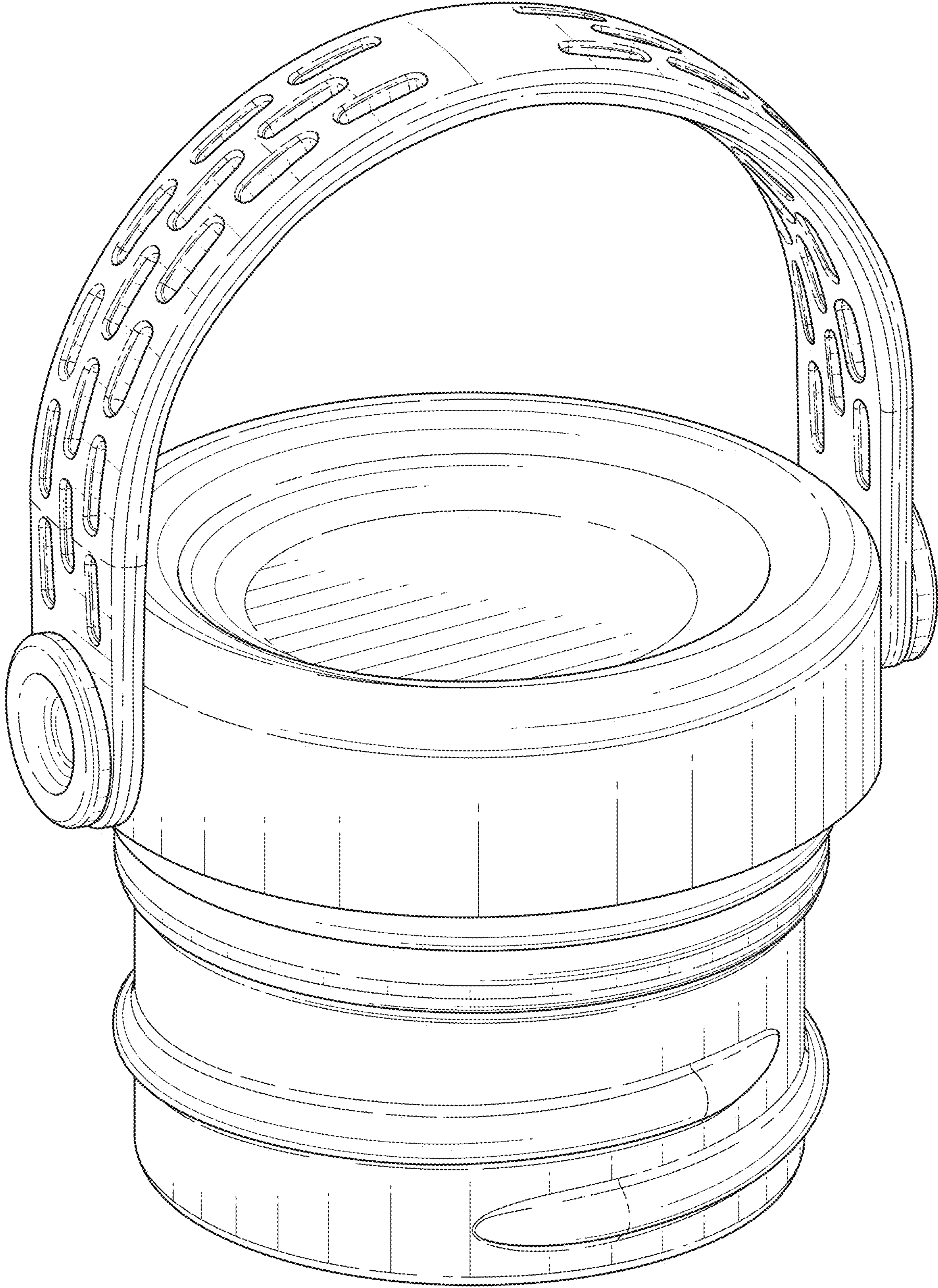


FIG. 1

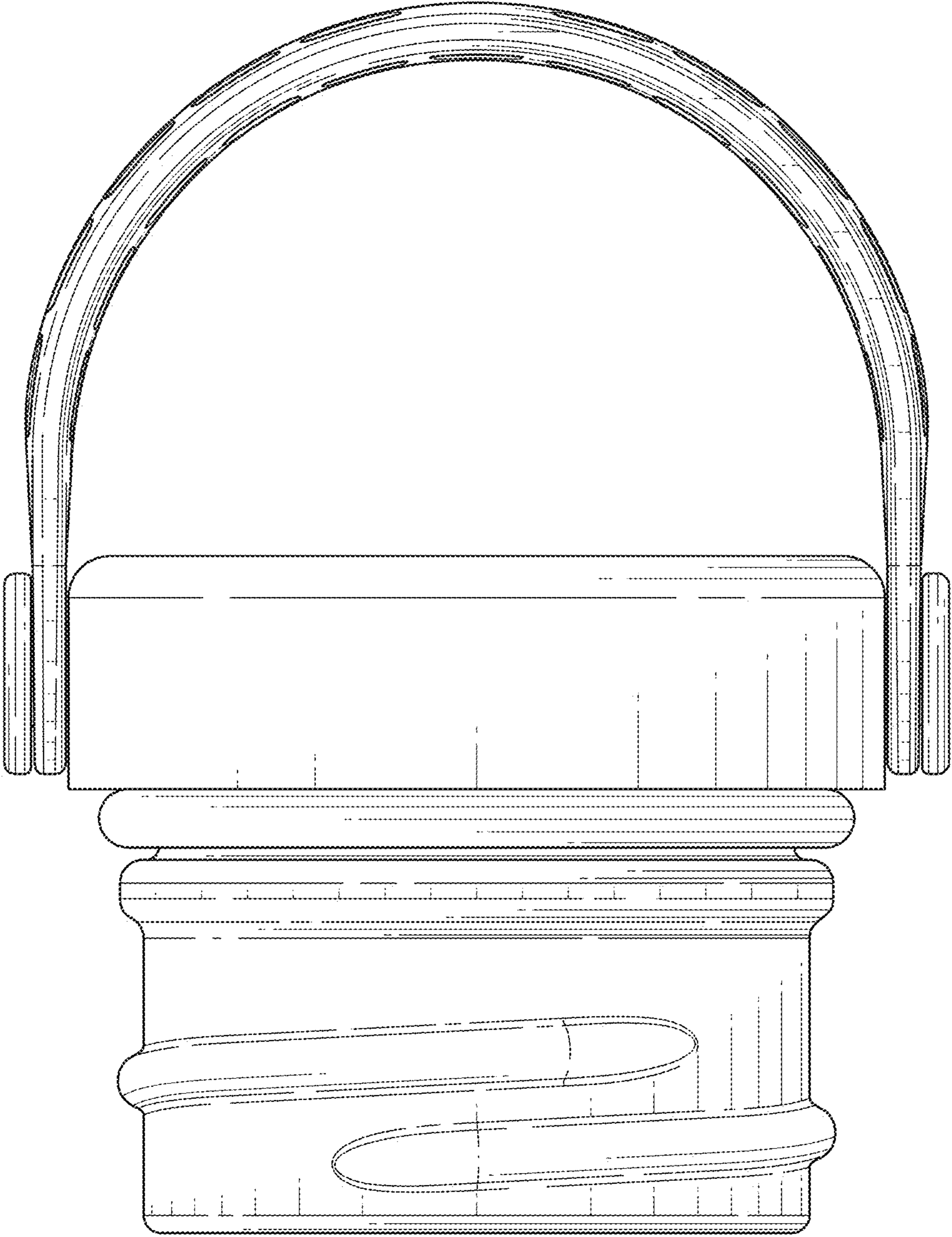


FIG. 2

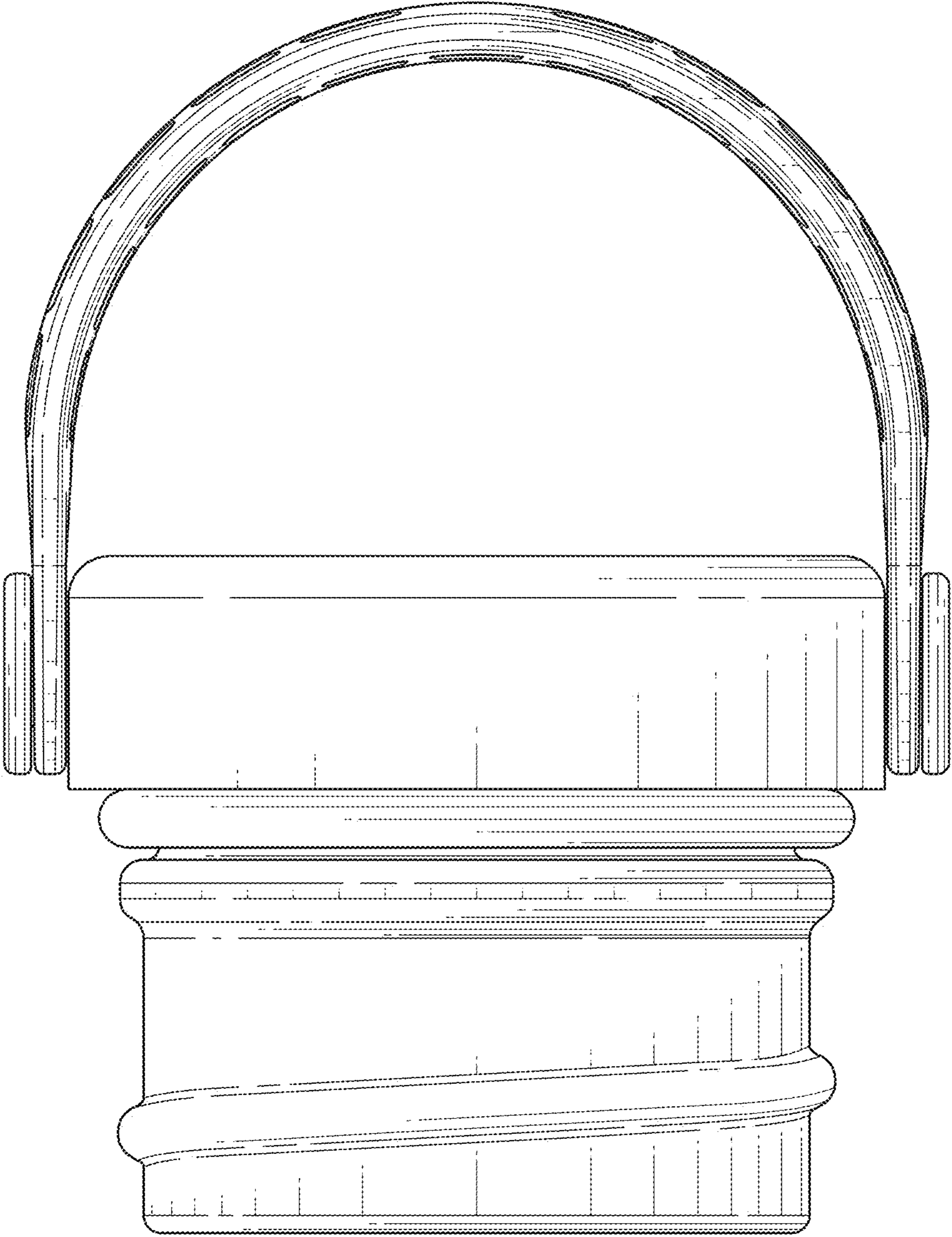


FIG. 3

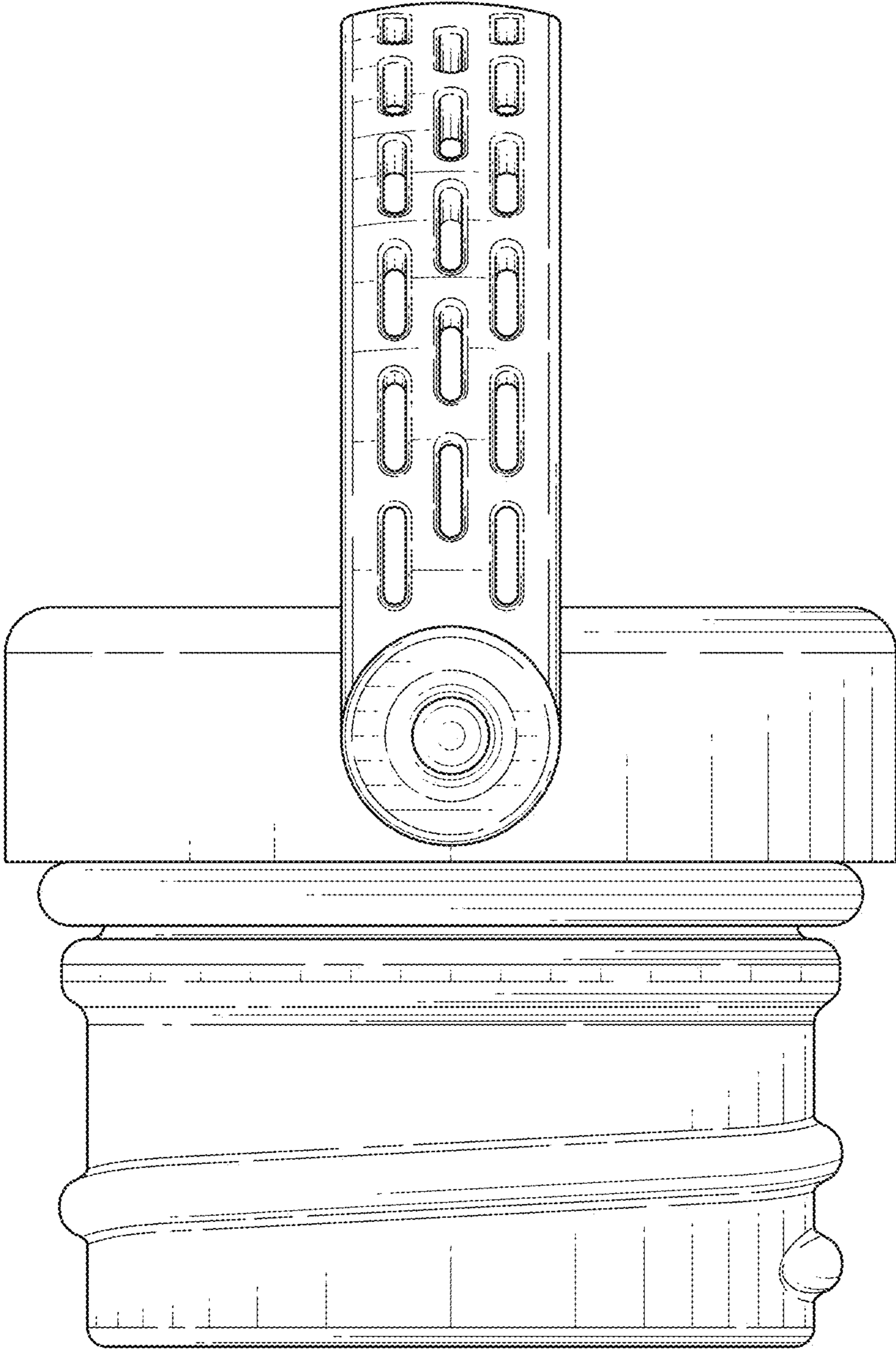


FIG. 4

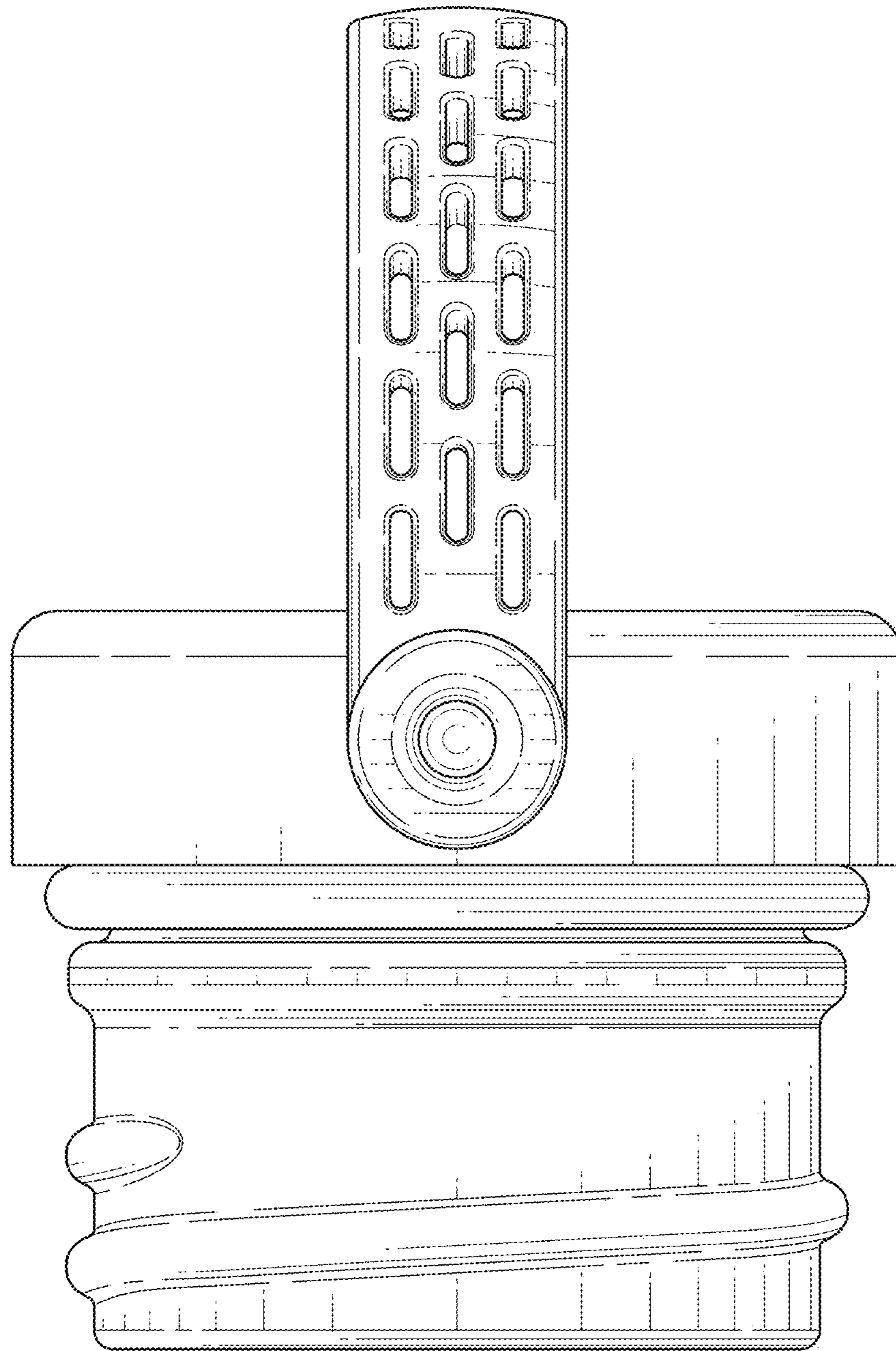


FIG. 5

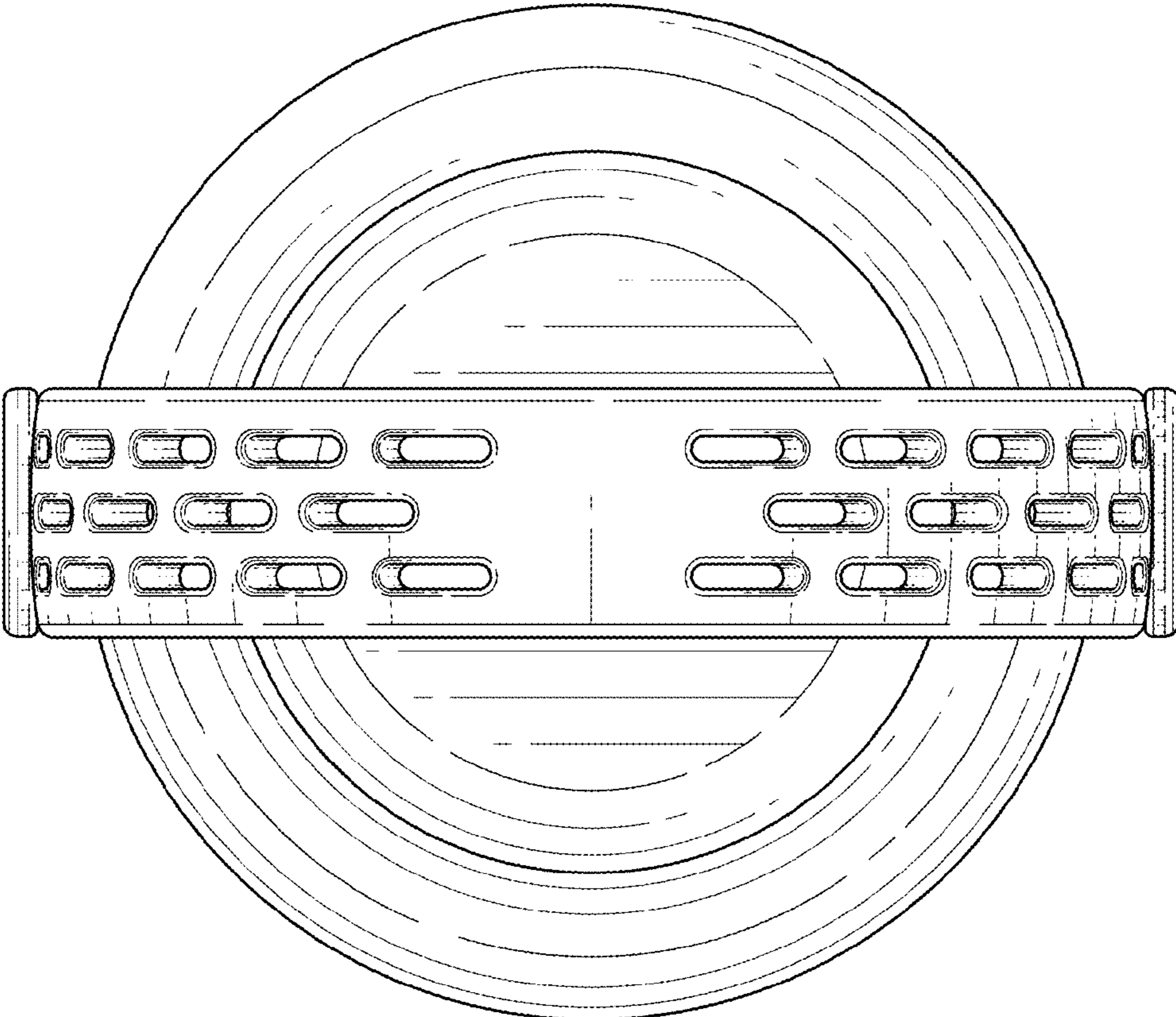


FIG. 6

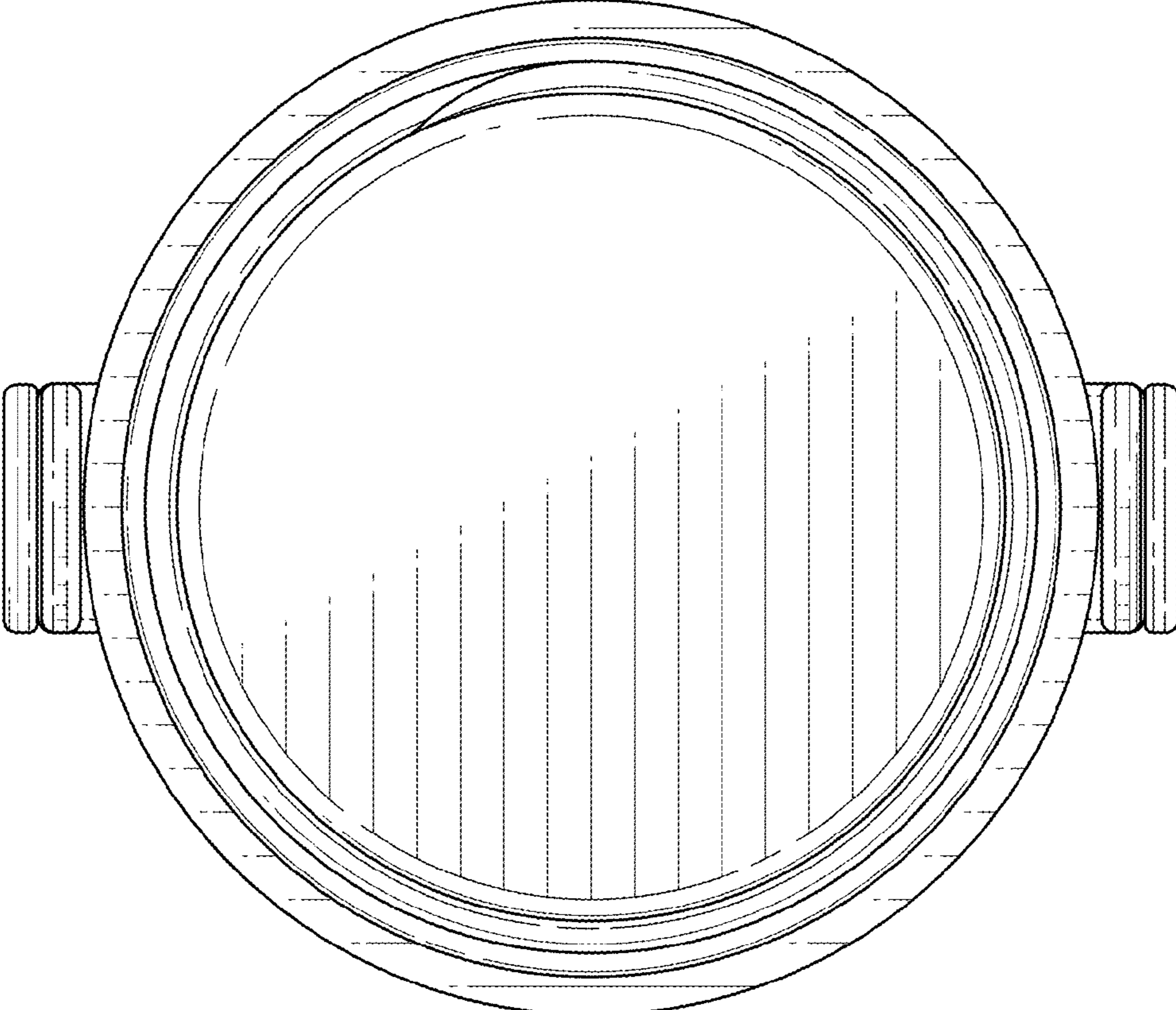


FIG. 7