



US00D911097S

(12) **United States Design Patent**  
**Chen**

(10) **Patent No.:** **US D911,097 S**

(45) **Date of Patent:** **\*\* Feb. 23, 2021**

(54) **FOOD PROCESSOR**

(71) Applicant: **Xiaowei Chen**, Guangdong (CN)

(72) Inventor: **Xiaowei Chen**, Guangdong (CN)

(\*\*) Term: **15 Years**

(21) Appl. No.: **29/710,719**

(22) Filed: **Oct. 25, 2019**

(51) **LOC (13) Cl.** ..... **31-00**

(52) **U.S. Cl.**

USPC ..... **D7/384**; D7/381; D7/401.2

(58) **Field of Classification Search**

USPC ..... D7/372, 376–386, 401.2, 412–413, 602,  
D7/629, 665–666, 669, 679, 693–694

CPC ..... A21C 1/02; A21C 1/04; A22C 17/0033;  
A23N 1/00; A23N 1/02; A47J 17/16;  
A47J 43/04; A47J 43/25; A47J 43/27;  
A47J 43/042; A47J 43/044; A47J 43/046;  
A47J 43/075; A47J 43/0722; A47J  
43/0727; B01F 3/00; B01F 3/0807; B01F  
3/0853; B01F 13/0059; B01F 13/0064;  
B02C 1/08; B02C 2/04; B02C 4/42;  
B02C 4/142; B02C 4/143; B02C 4/423;  
B02C 13/1835; B26D 3/11; B26D 3/185;  
B28C 5/10; B28C 5/12; B28C 5/14;  
B28C 5/16

See application file for complete search history.

(56) **References Cited**

**U.S. PATENT DOCUMENTS**

1,008,555	A *	11/1911	Mower	.....	A47J 17/16 99/598
2,299,092	A *	10/1942	Johnson	.....	B26D 3/185 83/425.1
2,508,868	A *	5/1950	Ross	.....	B26D 3/11 241/276

5,950,528	A *	9/1999	Wang	.....	A47J 17/16 99/542
6,053,098	A *	4/2000	Yamamoto	.....	B26D 3/11 83/425.1
6,854,383	B2 *	2/2005	Wang	.....	A47J 17/16 99/542
D535,534	S *	1/2007	Wong	.....	D7/693
D669,324	S *	10/2012	Bodum	.....	D7/693
D773,894	S *	12/2016	Benoit	.....	D7/412
D793,181	S *	8/2017	Wong	.....	D7/693
10,433,559	B2 *	10/2019	DeVito	.....	A22C 17/0033
D901,242	S *	11/2020	McConnell	.....	D7/401.2
D901,970	S *	11/2020	Benoit	.....	D7/401.2

\* cited by examiner

*Primary Examiner* — Ricky Pham

(74) *Attorney, Agent, or Firm* — Li & Cai Intellectual Property (USA) Office

(57) **CLAIM**

The ornamental design for a food processor, as shown and described.

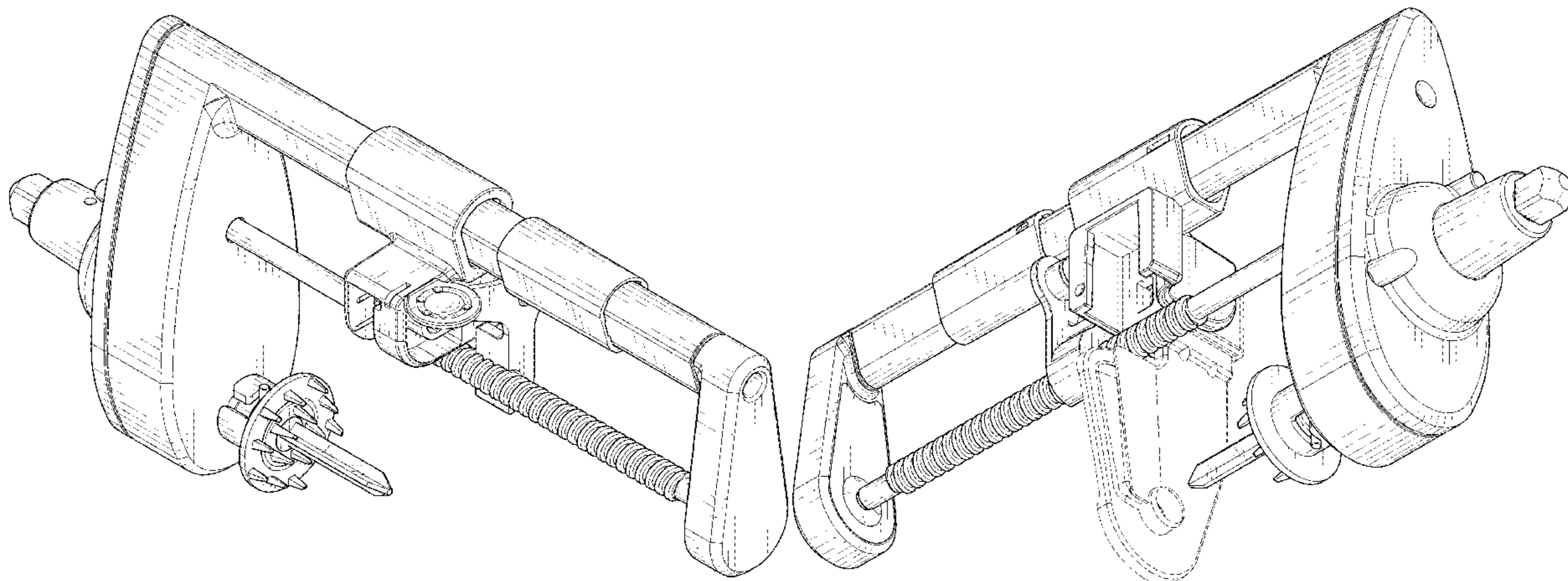
**DESCRIPTION**

FIG. 1 is a front, top and right perspective view of a food processor showing my new design;  
FIG. 2 is a front elevational view thereof;  
FIG. 3 is a rear elevational view thereof;  
FIG. 4 is a left side elevational view thereof;  
FIG. 5 is a right side elevational view thereof;  
FIG. 6 is a top plan view thereof;  
FIG. 7 is a bottom plan view thereof; and,  
FIG. 8 is a rear, bottom and left perspective view thereof with a slicer.

The broken lines depict portions of the food processor in which the design is embodied that forms no part of the claimed design.

The broken lines depict environment that forms no part of the claimed design.

**1 Claim, 6 Drawing Sheets**



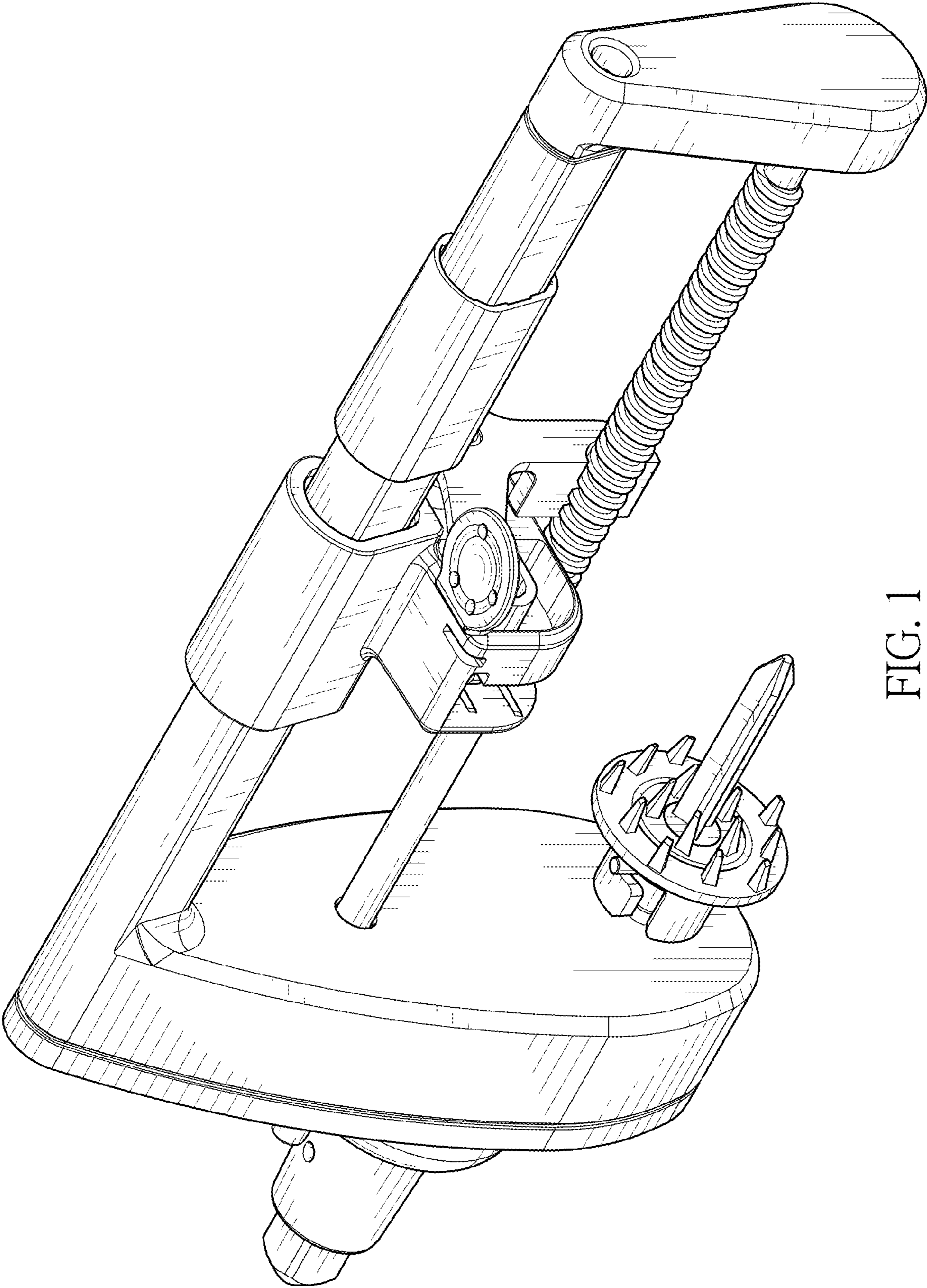


FIG. 1

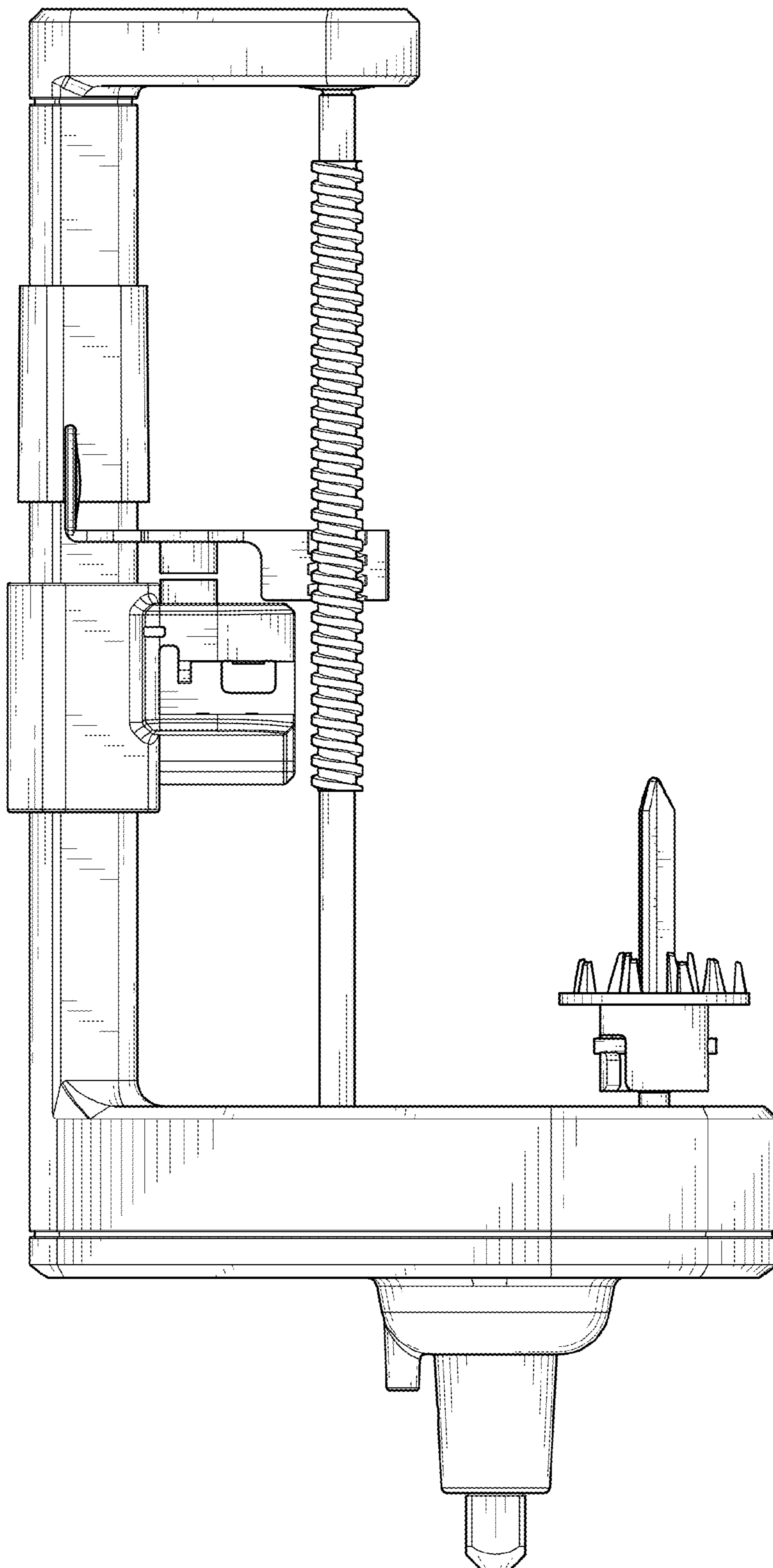


FIG. 2

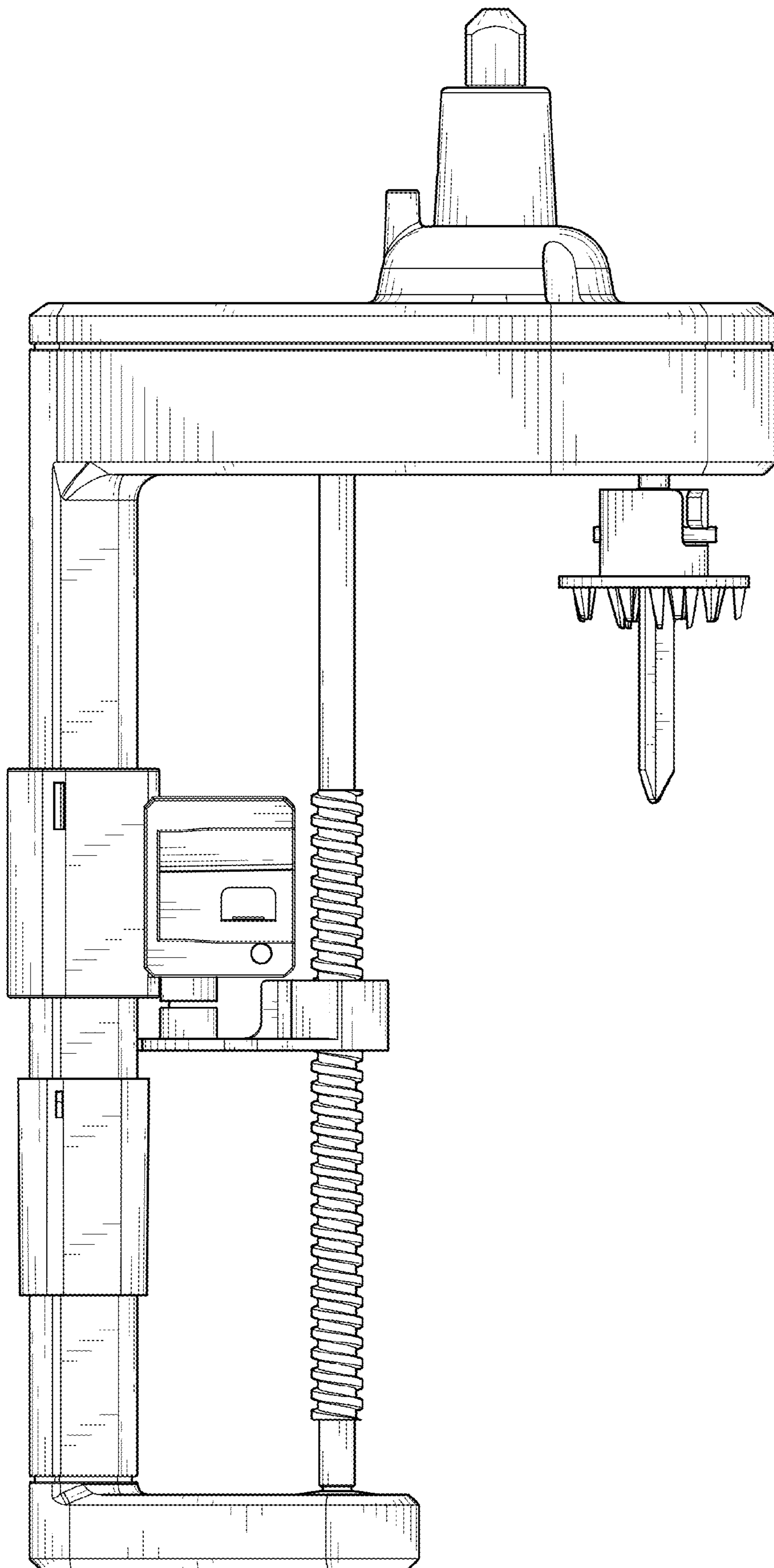


FIG. 3

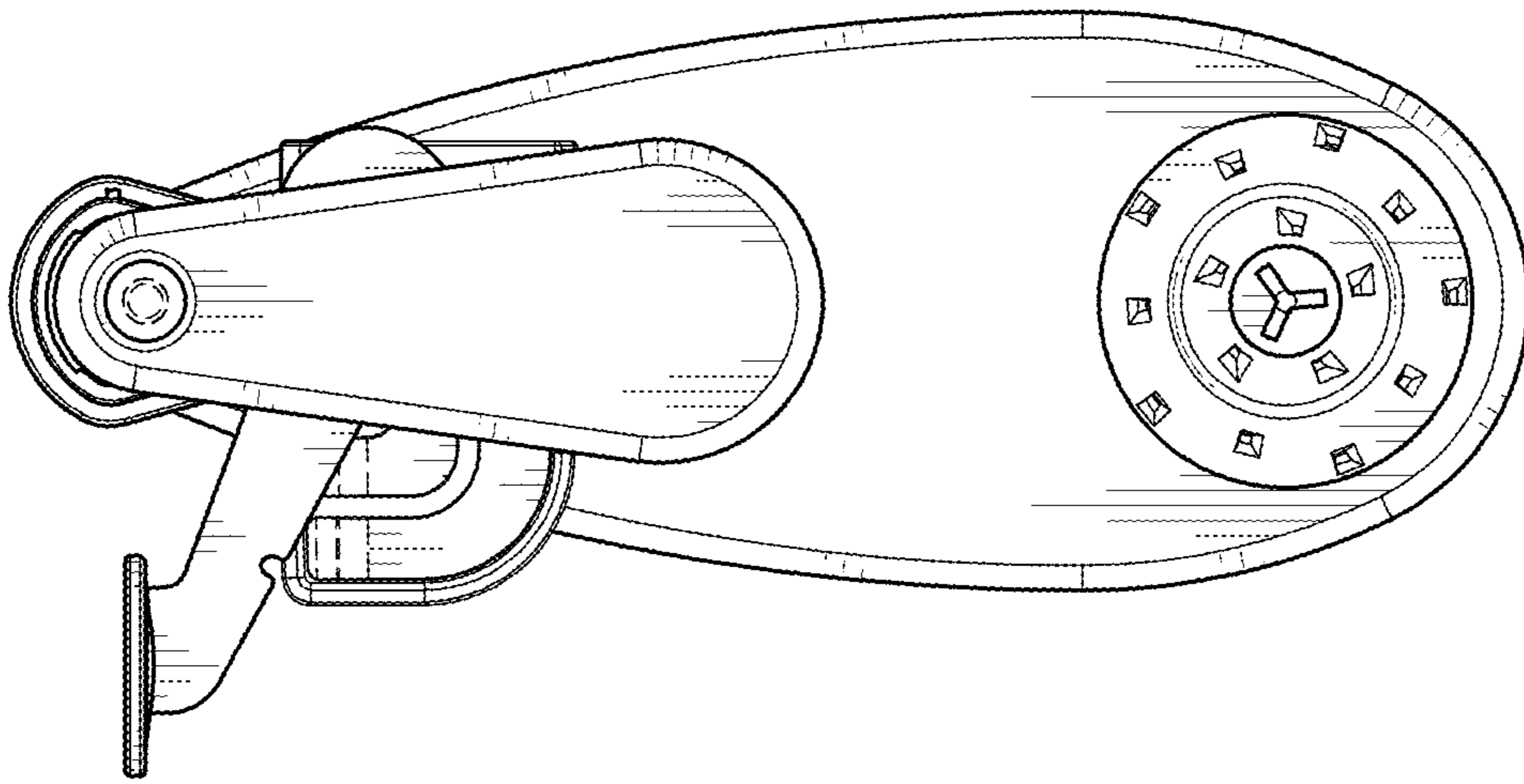


FIG. 5

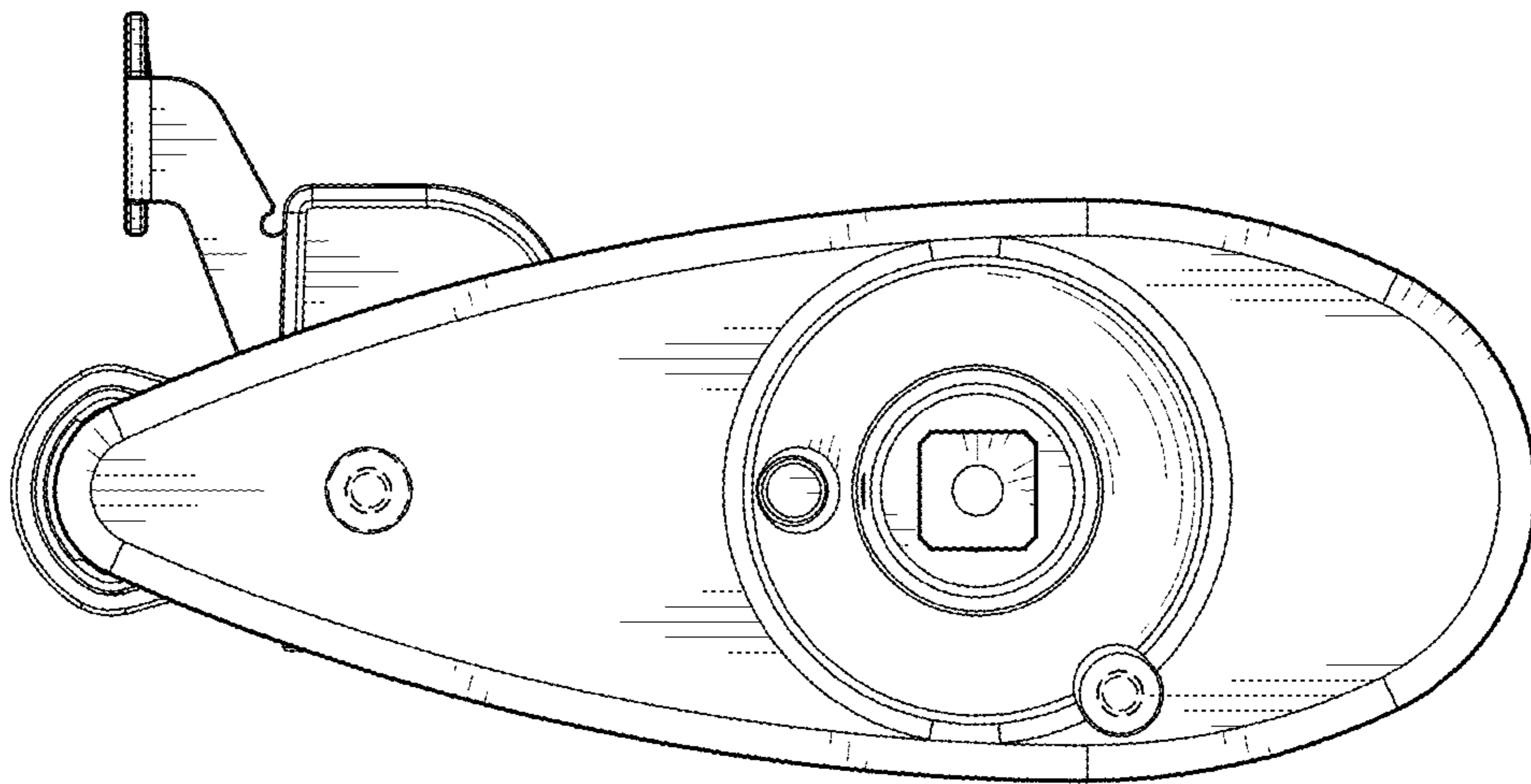


FIG. 4

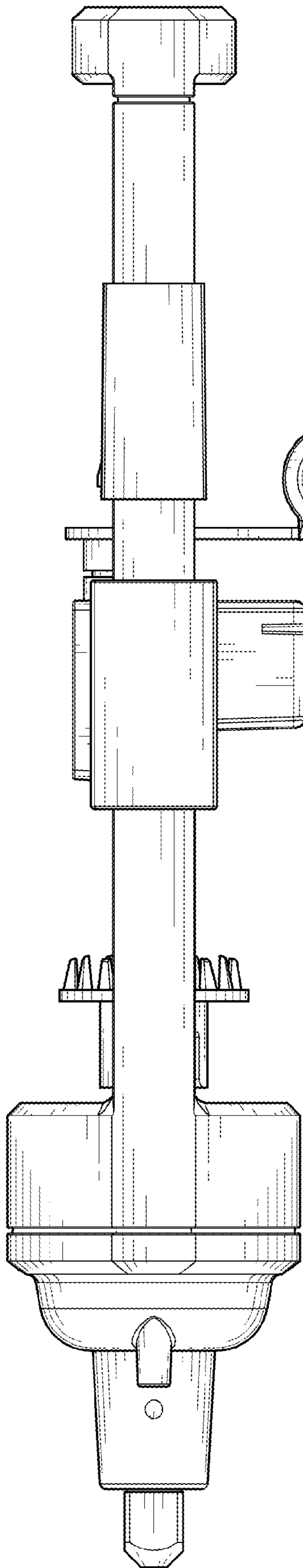


FIG. 6

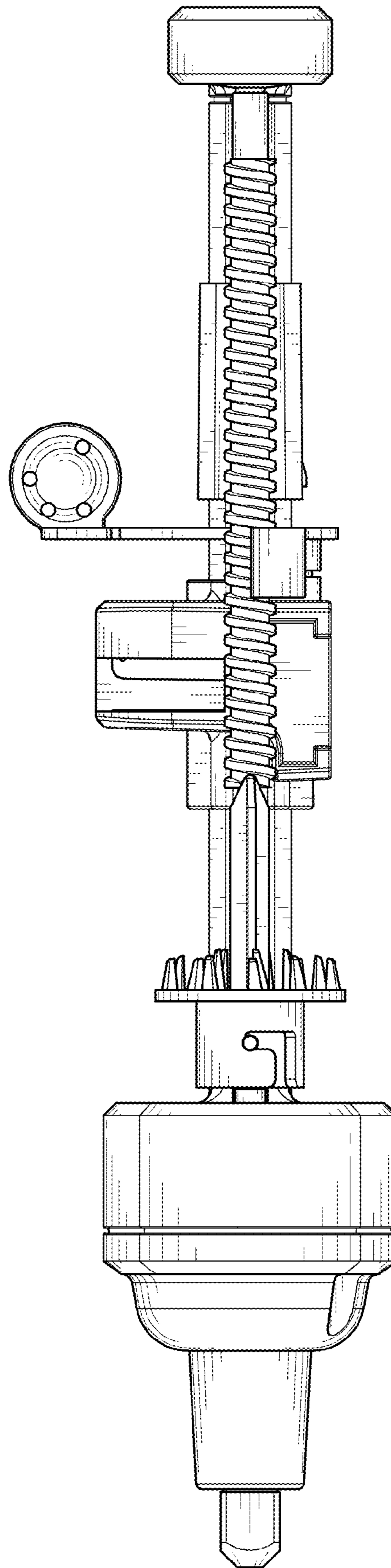


FIG. 7

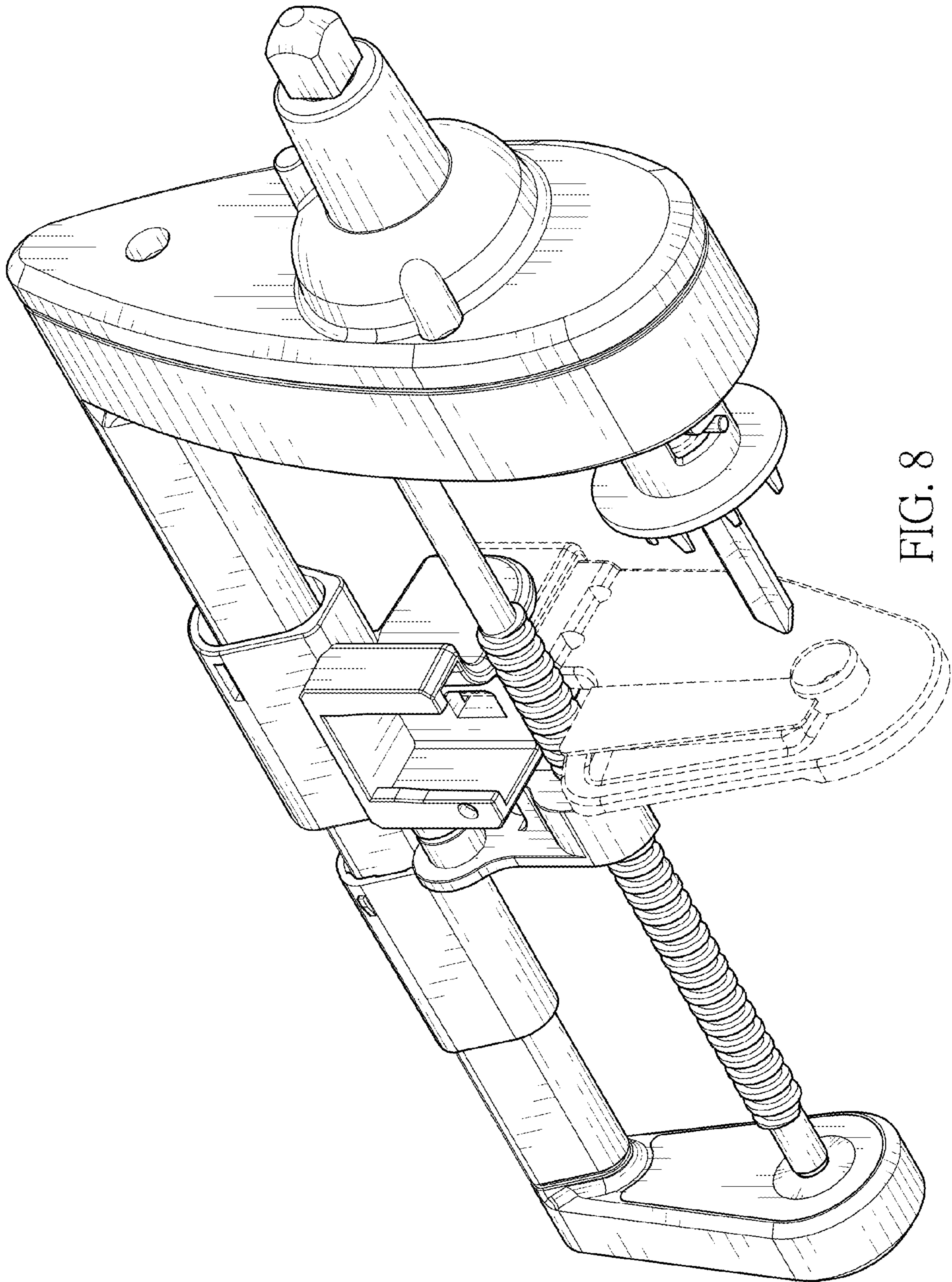


FIG. 8