



US00D911096S

(12) **United States Design Patent** (10) **Patent No.:** **US D911,096 S**
McConnell et al. (45) **Date of Patent:** **** Feb. 23, 2021**

(54) **ELECTRIC MIXER**

(56) **References Cited**

(71) Applicant: **WHIRLPOOL CORPORATION**,
Benton Harbor, MI (US)

U.S. PATENT DOCUMENTS

(72) Inventors: **John W. McConnell**, St. Joseph, MI
(US); **Yifan Wang**, St. Joseph, MI
(US); **Wenkai Wu**, Aurora, IL (US)

D170,884 S	*	11/1953	Morgan	D7/379
D173,624 S	*	12/1954	Madl	D7/379
D178,266 S		7/1956	Swann		
D204,408 S		4/1966	Fischer		
D210,682 S		4/1968	De Fano et al.		
D255,760 S		7/1980	Ernest et al.		
4,568,193 A		2/1986	Conti et al.		
D329,165 S		9/1992	Doggett		
D329,166 S		9/1992	Doggett		
D336,405 S		6/1993	Maass		
D337,667 S		7/1993	Lovett		
D362,783 S		10/1995	Cruz		
D367,400 S		2/1996	Viemeister et al.		
D387,244 S		12/1997	Ivy et al.		

(73) Assignee: **Whirlpool Corporation**, Benton
Harbor, MI (US)

(**) Term: **15 Years**

(21) Appl. No.: **29/741,998**

(22) Filed: **Jul. 17, 2020**

(Continued)

Related U.S. Application Data

(63) Continuation of application No. 29/682,091, filed on
Mar. 1, 2019, now Pat. No. Des. 892,539.

(51) **LOC (13) Cl.** **31-00**

(52) **U.S. Cl.**
USPC **D7/379**; D7/376

(58) **Field of Classification Search**
USPC D7/354, 372, 376-386, 397, 412-413,
D7/602, 629, 665-666, 669, 679, 690,
D7/693-694

CPC A21C 1/02; A21C 1/04; A23N 1/00; A23N
1/02; A47J 43/04; A47J 43/25; A47J
43/27; A47J 43/042; A47J 43/044; A47J
43/046; A47J 43/075; A47J 43/0722;
A47J 43/0727; A47J 43/082; B01F 3/00;
B01F 3/0807; B01F 3/0853; B01F
13/0059; B01F 13/0064; B02C 1/08;
B02C 2/04; B02C 4/42; B02C 4/142;
B02C 4/143; B02C 4/423; B02C 13/1835;
B28C 5/10; B28C 5/12; B28C 5/14;
B28C 5/16

See application file for complete search history.

OTHER PUBLICATIONS

Shardor Hand Mixer Powerful 300W Ultra Power Electric Hand
Mixer. Date First Available on Amazon.com May 25, 2020. <https://www.amazon.com/dp/B0894S5KMT> (Year: 2020).*

Primary Examiner — Ricky Pham

(74) *Attorney, Agent, or Firm* — Price Heneveld LLP

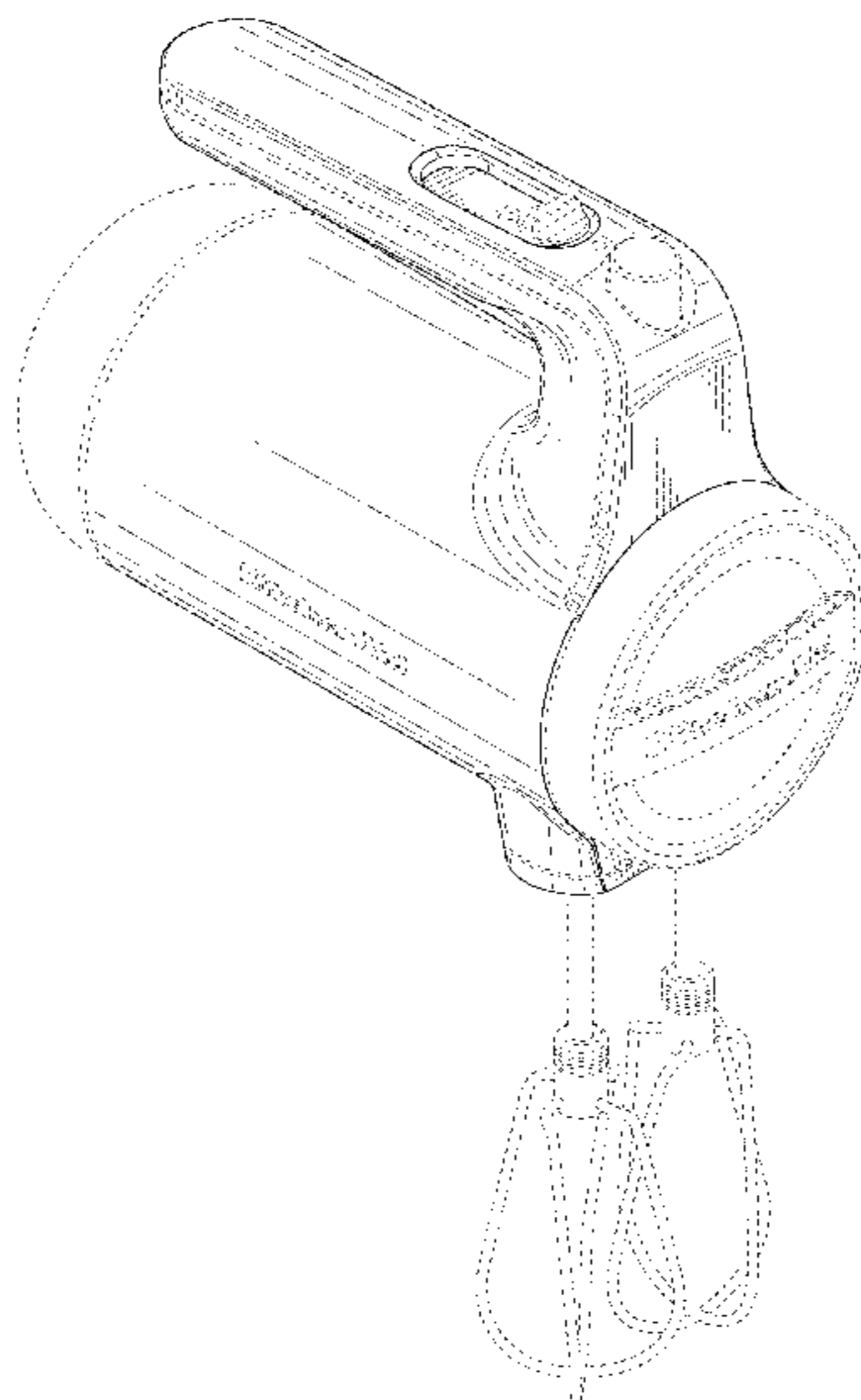
(57) **CLAIM**

The ornamental design for an electric mixer, as shown and
described.

DESCRIPTION

FIG. 1 is a perspective view of an electric mixer according
to a the claimed design;
FIG. 2 is a front elevation view thereof;
FIG. 3 is a back elevation view thereof;
FIG. 4 is a right side elevation view thereof;
FIG. 5 is a left side elevation view thereof;
FIG. 6 is a top plan view thereof; and,
FIG. 7 is a bottom plan view thereof.
The portions of the article shown in broken line form no part
of the claimed design.

1 Claim, 7 Drawing Sheets



(56)

References Cited

U.S. PATENT DOCUMENTS

D392,505 S * 3/1998 Tanaka D7/379
D396,991 S 8/1998 Lallemand
D400,049 S 10/1998 Wanat et al.
D416,168 S 11/1999 Huang
5,979,850 A 11/1999 Hippen et al.
D418,010 S 12/1999 Chan
D419,365 S 1/2000 Endres
D419,366 S 1/2000 Tse
D433,593 S 11/2000 Mattijssen
6,234,663 B1 5/2001 Lecerf et al.
D471,758 S 3/2003 Wilson
D475,264 S 6/2003 Kondo et al.
6,572,254 B1 6/2003 Marriere et al.
6,585,403 B2 7/2003 Krall et al.
D478,467 S 8/2003 Holderfield et al.
6,637,925 B1 10/2003 Beaudet et al.
6,726,353 B1 4/2004 Beaudet et al.
D504,592 S * 5/2005 Wanat D7/379
D539,603 S 4/2007 Holderfield et al.
D540,115 S 4/2007 Picozza et al.
D588,865 S 3/2009 Ferraby
D593,360 S 6/2009 Lee
D628,012 S 11/2010 Bodum
D665,223 S 8/2012 Haley et al.
D665,224 S 8/2012 Benoit et al.
D665,618 S * 8/2012 Ho D7/354
D756,165 S 5/2016 Lee et al.
D807,109 S 1/2018 Ho et al.
D845,697 S 4/2019 Gordon et al.
D892,539 S * 8/2020 McConnell D7/379
2005/0007867 A1 1/2005 Wanat

* cited by examiner

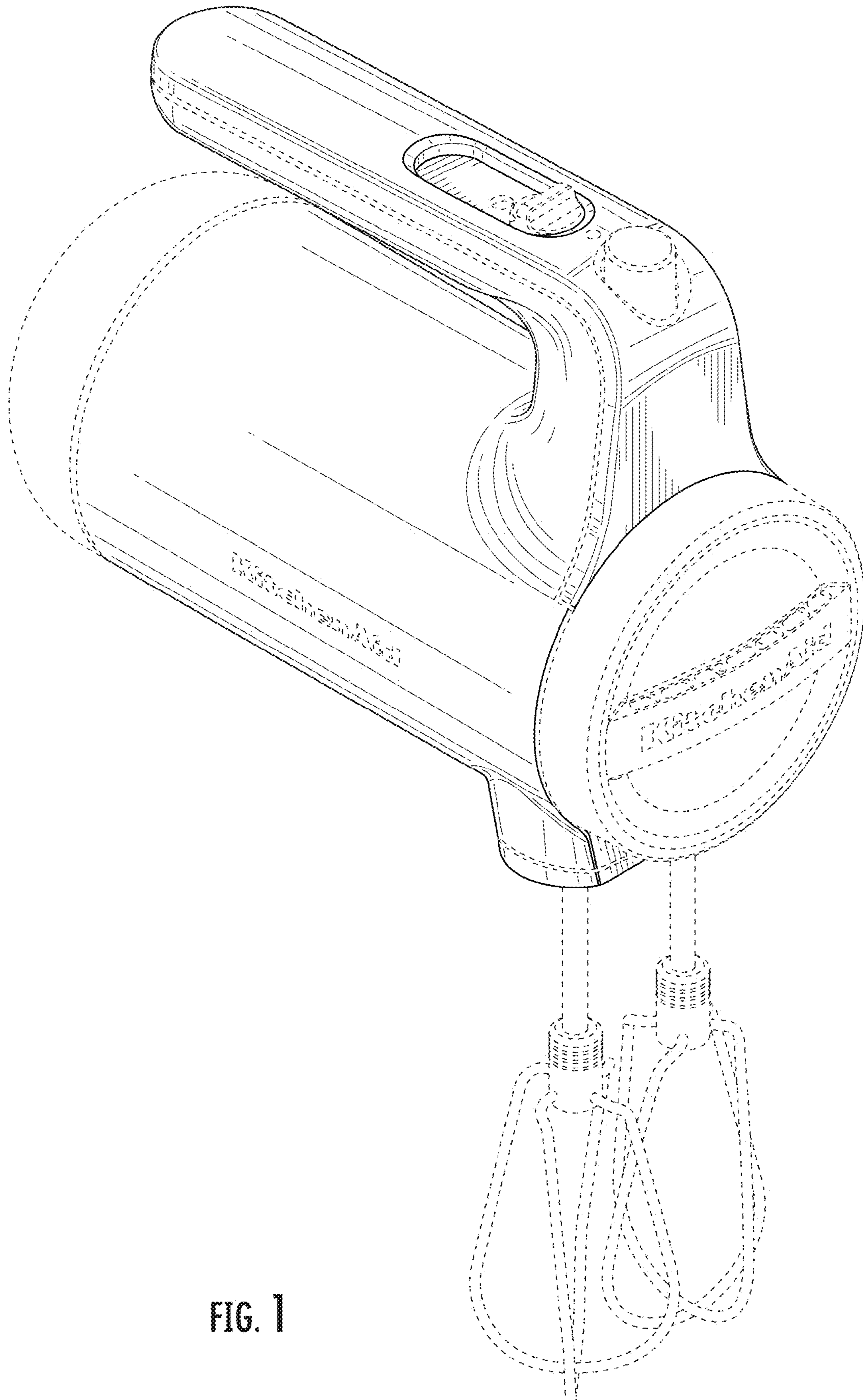


FIG. 1

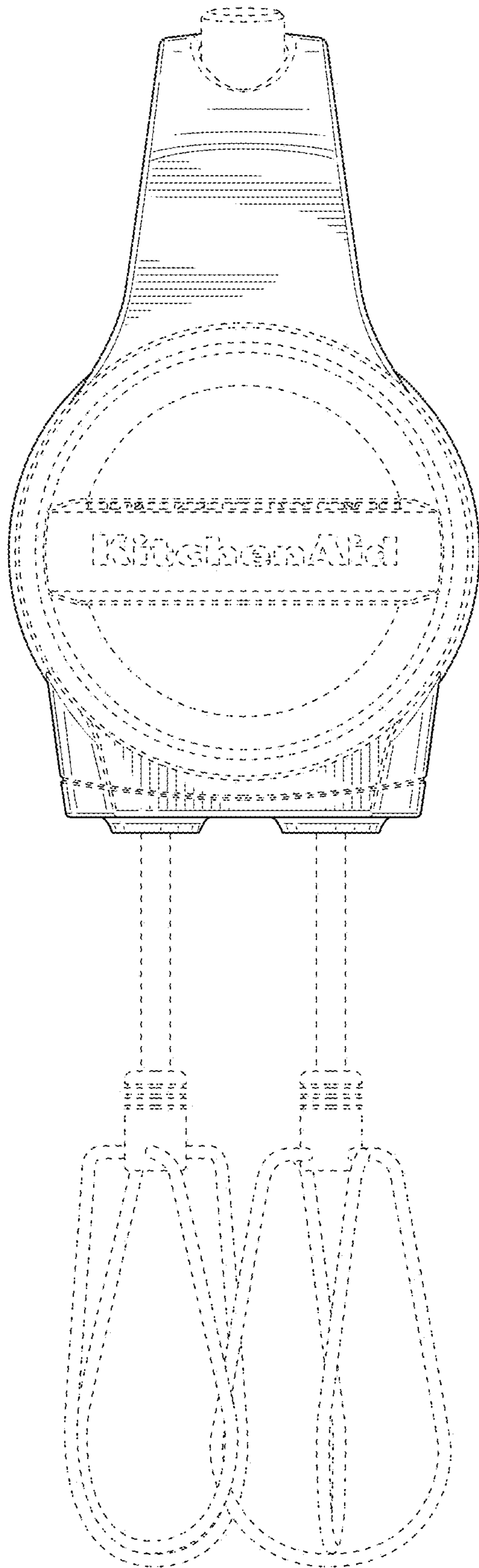


FIG. 2

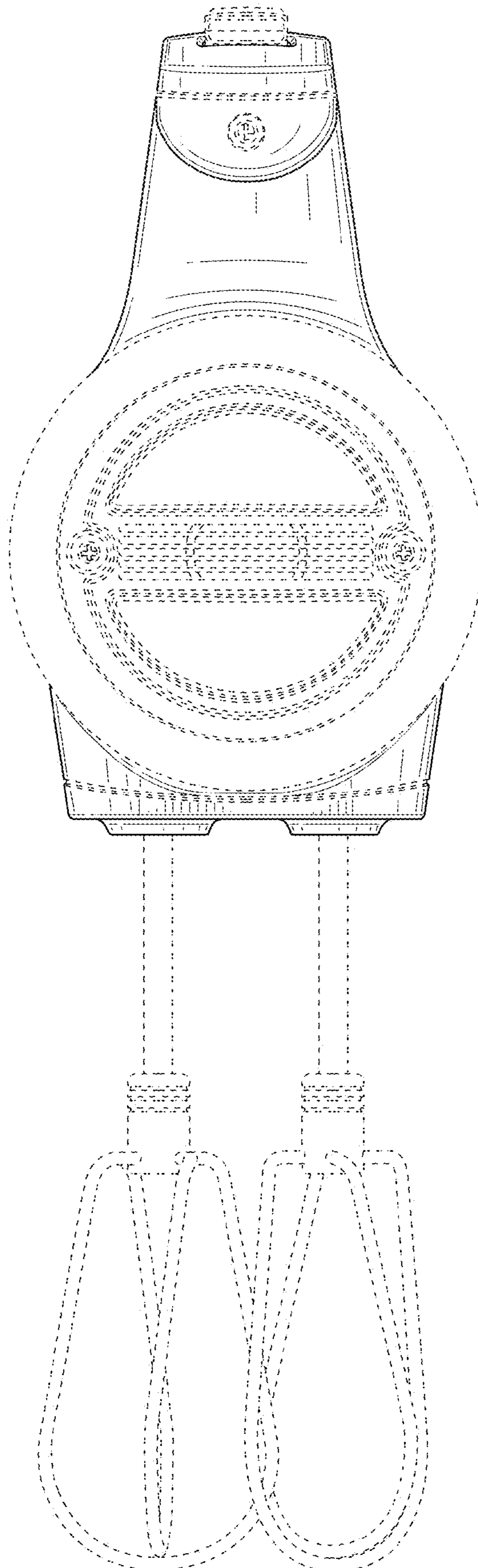


FIG. 3

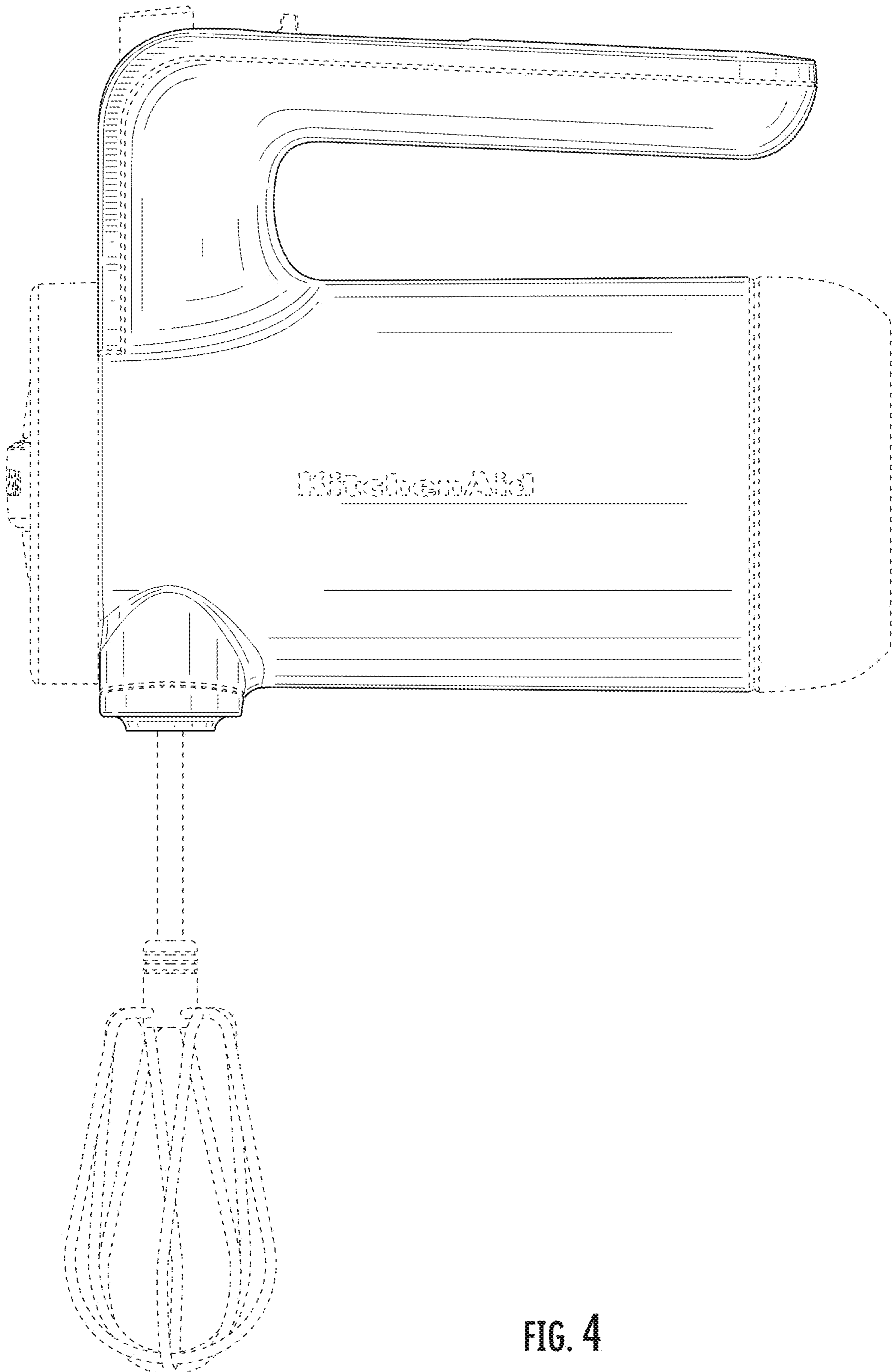


FIG. 4

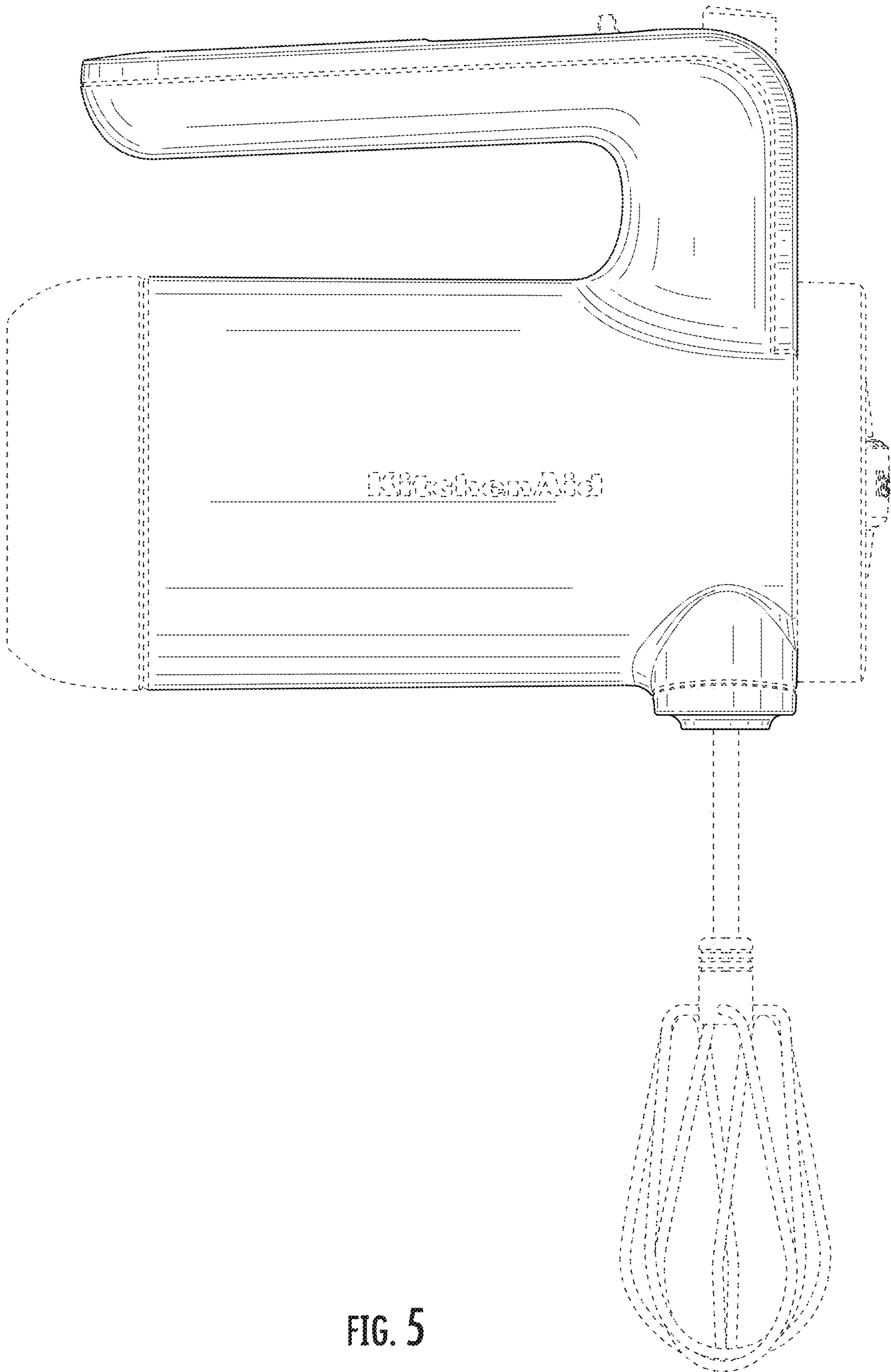


FIG. 5

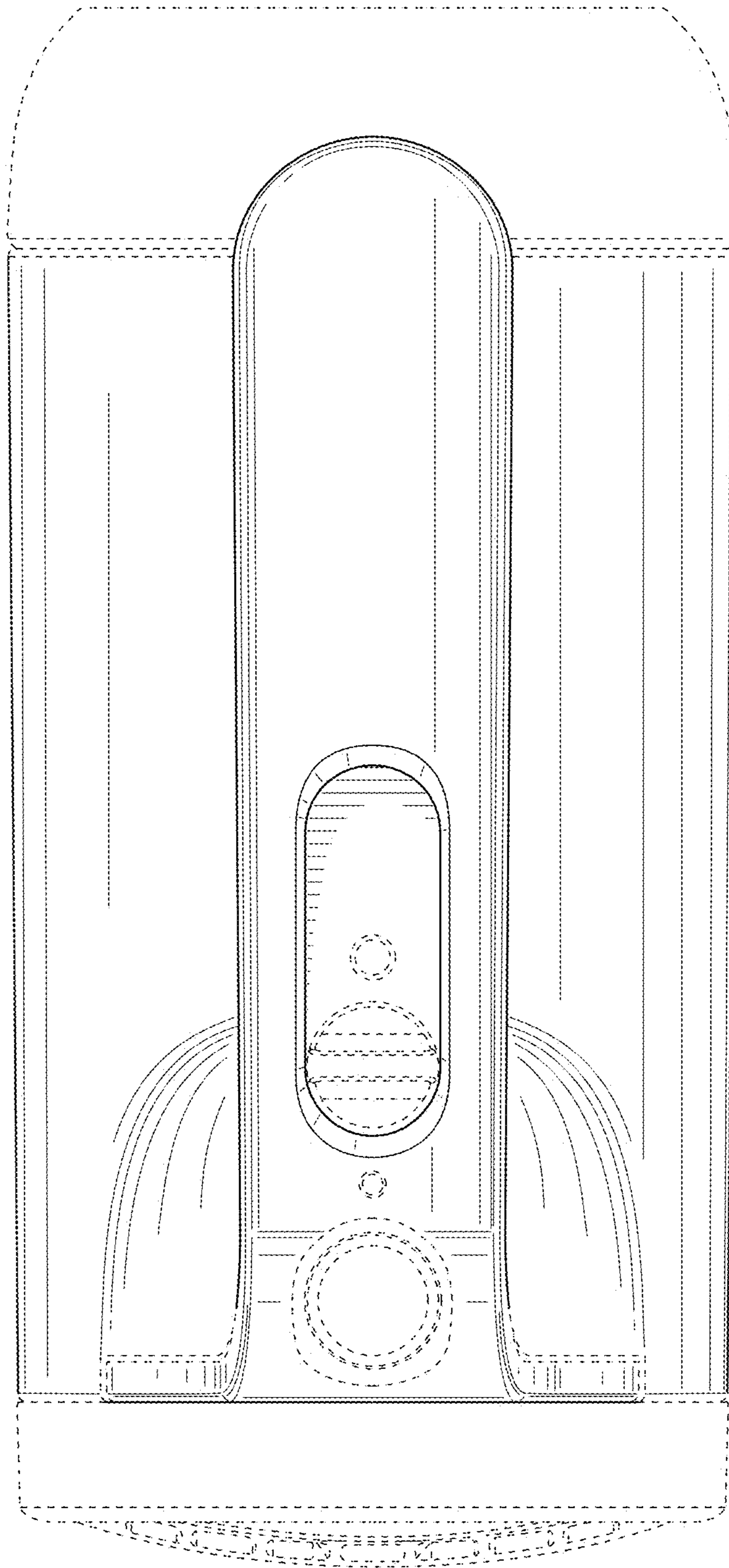


FIG. 6

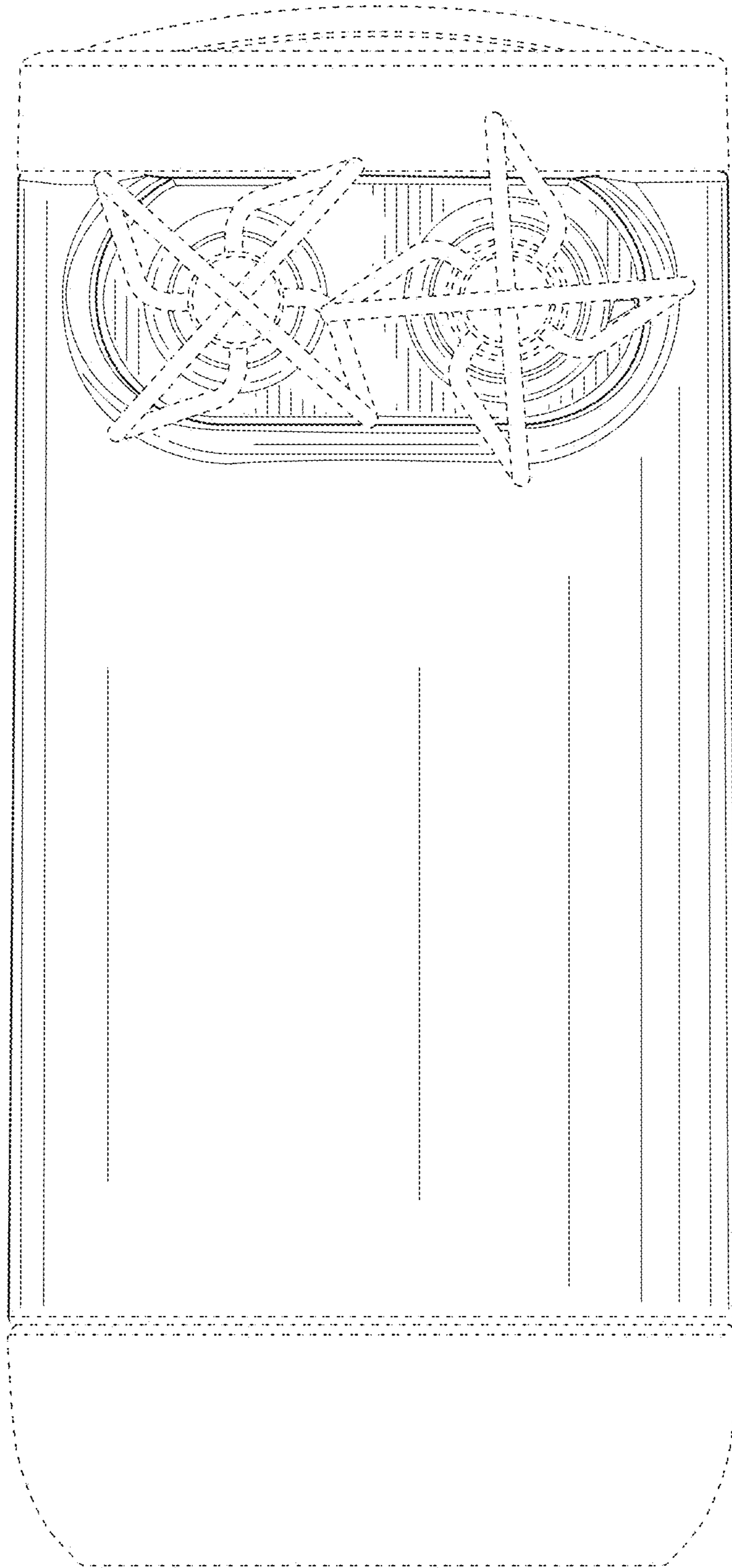


FIG. 7