



US00D911094S

(12) **United States Design Patent** (10) **Patent No.:** **US D911,094 S**
de Smidt (45) **Date of Patent:** **** Feb. 23, 2021**

(54) **FONDUE SET**
(71) Applicant: **Bos Kaasgereedschappen B.V.**,
Bodegraven (NL)
(72) Inventor: **Frank de Smidt**, Bodegraven (NL)
(73) Assignee: **BOS KAASGEREEDSCHAPPEN**
B.V., Bodegraven (NL)
(**) Term: **15 Years**
(21) Appl. No.: **29/657,438**
(22) Filed: **Jul. 23, 2018**
(51) **LOC (13) Cl.** **07-02**
(52) **U.S. Cl.**
USPC **D7/355**; D7/354; D7/357
(58) **Field of Classification Search**
USPC D7/323, 337, 339, 341, 352, 354-357,
D7/360-367, 409-411, 538, 586
CPC A21B 1/06; A21B 1/50; A21B 1/52; A47J
37/04; A47J 37/06; A47J 37/015; A47J
37/067; A47J 37/0611; A47J 37/0629;
A47J 37/0676; F24C 7/06; F24C 7/083;
F24C 15/02; F24C 15/166; H05B 3/20;
H05B 3/40
See application file for complete search history.

D494,005 S * 8/2004 Lagrange D7/360
D525,821 S * 8/2006 Latzman D7/355
D547,112 S * 7/2007 Bodum D7/355
D575,992 S * 9/2008 LeGreve D7/586
D625,149 S * 10/2010 Stamper D7/538
D715,589 S * 10/2014 Nielsen D7/354
D820,028 S * 6/2018 Weernink D7/354

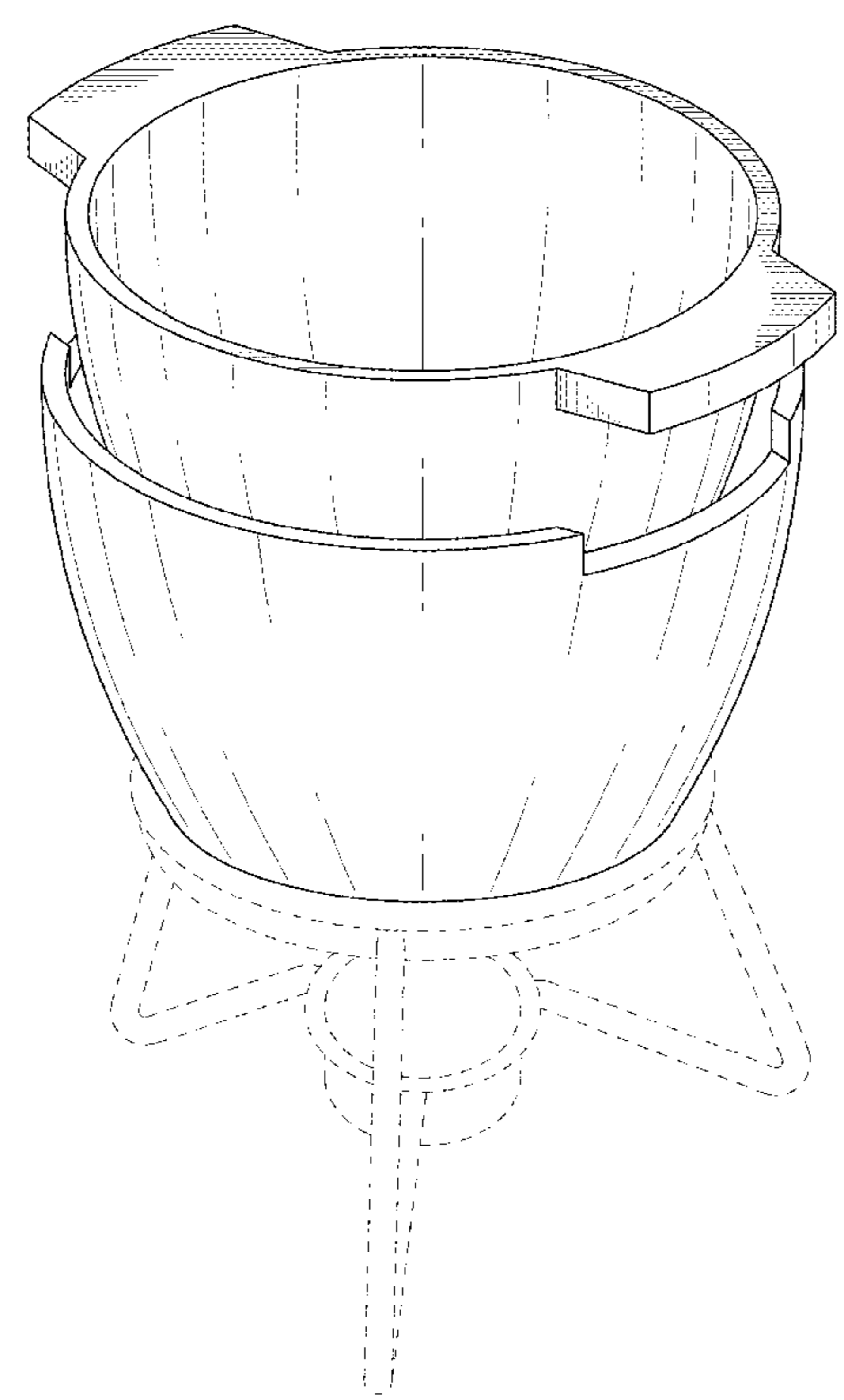
* cited by examiner
Primary Examiner — Ricky Pham
(74) *Attorney, Agent, or Firm* — Jordan IP Law, LLC;
Todd A. Vaughn

(56) **References Cited**
U.S. PATENT DOCUMENTS
D216,409 S * 12/1969 Alberto Porciani D7/355
D448,237 S * 9/2001 Bodum D7/355

(57) **CLAIM**
The ornamental design for a fondue set, as shown and described.

DESCRIPTION
FIG. 1 is a perspective view of an example of a fondue set, in accordance with embodiments;
FIG. 2 is a left side view of the fondue set of FIG. 1;
FIG. 3 is a right view of the fondue set of FIG. 1; and,
FIG. 4 is a top view of the fondue set of FIG. 1.
The broken lines shown in the drawings are for illustrative purposes only and form no part of the claimed design. The views not shown form no part of the claimed design.

1 Claim, 4 Drawing Sheets



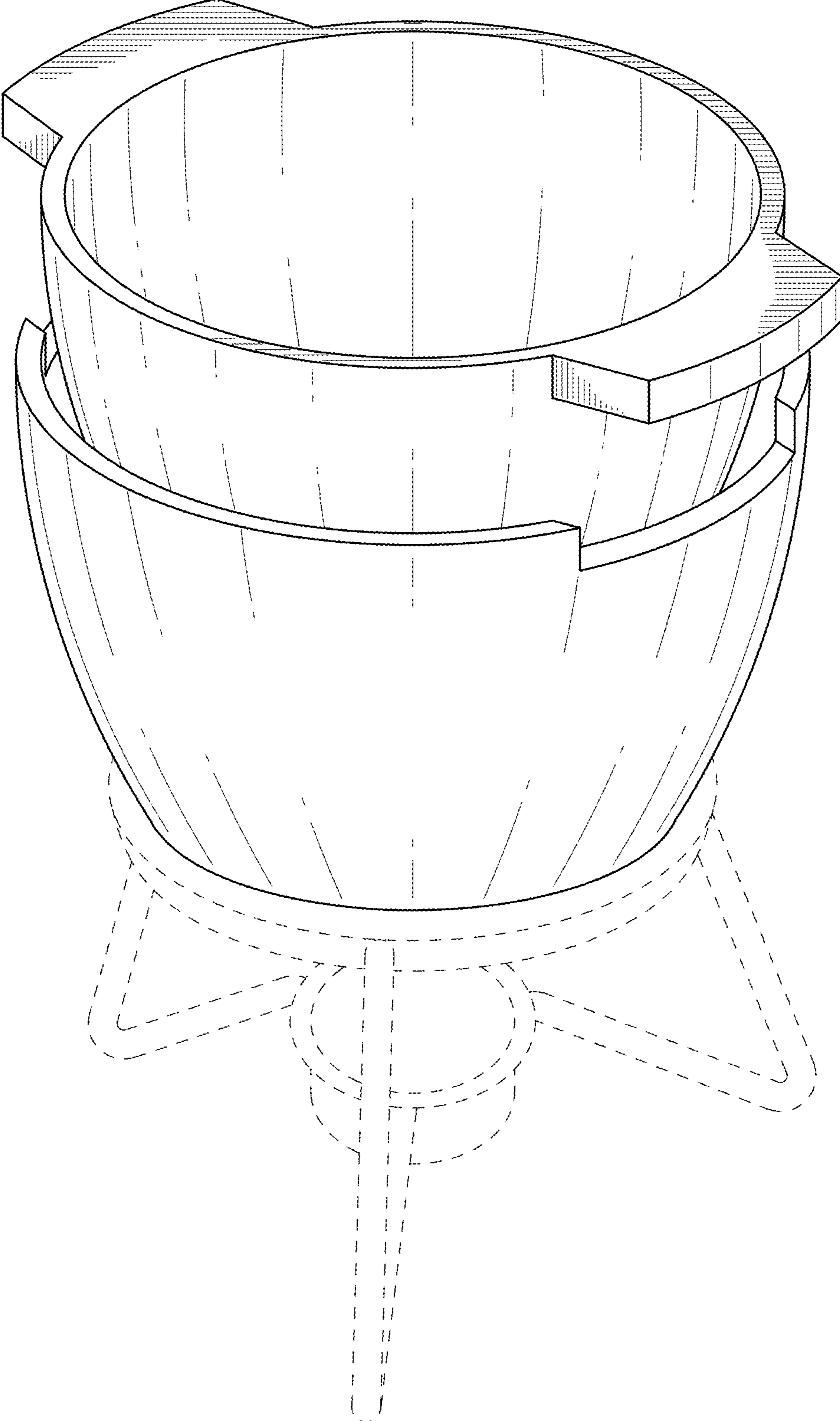


FIG. 1

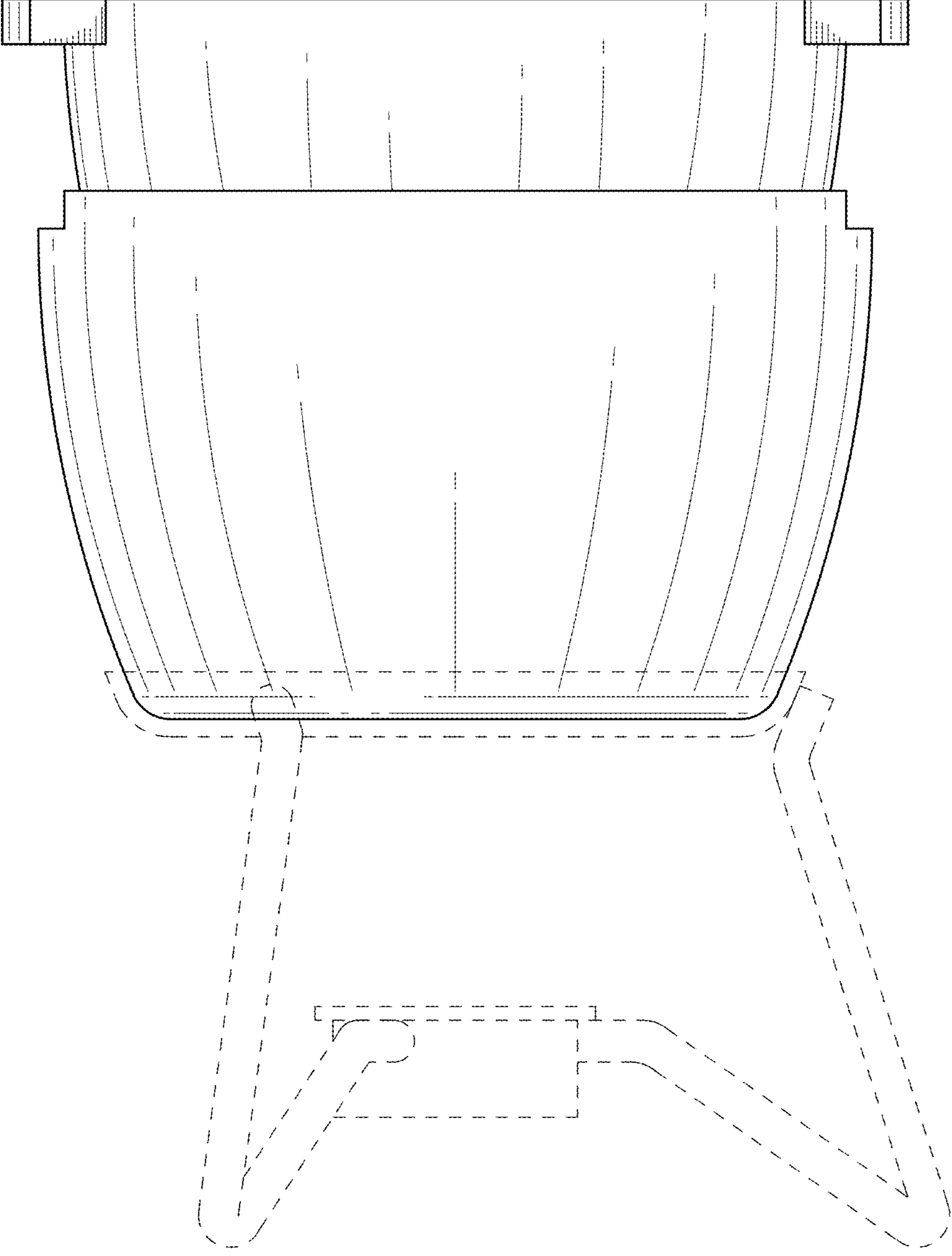


FIG. 2

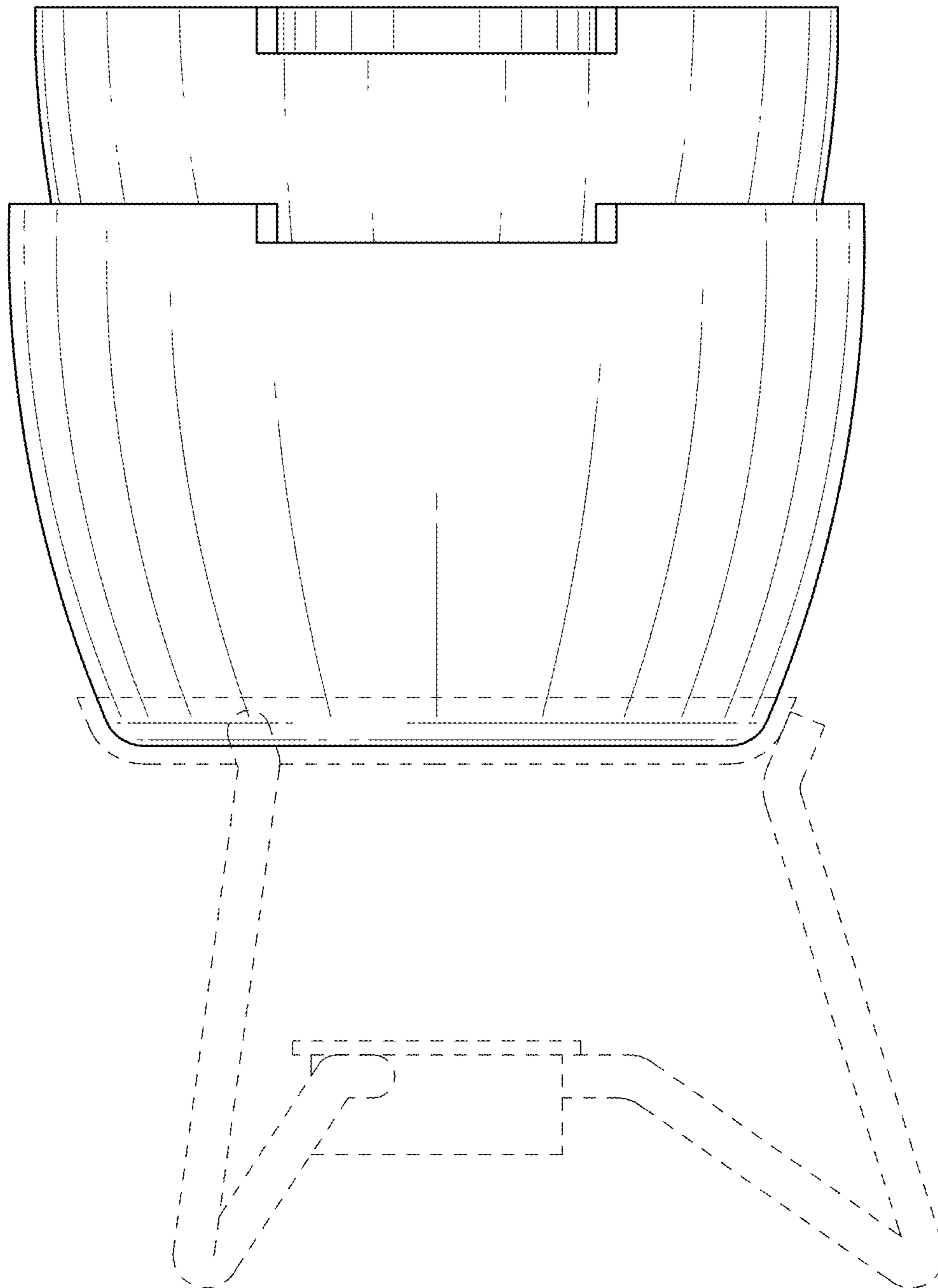


FIG. 3

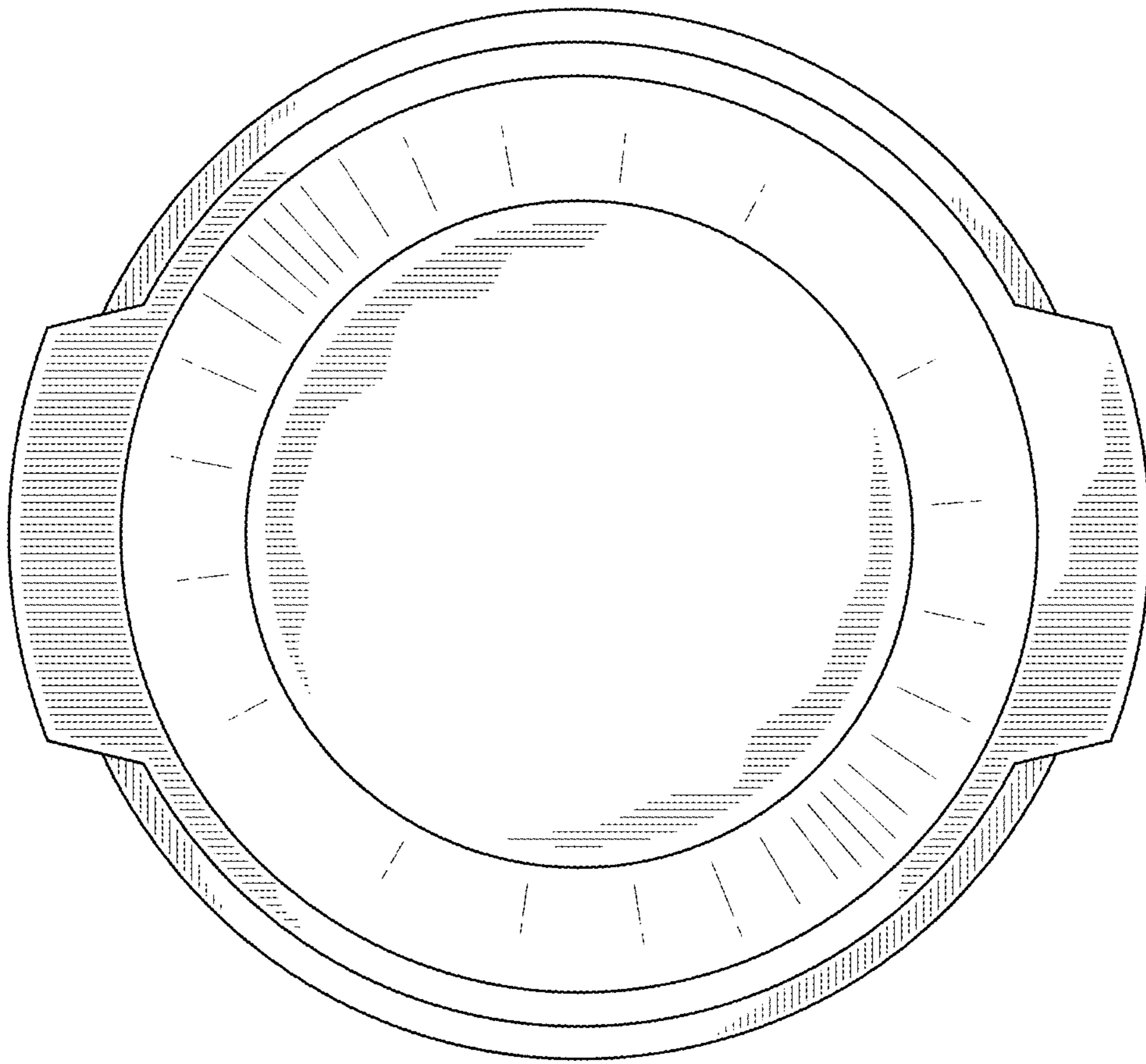


FIG. 4