



US00D911093S

(12) **United States Design Patent**
Man

(10) **Patent No.:** **US D911,093 S**

(45) **Date of Patent:** **** Feb. 23, 2021**

(54) **OVEN**

(71) Applicant: **Conair Corporation**, Stamford, CT
(US)

(72) Inventor: **Cheung Yee Man**, North Point (HK)

(**) Term: **15 Years**

(21) Appl. No.: **29/676,816**

(22) Filed: **Jan. 15, 2019**

(51) **LOC (13) Cl.** **07-02**

(52) **U.S. Cl.**
USPC **D7/350.4**

(58) **Field of Classification Search**
USPC D7/323, 330, 331, 334, 338, 339, 340,
D7/341, 347, 348, 349, 350.1, 350.3,
D7/350.4, 351, 362, 363, 364, 365, 390,
D7/402-407; D23/314, 322, 323, 329,
D23/330, 335, 341; D99/28, 43;
D15/122, 138, 141, 144, 199; D8/311,
D8/312, 315, 316, 333, 334; D3/203.1;
D6/672, 675, 702, 703, 559, 663, 705.5;
D21/523, 524, 525, 561
CPC . H05B 6/12; H05B 6/64; H05B 6/806; H05B
6/6426; H05B 6/6412; A21B 1/52; A21B
1/00; A47J 37/00; A47J 37/0763; A47J
37/36; F24C 15/08; F24C 15/2024; F27D
9/00; F27D 2009/0018; F27D 2009/004;
F27B 2014/0837; F23D 14/02
See application file for complete search history.

(56) **References Cited**

U.S. PATENT DOCUMENTS

D260,104 S * 8/1981 Klawitter D21/524
D297,296 S * 8/1988 Feil D7/350.4
D330,144 S * 10/1992 Takebata D7/351
D380,643 S * 7/1997 Piret D7/350.4
5,957,557 A * 9/1999 Langer A47B 77/08
312/223.6
D525,477 S * 7/2006 Kim D7/351

D526,527 S * 8/2006 Jung D7/348
D527,572 S * 9/2006 Lee D7/350.1
D530,561 S * 10/2006 Kim D7/351
D535,141 S * 1/2007 Lee D7/351
D539,593 S * 4/2007 Wang D7/350.4
D541,578 S * 5/2007 Jeon D7/350.1
D580,698 S * 11/2008 Kim D7/348
D646,112 S * 10/2011 Park D7/348
D646,113 S * 10/2011 Park D7/348
D655,970 S * 3/2012 De' Longhi D7/351
D664,388 S * 7/2012 Park D7/348

(Continued)

OTHER PUBLICATIONS

Cuisinart AFR-25 Air Fryer: Announced Dec. 10, 2018 [online].
Site Visited [Mar. 3, 2020]. Available from Internet URL: https://www.amazon.com/Cuisinart-AFR-25-Fryer-Size-Silver/dp/B07JBLY2D2/ref=cm_cr_arp_d_product_top?ie=UTF8.*

Primary Examiner — Catherine S Posthauer
(74) *Attorney, Agent, or Firm* — McCormick, Paulding &
Huber PLLC

(57) **CLAIM**

The ornamental design for an oven, substantially as shown
and described.

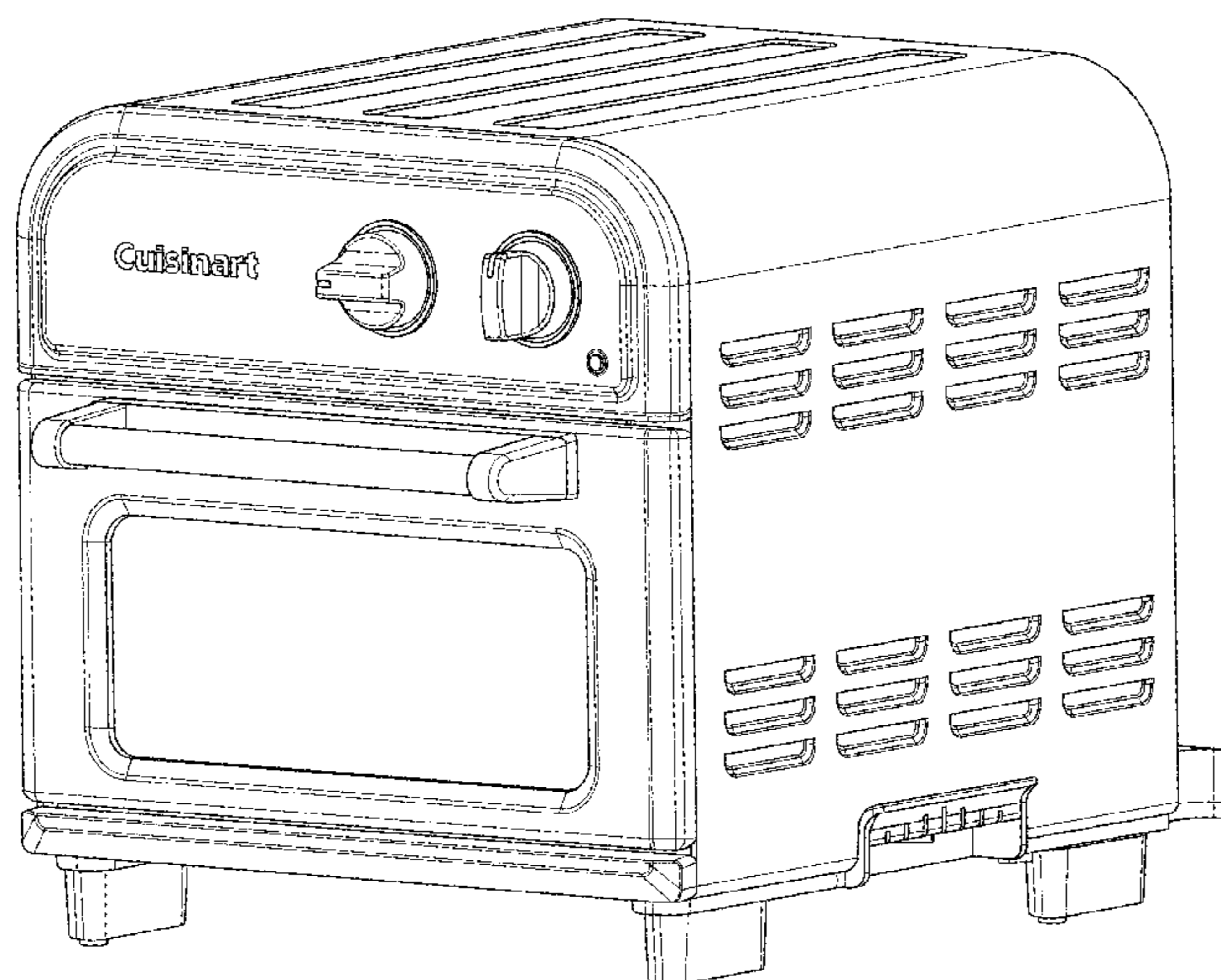
DESCRIPTION

FIG. 1 is a front, right side and top perspective view of an
oven, showing my new design;
FIG. 2 is a front view thereof;
FIG. 3 is a right side view thereof;
FIG. 4 is a left side view thereof;
FIG. 5 is a rear view thereof;
FIG. 6 is a top view thereof; and,
FIG. 7 is a bottom view thereof.

The broken lines depict portions of the oven that form no
part of the claimed design.

The Cuisinart logo shown in the drawings, forming part of
the claim, is a registered trademark of the Conair Corpora-
tion.

1 Claim, 7 Drawing Sheets



(56)

References Cited

U.S. PATENT DOCUMENTS

D670,529	S	*	11/2012	Hensel	D7/350.1
D673,000	S	*	12/2012	De' Longhi	D7/350.1
D678,711	S	*	3/2013	Reiner	D7/350.1
D762,081	S	*	7/2016	Minvielle	D7/350.1
D782,864	S	*	4/2017	Bhokal	D7/350.1
D815,485	S	*	4/2018	Suehiro	D7/350.1
D848,197	S	*	5/2019	Wong	D7/350.4

* cited by examiner

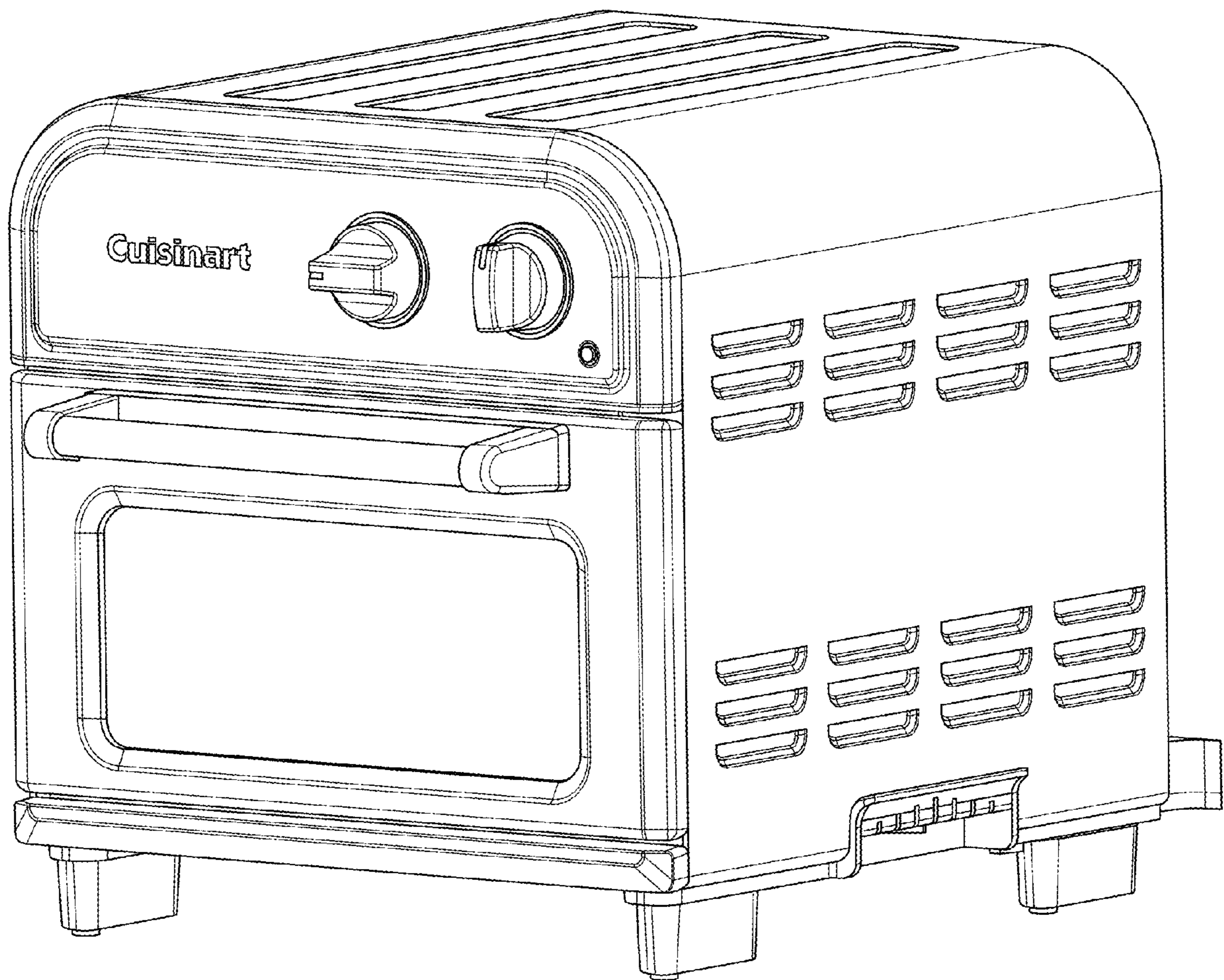


FIG. 1

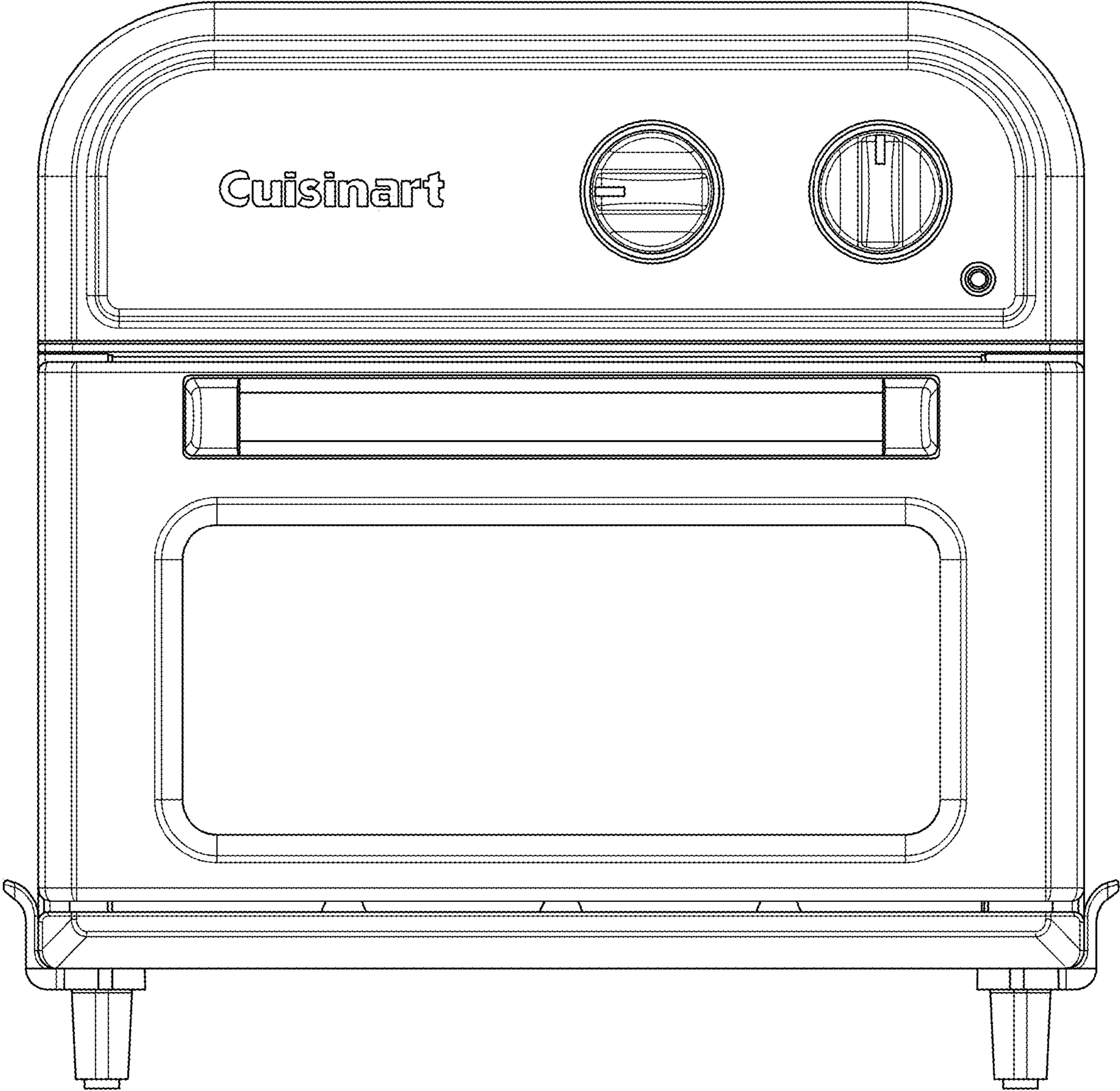


FIG. 2

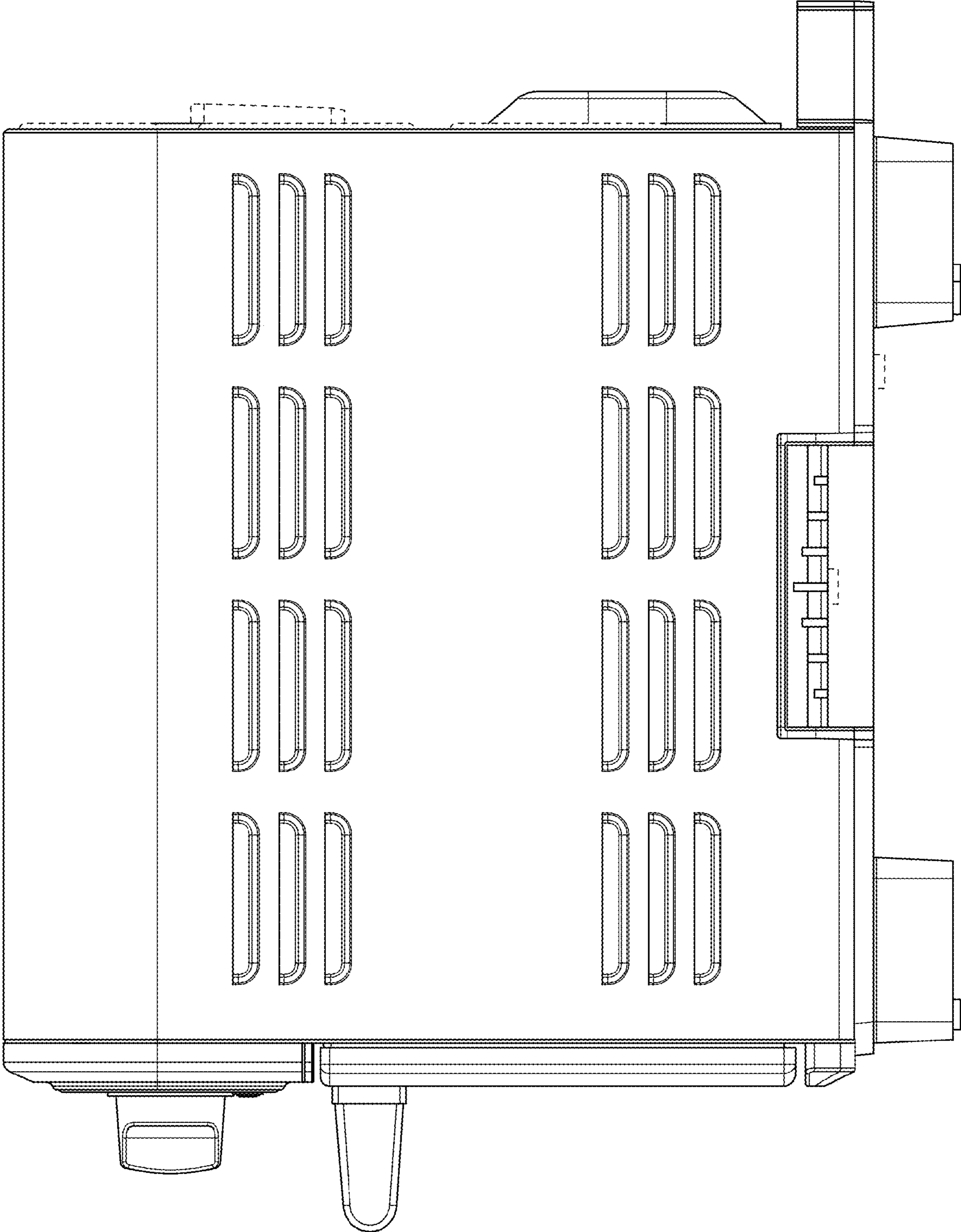


FIG. 3

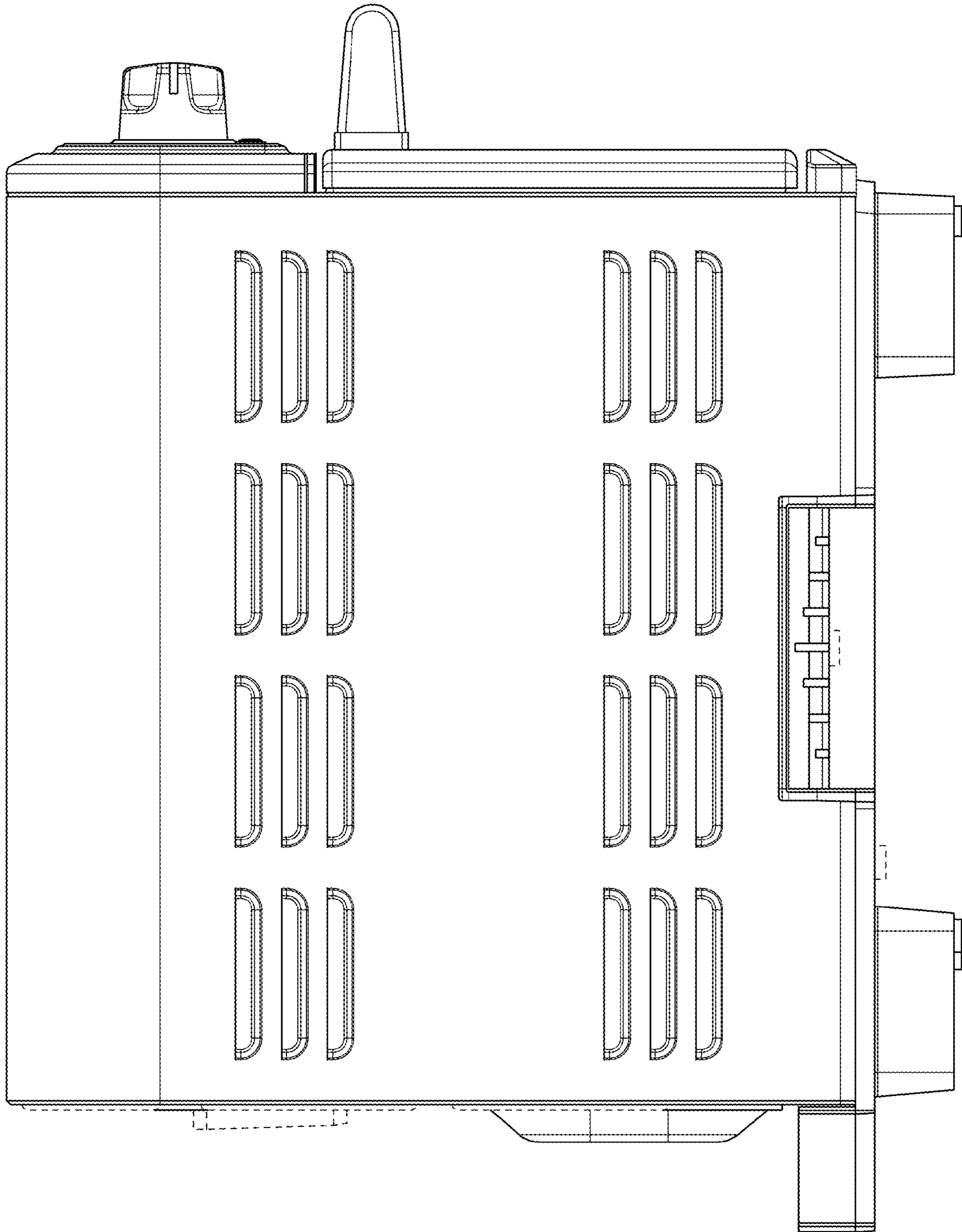


FIG. 4

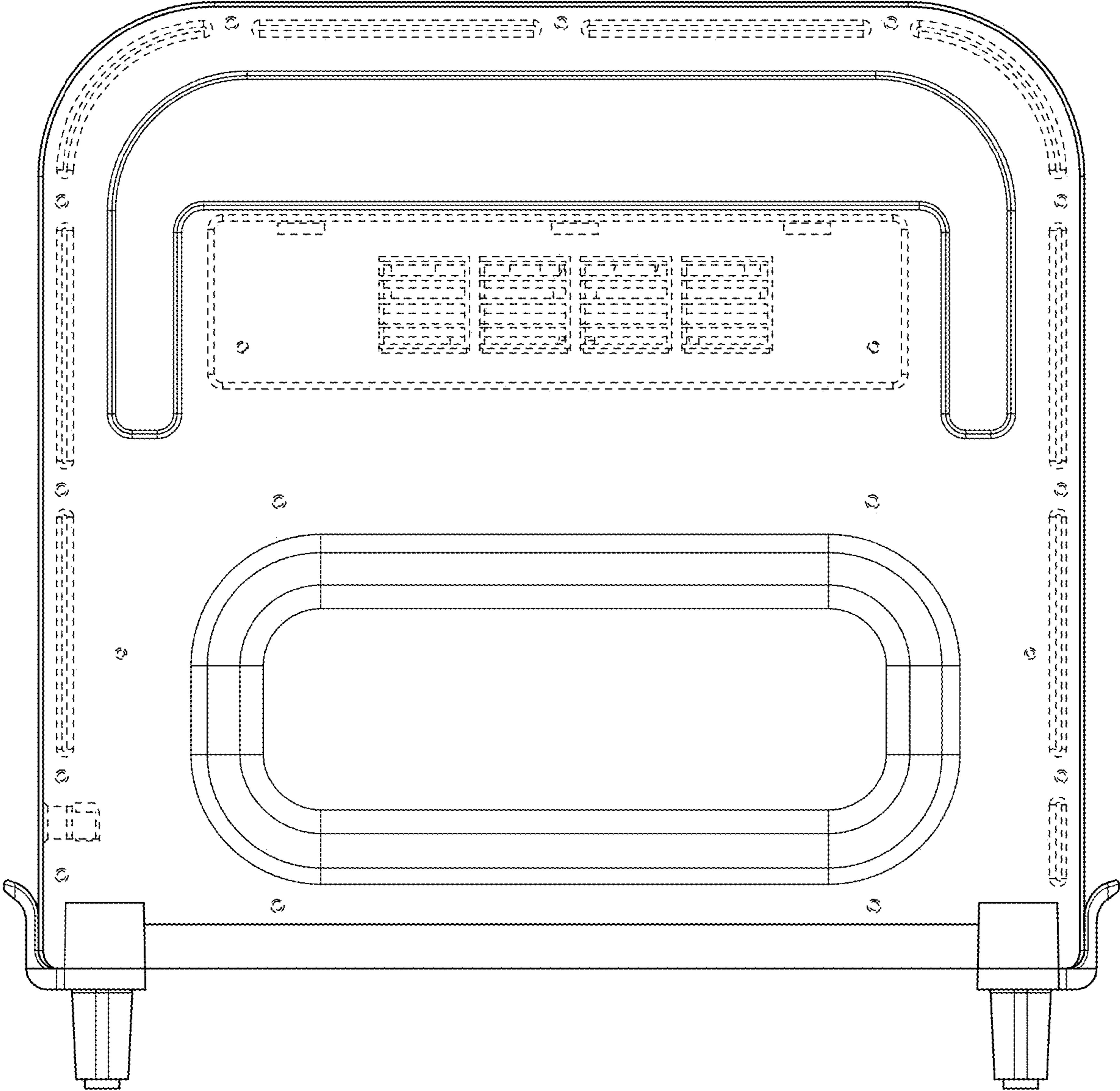


FIG. 5

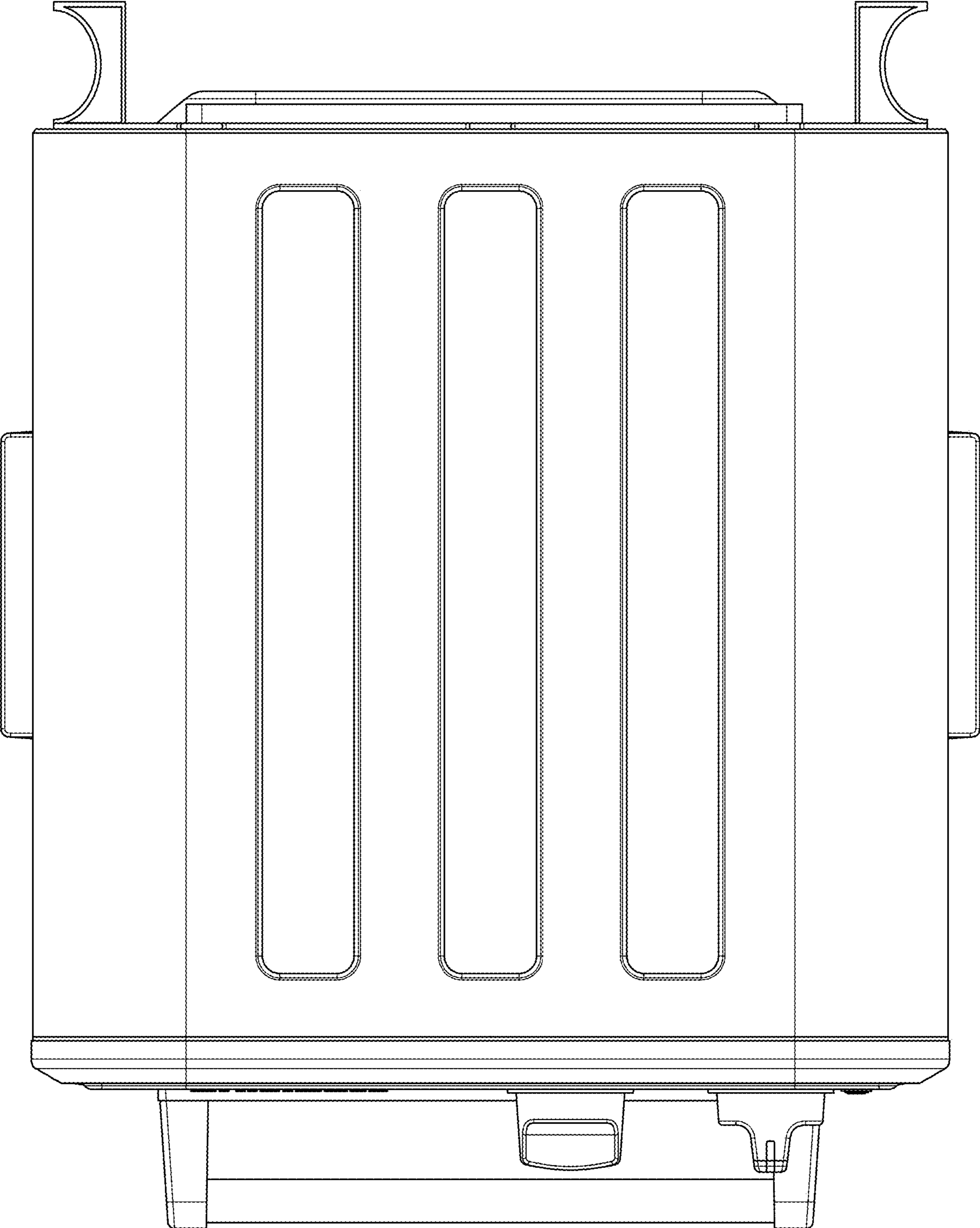


FIG. 6

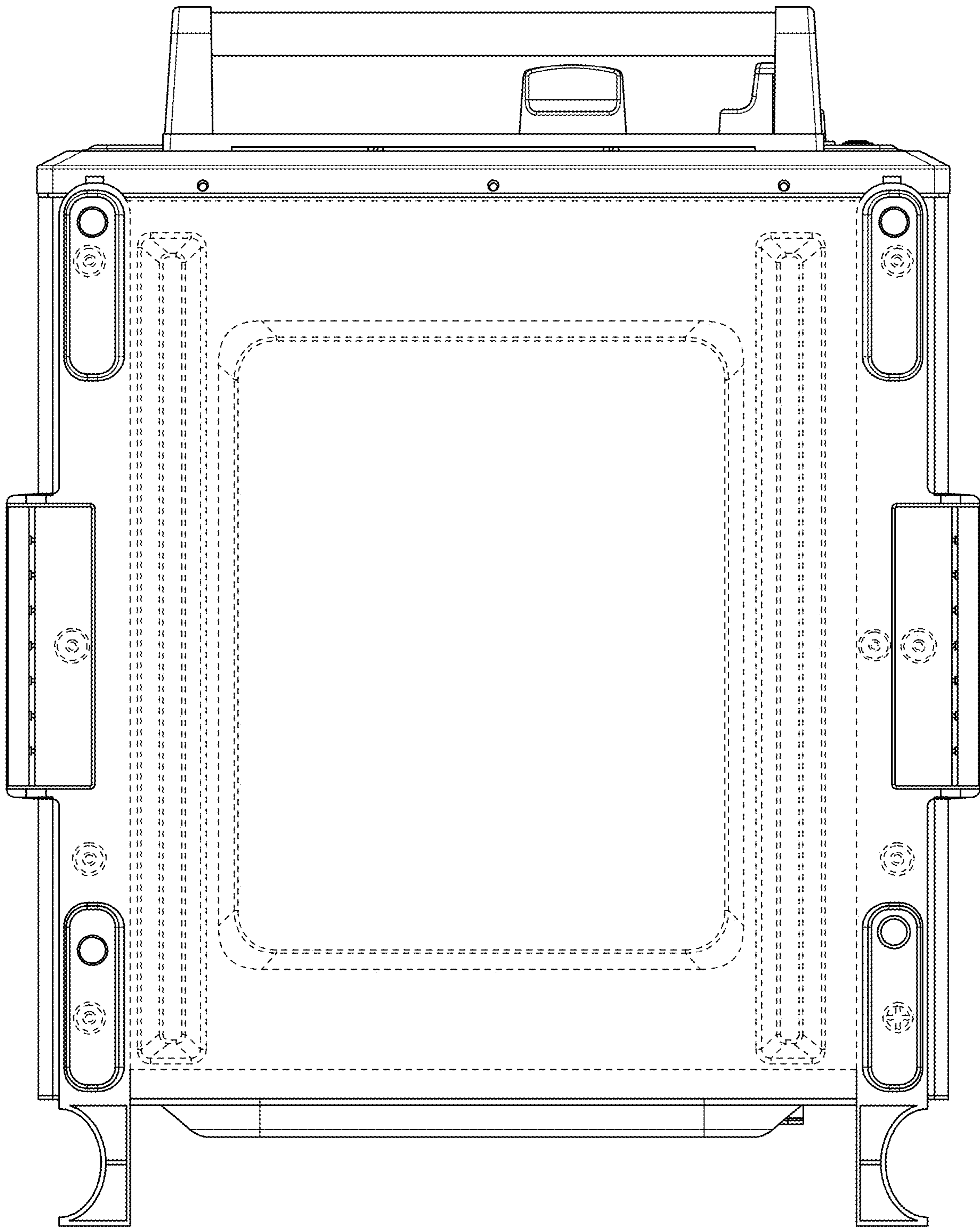


FIG. 7