



US00D911091S

(12) **United States Design Patent** (10) **Patent No.:** **US D911,091 S**
Chung (45) **Date of Patent:** **** Feb. 23, 2021**

(54) **BARBECUE GRILL**
(71) Applicant: **Kiosky Chung**, Taichung (TW)
(72) Inventor: **Kiosky Chung**, Taichung (TW)
(**) Term: **15 Years**
(21) Appl. No.: **29/688,704**
(22) Filed: **Apr. 24, 2019**
(51) **LOC (13) Cl.** **07-02**
(52) **U.S. Cl.**
USPC **D7/334**
(58) **Field of Classification Search**
USPC D7/332-338, 402-409, 355, 356, 360,
D7/362, 364, 365, 366, 363, 352, 350.1;
D23/343, 348, 332, 335, 314, 345, 415;
D3/294-296, 276, 905; 126/40
CPC A47J 37/07-0763; A47J 37/0781; A47J
37/0786; A47J 2037/0777; A47J 33/00;
A47J 2201/00; A47J 36/26; F24C 3/14;
F24C 1/16; F24C 5/20; F24B 1/181;
F24B 1/19; F24B 1/195; F24B 1/00;
F24B 1/202-207; F24B 3/00; F23B
20/00; F23D 14/28
See application file for complete search history.

(56) **References Cited**
U.S. PATENT DOCUMENTS
D480,905 S * 10/2003 Pai D7/334
D571,606 S * 6/2008 Pai D7/337
D636,628 S * 4/2011 Chung D7/334
7,958,882 B1 * 6/2011 Sgourides F24C 3/14
126/9 R
D680,365 S * 4/2013 Chung D7/334
D719,394 S * 12/2014 Inada D7/334
D726,491 S * 4/2015 Witzel D7/334
D769,668 S * 10/2016 Lally D7/334
D809,847 S * 2/2018 Liu D7/334

2006/0130825 A1* 6/2006 Yeh A47J 37/0704
126/25 R
2011/0094493 A1* 4/2011 Malumyan A47J 37/0763
126/25 R
2017/0035245 A1* 2/2017 Smith A47J 37/0786

FOREIGN PATENT DOCUMENTS
CA 2821786 A1 * 9/2014 B62B 1/008

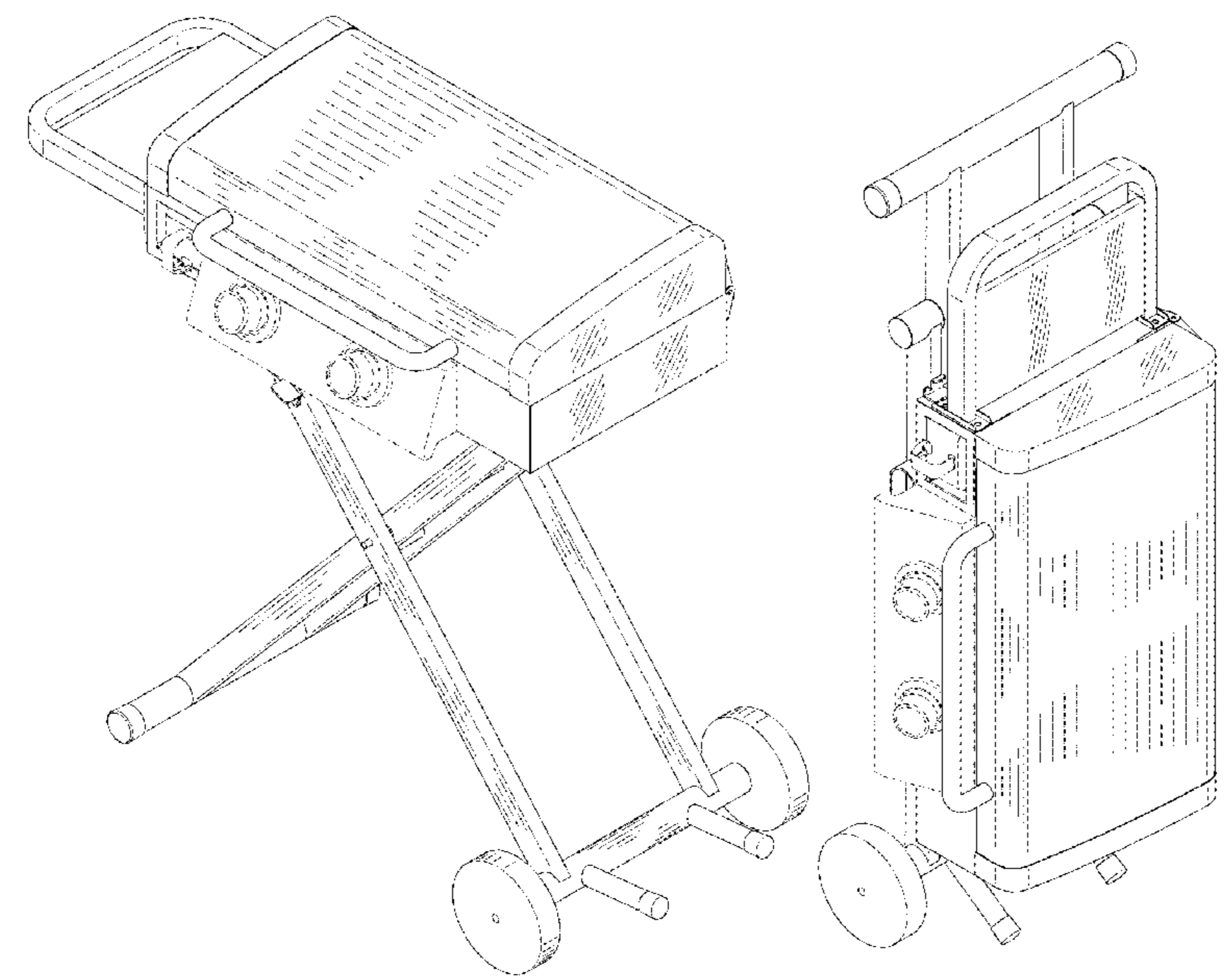
OTHER PUBLICATIONS
Cuisinar CGG-240, Nov. 6, 2014, Amazon, <https://www.amazon.com/Cuisinart-CGG-240-Foods-Roll-Away-Stainless/dp/B006O82K4Q> (Year: 2014).*

* cited by examiner
Primary Examiner — Brett Miller
(74) *Attorney, Agent, or Firm* — Bruce Stone LLP;
Joseph A. Bruce

(57) **CLAIM**
The ornamental design for a barbecue grill, as shown.

DESCRIPTION
FIG. 1 is a perspective view of a barbecue grill;
FIG. 2 is a front elevational view;
FIG. 3 is a rear side view;
FIG. 4 is a left side view;
FIG. 5 is a right side view;
FIG. 6 is a top plan view;
FIG. 7 is a bottom plan view;
FIG. 8 is a perspective view with the support structure in a collapsed position thereof in use; and,
FIG. 9 is another perspective view with the support structure in a collapsed position thereof in use.
The broken lines in the drawings represent unclaimed environmental subject matter.

1 Claim, 9 Drawing Sheets



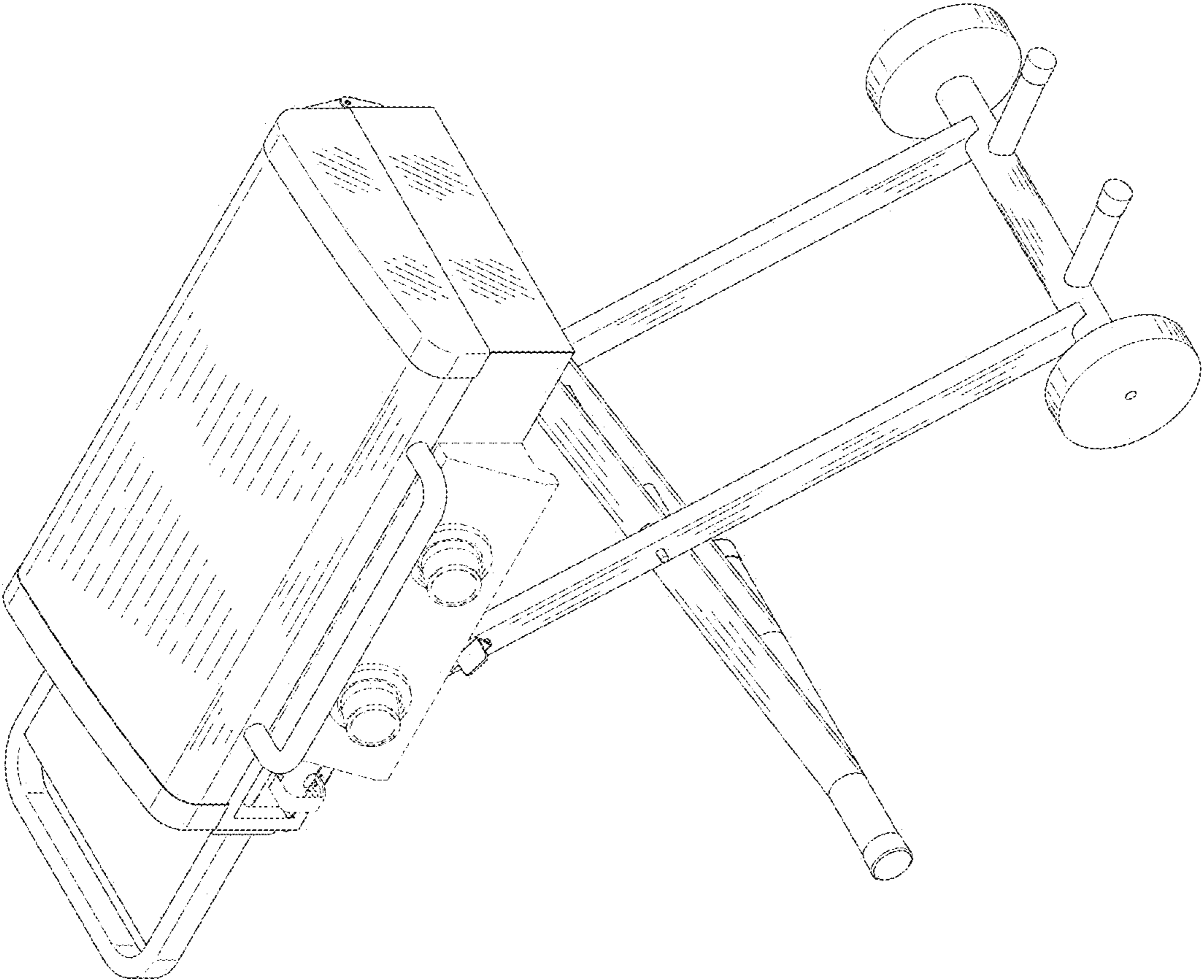


FIG. 1

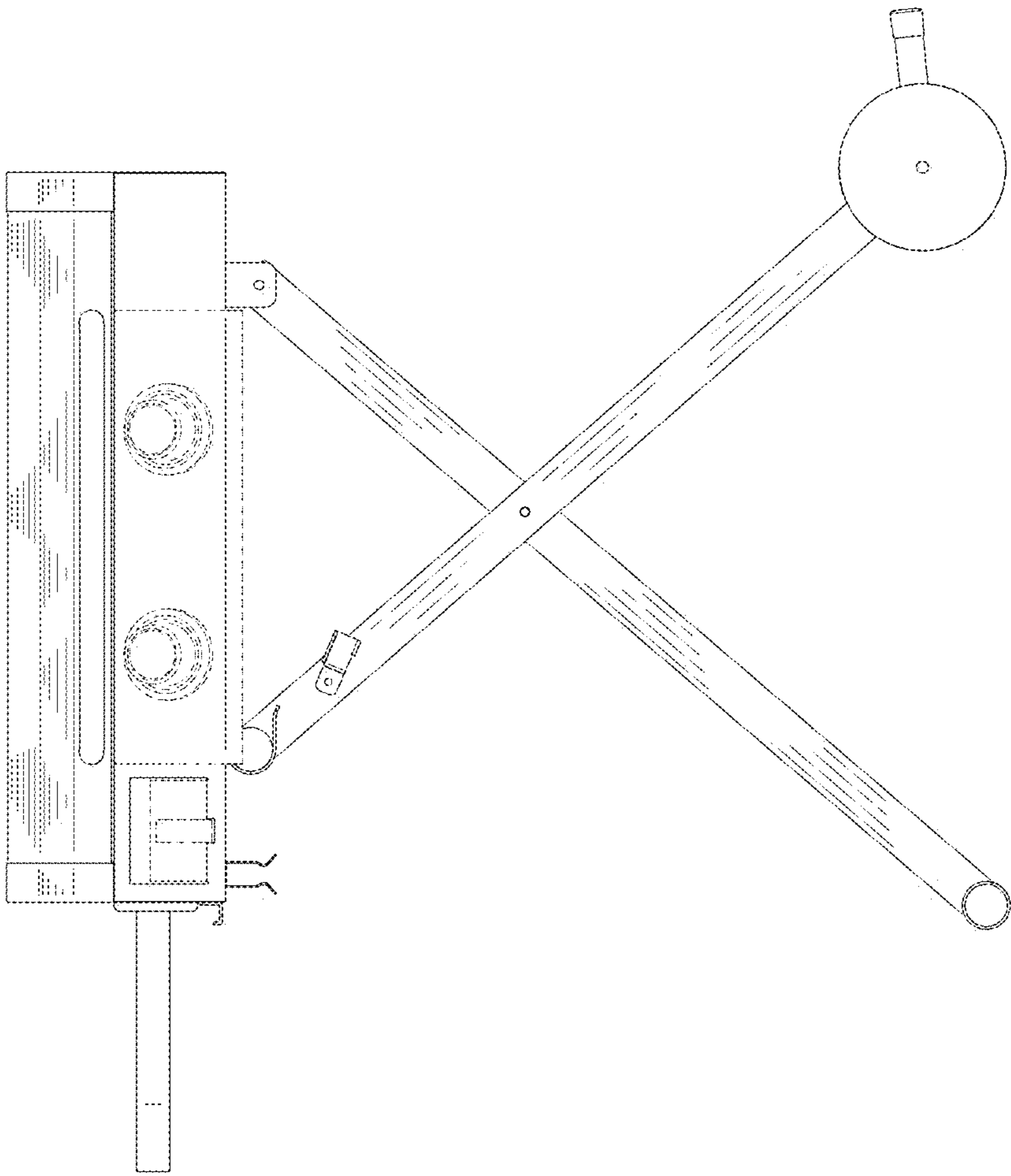


FIG. 2

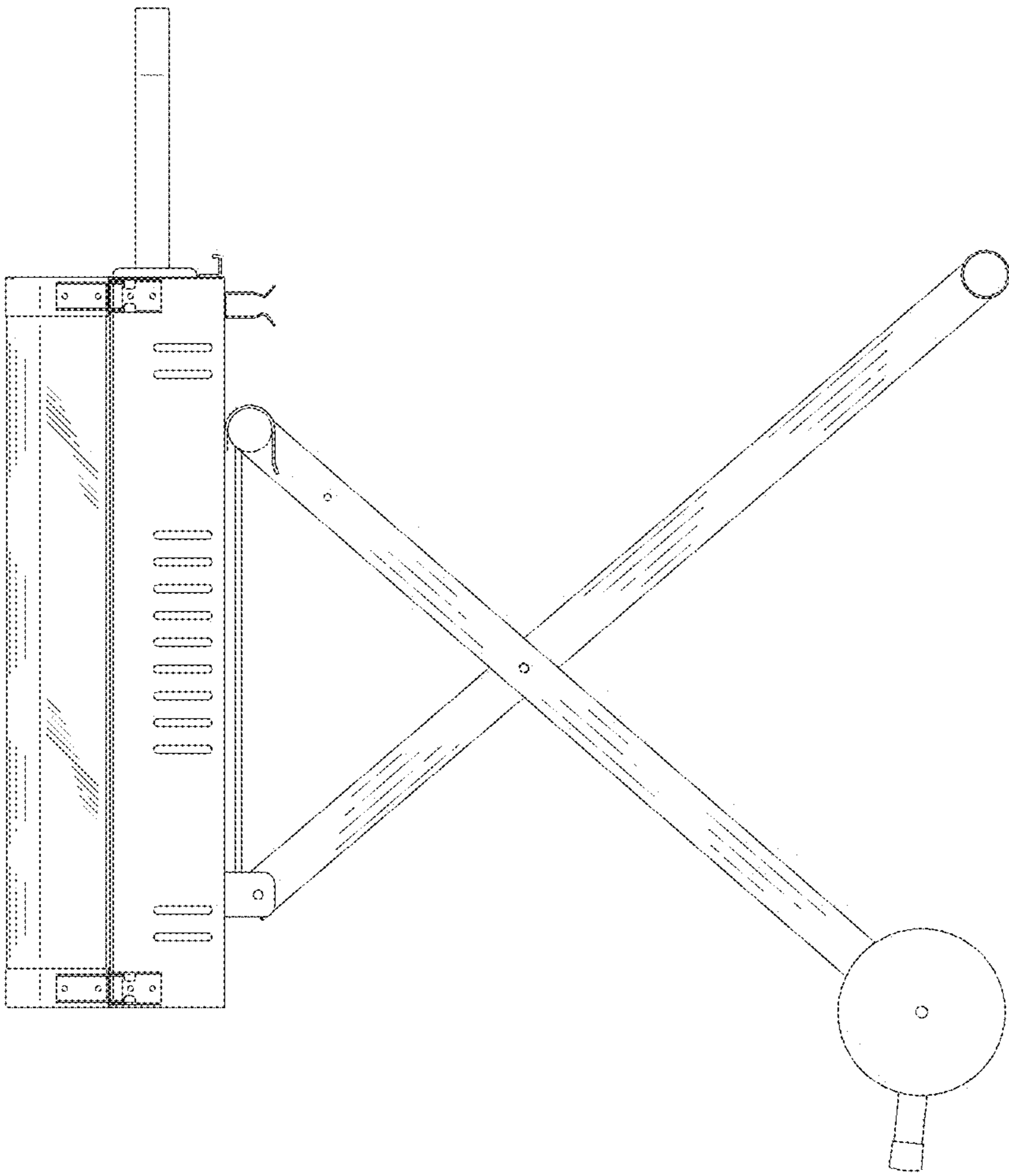


FIG. 3

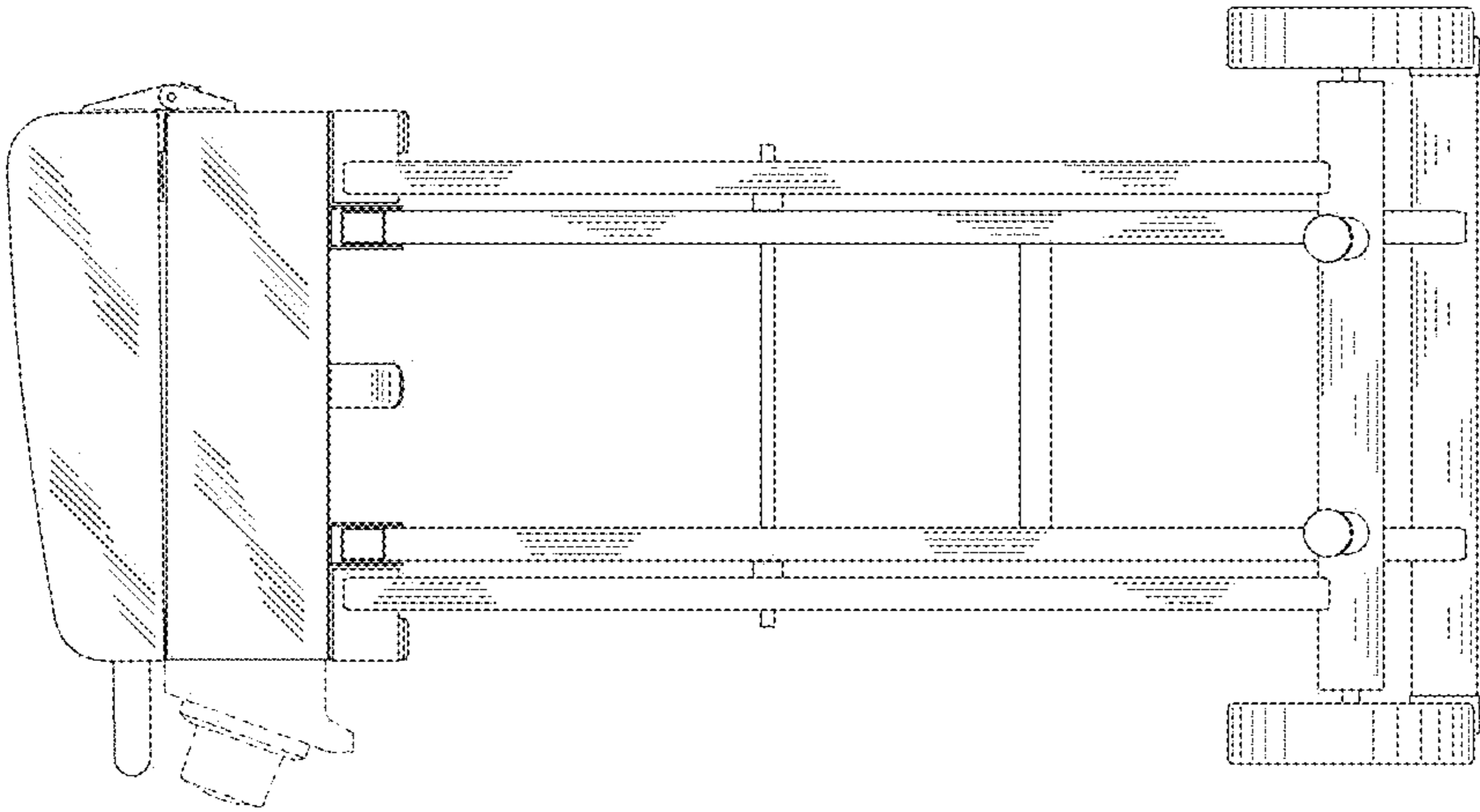


FIG. 4

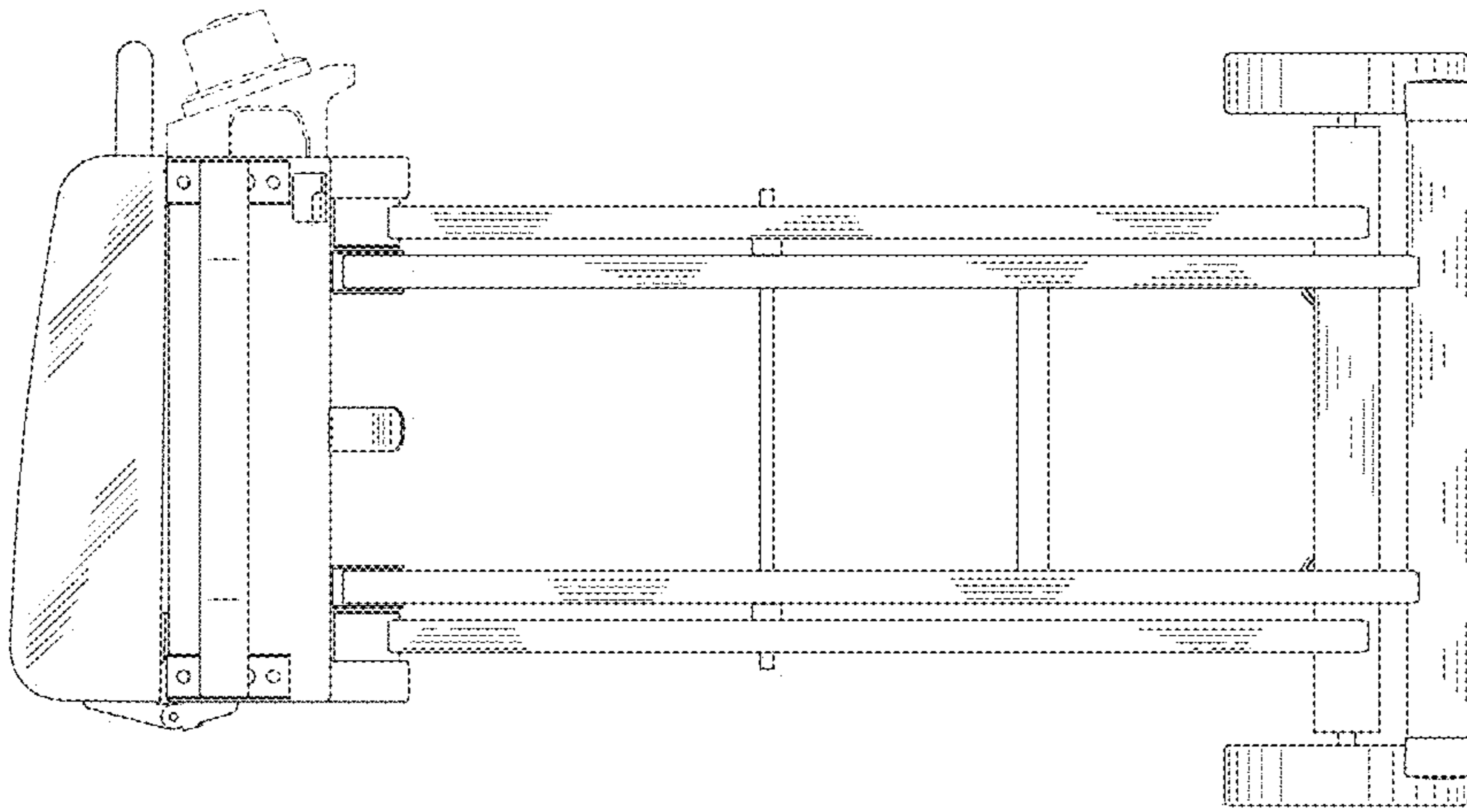


FIG. 5

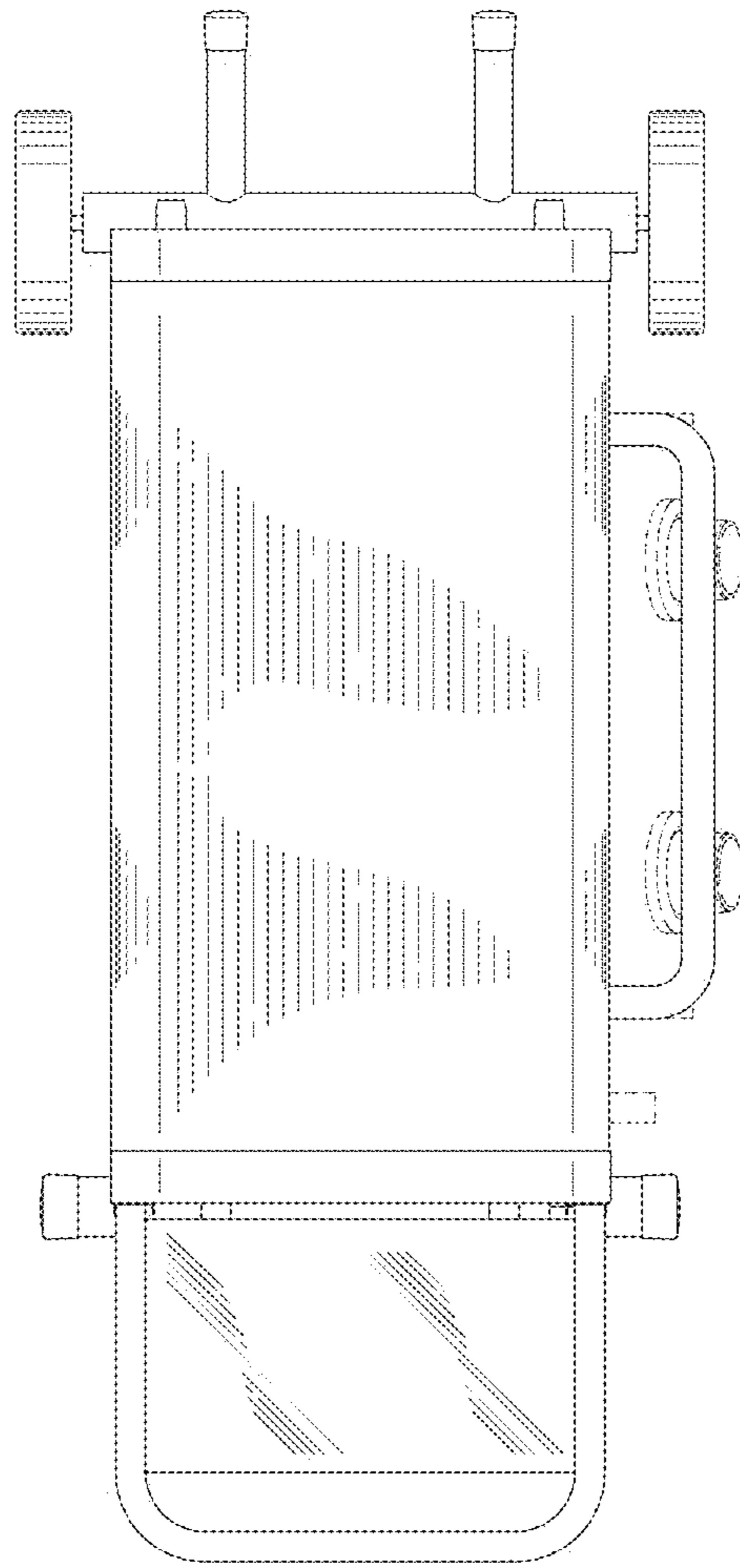


FIG. 6

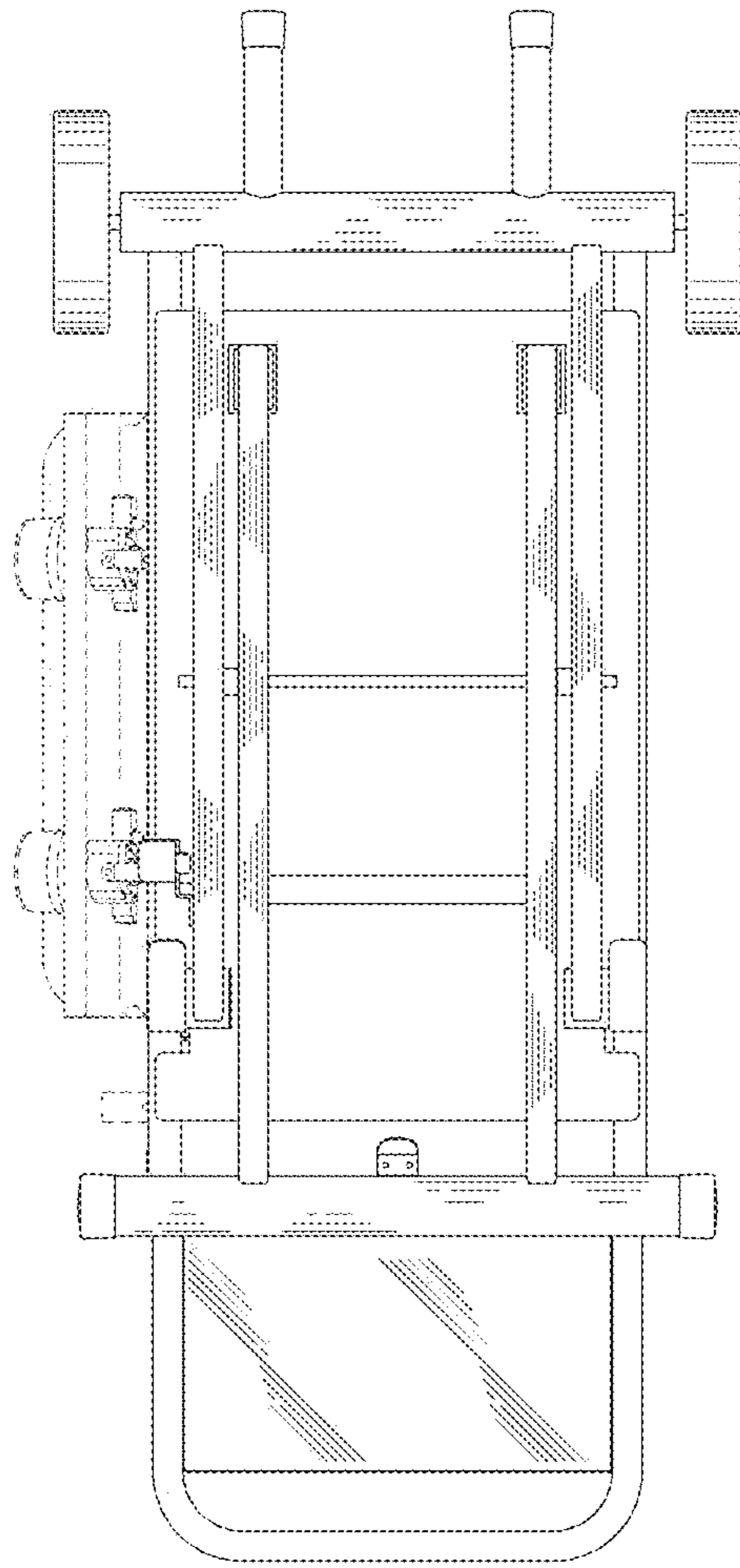


FIG. 7

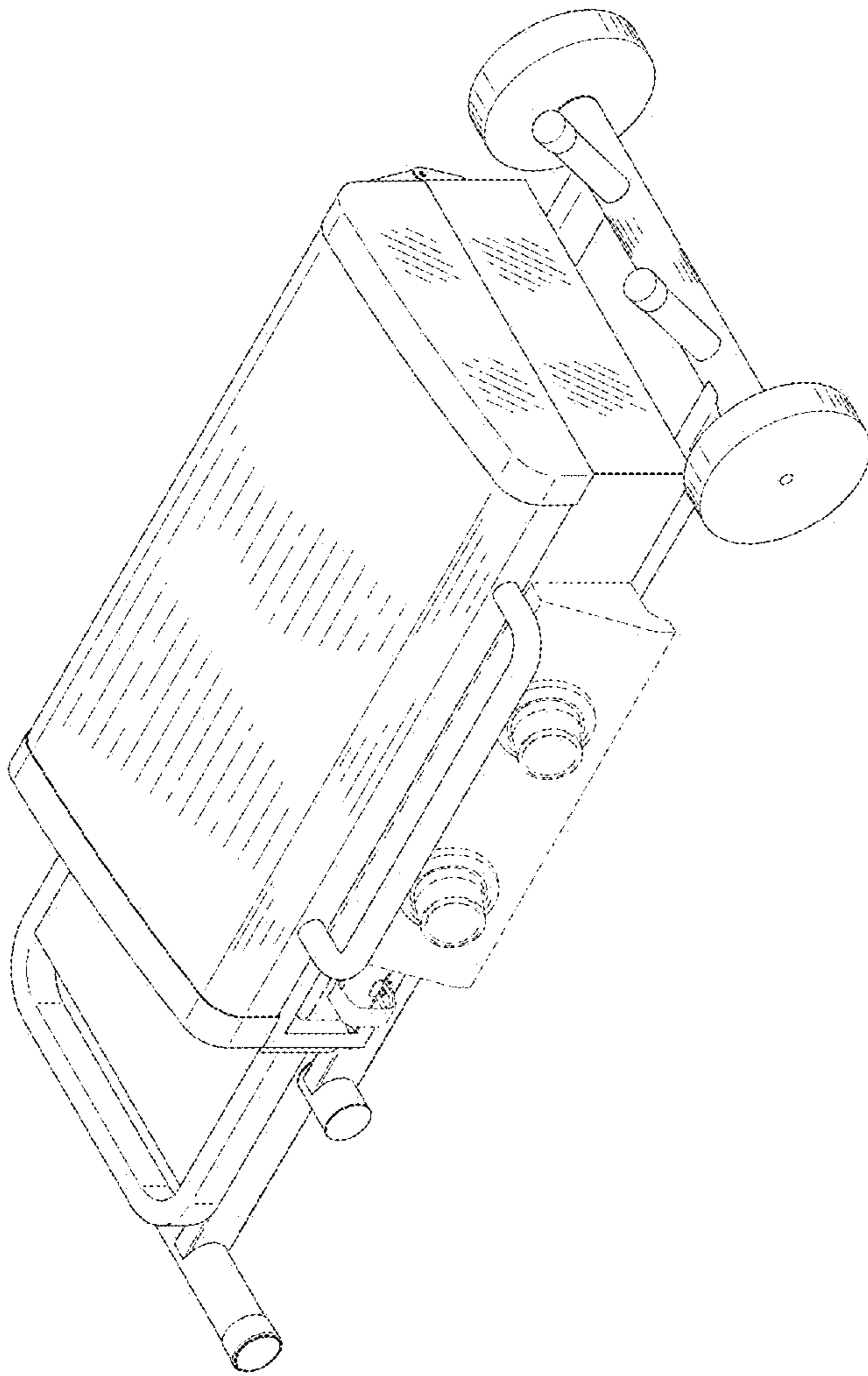


FIG. 8

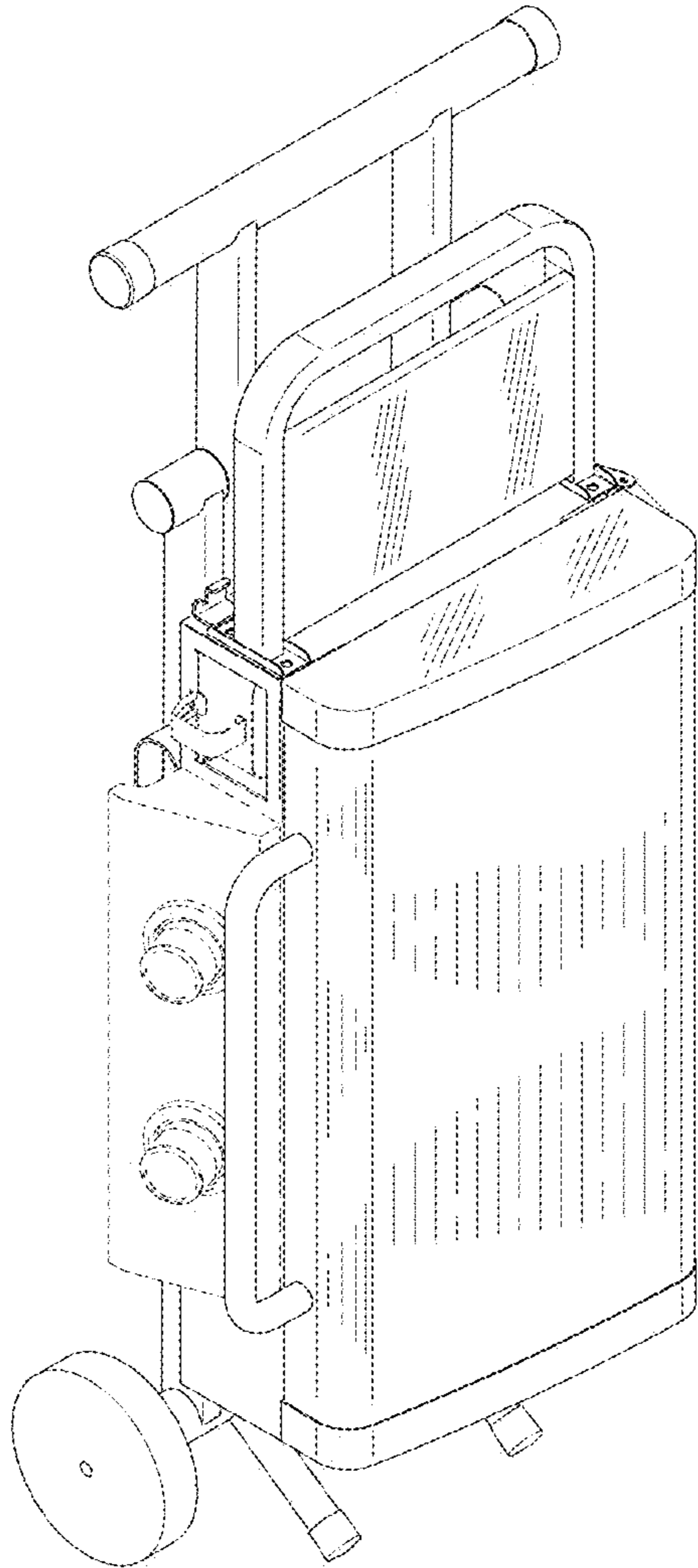


FIG. 9