



US00D911089S

(12) **United States Design Patent** (10) **Patent No.:** **US D911,089 S**  
**Irgang et al.** (45) **Date of Patent:** **\*\* Feb. 23, 2021**

(54) **DRAWER PART**

- (71) Applicant: **Julius Blum GmbH**, Hoechst (AT)
- (72) Inventors: **Markus Irgang**, Altach (AT); **Guenter Schwarzmann**, Dornbirn (AT); **Emanuel Netzer**, Hoechst (AT); **Elvis Music**, Lindau (DE)
- (73) Assignee: **Julius Blum GmbH**, Hoechst (AT)
- (\*\*) Term: **15 Years**
- (21) Appl. No.: **29/739,169**
- (22) Filed: **Jun. 23, 2020**

**Related U.S. Application Data**

- (62) Division of application No. 29/654,000, filed on Jun. 20, 2018.

**Foreign Application Priority Data**

- Dec. 22, 2017 (EM) ..... 4562304
- (51) **LOC (13) Cl.** ..... **06-06**
- (52) **U.S. Cl.**  
USPC ..... **D6/705**
- (58) **Field of Classification Search**  
USPC ..... D6/703, 703.2, 703.3, 705, 705.2, 705.4,  
D6/705.5, 705.7, 707.19, 707.25, 706  
CPC ..... A47B 88/00; A47B 88/40; A47B 88/402;  
A47B 88/407; A47B 88/413; A47B  
88/417; A47B 88/433; A47B 88/90; A47B  
88/906; A47B 88/944  
See application file for complete search history.

(56) **References Cited**

U.S. PATENT DOCUMENTS

D326,381 S *	5/1992	Heiligenthal	.....	D6/705
D563,125 S *	3/2008	Held	.....	D6/705.4
D572,511 S *	7/2008	Bohler	.....	D6/705.4
D625,941 S *	10/2010	Holzer	.....	D6/705.5
D638,237 S *	5/2011	Holzer	.....	D6/705.5
D684,399 S *	6/2013	Gasser	.....	D6/705.5
D684,400 S *	6/2013	Gasser	.....	D6/705.5
D684,401 S *	6/2013	Gasser	.....	D6/705
D684,796 S *	6/2013	Gasser	.....	D6/705.5
D686,017 S *	7/2013	Gasser	.....	D6/705
D686,428 S *	7/2013	Gasser	.....	D6/705.2

FOREIGN PATENT DOCUMENTS

- WO WO-2016131603 A1 \* 8/2016 ..... A47B 88/941
- \* cited by examiner

*Primary Examiner* — R. Johnson

(74) *Attorney, Agent, or Firm* — Wenderoth, Lind & Ponack, L.L.P.

(57) **CLAIM**

The ornamental design for a drawer part, as shown and described.

**DESCRIPTION**

FIG. 1 is a front perspective view of a drawer part;  
 FIG. 2 is a rear view thereof;  
 FIG. 3 is a bottom view thereof;  
 FIG. 4 is a front view thereof;  
 FIG. 5 is a top view thereof;  
 FIG. 6 is a left side view thereof;  
 FIG. 7 is a right side view thereof; and,  
 FIG. 8 is a rear perspective view thereof.  
 The broken lines shown herein are for illustrative purposes only and form no part of the claimed design.

**1 Claim, 8 Drawing Sheets**

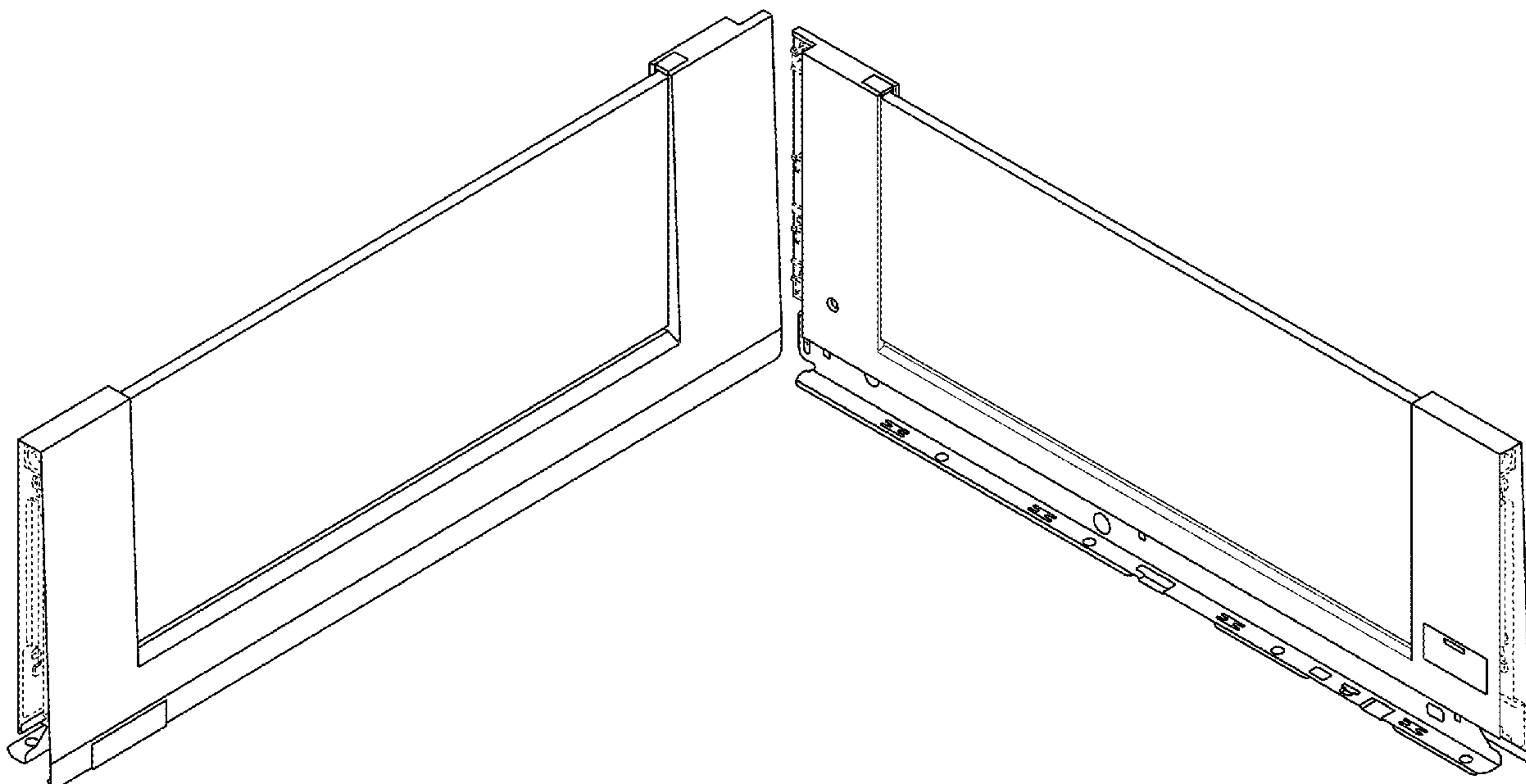


FIG. 1

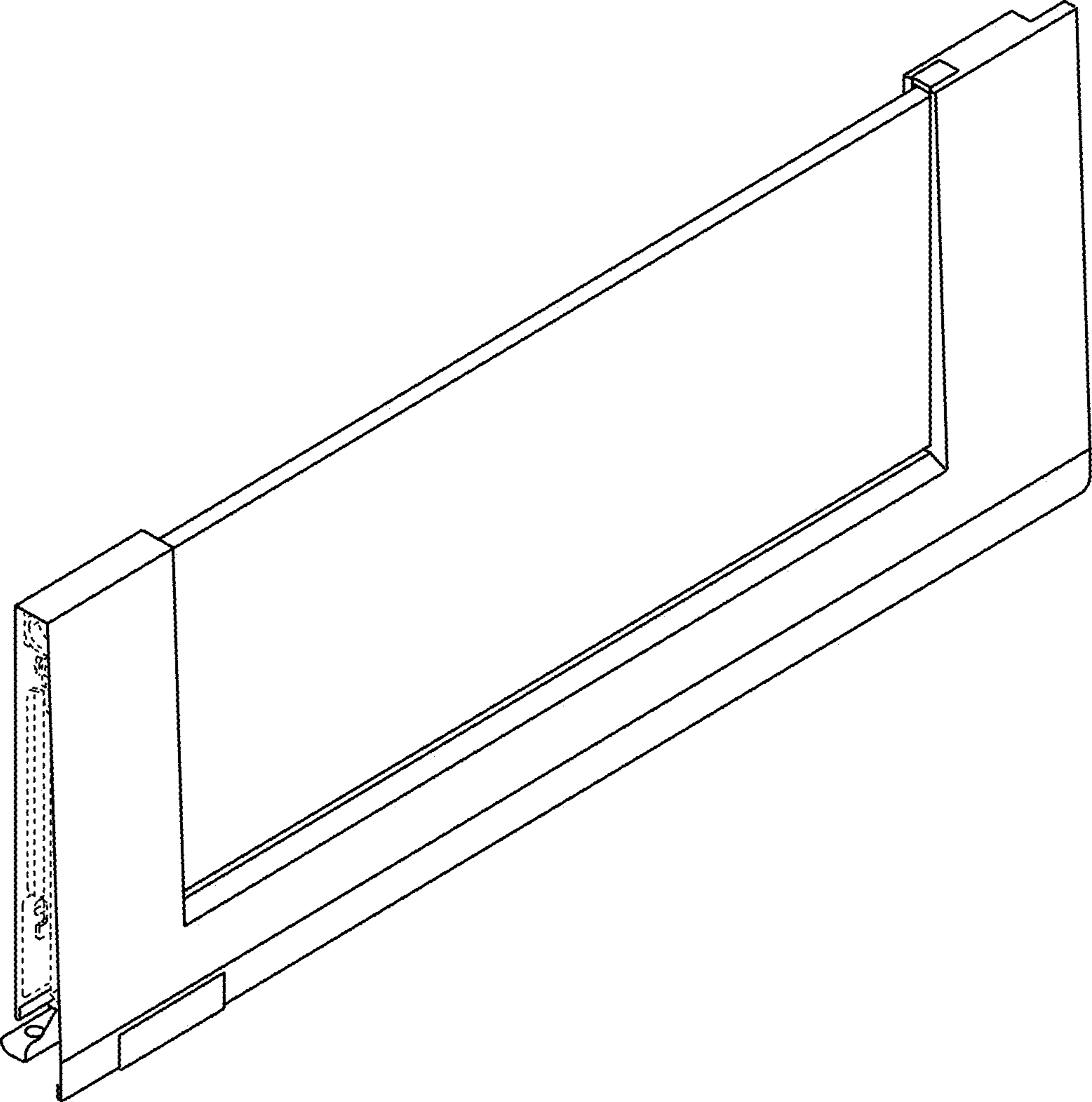


FIG. 2

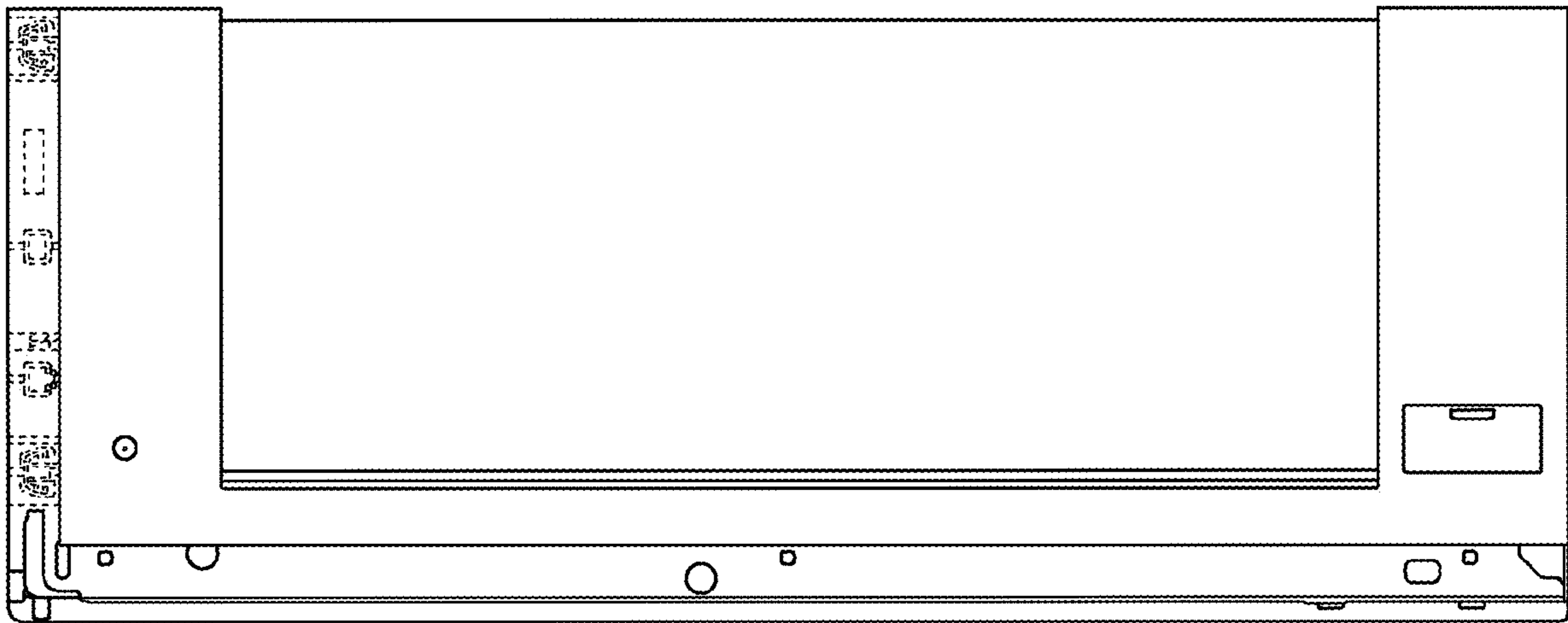
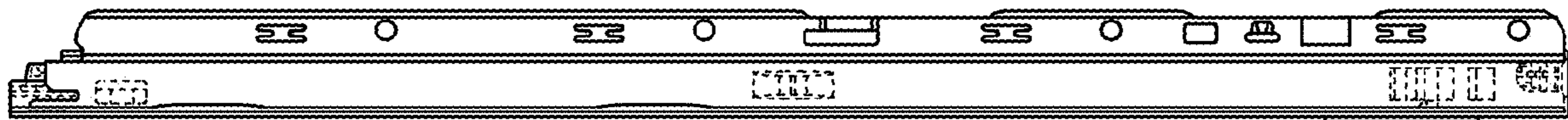


FIG. 3



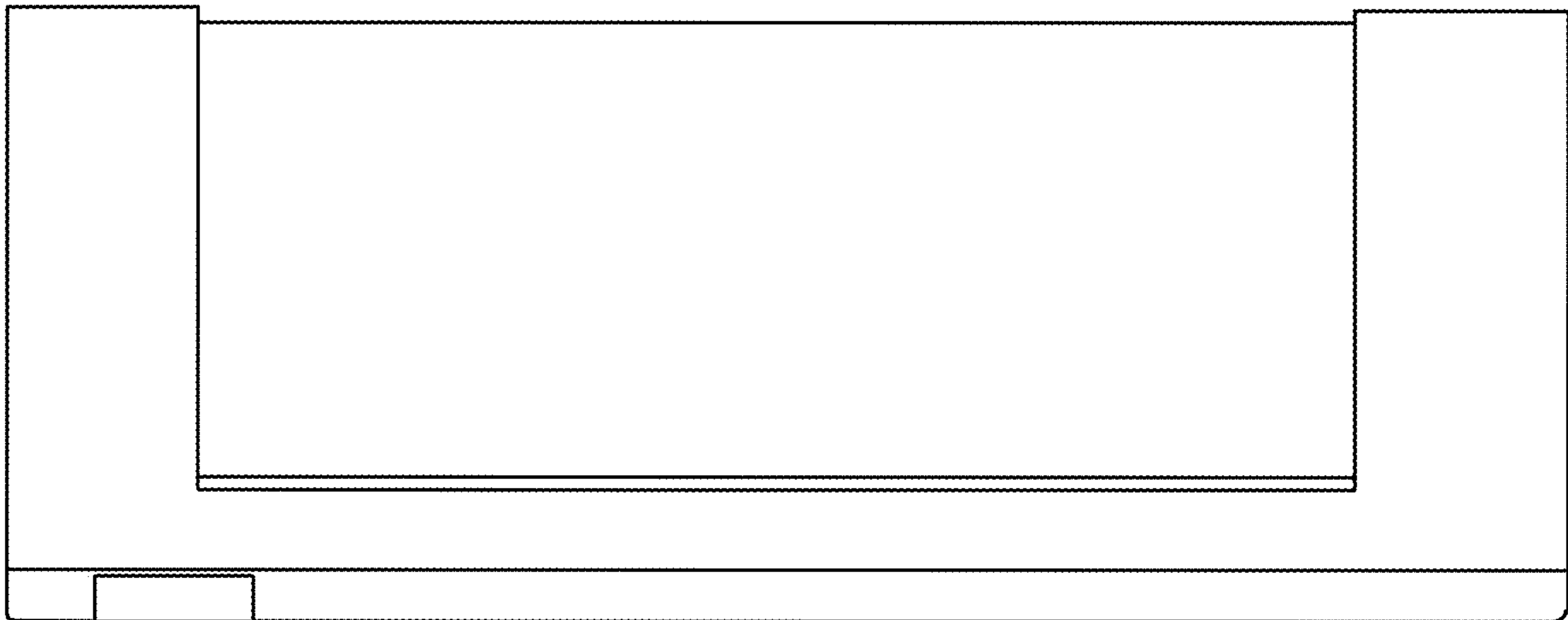
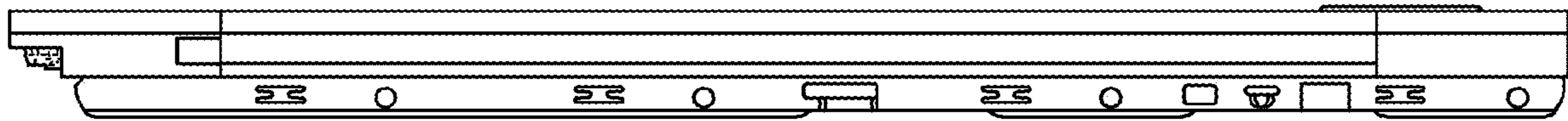


FIG. 4

FIG. 5



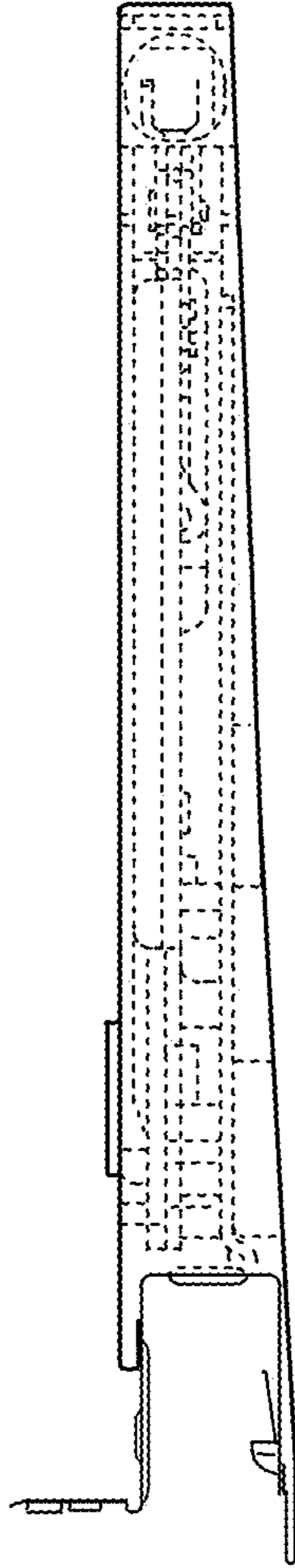


FIG. 6

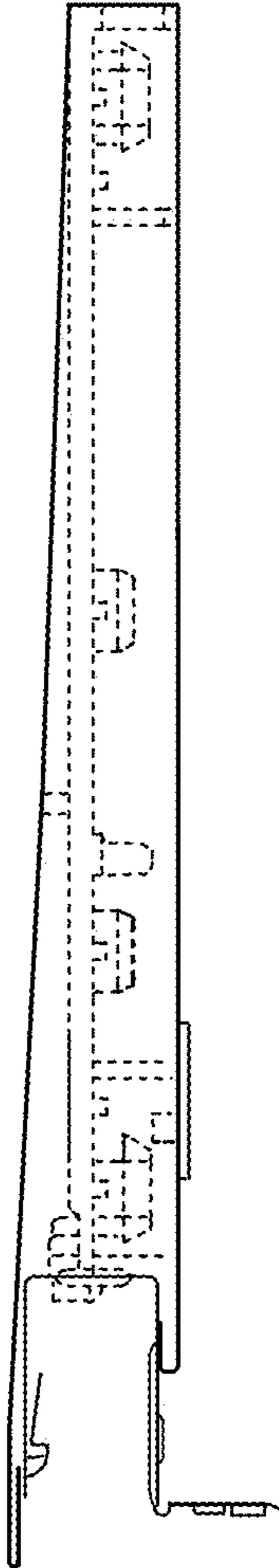


FIG. 7



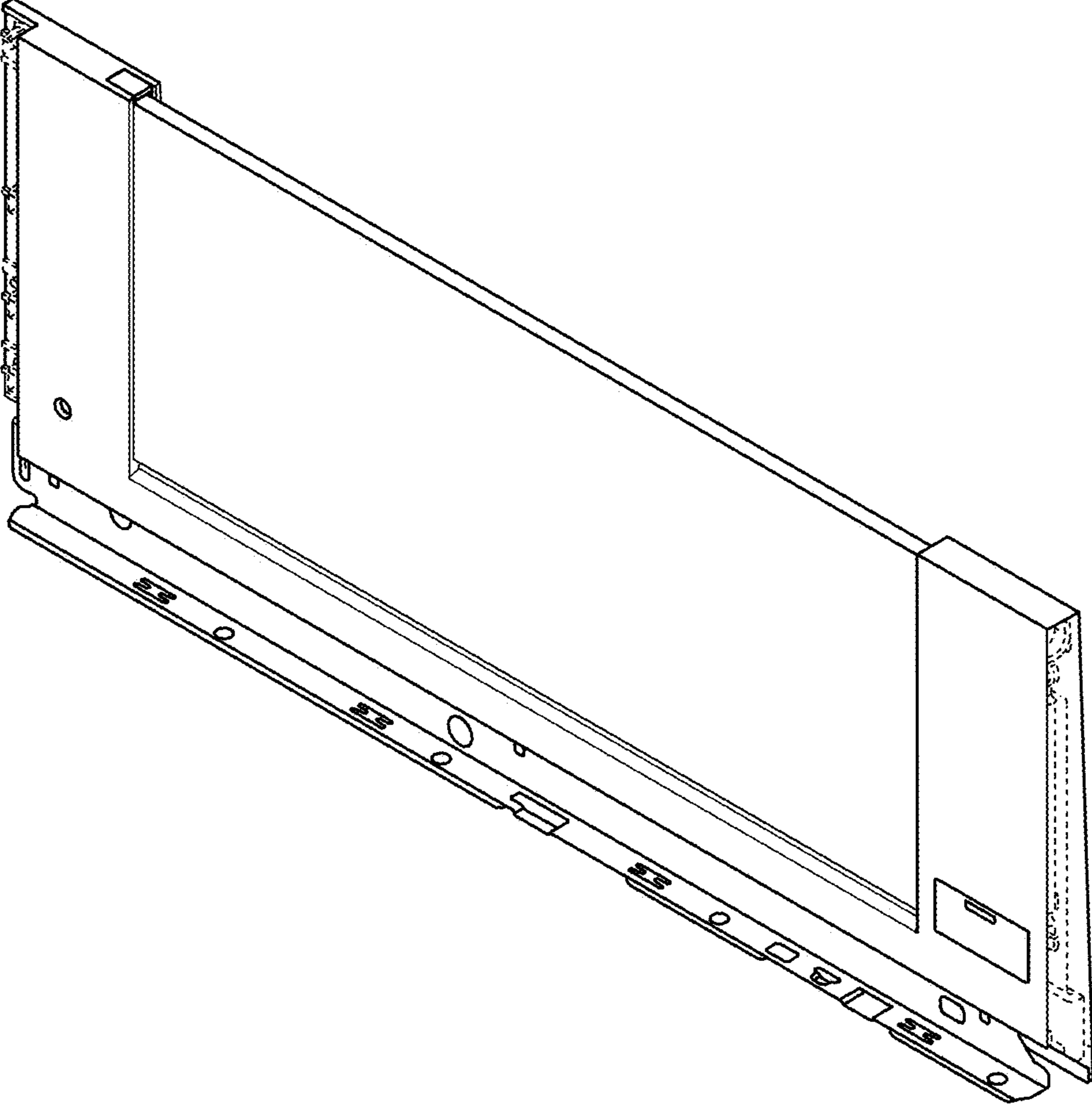


FIG. 8