



US00D911085S

(12) **United States Design Patent**
Song

(10) **Patent No.:** **US D911,085 S**
(45) **Date of Patent:** **** Feb. 23, 2021**

- (54) **COAT RACK**
- (71) Applicant: **Chuan Song**, Zhengzhou (CN)
- (72) Inventor: **Chuan Song**, Zhengzhou (CN)
- (73) Assignee: **ZHENGZHOU ZIEL NETWORK TECHNOLOGY CO., LTD.**, Henan Province (CN)
- (**) Term: **15 Years**
- (21) Appl. No.: **29/713,338**
- (22) Filed: **Nov. 15, 2019**
- (51) **LOC (13) Cl.** **20-02**
- (52) **U.S. Cl.**
USPC **D6/681.2**
- (58) **Field of Classification Search**
USPC D6/672, 675, 675.1-675.5, 681, 681.1, D6/681.2, 681.3, 682.4, 682.6
CPC A47B 43/00; A47B 45/00; A47B 46/00; A47B 47/00; A47B 47/02; A47B 47/021; A47B 61/00; A47B 61/02; A47F 5/00; A47F 5/0031; A47F 5/01; A47F 5/0807; A47F 5/13; A47F 7/19; A47F 7/24; A47G 25/06
See application file for complete search history.

- 3,119,497 A * 1/1964 Levy A47G 25/0664 211/204
- 3,303,938 A * 2/1967 Solomon A47F 7/24 211/182
- 3,499,541 A * 3/1970 MacKie A47B 45/00 211/134
- 3,561,609 A * 2/1971 Doherty F16B 7/00 211/206
- 3,620,377 A * 11/1971 Holtz A47G 25/0664 211/206
- 3,705,731 A * 12/1972 Berchak B62B 3/02 280/651
- 3,918,591 A * 11/1975 Cooper A47F 5/108 211/204
- 4,054,209 A * 10/1977 Solomon A47F 7/24 211/208
- 4,164,288 A * 8/1979 Okazaki A47F 5/13 211/207
- 5,090,725 A * 2/1992 Feldner B62B 3/02 211/189
- 5,617,962 A * 4/1997 Chen A47G 25/0664 211/204
- 5,685,440 A * 11/1997 Mason A47F 5/13 211/189

(Continued)

Primary Examiner — Steven J Czyz

(57) **CLAIM**

The ornamental design for a coat rack, as shown and described.

DESCRIPTION

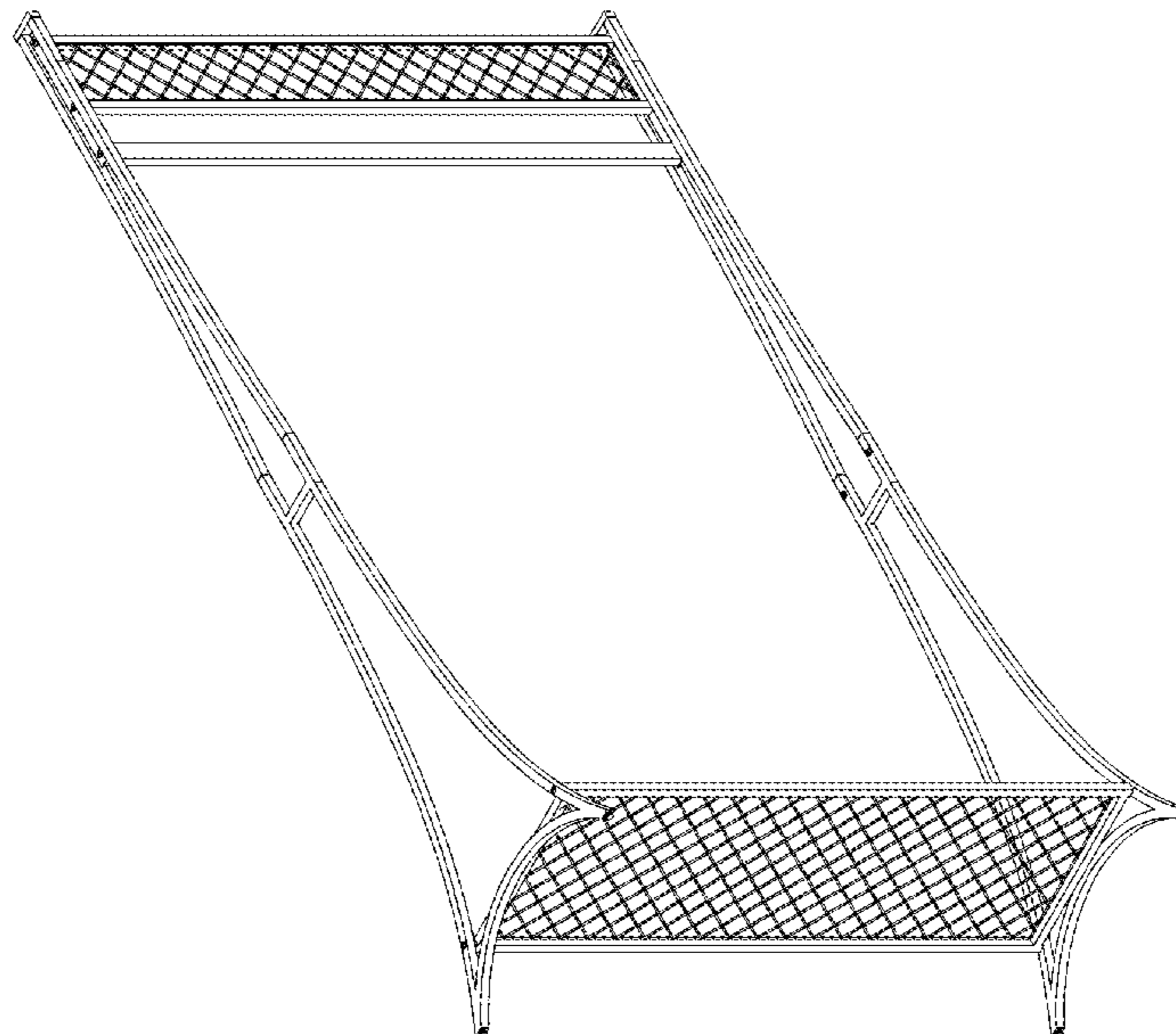
FIG. 1 is a perspective view of a coat rack showing my new design;
FIG. 2 is a bottom view thereof;
FIG. 3 is a left side view thereof;
FIG. 4 is a front view thereof;
FIG. 5 is a top view thereof;
FIG. 6 is a rear view thereof; and,
FIG. 7 is a right side view thereof.

1 Claim, 7 Drawing Sheets

(56) **References Cited**

U.S. PATENT DOCUMENTS

- 1,661,667 A * 3/1928 Mallach A47F 7/24 135/151
- 2,110,158 A * 3/1938 Keeler A47G 25/0678 211/182
- D131,907 S * 4/1942 Sarvis et al. D6/681
- D142,059 S * 8/1945 Botsford et al. D6/681.1
- D149,816 S * 6/1948 Ivelow et al. D6/681.1
- 2,798,618 A * 7/1957 Singer A47G 25/0664 211/204



(56)

References Cited

U.S. PATENT DOCUMENTS

5,718,344 A * 2/1998 Joldeson A47F 5/13
 211/182
 D451,304 S * 12/2001 Felsenthal D6/678.4
 D456,167 S * 4/2002 Harwanko D6/548
 6,401,948 B1 * 6/2002 Huang A47F 5/137
 211/206
 6,488,160 B2 * 12/2002 Wang A47F 7/19
 211/195
 D470,685 S * 2/2003 Chang D6/681.1
 D474,350 S * 5/2003 Sardis D6/681.1
 D476,167 S * 6/2003 Klein D6/681.1
 6,644,484 B1 * 11/2003 Sardis A47B 43/00
 211/189
 D491,742 S * 6/2004 Harwanko D6/681.1
 7,077,277 B2 * 7/2006 Wang A47B 91/02
 182/186.7
 D546,013 S * 7/2007 Pong D32/58
 D613,965 S * 4/2010 Tertel D6/675.5
 7,946,434 B1 * 5/2011 Greenspon A47G 25/0685
 211/85.3
 8,672,147 B2 * 3/2014 Lam A47F 7/18
 211/149
 8,936,166 B2 * 1/2015 Hornsby A47F 5/10
 211/85.3
 D736,548 S * 8/2015 Hornsby D6/681.1

D749,879 S * 2/2016 Wall D6/680.3
 D753,940 S * 4/2016 Ruiz D6/681
 D777,483 S * 1/2017 Bittle D6/681
 D785,381 S * 5/2017 Johnson D6/681
 D785,979 S * 5/2017 Snider D6/675.1
 9,648,949 B1 * 5/2017 Penaflo A47B 81/00
 D809,835 S * 2/2018 Greenspon D6/681
 D819,374 S * 6/2018 Kuehn D6/681.2
 D827,342 S * 9/2018 Stukenberg D6/681
 D829,473 S * 10/2018 Mical D6/681
 10,264,878 B1 * 4/2019 Liu A47B 88/40
 10,337,136 B1 * 7/2019 Fallah A47B 61/02
 D860,689 S * 9/2019 Davis D6/672
 D874,191 S * 2/2020 Qi D6/664
 D887,188 S * 6/2020 Felsenthal D6/681.2
 D889,171 S * 7/2020 Cao D6/681.2
 2007/0163974 A1 * 7/2007 Lai A47G 25/0664
 211/85.3
 2007/0272642 A1 * 11/2007 Baptiste A47B 43/00
 211/201
 2008/0029473 A1 * 2/2008 Hu A47G 25/0664
 211/206
 2015/0008201 A1 * 1/2015 Qiang D06F 57/06
 211/85.3
 2015/0176899 A1 * 6/2015 Jacques A47B 61/04
 211/85.7
 2018/0160801 A1 * 6/2018 Felsenthal A47B 47/00

* cited by examiner



FIG. 1

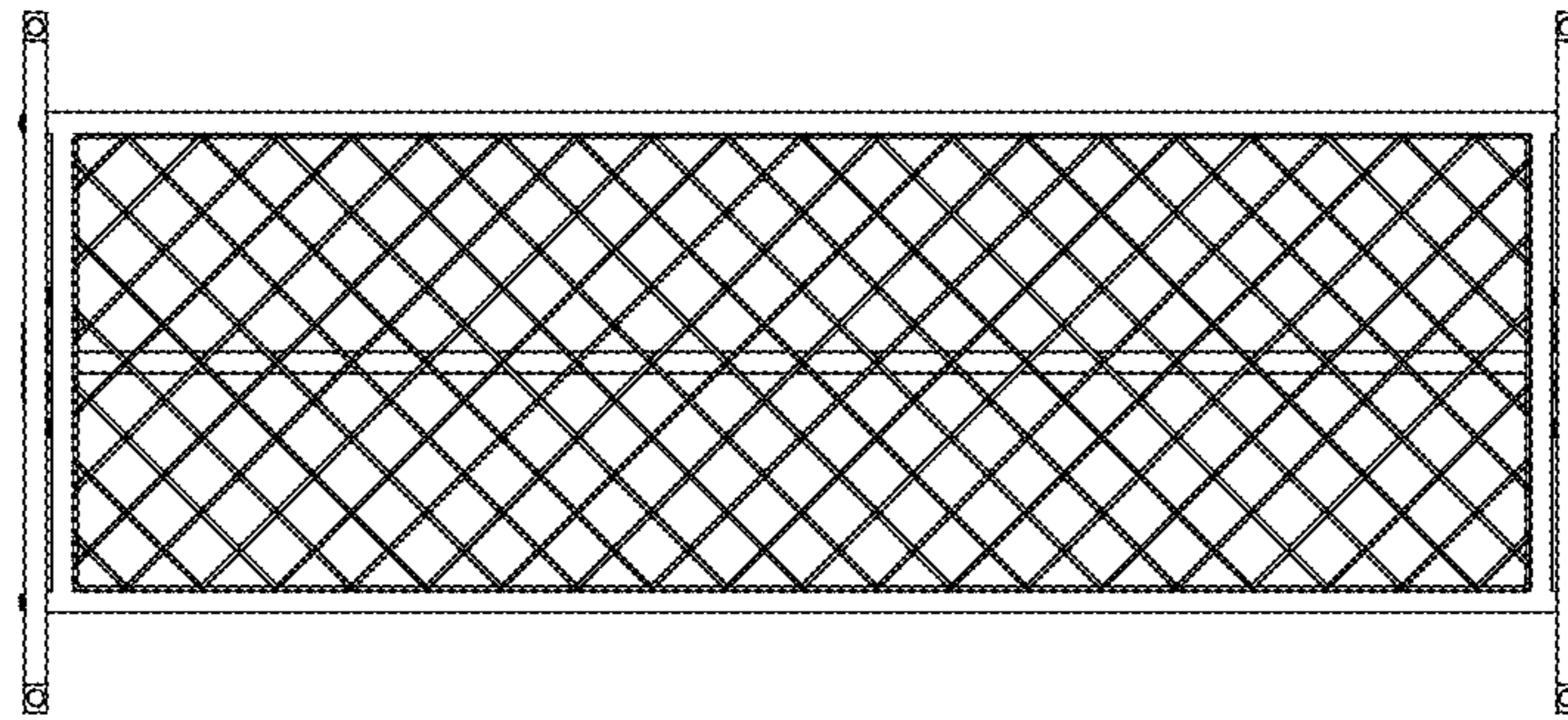


FIG. 2

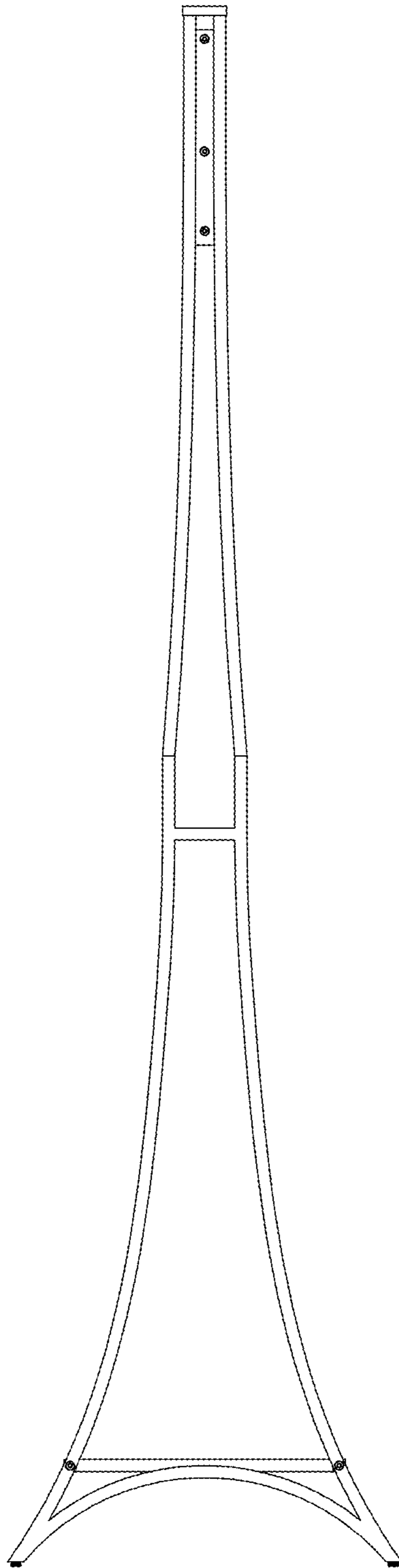


FIG. 3

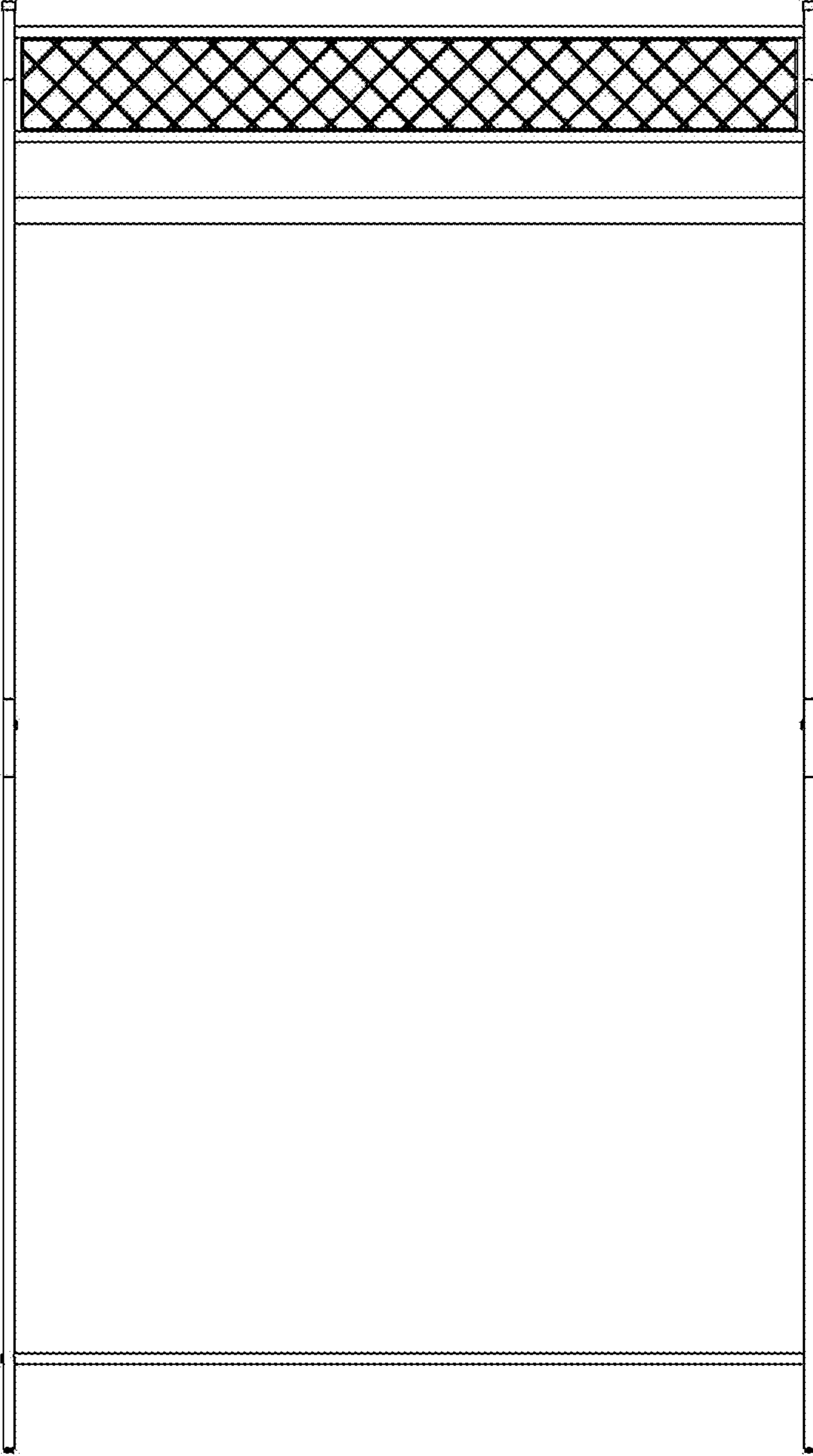


FIG. 4

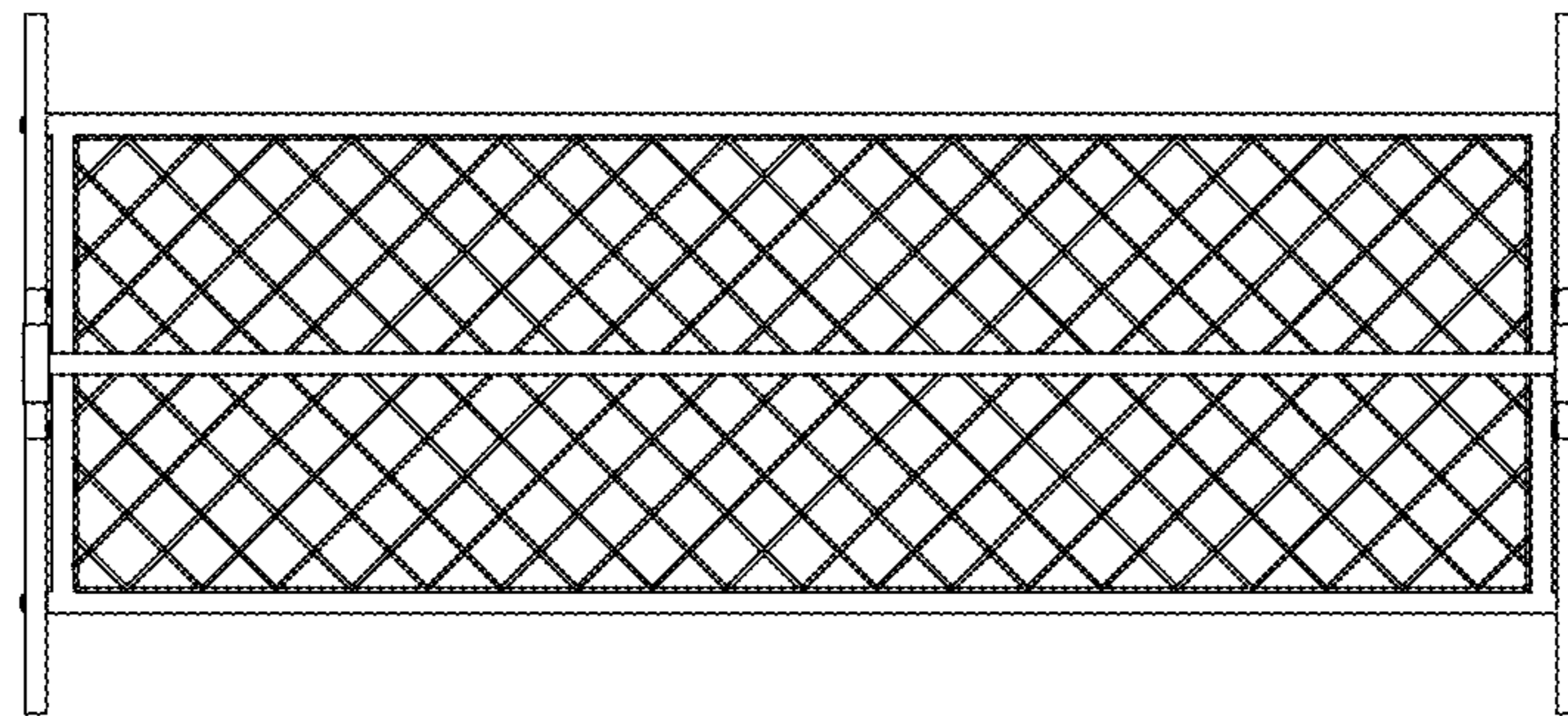


FIG. 5

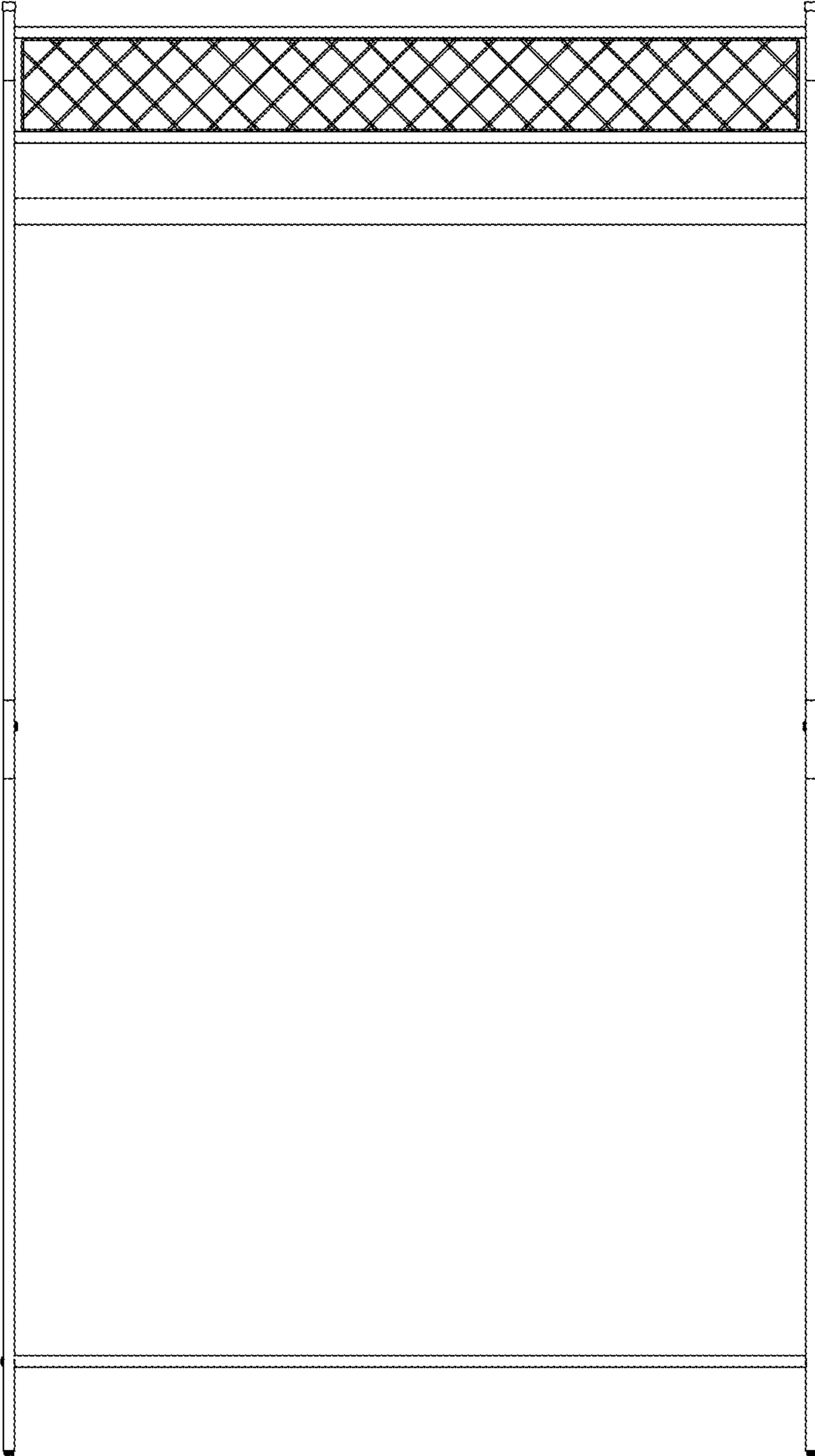


FIG. 6

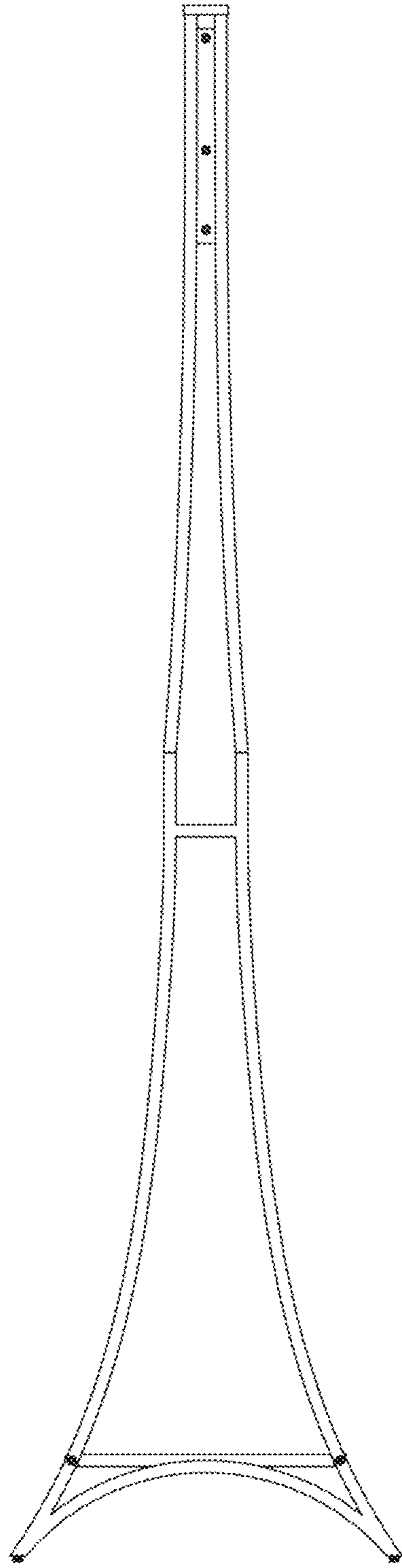


FIG. 7