



US00D911083S

(12) **United States Design Patent** (10) **Patent No.:** **US D911,083 S**
Rau et al. (45) **Date of Patent:** **** Feb. 23, 2021**

(54) **DISPLAY UNIT**

(71) Applicant: **GESA Form + Funktion Displaybau GmbH, Dreieich-Offenthal (DE)**

(72) Inventors: **Otmar Rau, Dreieich-Goetzenhain (DE); Benjamin Regnier, Paris (FR)**

(73) Assignee: **GESA FORM + FUNKTION DISPLAYBAU GMBH**

(**) Term: **15 Years**

(21) Appl. No.: **29/723,027**

(22) Filed: **Feb. 4, 2020**

Related U.S. Application Data

(62) Division of application No. 29/598,972, filed on Mar. 30, 2017, now Pat. No. Des. 878,115.

(30) **Foreign Application Priority Data**

Sep. 30, 2016 (EP) 003400837

(51) **LOC (13) Cl.** **06-06**

(52) **U.S. Cl.**
USPC **D6/675.1**

(58) **Field of Classification Search**

USPC D6/672, 673, 675, 675.1, 675.4, 678, D6/678.1, 678.3

CPC B65D 25/00; B65D 43/00; B65D 43/02; B65D 25/10; B65D 1/00; B65D 1/34; B65D 1/36; B65D 11/00; B65D 11/10; B65D 11/12; B65D 11/20; A47F 3/02; A47F 1/065; A47F 3/00; A47F 3/14; A47F 1/04

See application file for complete search history.

(56) **References Cited**

U.S. PATENT DOCUMENTS

2,333,717 A * 11/1943 Heed A47F 5/0037
312/50
4,065,021 A * 12/1977 Kedzierski B65D 5/48038
220/552
D294,908 S * 3/1988 Childress D6/570
D304,534 S * 11/1989 Gustafson D6/675.1
D327,590 S * 7/1992 Hardy D6/679
5,881,892 A * 3/1999 Loo A47F 5/0025
211/126.13
D417,977 S * 12/1999 Veto D6/675.1
6,068,139 A * 5/2000 Brozak, Jr. A47F 1/12
211/169
D430,432 S * 9/2000 Mason D6/678.1
D566,989 S * 4/2008 Mason D6/680.2
D584,078 S * 1/2009 Weigand D6/672
D669,284 S * 10/2012 Canavan D6/675.4
D673,864 S * 1/2013 Read D9/414
D697,744 S * 1/2014 Lipper McCauley D6/706
D756,561 S * 5/2016 Ghiotti D27/186
D756,562 S * 5/2016 Ghiotti D27/186
D761,599 S * 7/2016 Mason D6/675.1
D811,902 S * 3/2018 Lesina D9/760

(Continued)

Primary Examiner — Kelley A Donnelly

(74) *Attorney, Agent, or Firm* — Gerald E. Hespos; Michael J. Porco; Matthew T. Hespos

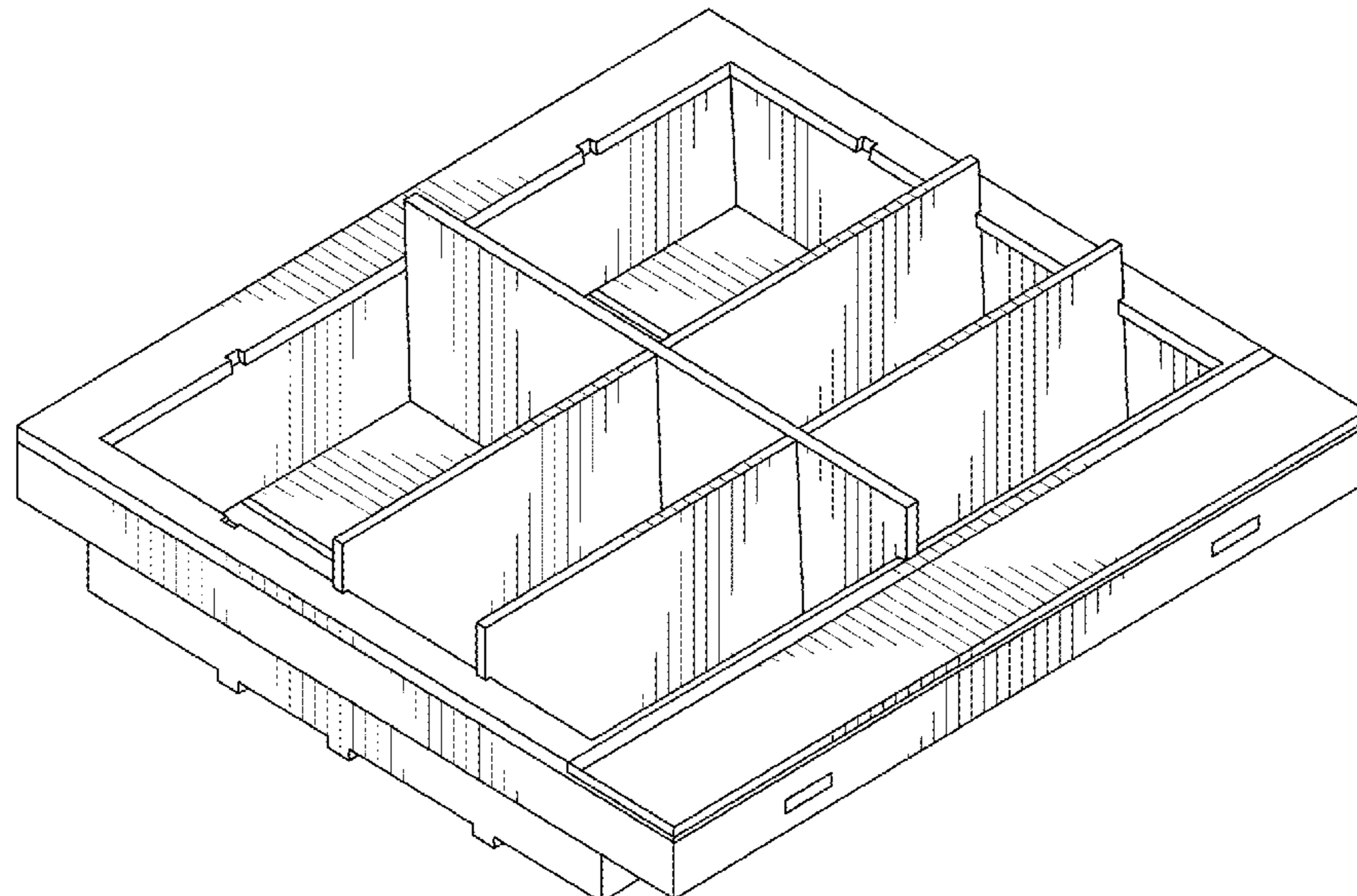
(57) **CLAIM**

The ornamental design for a display unit, as shown and described.

DESCRIPTION

FIG. 1 is a perspective view of a display unit in accordance with my design;
FIG. 2 is a bottom plan view of the display unit of FIG. 1;
FIG. 3 is a top plan view thereof;
FIG. 4 is a front elevational view thereof; and
FIG. 5 is a rear elevational view thereof;
FIG. 6 is a left plan view thereof; and,
FIG. 7 is a right plan view thereof.

1 Claim, 5 Drawing Sheets



(56)

References Cited

U.S. PATENT DOCUMENTS

D817,670 S * 5/2018 Germain D6/675.4
10,028,595 B2 * 7/2018 Rau H05K 7/1414
D866,321 S * 11/2019 Bennett D9/432
2005/0006327 A1 * 1/2005 Campbell A47F 7/163
211/55
2011/0204009 A1 * 8/2011 Karan A47F 1/12
211/59.2
2014/0263351 A1 * 9/2014 Youell B65D 5/48038
220/507

* cited by examiner

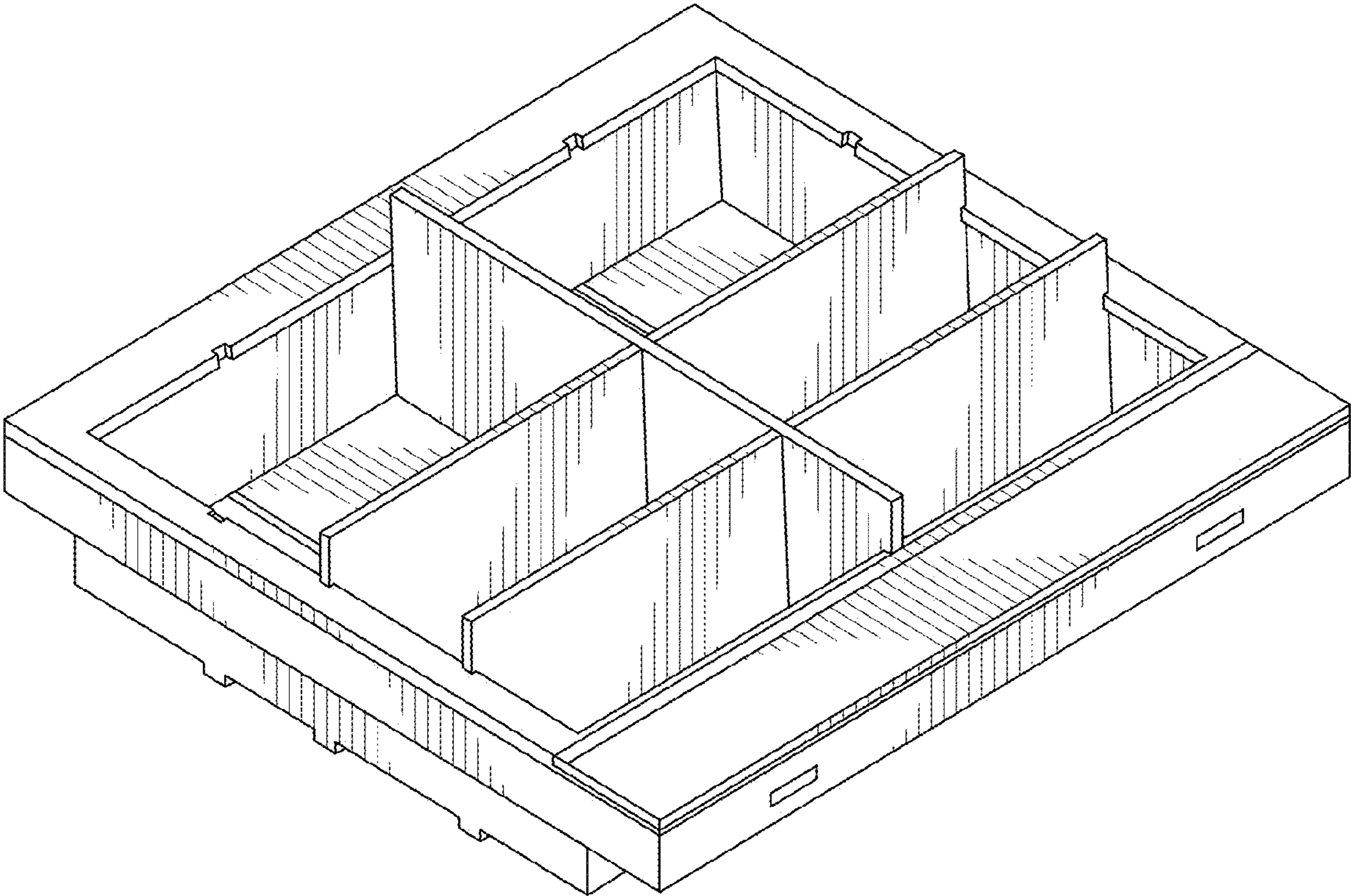


FIG. 1

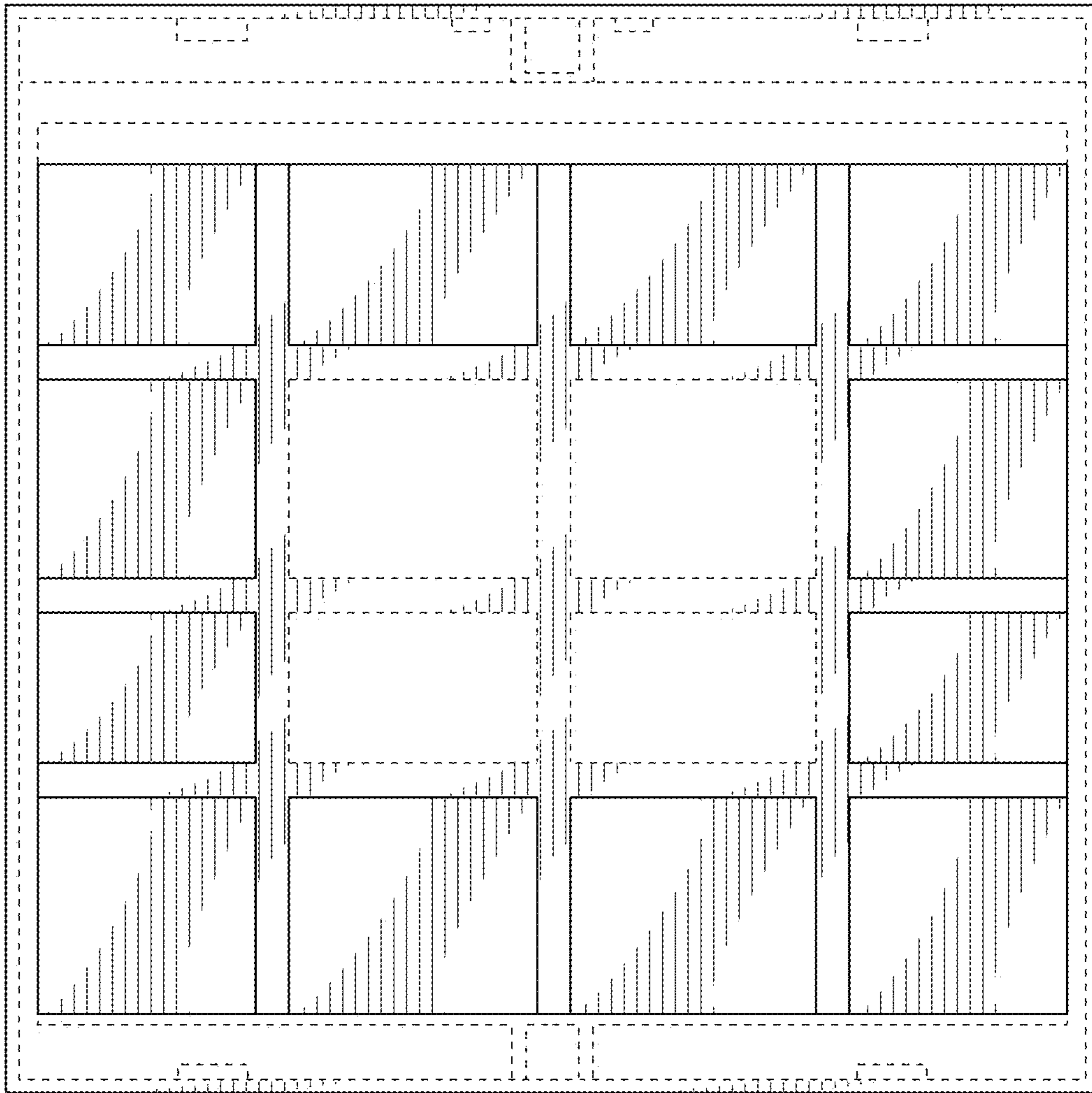


FIG. 2

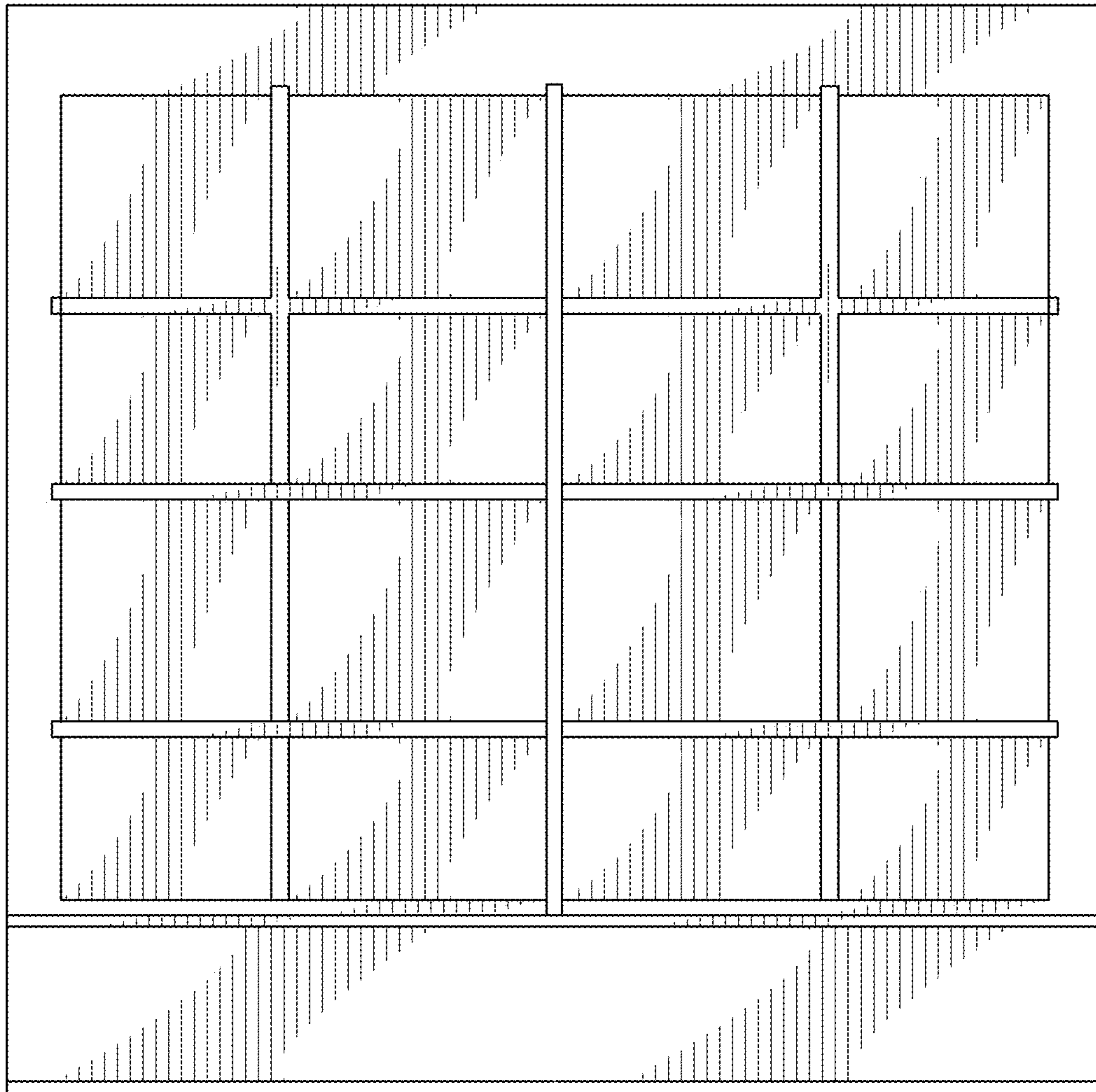


FIG. 3

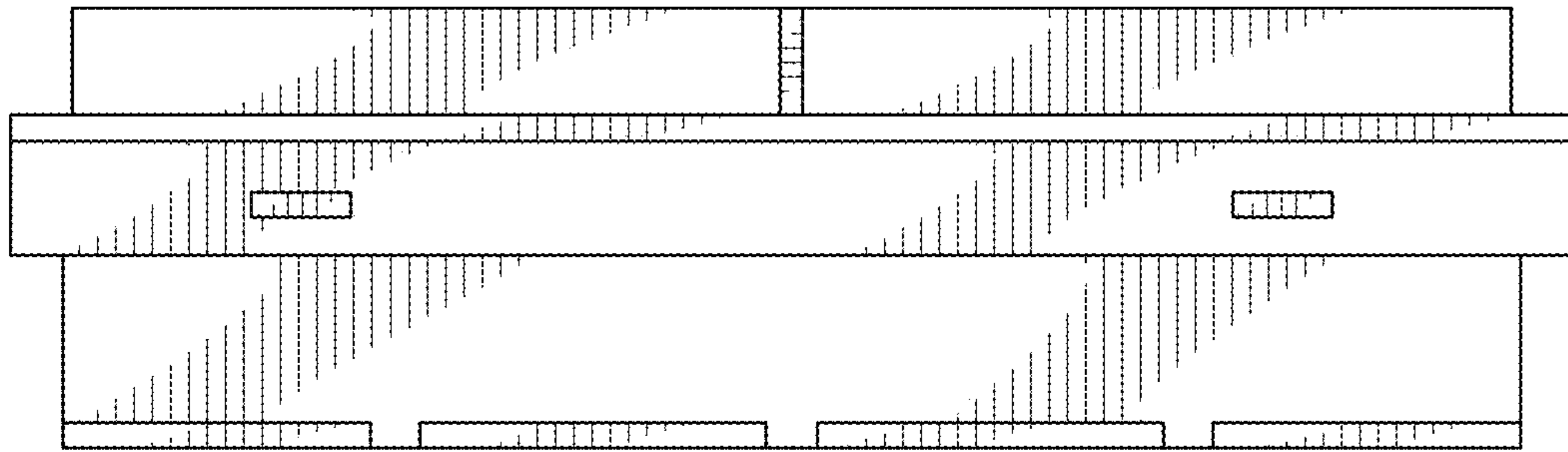


FIG. 4

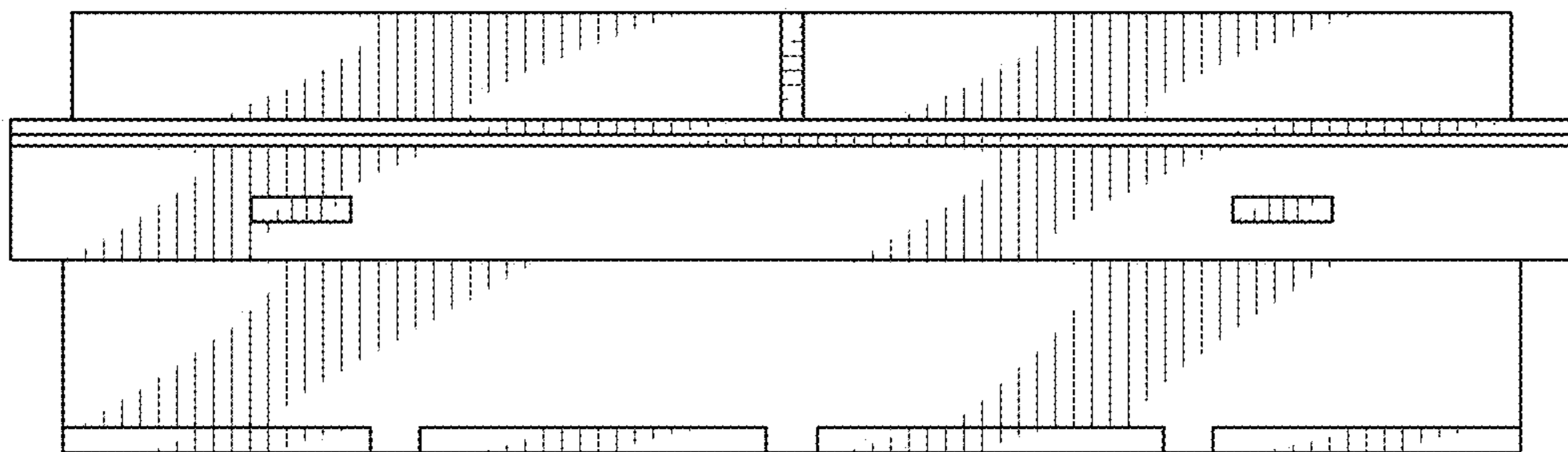


FIG. 5

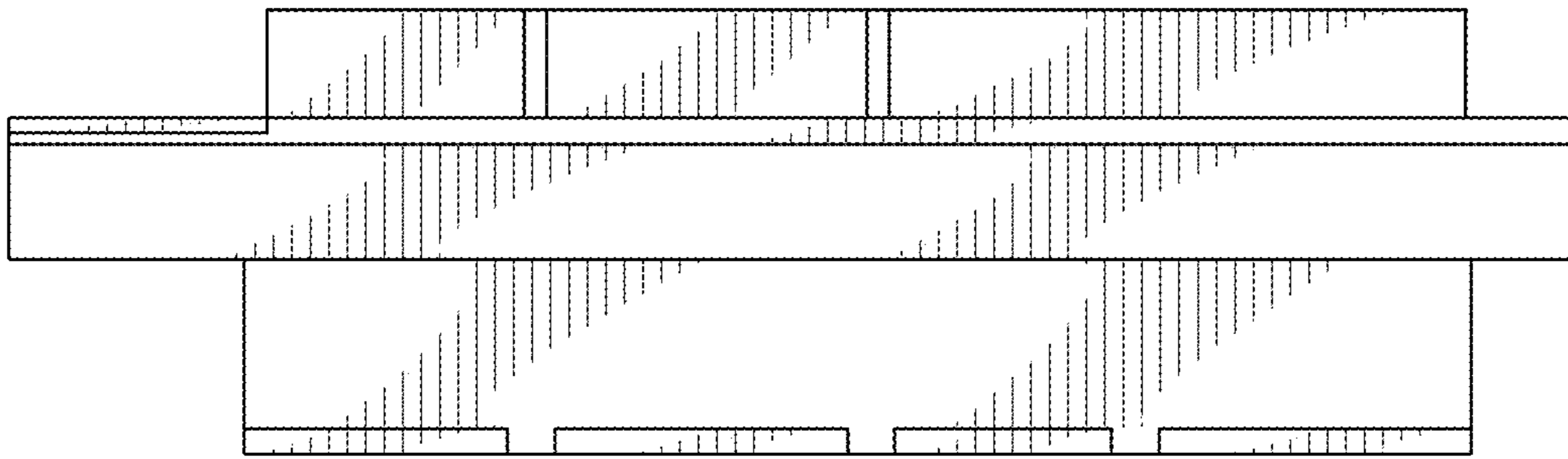


FIG. 6

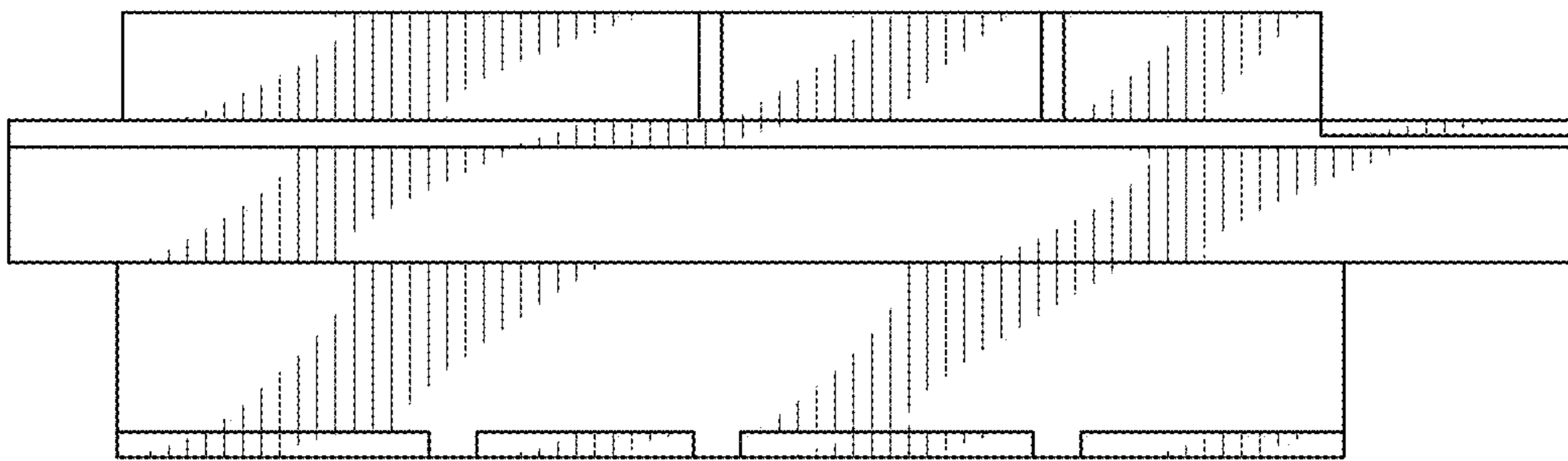


FIG. 7