



US00D911081S

(12) **United States Design Patent**  
**Zhou**

(10) **Patent No.:** **US D911,081 S**

(45) **Date of Patent:** **\*\* Feb. 23, 2021**

(54) **RACK**

(71) Applicant: **Zhiming Zhou**, Xiamen (CN)

(72) Inventor: **Zhiming Zhou**, Xiamen (CN)

(\*\*) Term: **15 Years**

(21) Appl. No.: **29/743,646**

(22) Filed: **Jul. 23, 2020**

(51) **LOC (13) Cl.** ..... **06-06**

(52) **U.S. Cl.**  
USPC ..... **D6/675**

(58) **Field of Classification Search**  
USPC ..... D6/672, 673, 675, 682, 682.1, 683;  
D3/304, 314–315, 328  
CPC . A47B 81/00; A47F 3/00; A47F 3/004; A47F  
3/0439; A47F 3/007; B65D 7/00; B65D  
7/12; B65D 7/14  
See application file for complete search history.

(56) **References Cited**

**U.S. PATENT DOCUMENTS**

- D89,907 S \* 5/1933 McGarry ..... D6/675.3
- 3,856,064 A \* 12/1974 Swalleri ..... B65D 37/00  
220/9.3
- D244,430 S \* 5/1977 Larkin ..... D9/432
- D263,121 S \* 2/1982 Lowry ..... D9/432
- D279,529 S \* 7/1985 Denhoff ..... D6/675.3
- D280,369 S \* 9/1985 Stevens ..... D6/683.1
- D283,186 S \* 4/1986 Sandy ..... D6/675
- 6,409,077 B1 \* 6/2002 Telesca ..... B65D 5/5007  
206/45.29
- D628,407 S \* 12/2010 Robbins, III ..... D6/683

- D700,070 S \* 2/2014 Markovic ..... D9/736
- D704,130 S \* 5/2014 Kristensen ..... D12/407
- D715,641 S \* 10/2014 Spinos ..... D9/432
- D732,324 S \* 6/2015 Hawkins ..... D6/683.1
- D780,265 S \* 2/2017 Greenspon ..... D19/90
- D780,848 S \* 3/2017 Greenspon ..... D19/92
- D795,060 S \* 8/2017 Talios ..... D9/432
- D814,216 S \* 4/2018 French ..... D6/675
- D880,190 S 4/2020 Williams et al.
- 2006/0124710 A1 \* 6/2006 Sun ..... B65D 5/2038  
229/112
- 2020/0154908 A1 \* 5/2020 Johnson ..... A47F 5/0025

\* cited by examiner

*Primary Examiner* — Kelley A Donnelly

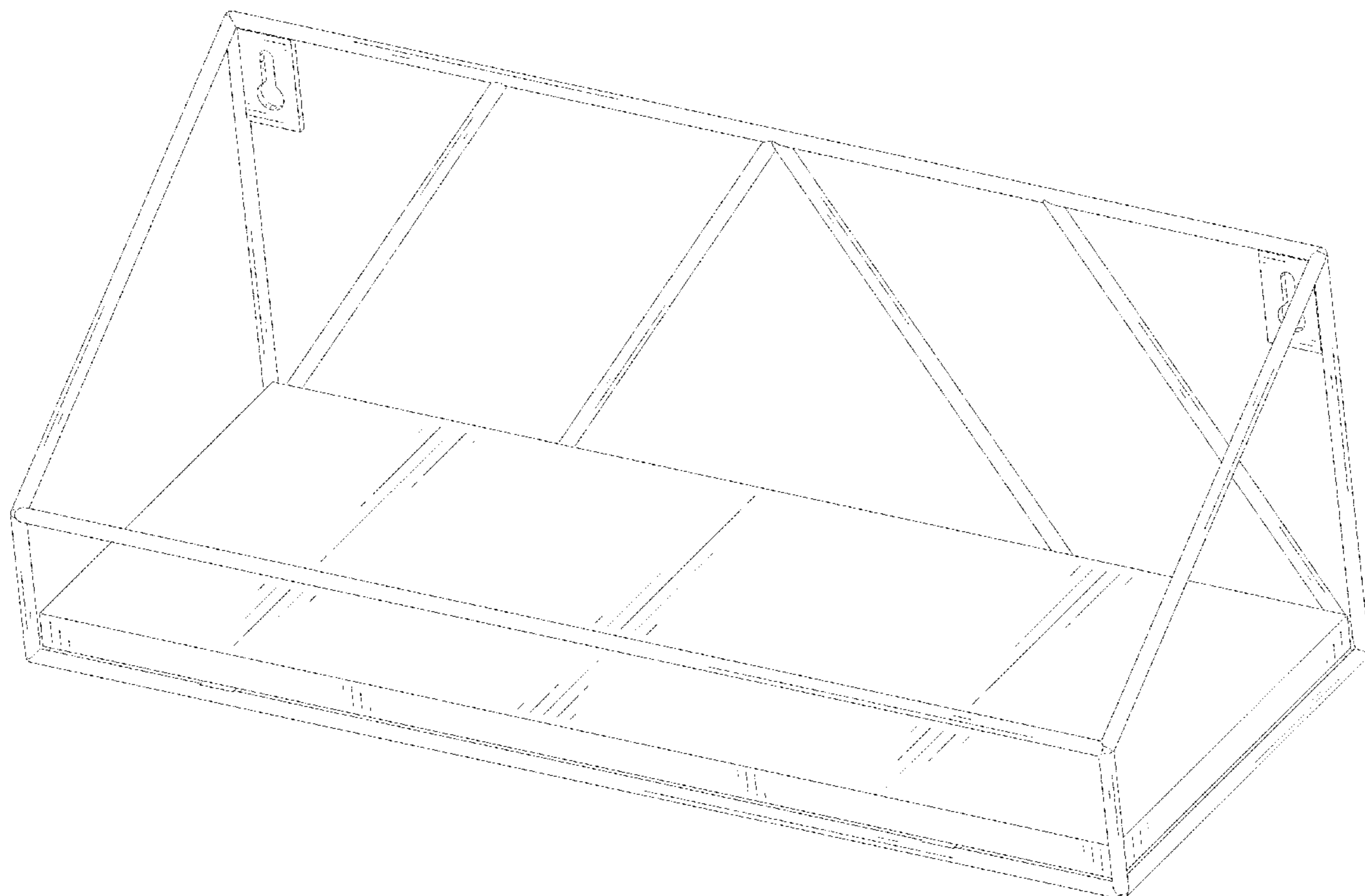
(57) **CLAIM**

The ornamental design for a rack, as shown and described.

**DESCRIPTION**

FIG. 1 is a perspective view of a rack showing my new design;  
 FIG. 2 is another perspective view thereof;  
 FIG. 3 is a front elevational view thereof;  
 FIG. 4 is a rear elevational view thereof;  
 FIG. 5 is a left side elevational view thereof;  
 FIG. 6 is a right side elevational view thereof;  
 FIG. 7 is a top plan view thereof; and,  
 FIG. 8 is a bottom plan view thereof.  
 The broken lines in the drawings depict portions of the rack that form no part of the claimed design.

**1 Claim, 8 Drawing Sheets**



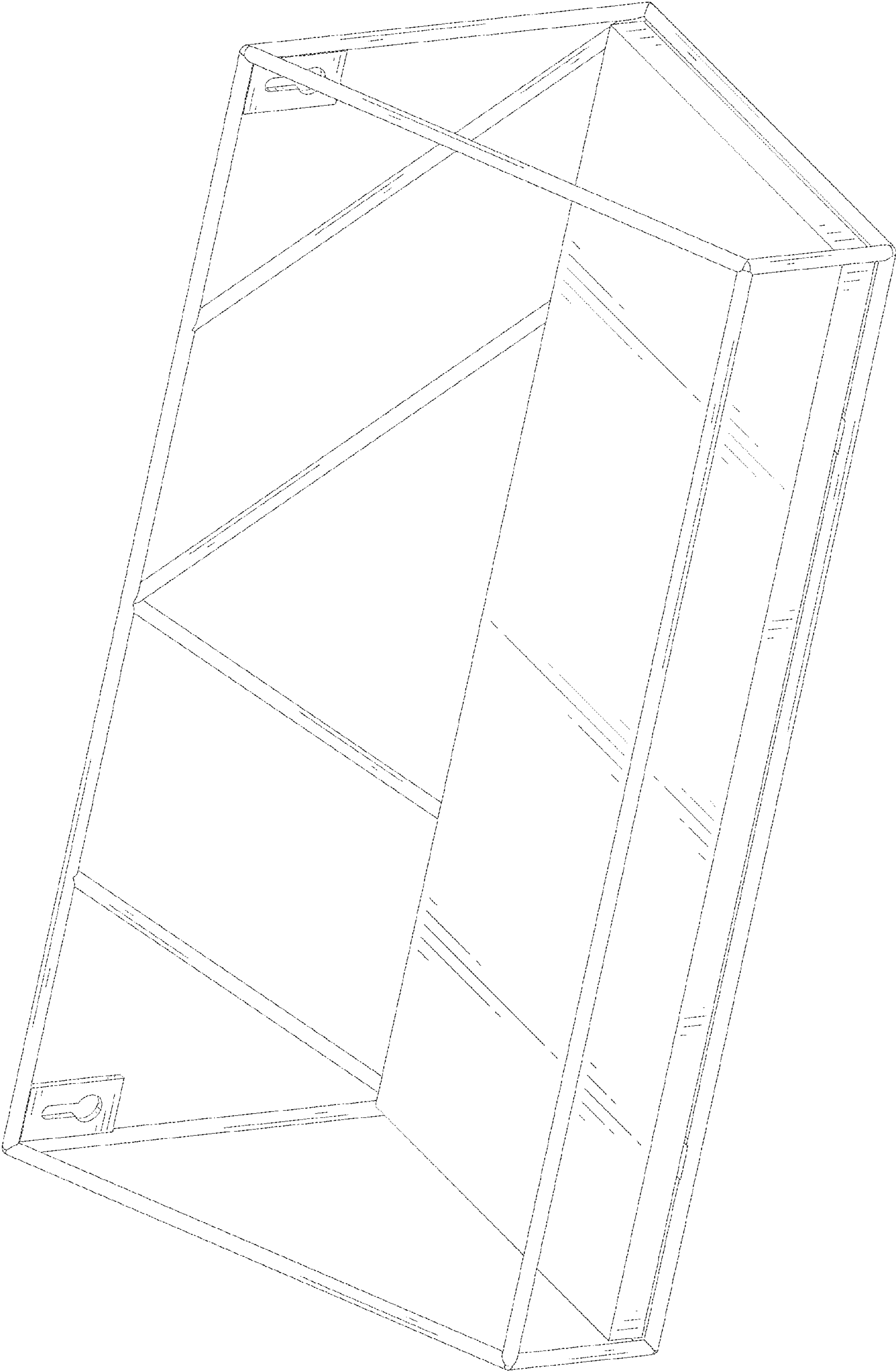


FIG. 1

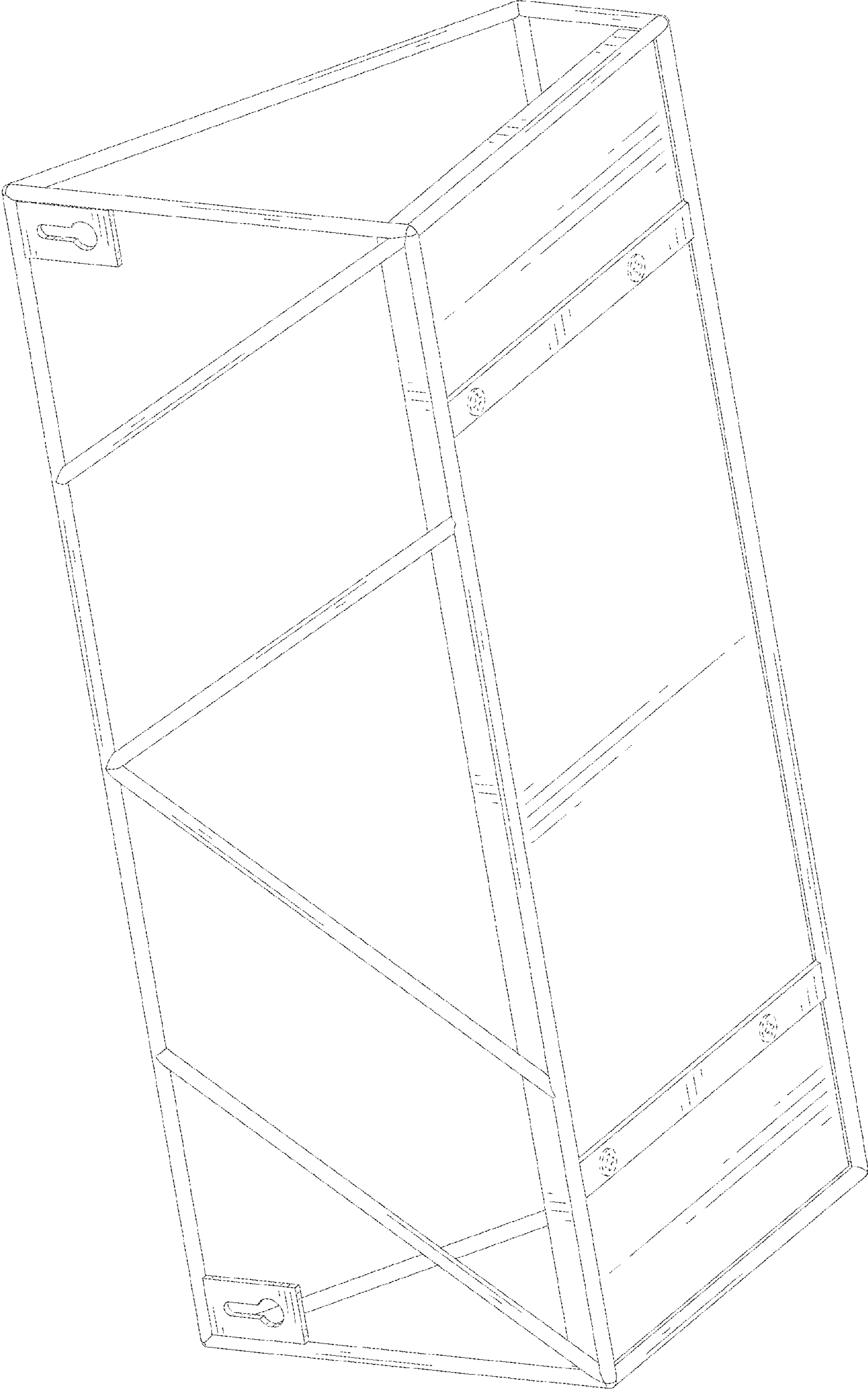


FIG. 2

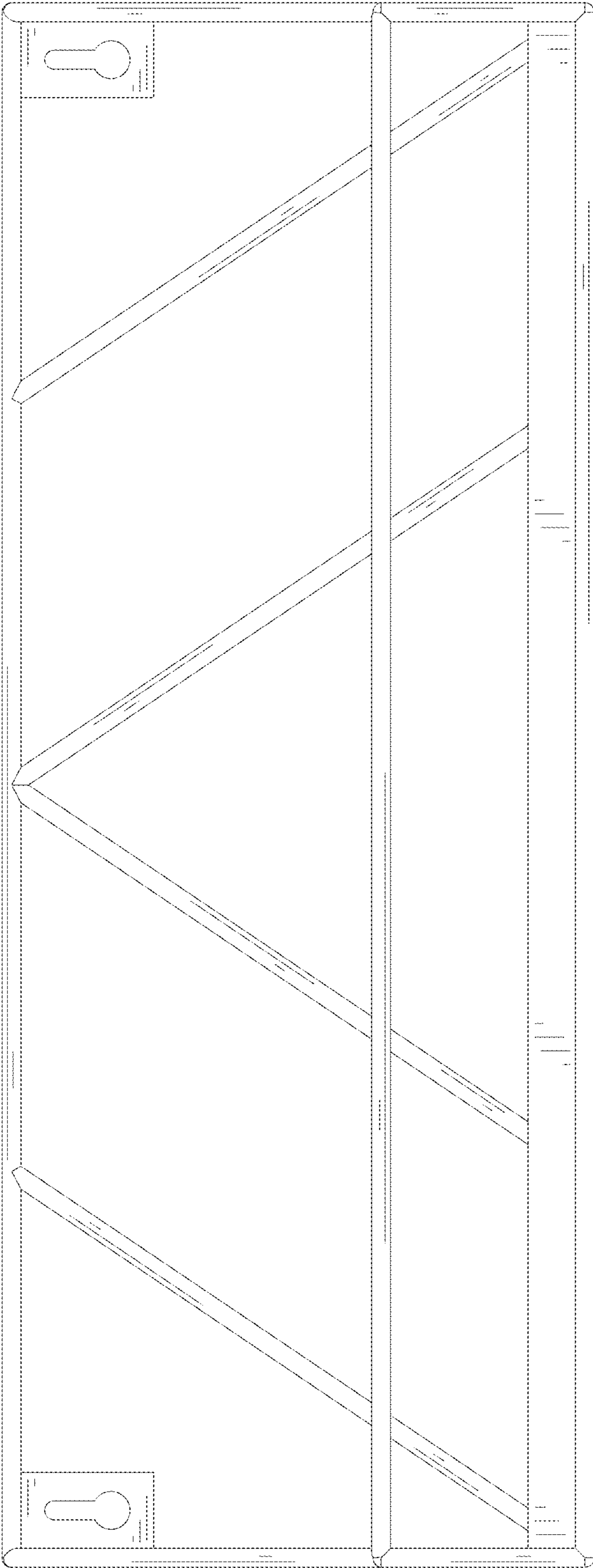


FIG. 3

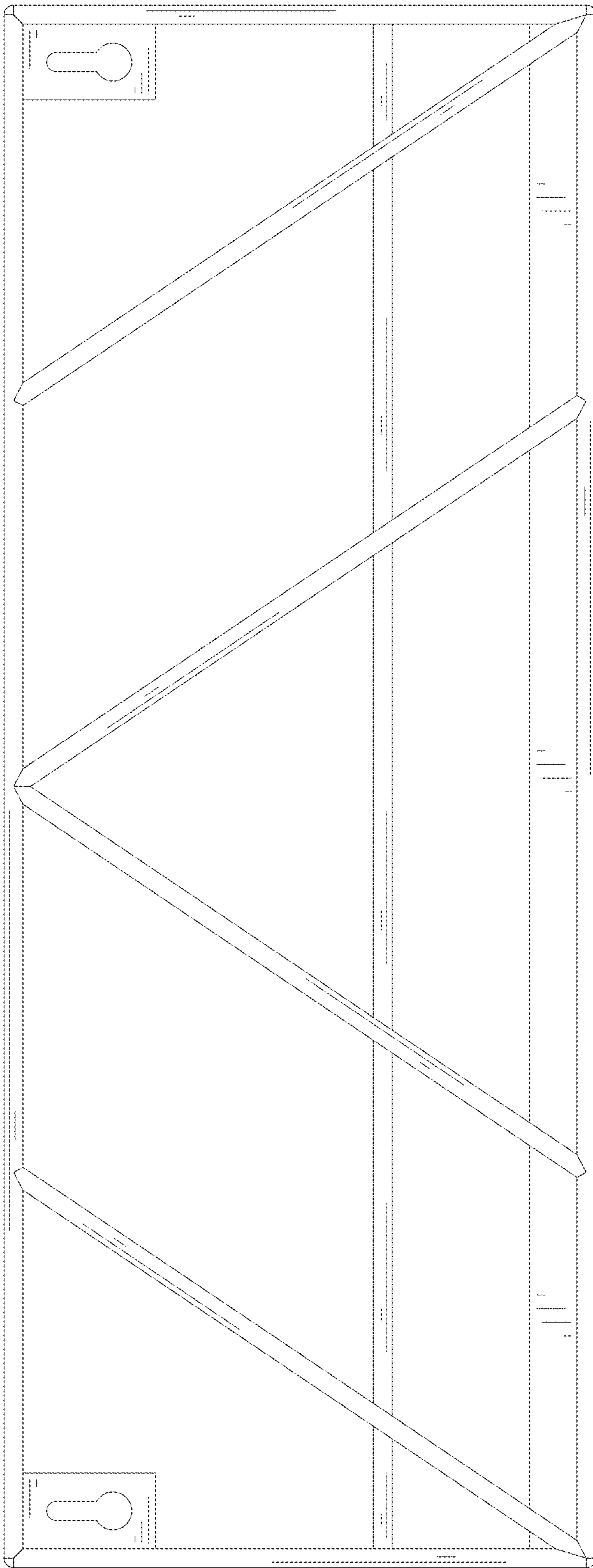


FIG. 4

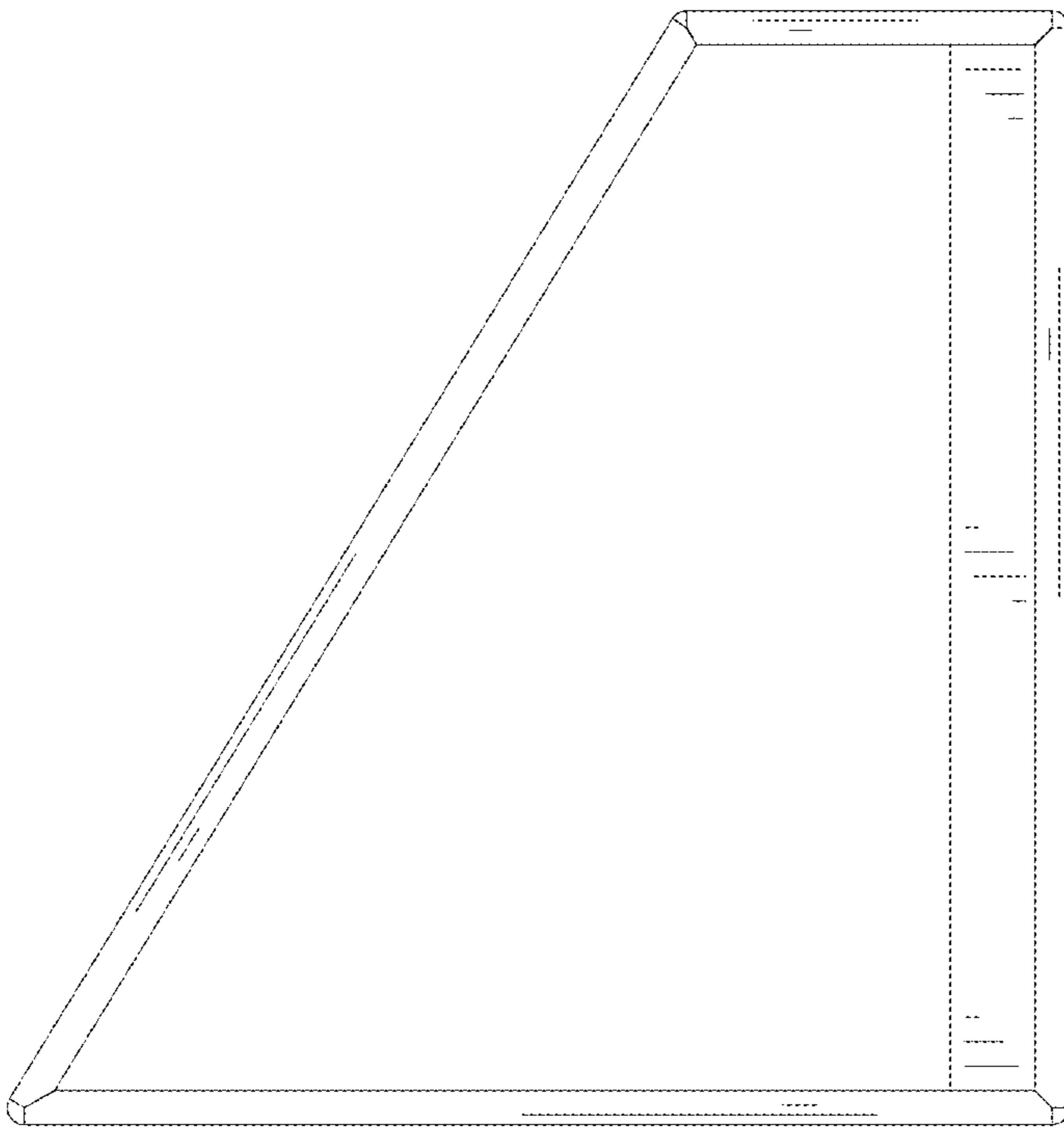


FIG. 5

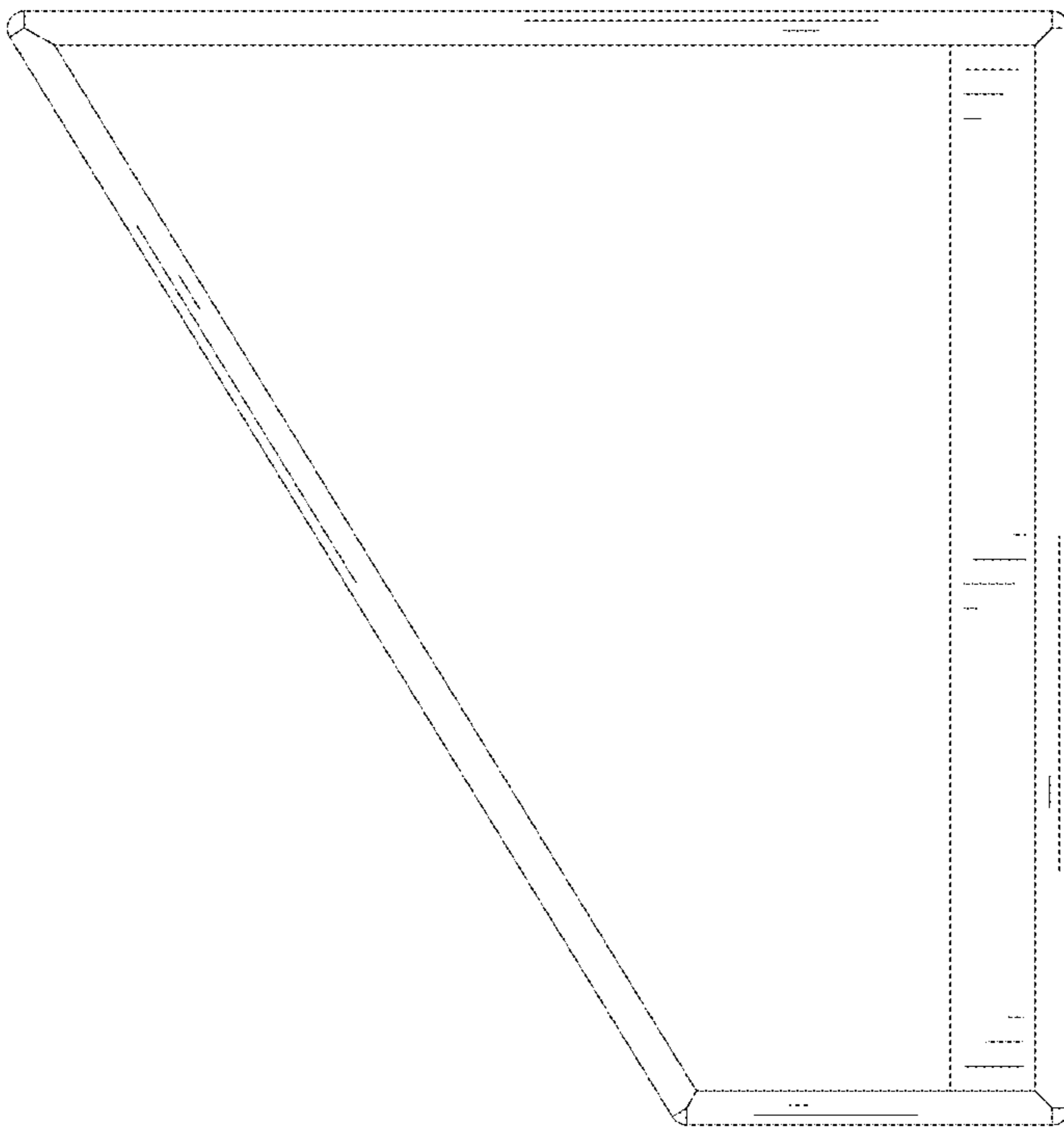


FIG. 6

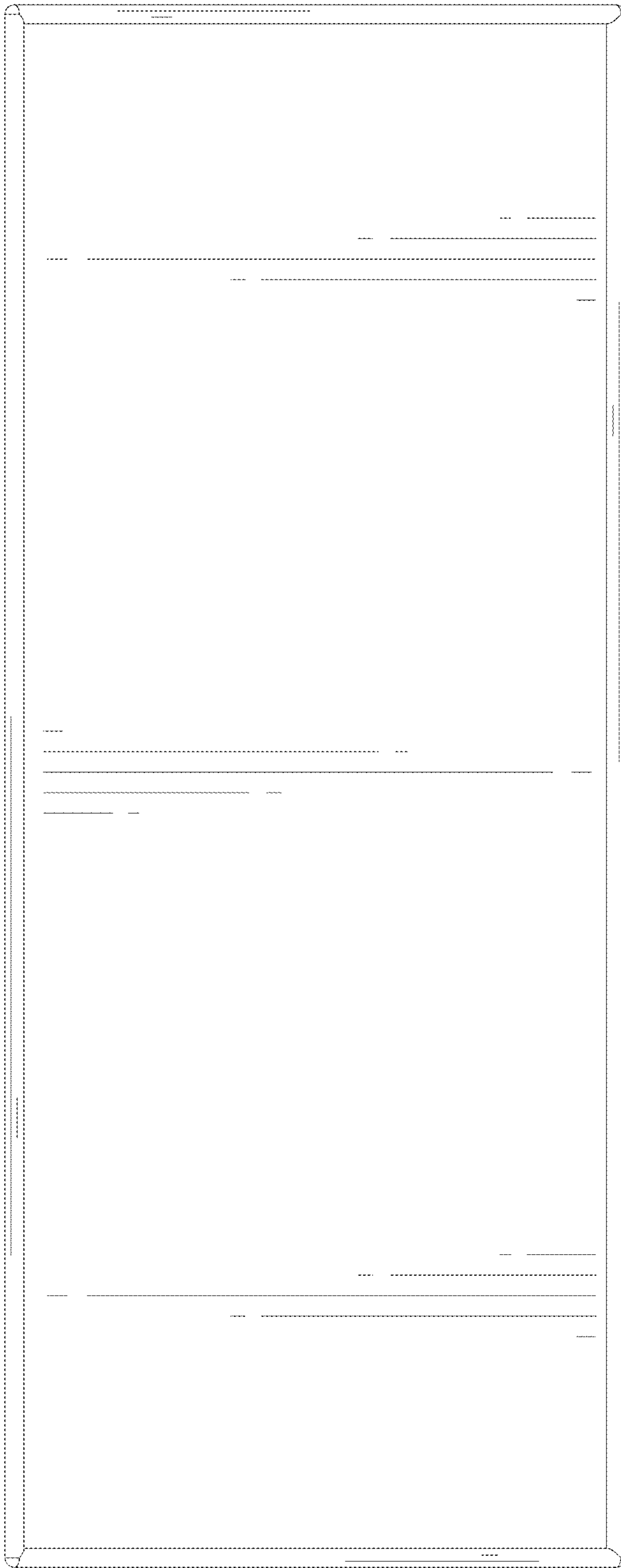


FIG. 7



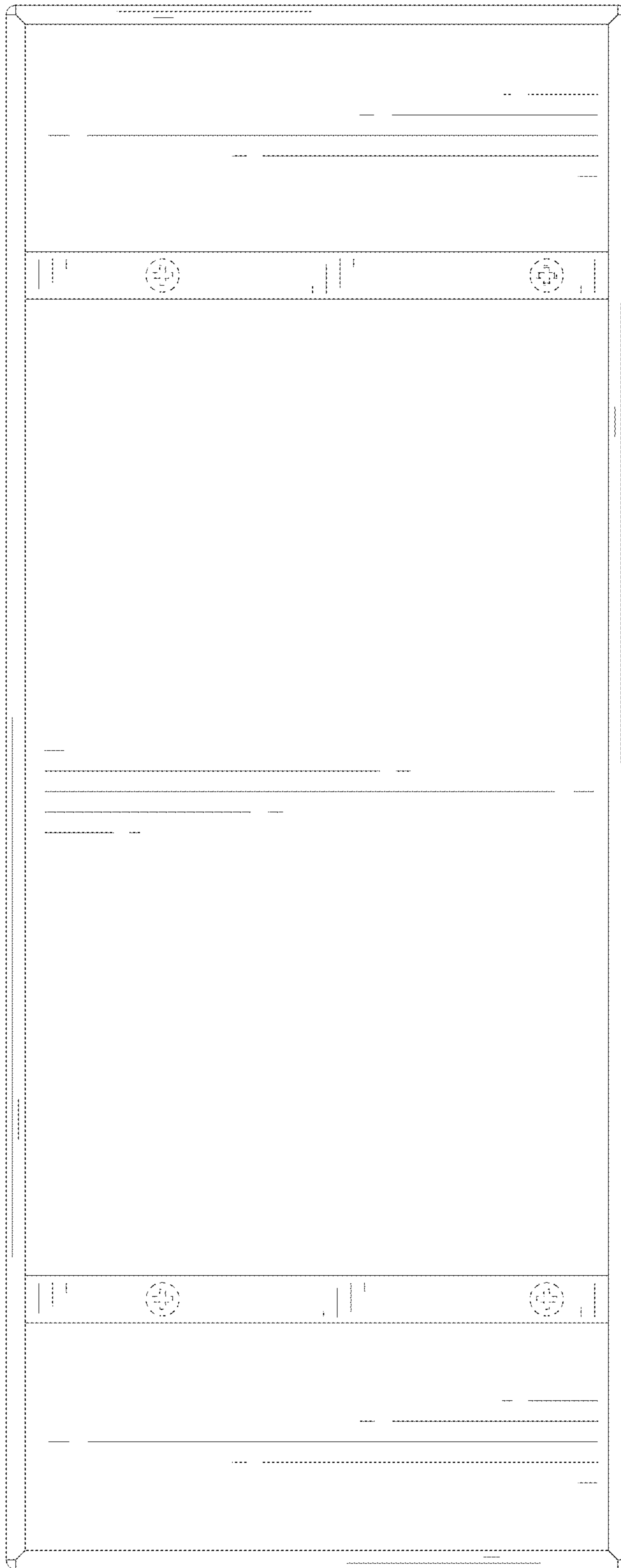


FIG. 8