



US00D911080S

(12) **United States Design Patent** (10) **Patent No.:** **US D911,080 S**
King et al. (45) **Date of Patent:** **** Feb. 23, 2021**

(54) **ARTICLE OF FURNITURE**

(74) *Attorney, Agent, or Firm* — Banner & Witcoff, Ltd.

(71) Applicant: **King Furniture Australia Pty Ltd.,**
Turrella (AU)

(72) Inventors: **David King,** Turrella (AU); **Tanya**
Rechberger, Turrella (AU)

(57) **CLAIM**

The ornamental design for an article of furniture, as shown
and described.

(73) Assignee: **King Furniture Australia Pty Ltd.,**
Turrella (AU)

(**) Term: **15 Years**

DESCRIPTION

(21) Appl. No.: **29/628,185**

(22) Filed: **Dec. 1, 2017**

(30) **Foreign Application Priority Data**

Jun. 2, 2017 (AU) 201713320
Jun. 2, 2017 (AU) 201713321

(51) **LOC (13) Cl.** **20-20**

(52) **U.S. Cl.**
USPC **D6/675; D6/336; D6/691**

(58) **Field of Classification Search**
USPC ... D6/336, 349, 641, 642, 655, 655.21, 656,
D6/656.1, 656.16, 672, 673, 675, 675.1,
D6/706, 708; D25/113, 114, 115, 118,
D25/132, 164
CPC A47B 87/00; A47B 83/04
See application file for complete search history.

FIG. 1 is a front perspective view of an article of furniture showing our new design;
FIG. 2 is a right side view thereof, the left side view being a mirror image thereof;
FIG. 3 is a top view thereof;
FIG. 4 is a front view thereof, the rear view being a mirror image thereof;
FIG. 5 is a bottom view thereof;
FIG. 6 is a front perspective view of a second embodiment of the article of furniture showing our new design;
FIG. 7 is a right side view thereof, the left side view being a mirror image thereof;
FIG. 8 is a top view thereof;
FIG. 9 is a front view thereof, the rear view being a mirror image thereof;
FIG. 10 is a bottom view thereof;
FIG. 11 is a top view of a third embodiment of the article of furniture showing our new design;
FIG. 12 is a left side view thereof;
FIG. 13 is a front view thereof;
FIG. 14 is a right side view thereof;
FIG. 15 is a rear view thereof; and,
FIG. 16 is a front perspective view thereof.
In FIGS. 1-5, the article of furniture is shown with a symbolic break in its length. The appearance of any portion of the article between the lines forms no part of the claimed design. The broken lines in FIGS. 11-16 represent environmental structure only and form no part of the claimed design.

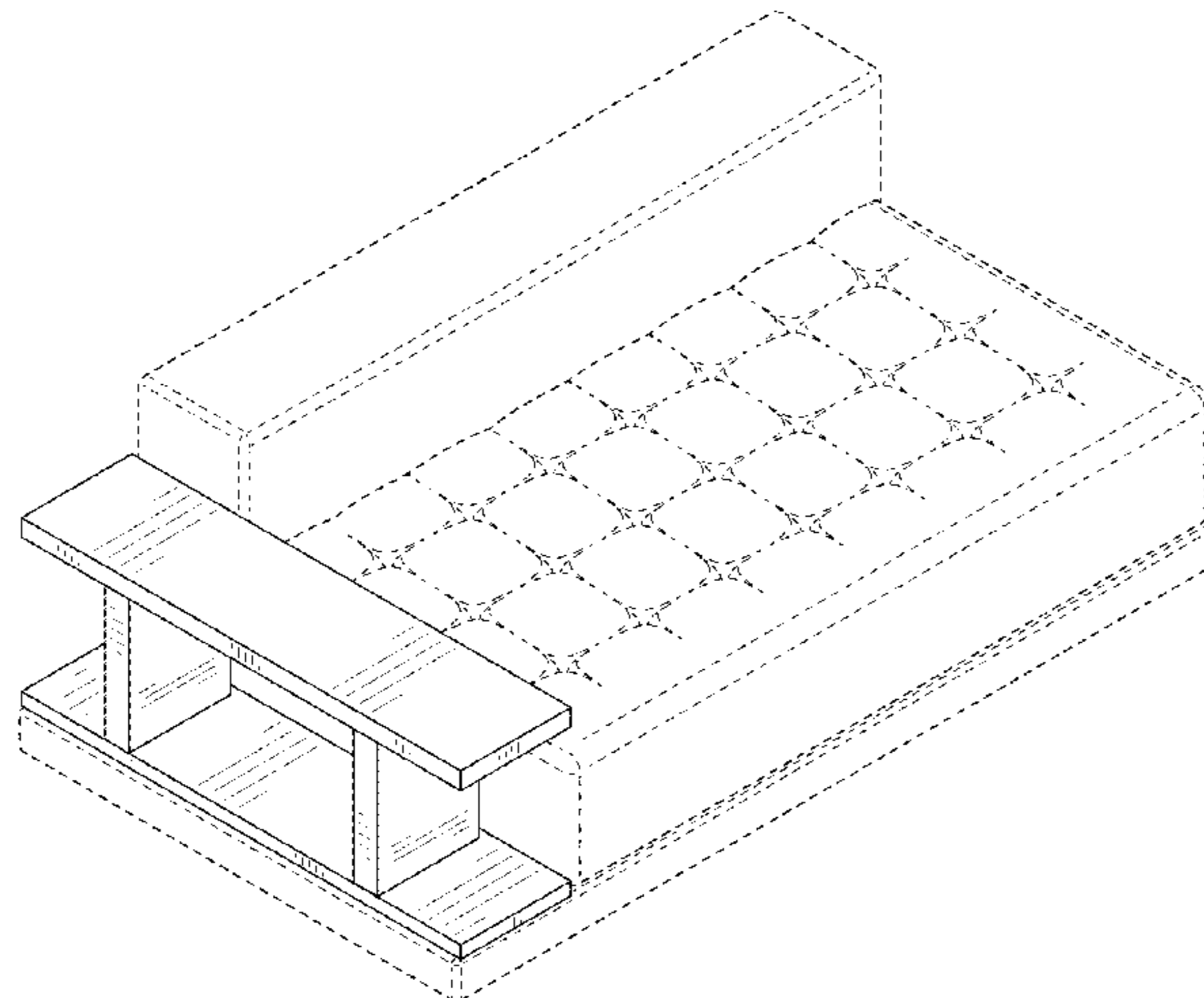
(56) **References Cited**

U.S. PATENT DOCUMENTS

D113,147 S 1/1939 Root
D131,625 S * 3/1942 Wright D6/673
D158,492 S * 5/1950 Mont D6/336
D192,734 S * 5/1962 Terry D25/118
D225,846 S * 1/1973 Cruzen, Jr. D25/118
3,834,776 A * 9/1974 Becker, Jr. A47B 85/00
312/108
3,951,453 A 4/1976 Zapf
(Continued)

Primary Examiner — Deanna L Pratt

1 Claim, 5 Drawing Sheets



(56)

References Cited

U.S. PATENT DOCUMENTS

4,077,666 A 3/1978 Heumann
 4,621,381 A 11/1986 Schramek
 D287,434 S * 12/1986 Wolfe D6/336
 D347,945 S * 6/1994 Walters-Leiter D6/353
 D361,453 S * 8/1995 Sussman D6/675.1
 D386,631 S * 11/1997 Meier D6/656.1
 D392,246 S * 3/1998 Anderson D12/400
 D482,878 S * 12/2003 Arendt D6/349
 D495,902 S * 9/2004 Haberman D6/655
 D504,034 S 4/2005 Higgs et al.
 D518,979 S * 4/2006 Petitclerc D6/571
 D527,210 S * 8/2006 Berry D6/675.1
 D577,925 S 10/2008 Gomez
 D604,957 S 12/2009 Weiss
 D610,366 S 2/2010 Kanthasamy
 D629,221 S 12/2010 Starck
 D649,807 S * 12/2011 Stoepker D6/675
 D665,198 S * 8/2012 Levy D6/675.1
 D676,680 S 2/2013 Arko et al.

D697,344 S * 1/2014 Kerian D6/690
 D718,958 S * 12/2014 Boorazanes D6/675
 D762,997 S 8/2016 King et al.
 D763,000 S 8/2016 King et al.
 D763,590 S 8/2016 King et al.
 D763,591 S 8/2016 King et al.
 D763,592 S 8/2016 King et al.
 D764,192 S * 8/2016 Gelman D6/349
 D776,466 S * 1/2017 Bonuccelli D6/675.1
 D781,608 S 3/2017 King et al.
 D781,609 S 3/2017 King et al.
 D781,610 S 3/2017 King et al.
 D789,103 S * 6/2017 Webb D6/336
 D815,443 S 4/2018 Bozzoli
 D828,902 S * 9/2018 Kent D23/206
 D828,903 S * 9/2018 Kent D23/206
 D829,451 S 10/2018 Bozzoli
 D833,188 S * 11/2018 Kershner D6/691.4
 D836,351 S * 12/2018 King D6/336
 D849,427 S * 5/2019 Lissoni D6/336
 2017/0303690 A1 10/2017 King et al.

* cited by examiner

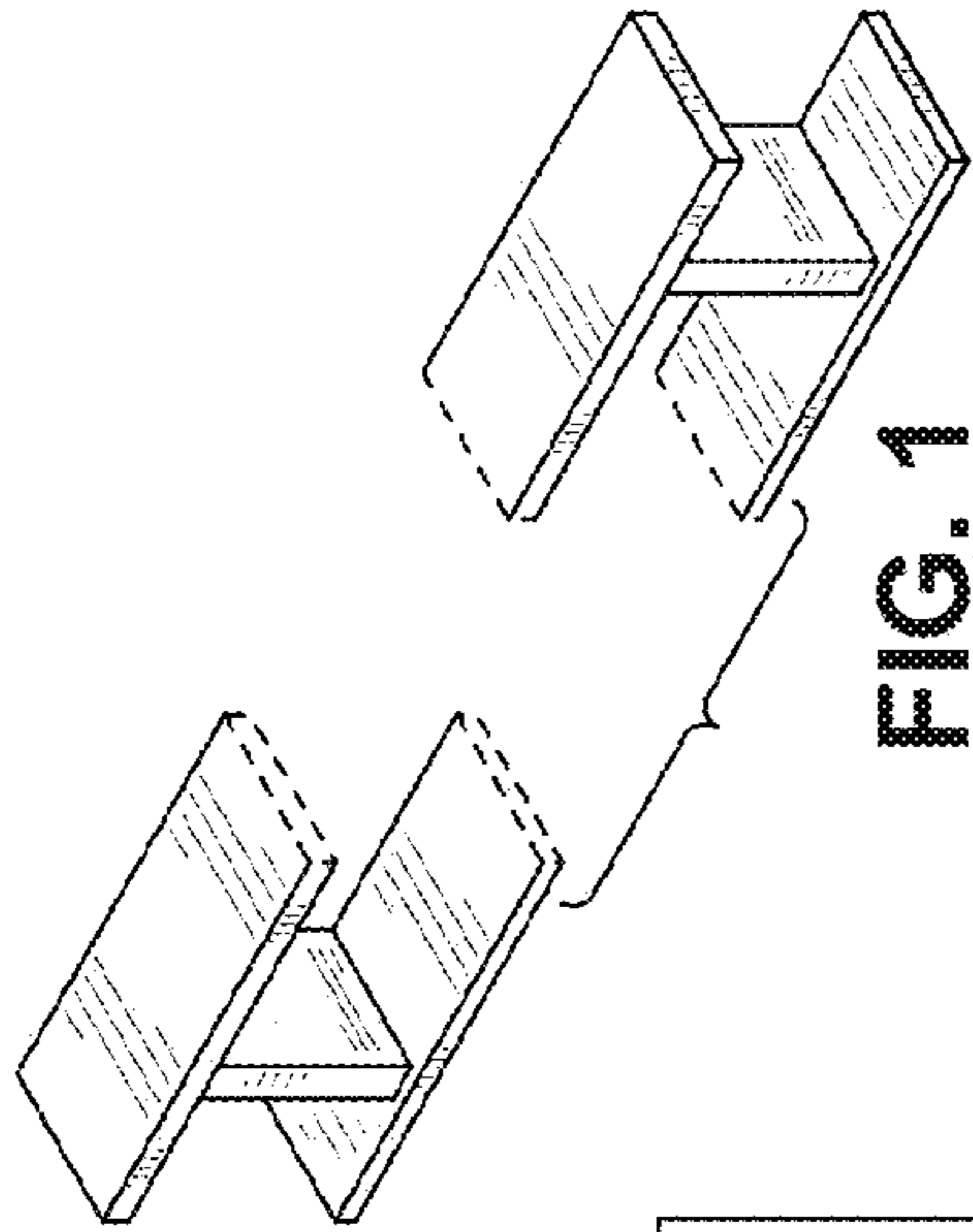


FIG. 1

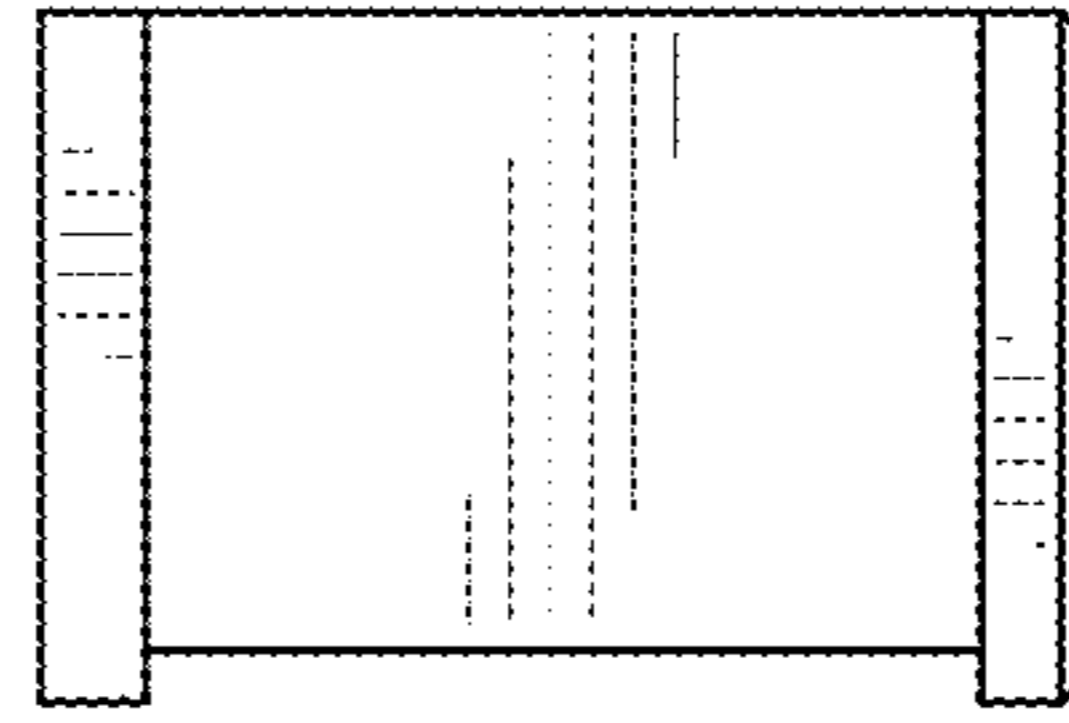


FIG. 2

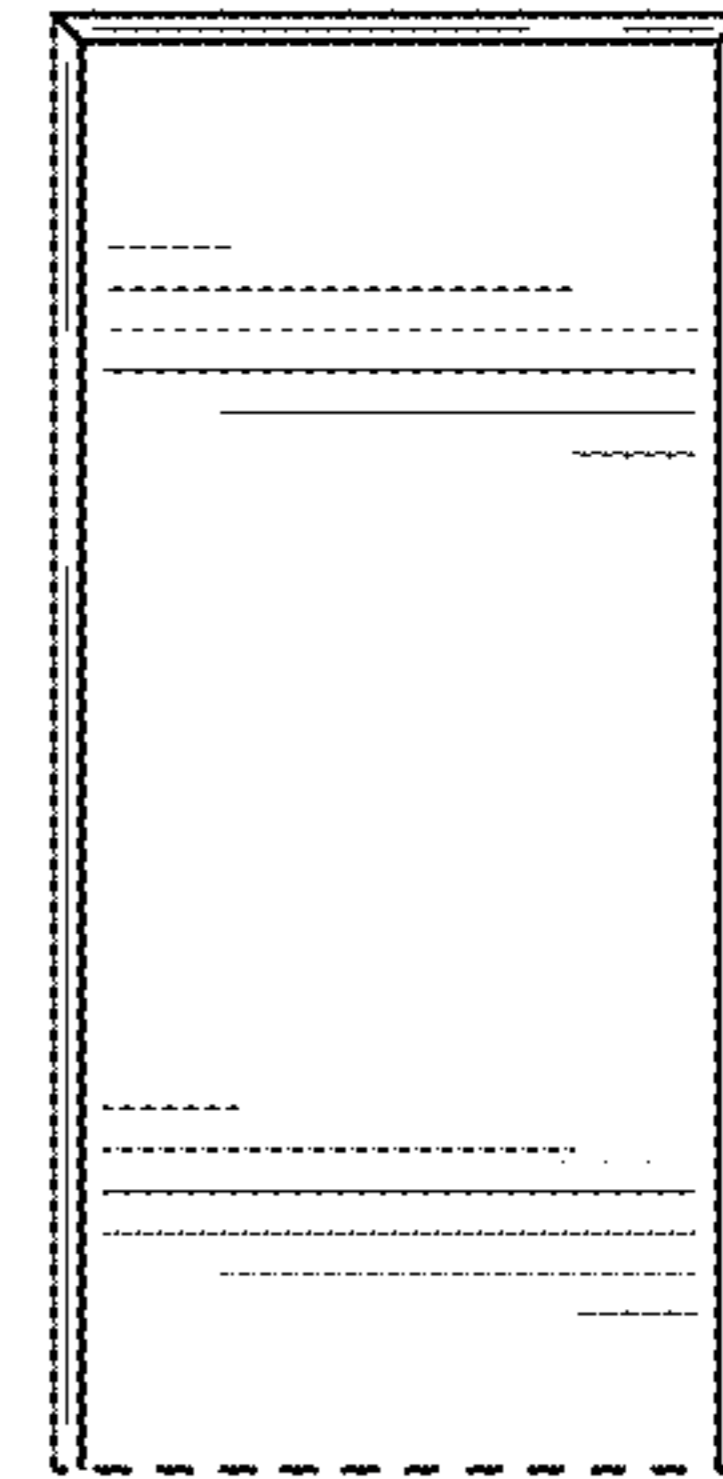
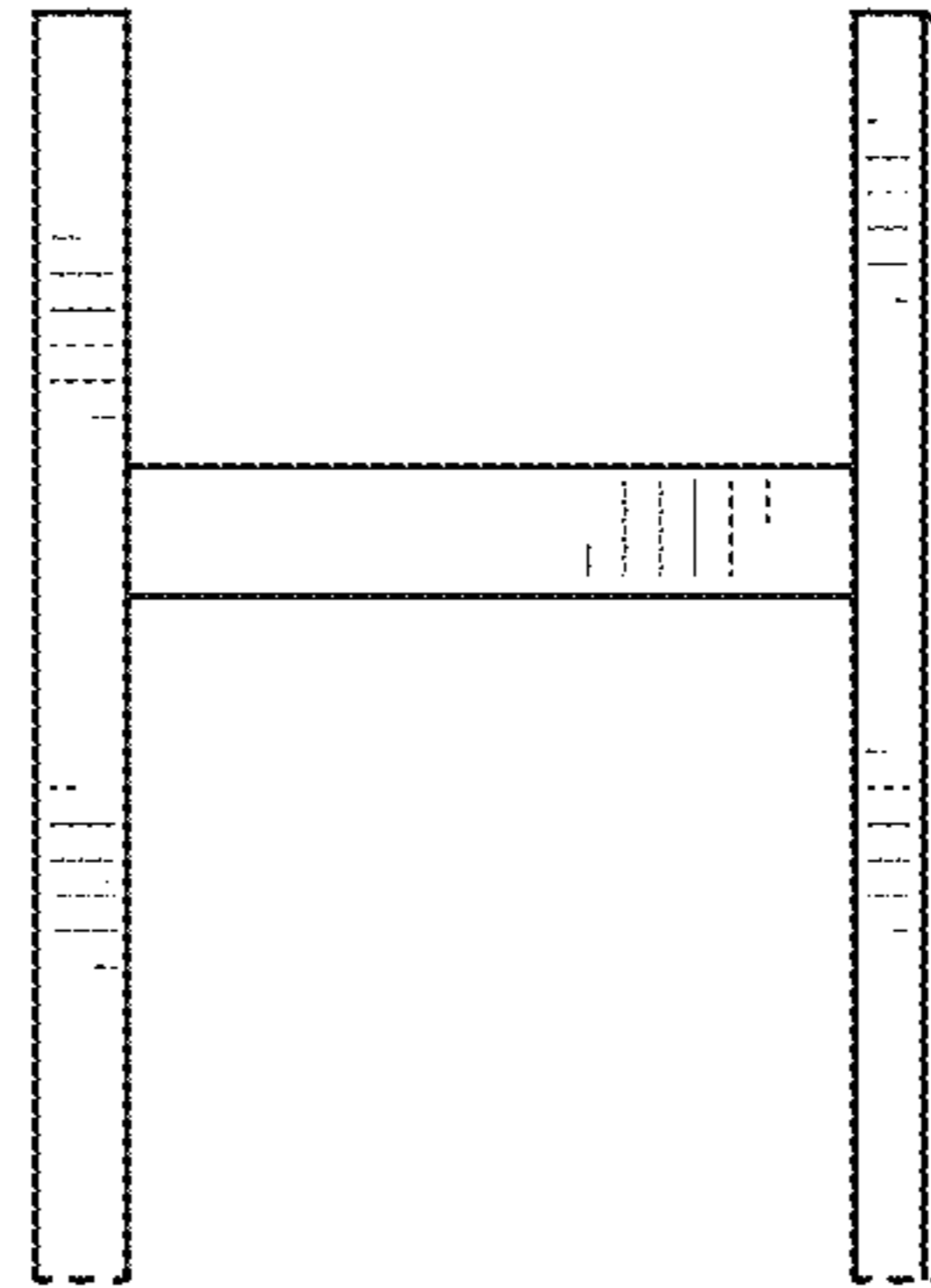
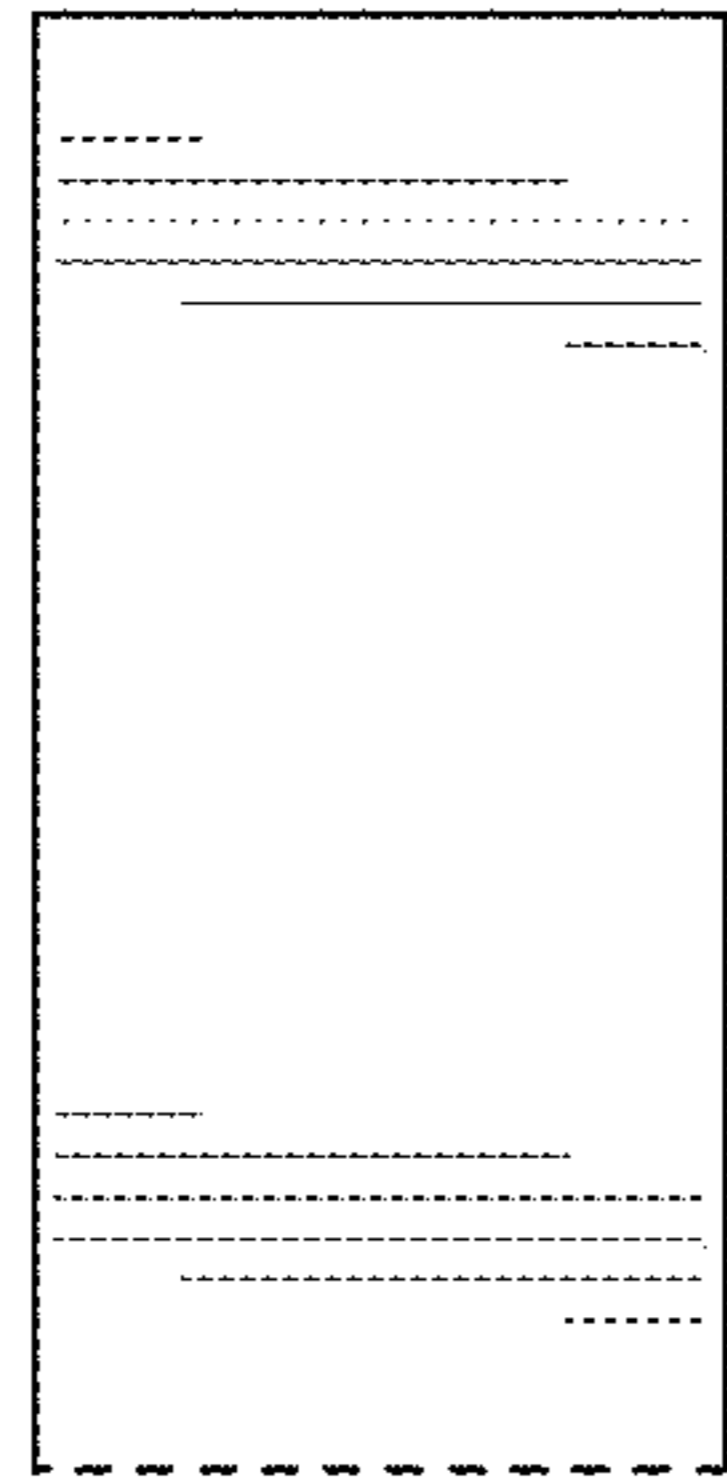
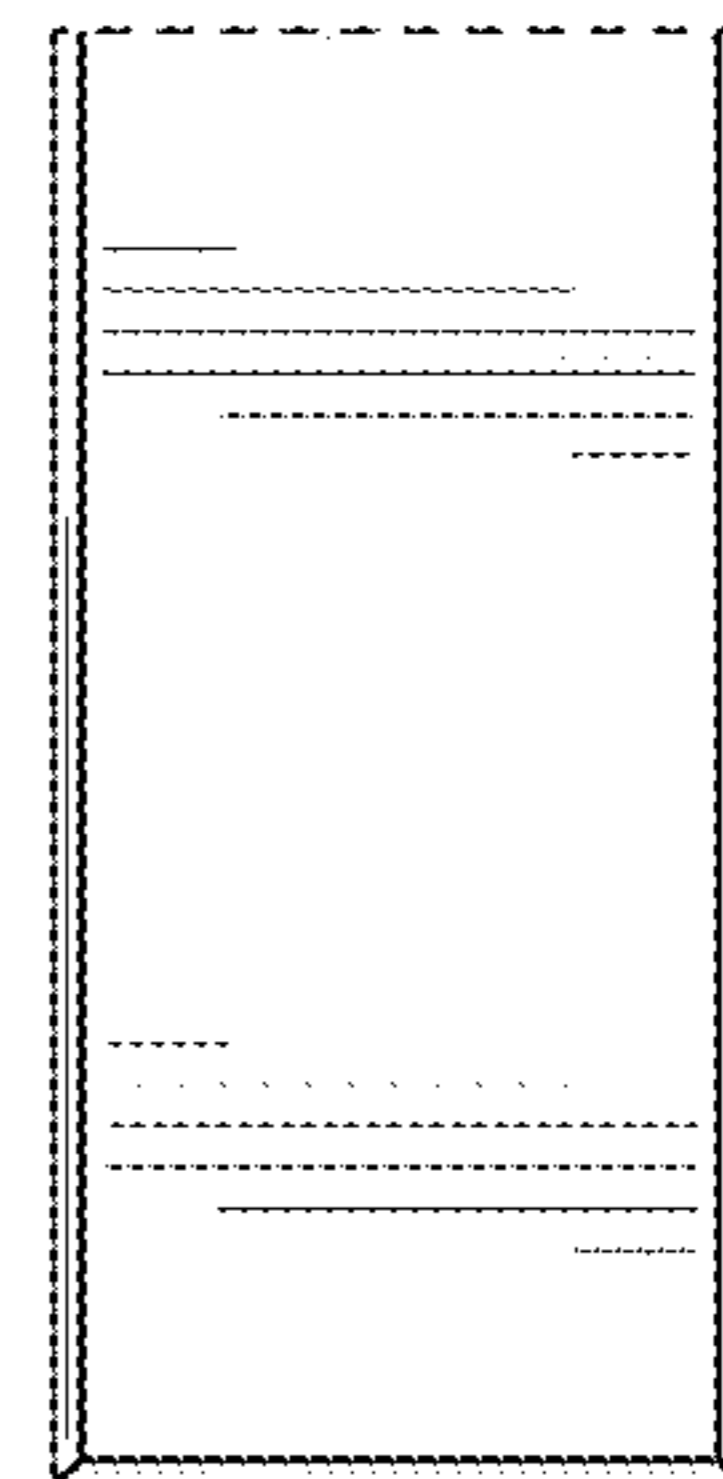
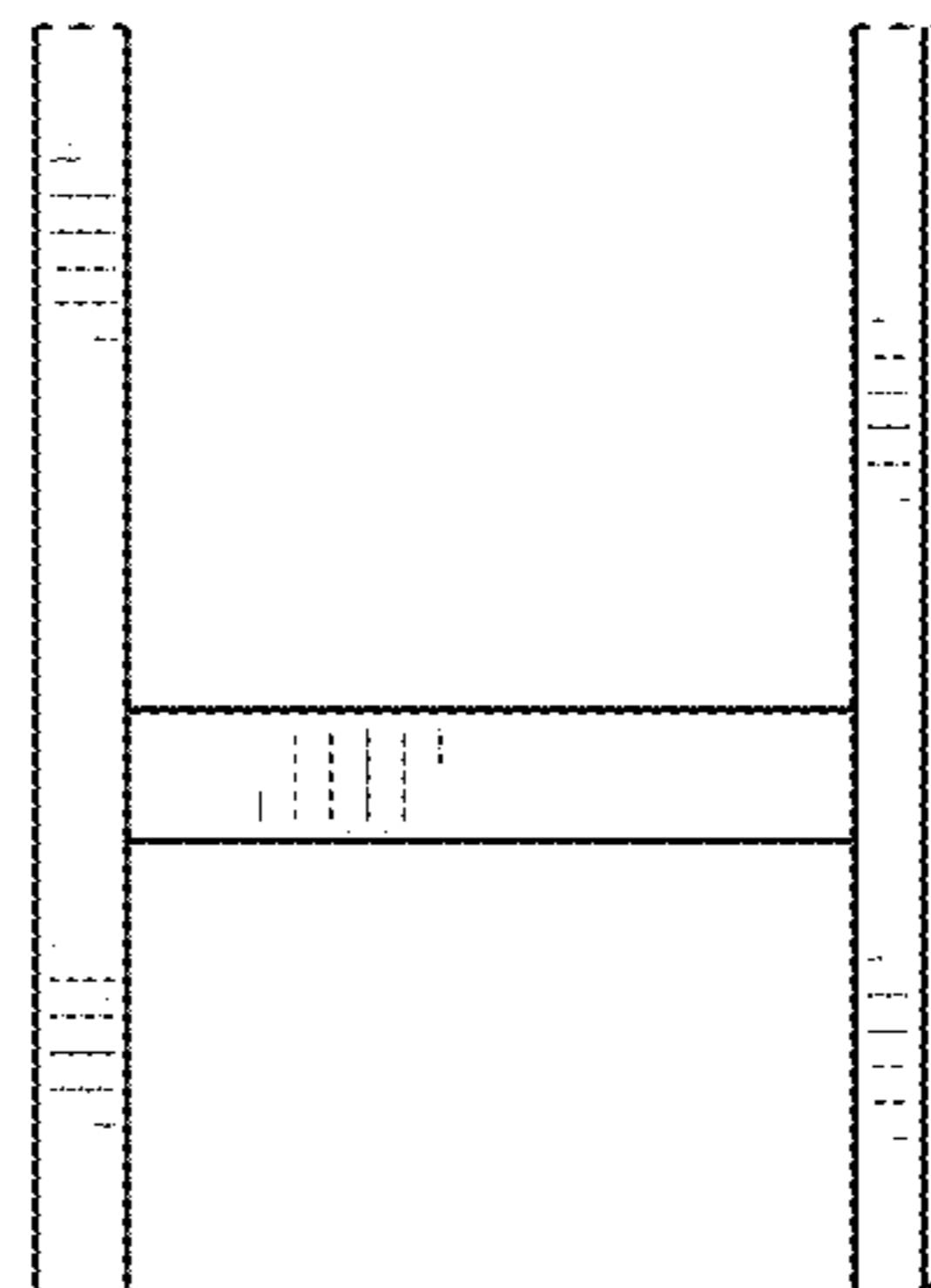
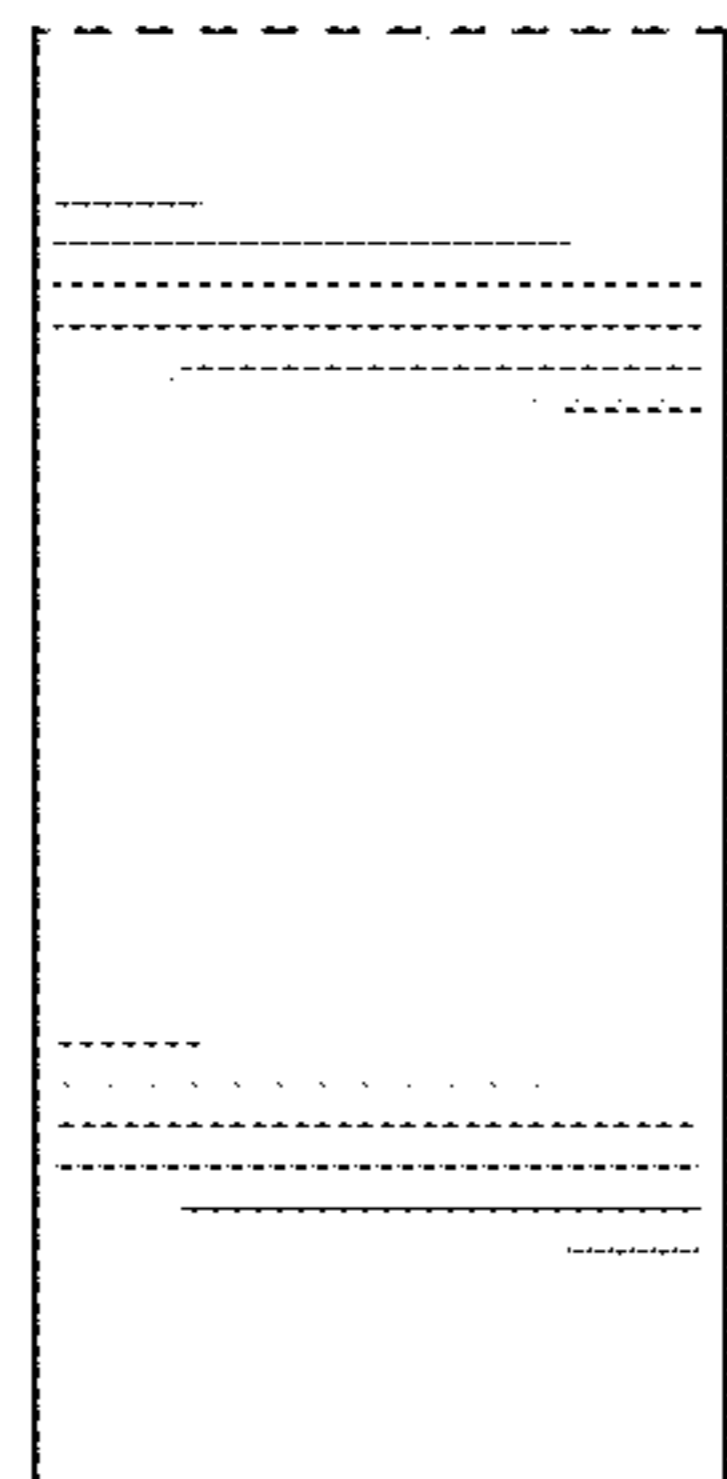


FIG. 3

FIG. 4

FIG. 5



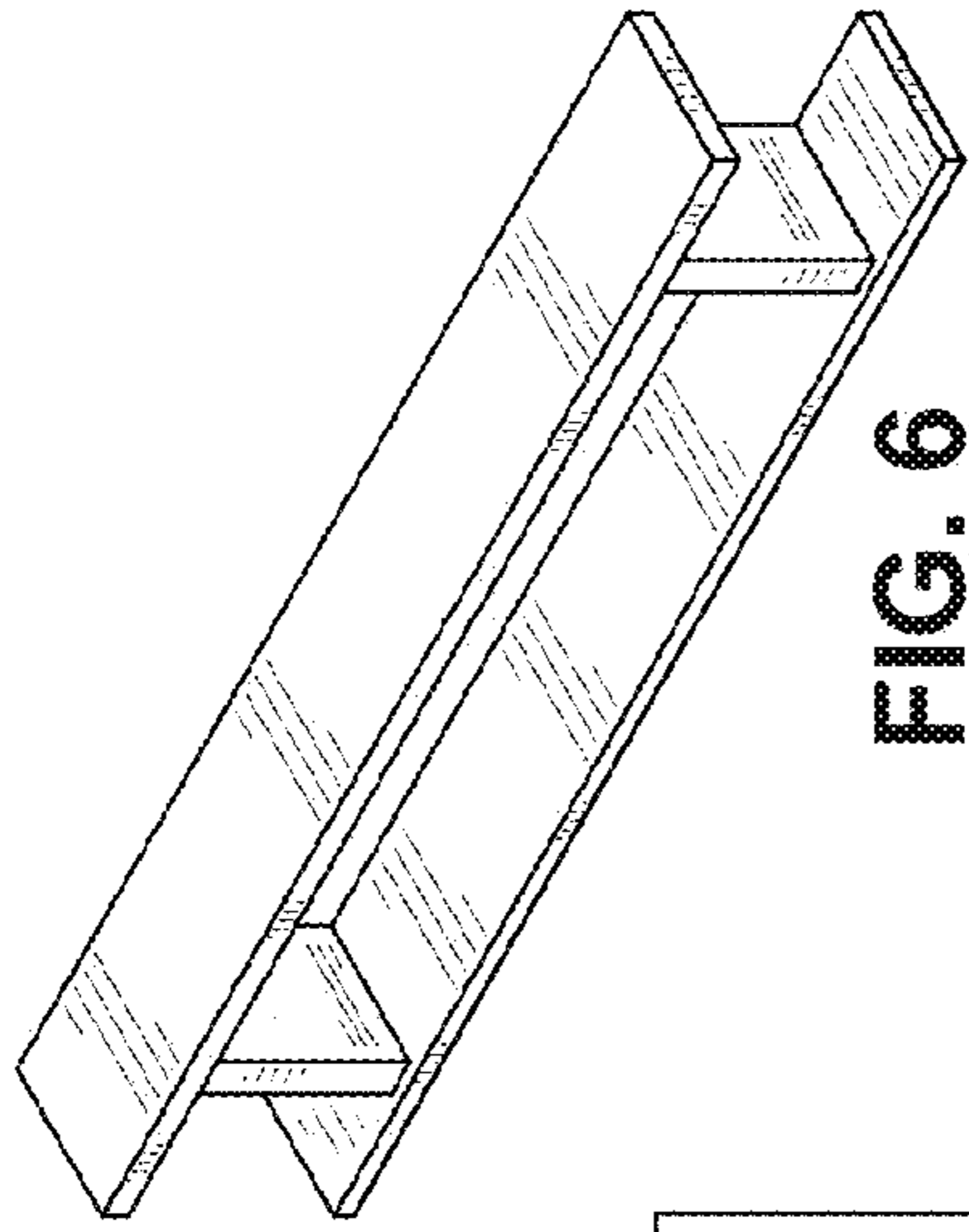


FIG. 6

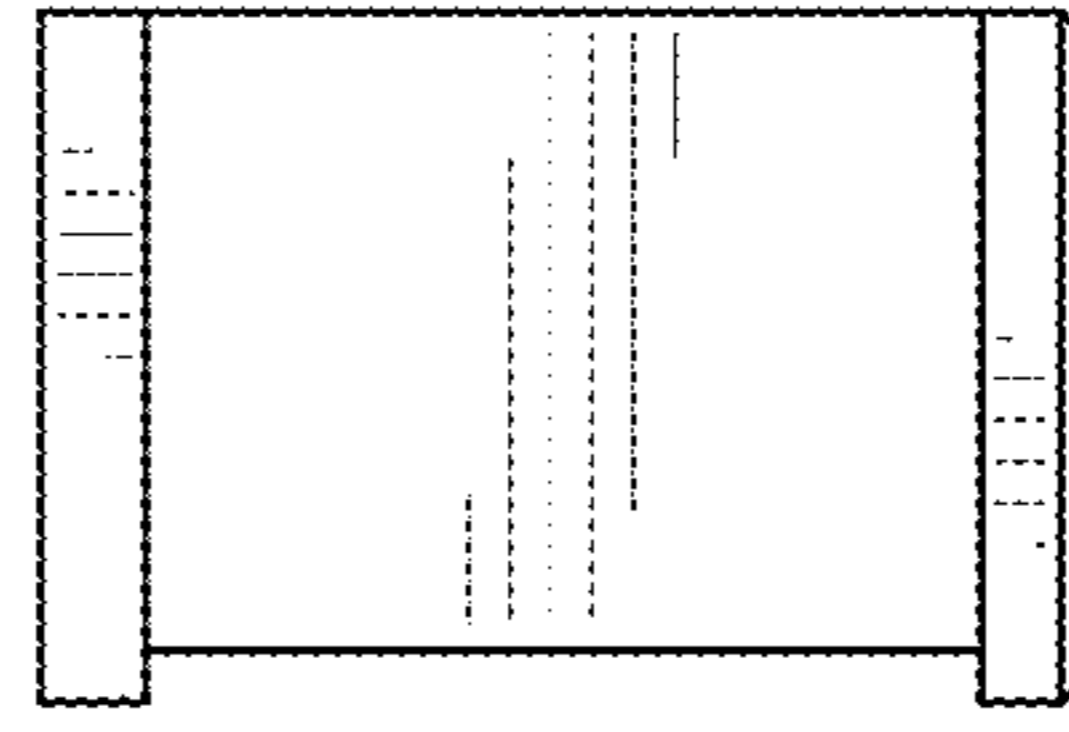


FIG. 7

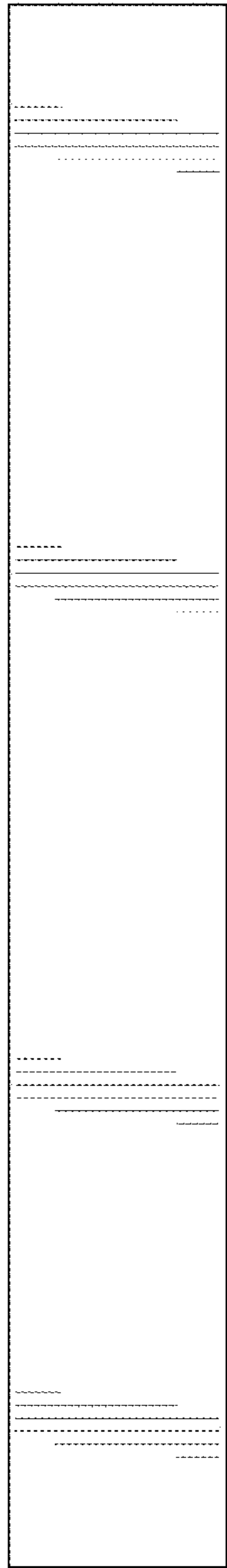


FIG. 8

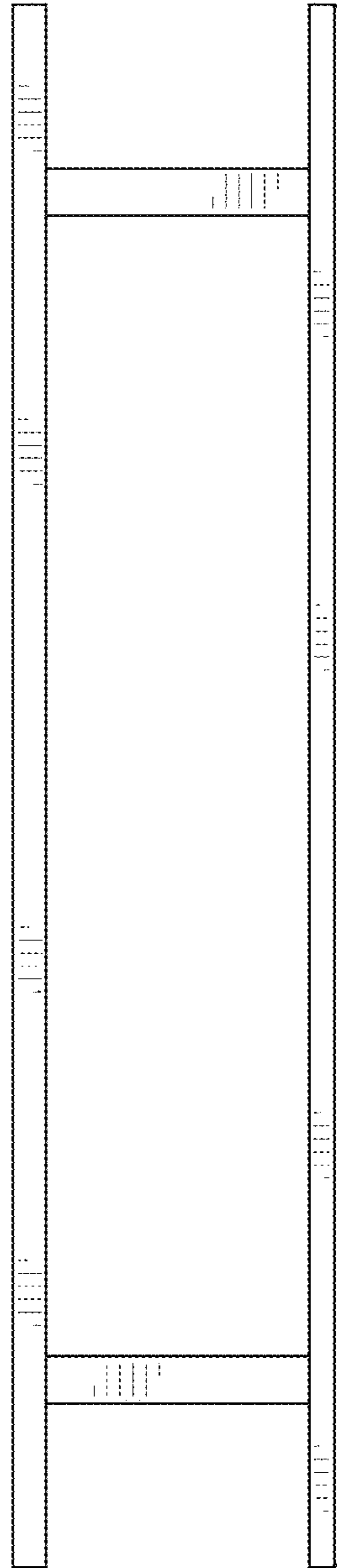


FIG. 9

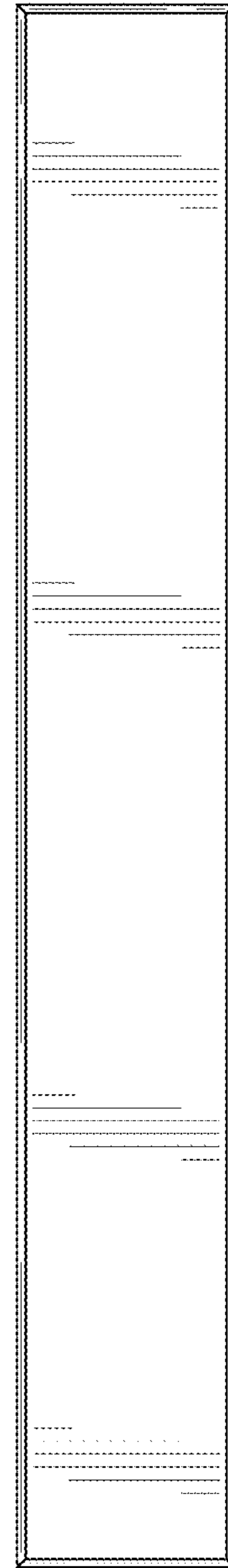


FIG. 10

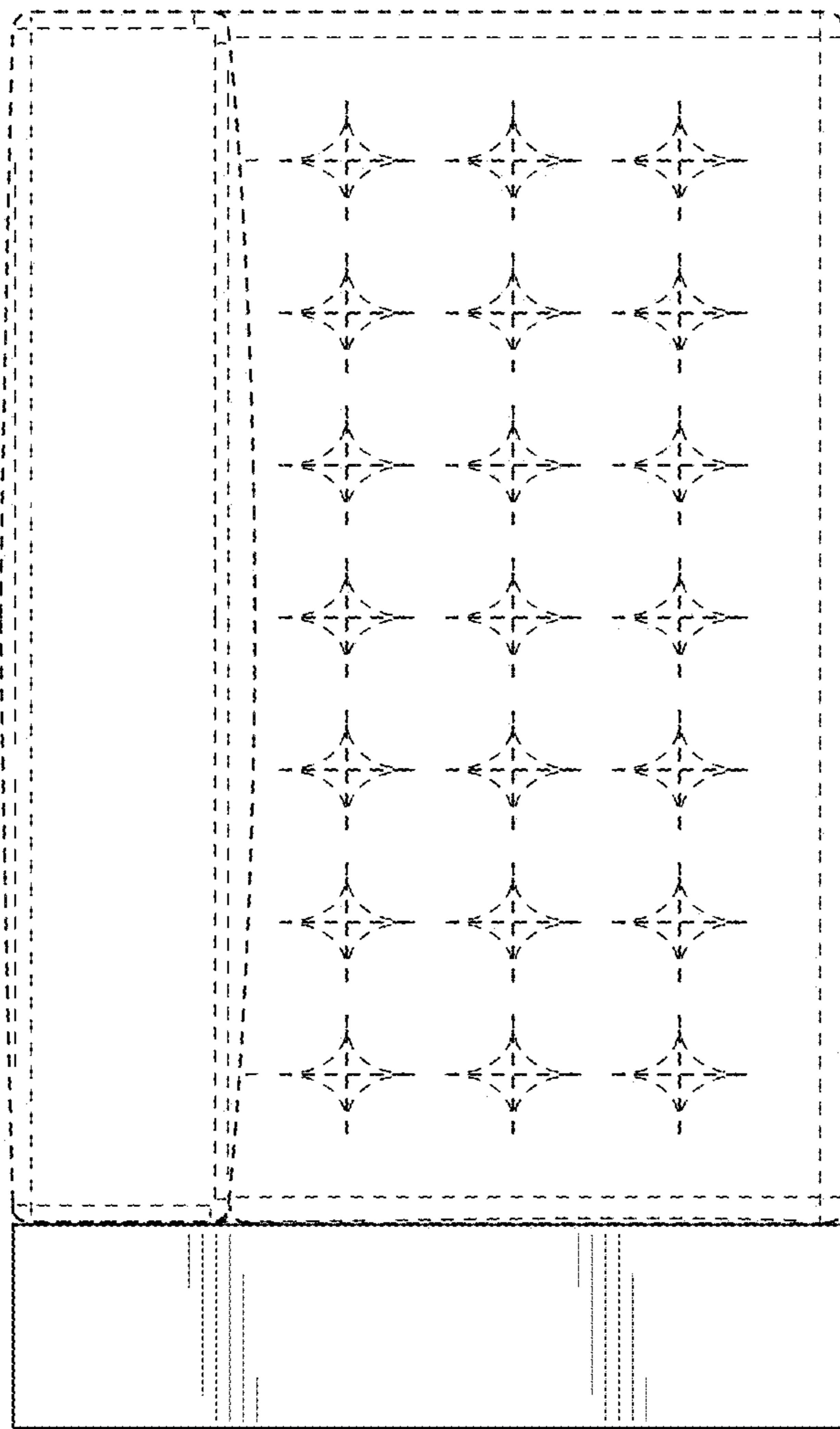


FIG. 11

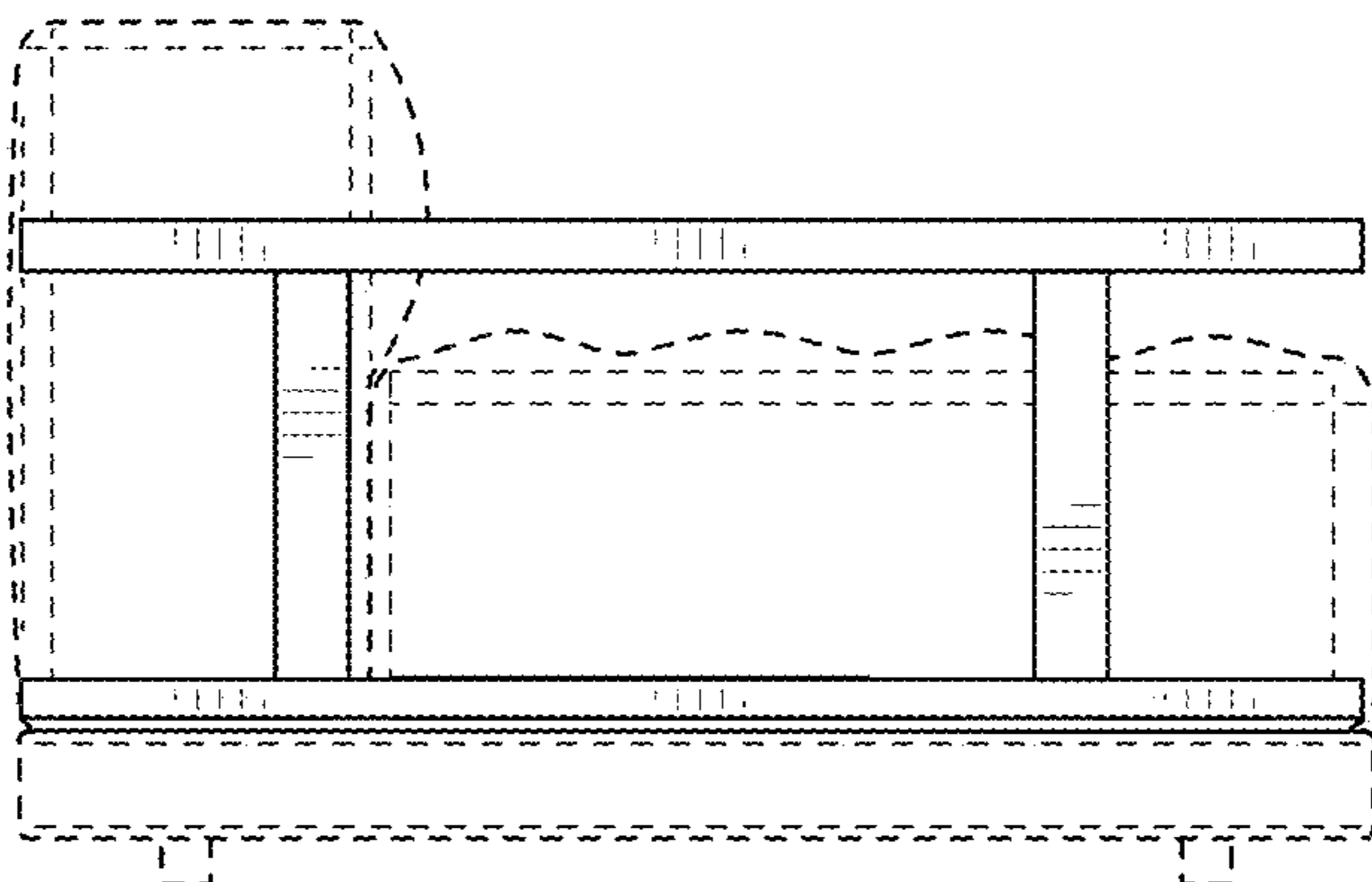


FIG. 12

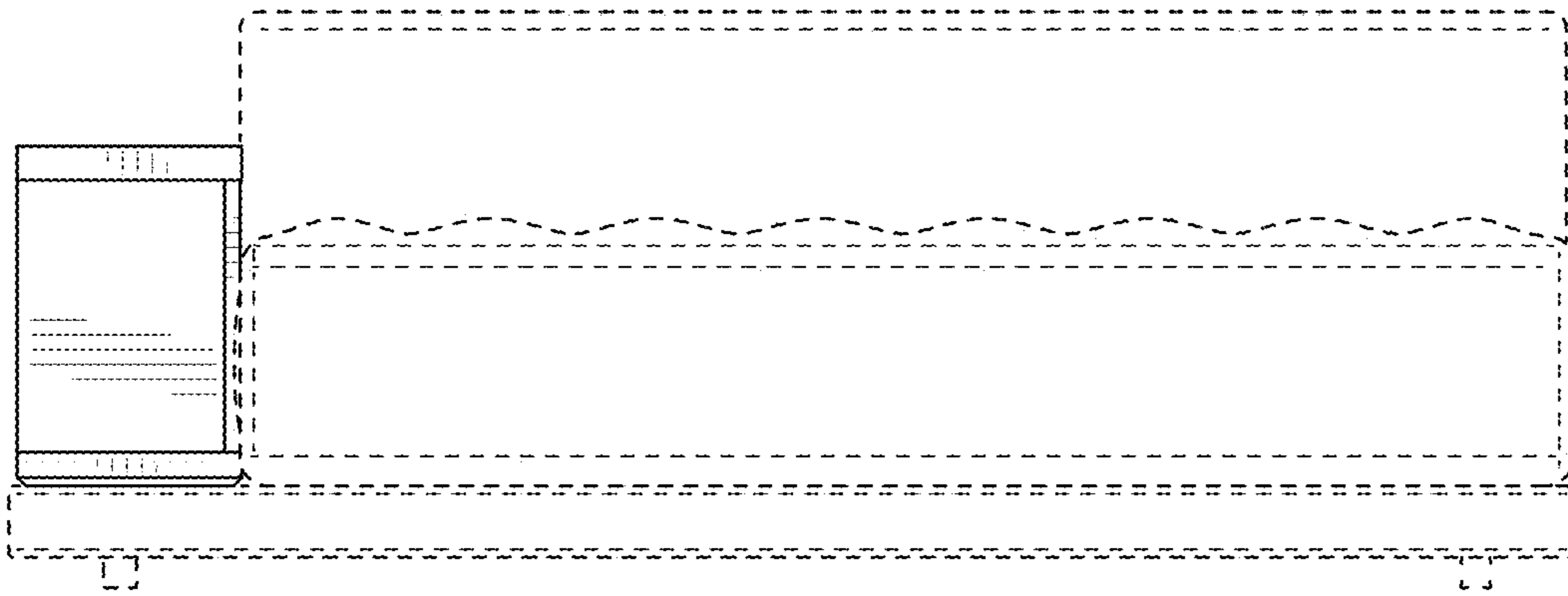


FIG. 13

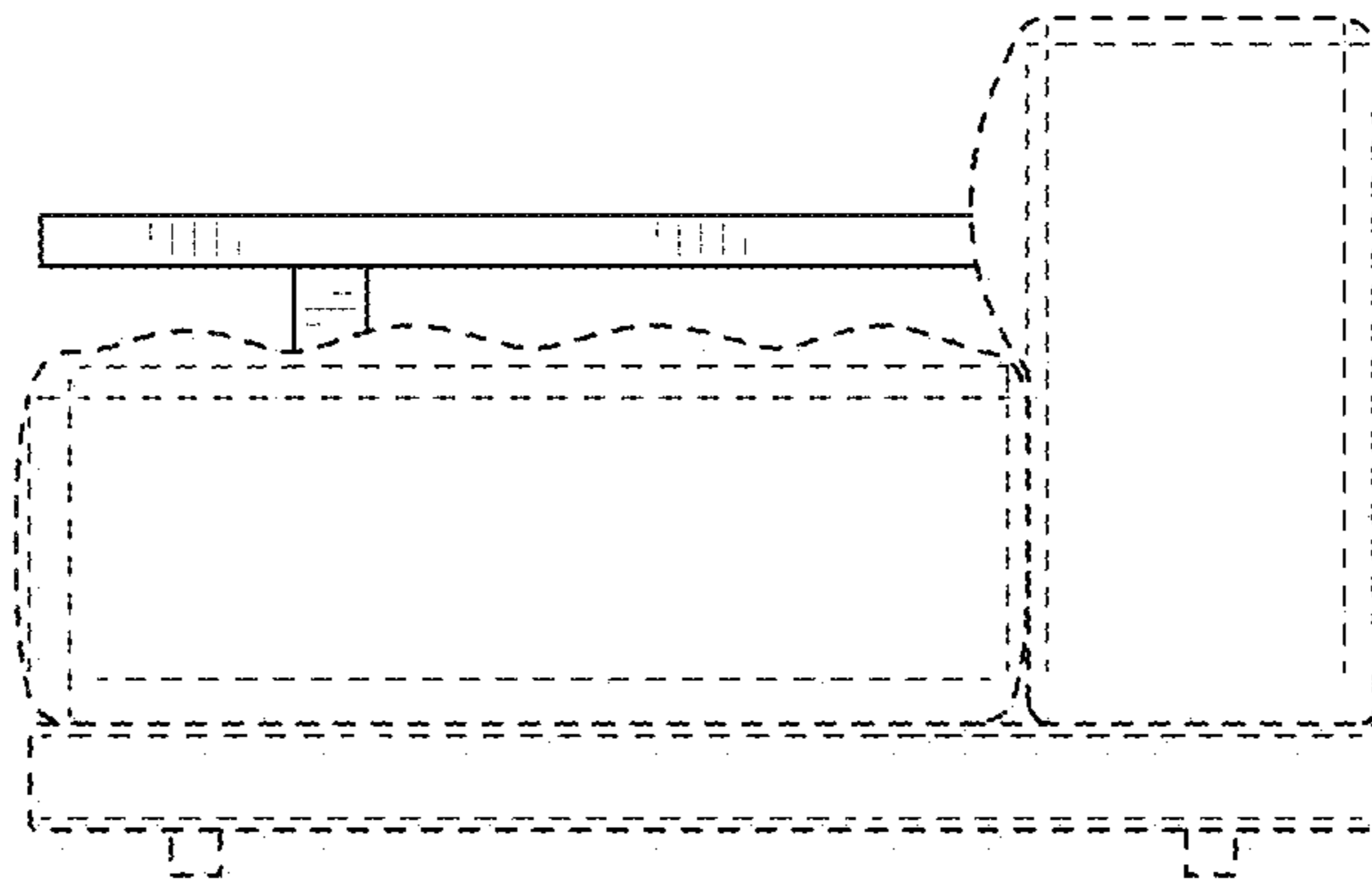


FIG. 14

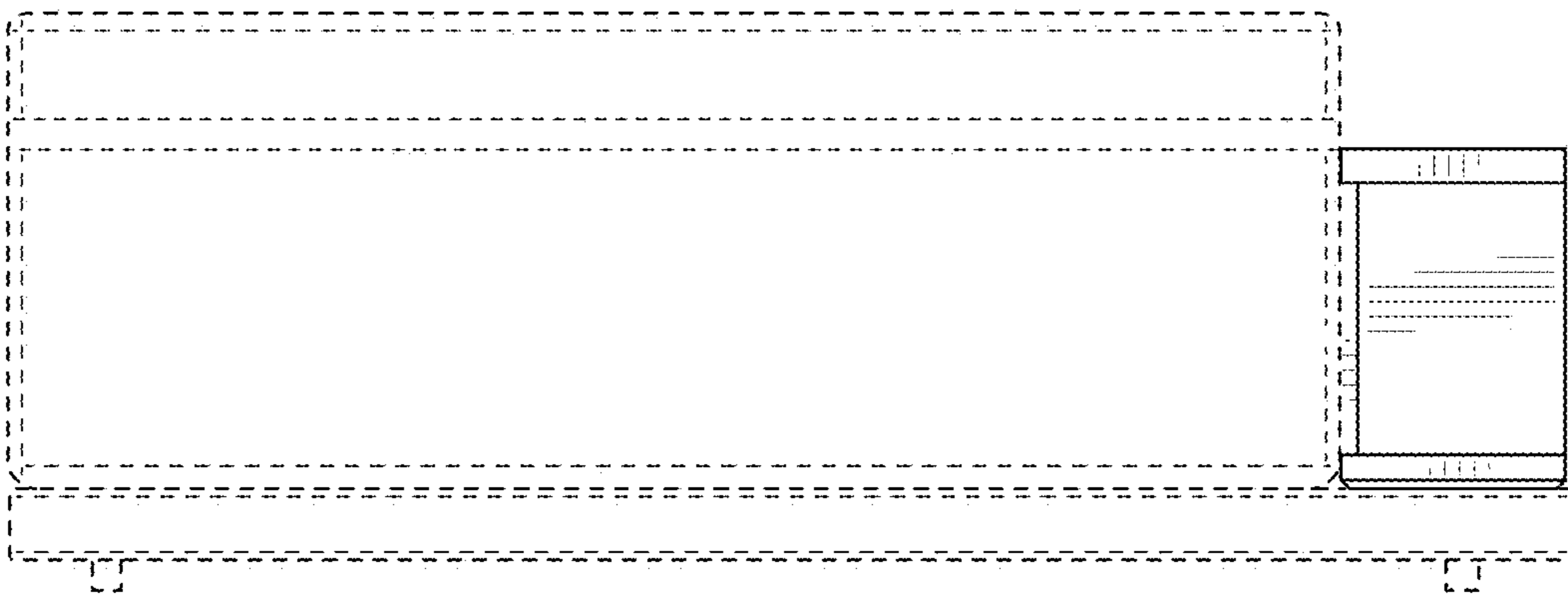


FIG. 15

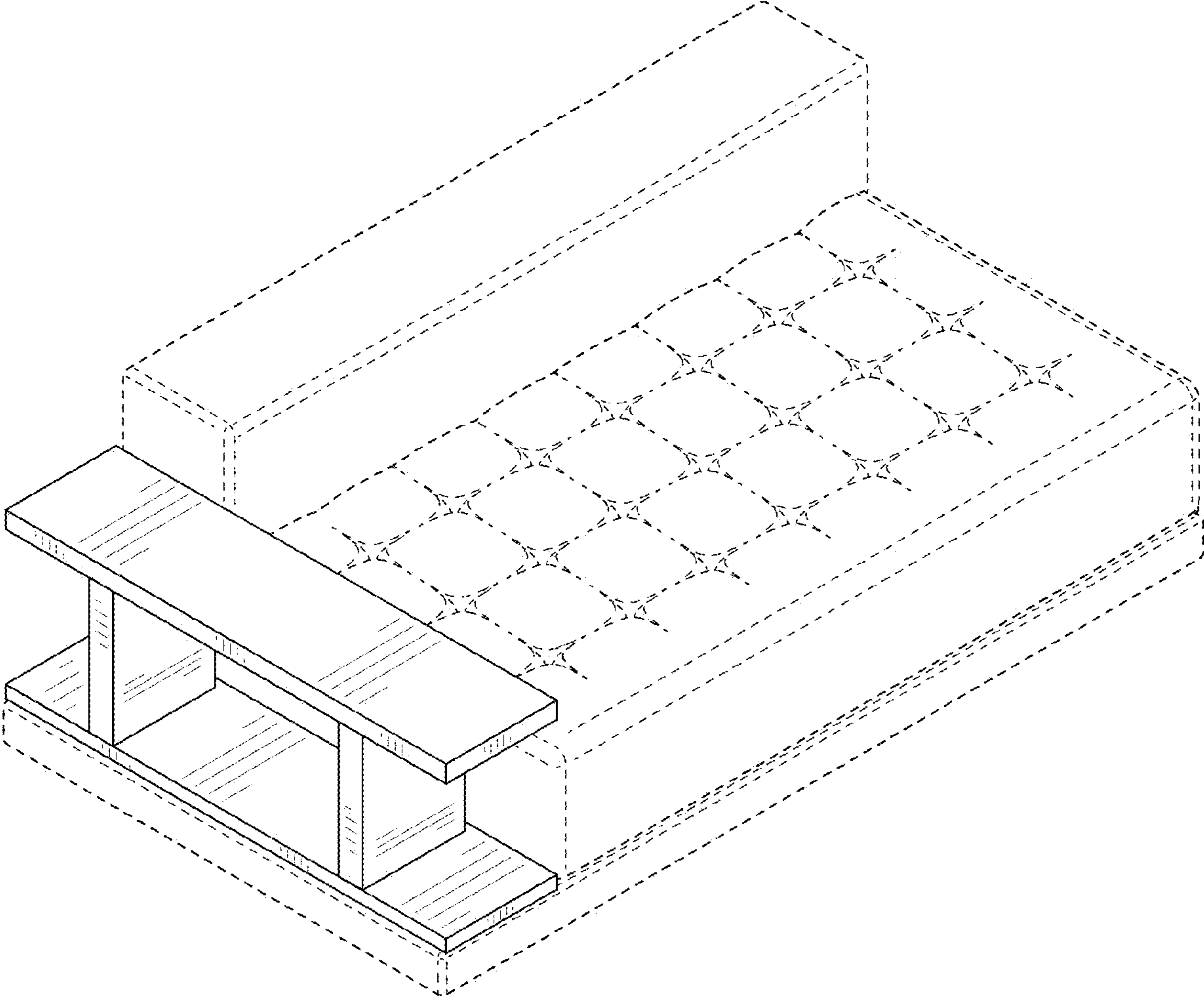


FIG. 16