



US00D911075S

(12) **United States Design Patent** (10) **Patent No.:** **US D911,075 S**
Hu (45) **Date of Patent:** **** Feb. 23, 2021**

(54) **GAMING DESK**
(71) Applicant: **Yajun Hu**, El Dorado Hills, CA (US)
(72) Inventor: **Yajun Hu**, El Dorado Hills, CA (US)
(73) Assignees: **Yajun Hu**, El Dorado Hills, CA (US);
EUREKA LLC., El Dorado Hills, CA (US)
(**) Term: **15 Years**
(21) Appl. No.: **29/729,650**
(22) Filed: **Mar. 29, 2020**
(51) **LOC (13) Cl.** **06-03**
(52) **U.S. Cl.**
USPC **D6/656.16**
(58) **Field of Classification Search**
USPC D6/640, 641, 642, 643, 643.1, 644, 645,
D6/648, 648.1, 648.3, 648.4, 649, 650,
D6/651, 652, 654, 654.1, 655, 655.1,
D6/655.11, 655.12, 655.13, 655.14,
D6/655.15, 655.16, 656, 656.1, 656.11,
D6/656.16, 656.17, 656.18, 656.19, 668,
D6/685, 688.11, 688.21, 688.27, 690,
D6/695, 698, 691, 691.6, 696.1, 700, 707,
D6/707.19, 707.24, 707.26, 708.2, 708.21,
D6/708.23, 709.22
CPC A47B 9/00; A47B 9/04; A47B 9/06; A47B
3/08; A47B 21/00; A47B 21/02; A47B
21/06; A47B 21/007; A47B 21/0314;
A47B 2009/185; A47B 2200/0013; A47B
2200/0026; A47B 2200/0085; A47B
2200/0087
See application file for complete search history.

(56) **References Cited**

U.S. PATENT DOCUMENTS

D325,833 S * 5/1992 Saotome D6/656.16
D449,470 S * 10/2001 Morrow D6/656.18

D478,225 S 8/2003 Wang
D499,273 S 12/2004 Chang
D499,576 S 12/2004 Long
D526,812 S 8/2006 Chen
D547,970 S 8/2007 Chou
D549,009 S 8/2007 Lin
D552,885 S * 10/2007 Saotome D6/656
D671,339 S * 11/2012 Nakamura D6/691
9,591,919 B2 3/2017 Ergun et al.
9,635,932 B2 5/2017 Kelley et al.
D819,371 S * 6/2018 Cao D6/656.16
D861,381 S * 10/2019 Hu D6/656.11
D861,383 S * 10/2019 Hu D6/656.17
D862,128 S * 10/2019 Hu D6/656.11
D865,405 S * 11/2019 Hu D6/656.16
D875,441 S * 2/2020 Duan D6/655.18

(Continued)

OTHER PUBLICATIONS

Eureka Ergonomic Z1-S Gaming Desk, posted at amazon.com, posted on Jun. 21, 2018, site visited May 14, 2020. online, available from internet: <https://www.amazon.com/Eureka-Ergonomic-Z1-S-Gaming-Desk/dp/B07DC3321Q> (Year: 2018).*

Primary Examiner — Mary Ann Calabrese
Assistant Examiner — Catherine Ho

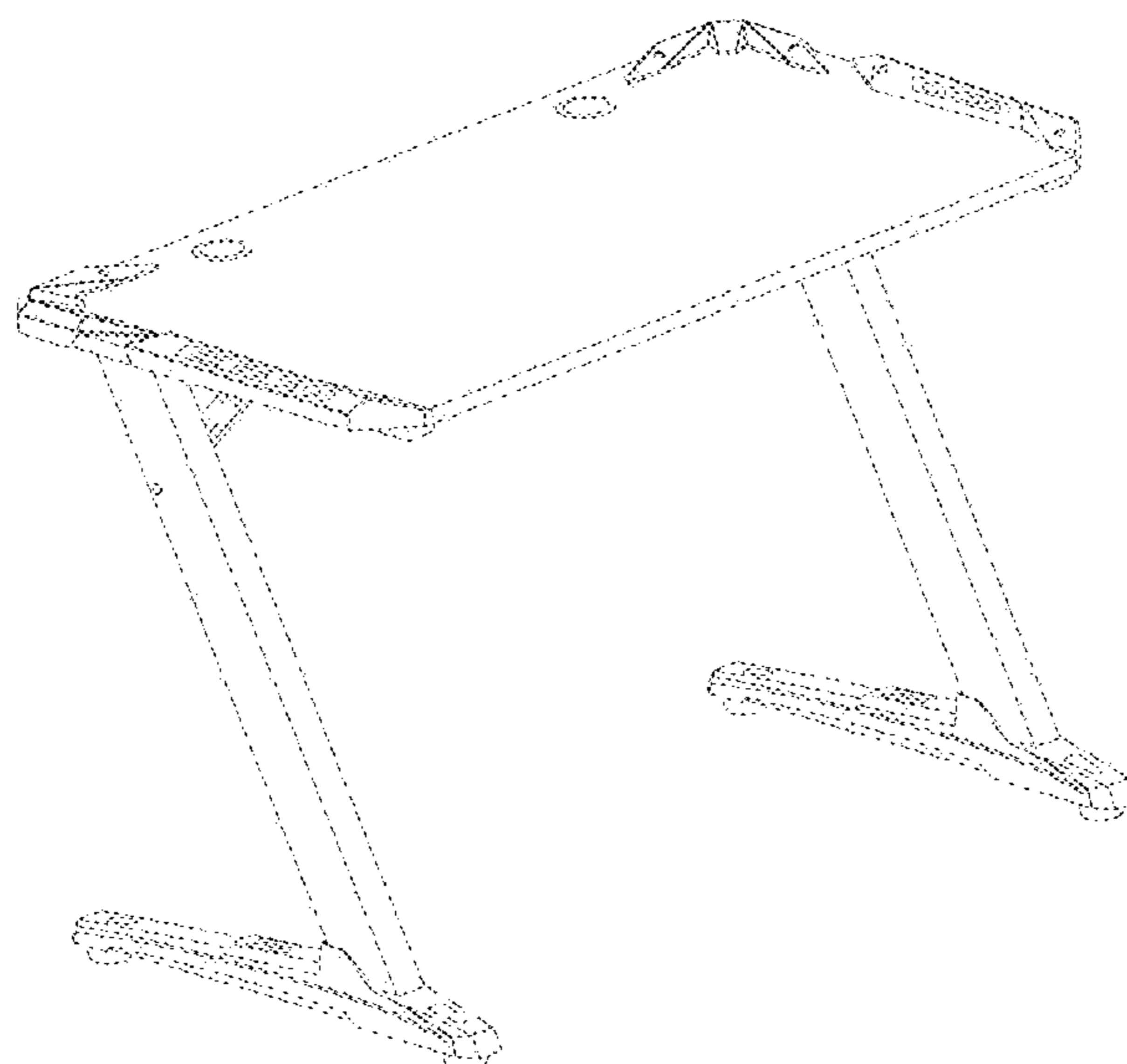
(57) **CLAIM**

I claim the ornamental design for gaming desk, as shown and described.

DESCRIPTION

FIG. 1 is a perspective view of a gaming desk, showing my new design;
FIG. 2 is a front elevation view thereof;
FIG. 3 is a bottom plan view thereof;
FIG. 4 is a top plan view thereof;
FIG. 5 is a rear elevation view thereof;
FIG. 6 is a left side view thereof; and,
FIG. 7 is a right side view thereof.

1 Claim, 7 Drawing Sheets



(56)

References Cited

U.S. PATENT DOCUMENTS

D878,815 S * 3/2020 Peng D6/656
D882,988 S * 5/2020 Hu D6/656.17
2018/0206630 A1* 7/2018 Chang A47B 9/00

* cited by examiner

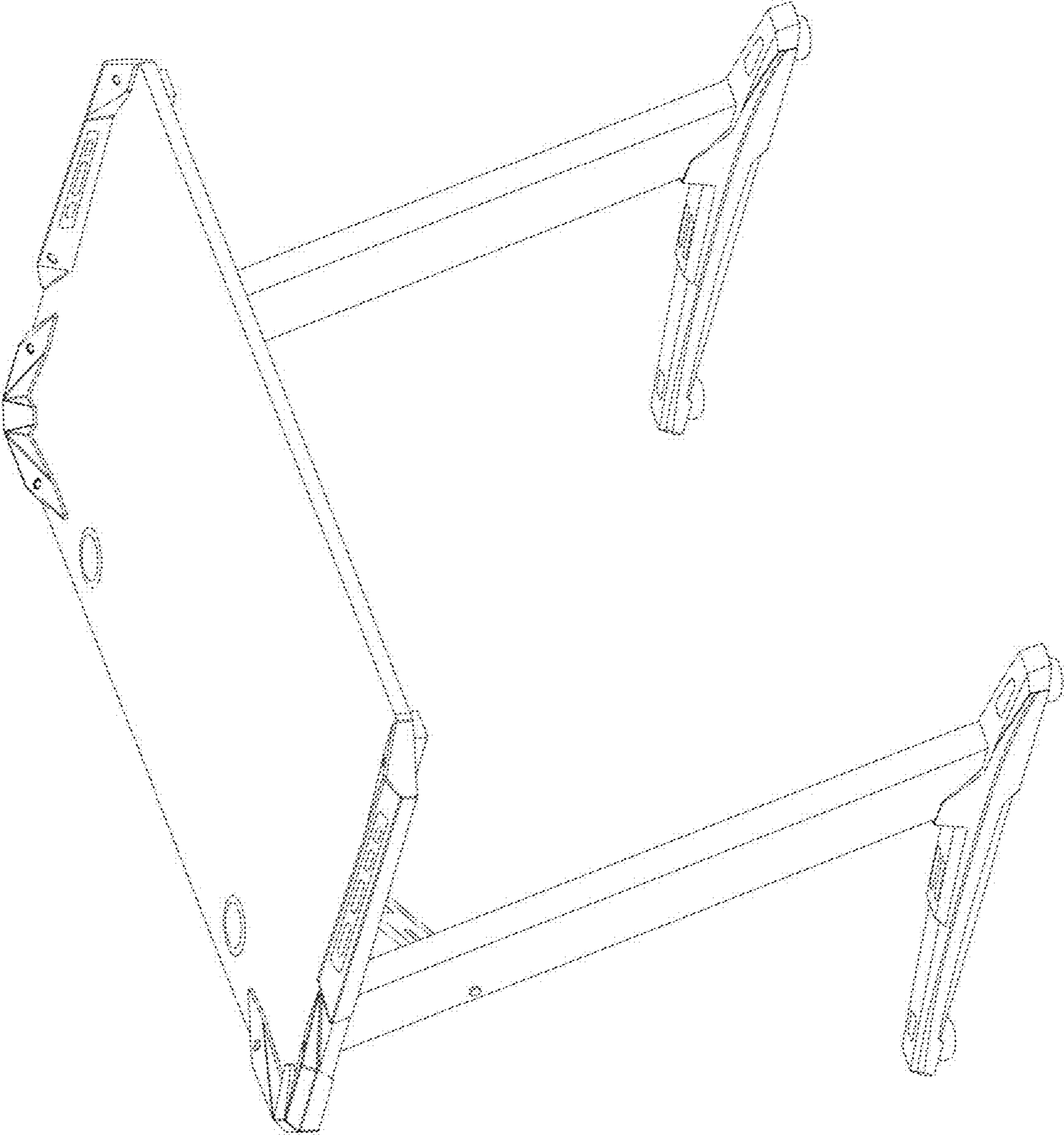


FIG.1

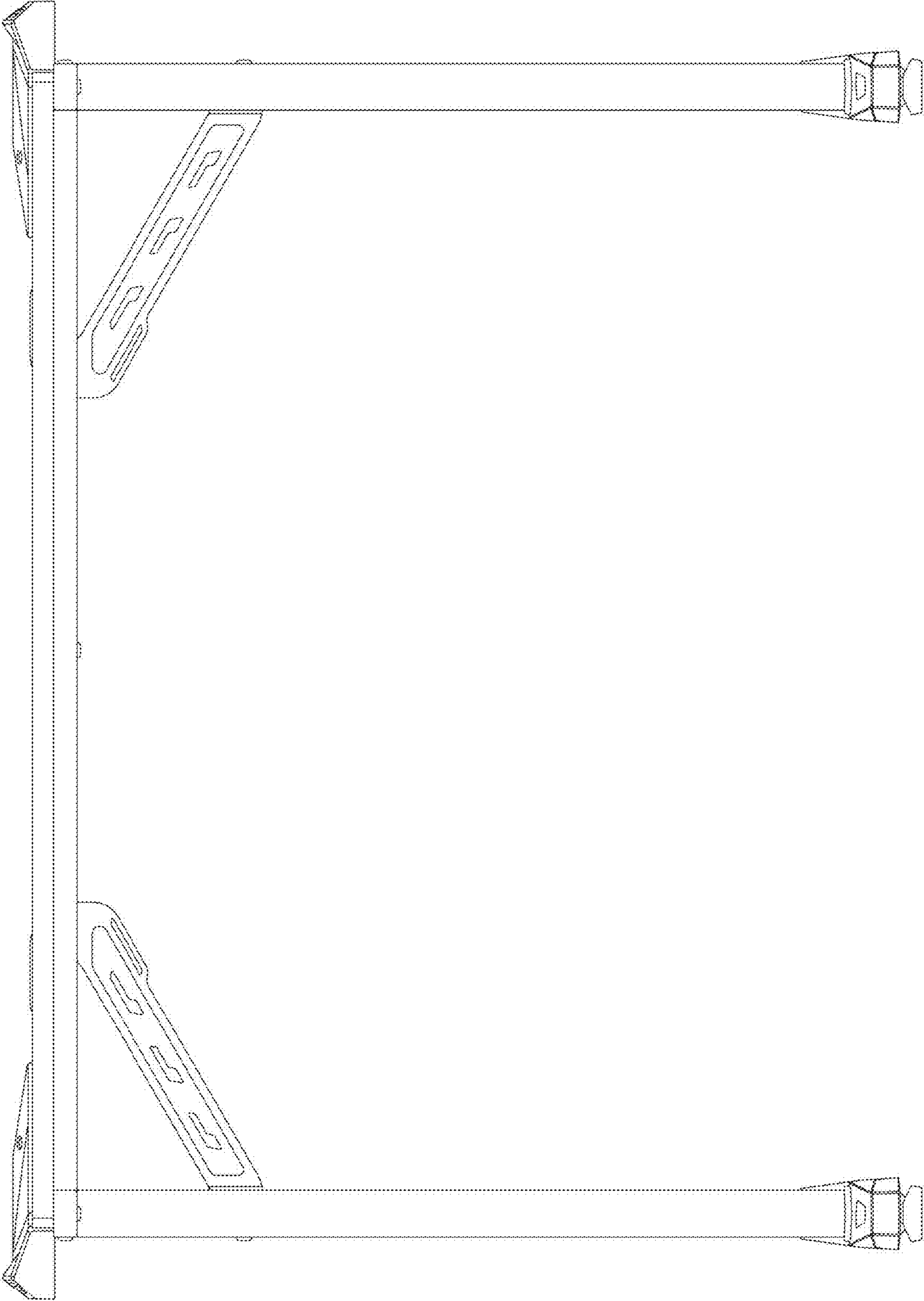


FIG.2

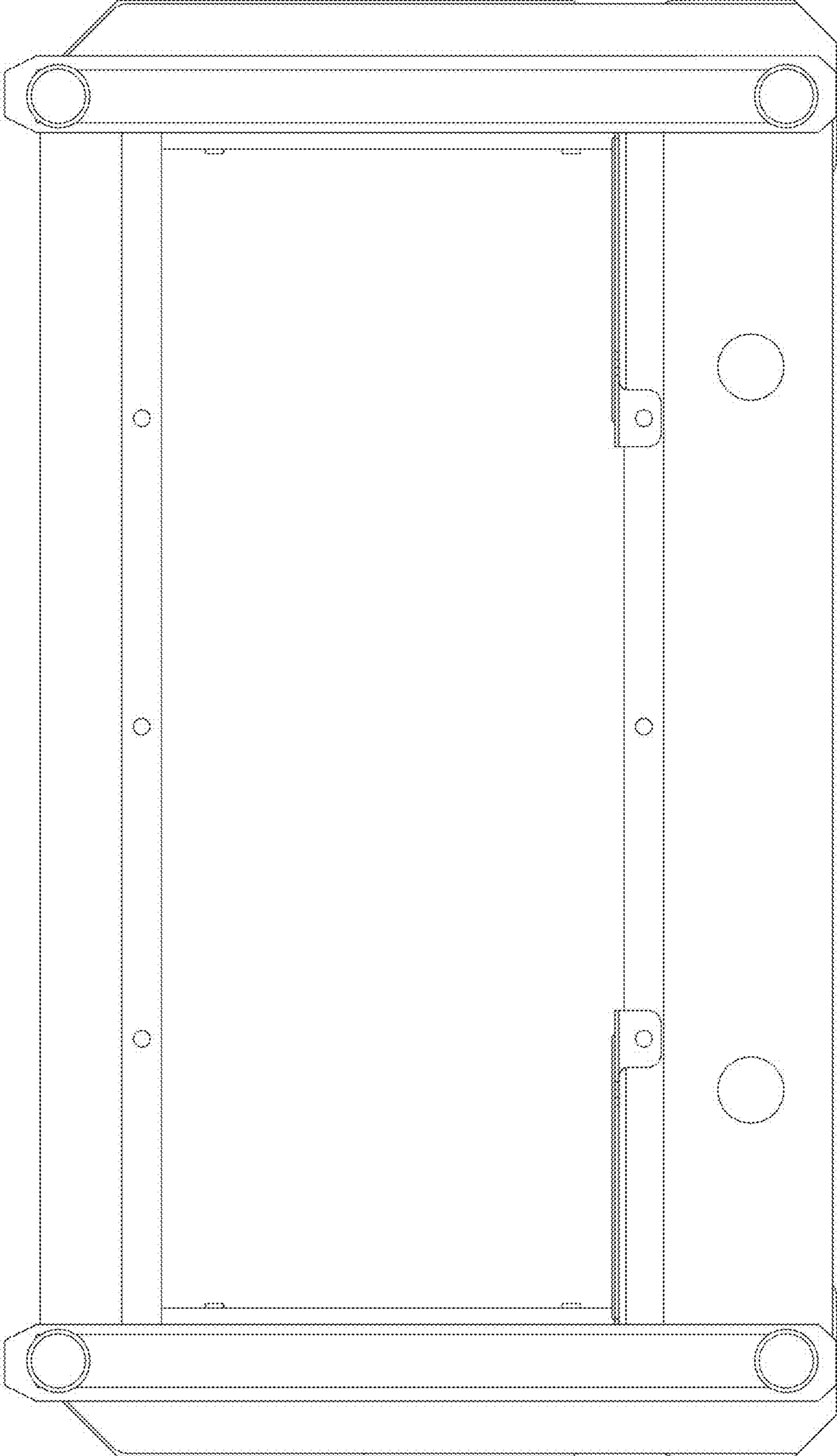


FIG.3

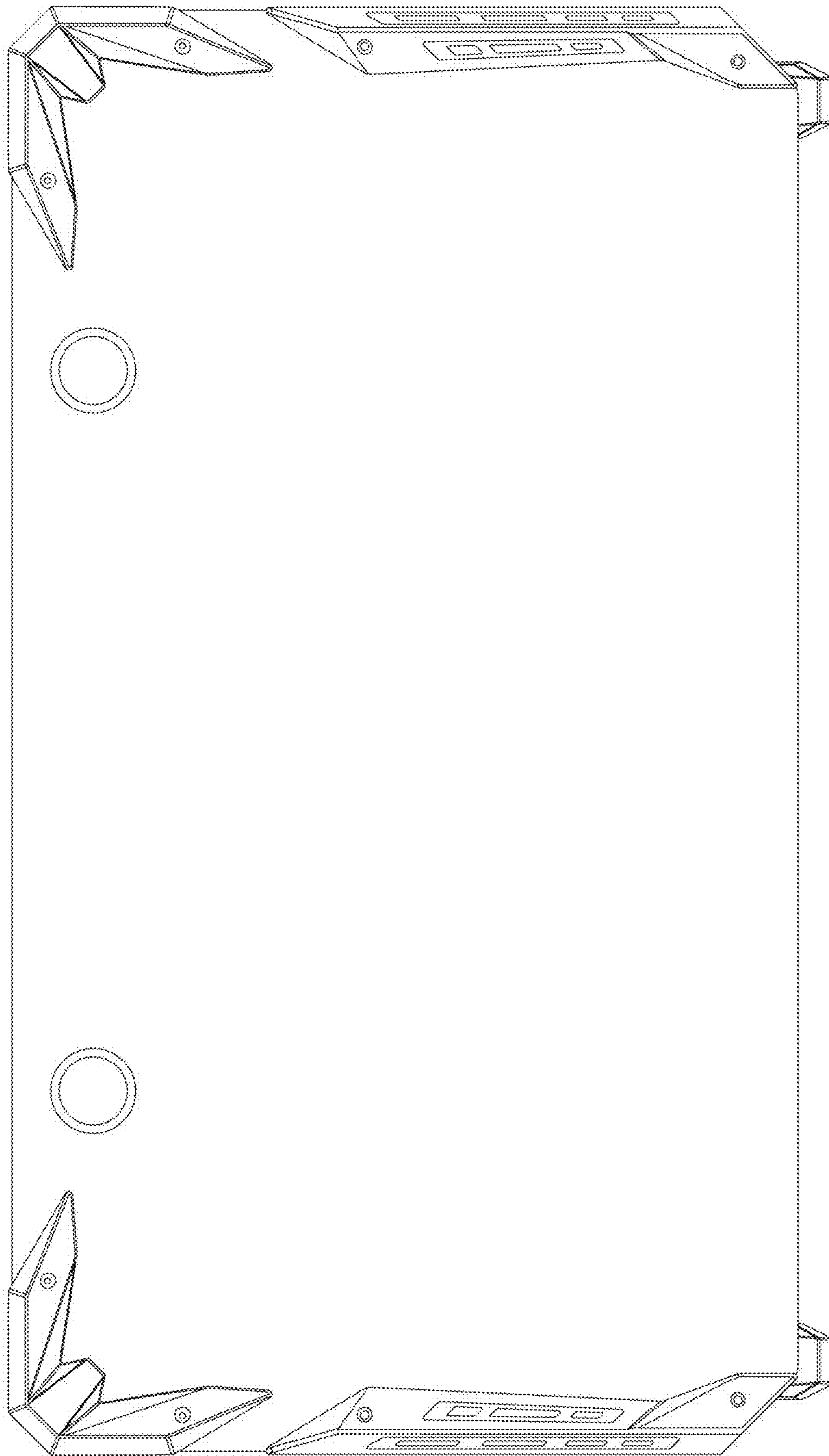


FIG.4

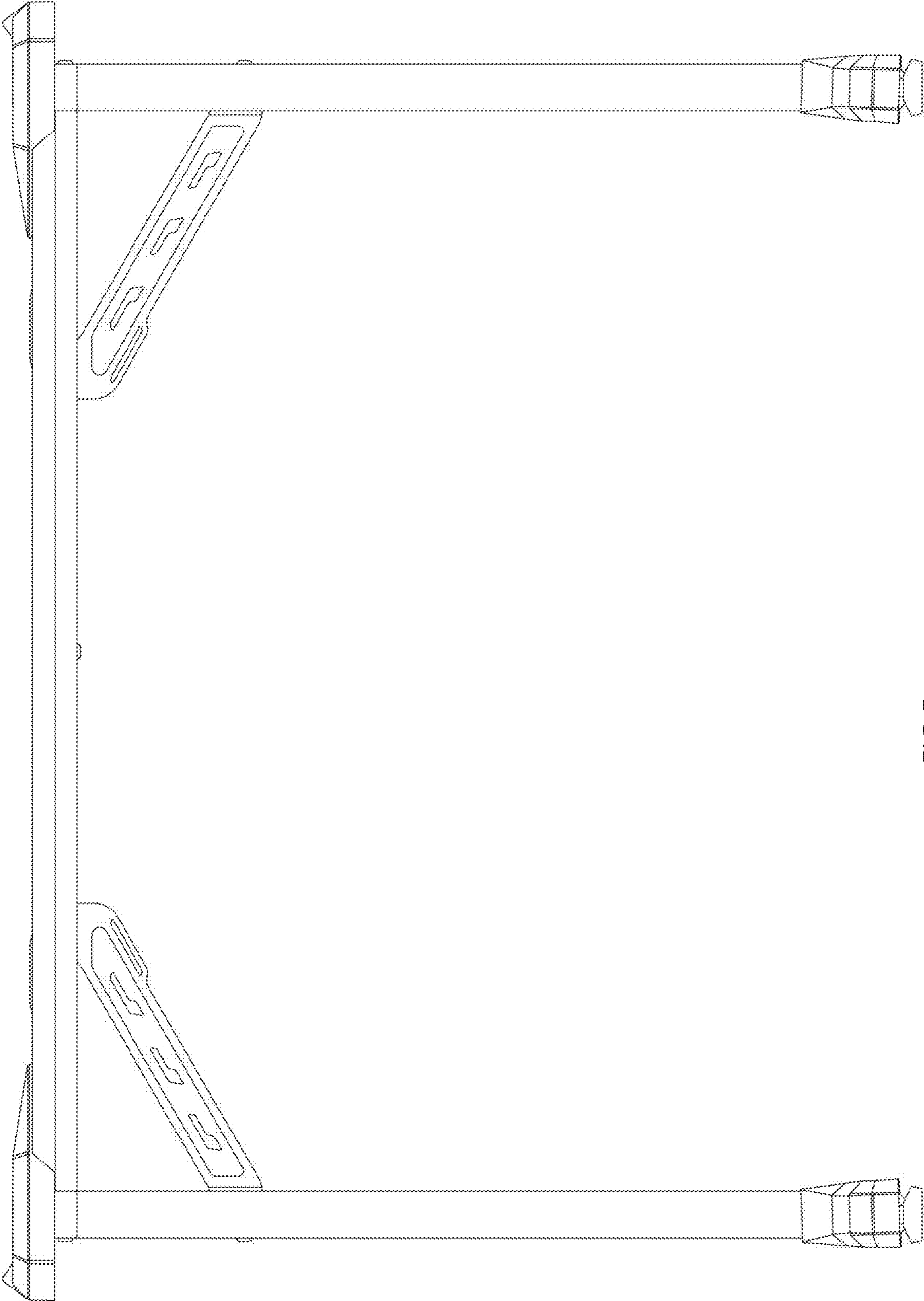


FIG.5

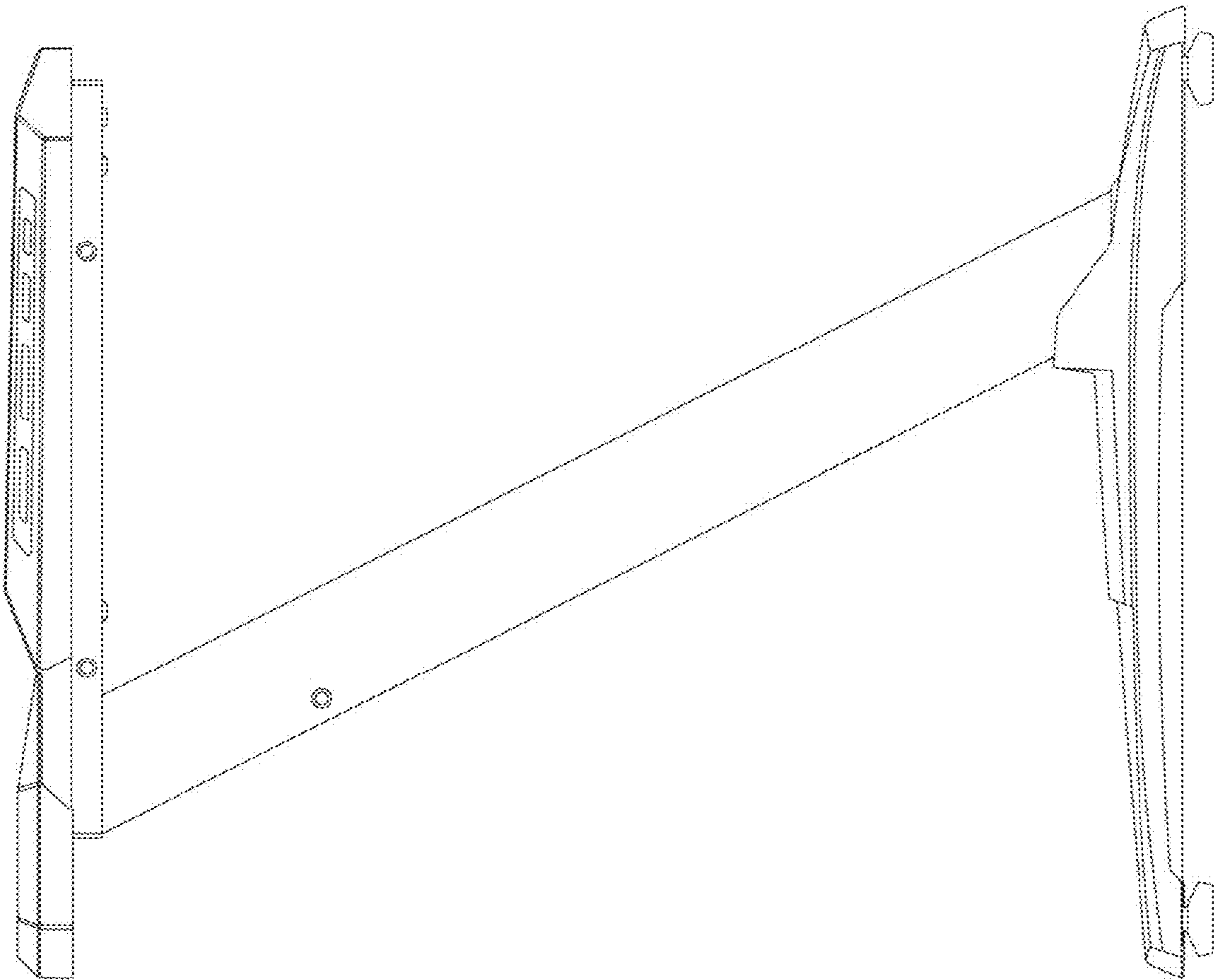


FIG.6

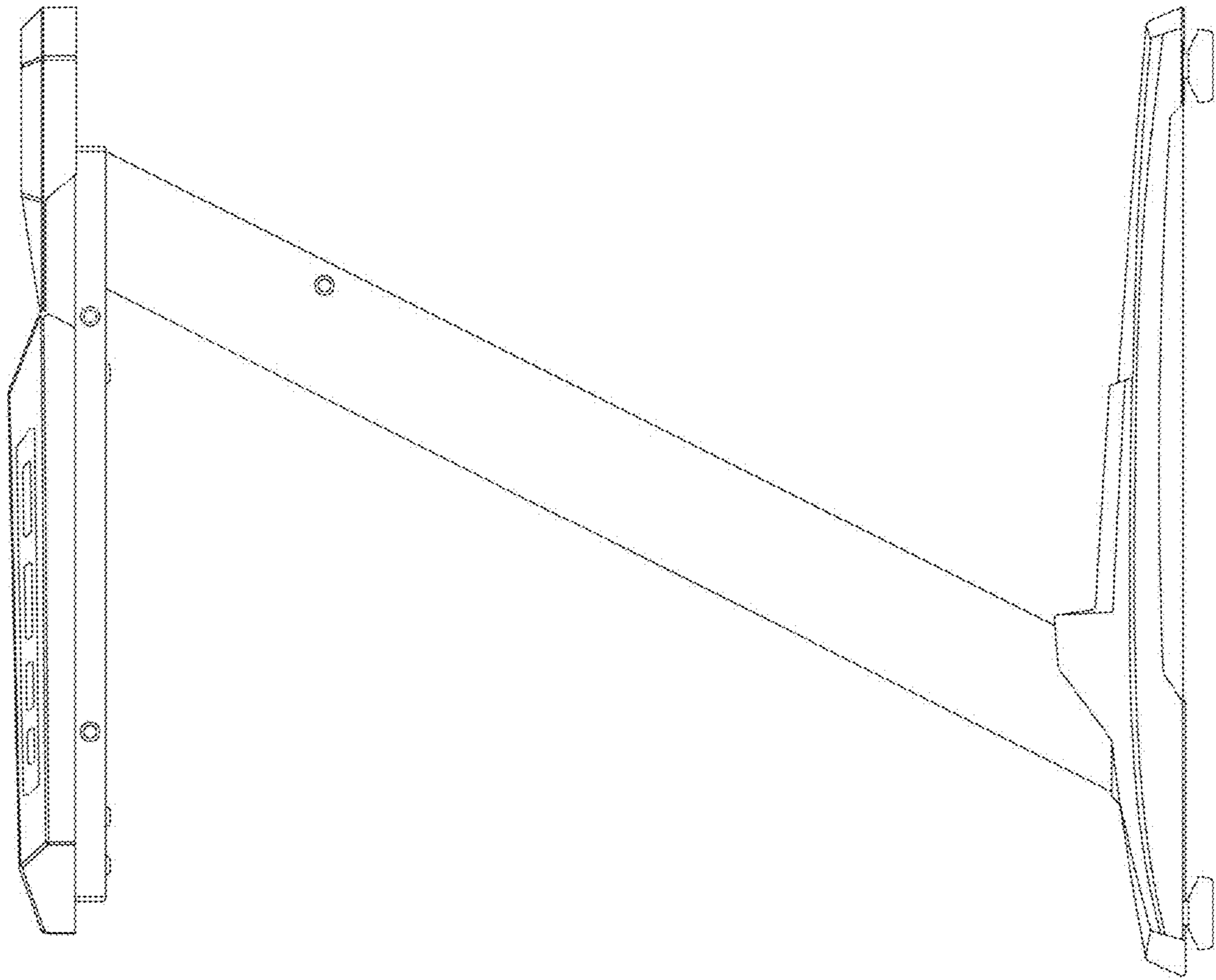


FIG. 7