



US00D911073S

(12) **United States Design Patent** (10) **Patent No.:** **US D911,073 S**  
**Shilts et al.** (45) **Date of Patent:** **\*\* \*Feb. 23, 2021**

(54) **BED LINEN DEVICE**

(71) Applicants: **Steven J Shilts**, San Diego, CA (US);  
**Brook Hjelm**, Ramona, CA (US)

(72) Inventors: **Steven J Shilts**, San Diego, CA (US);  
**Brook Hjelm**, Ramona, CA (US)

(\* ) Notice: This patent is subject to a terminal disclaimer.

(\*\*) Term: **15 Years**

(21) Appl. No.: **29/570,559**

(22) Filed: **Jul. 8, 2016**

**Related U.S. Application Data**

(63) Continuation-in-part of application No. 14/675,411,  
filed on Mar. 31, 2015, now Pat. No. 9,672,718.

(51) **LOC (13) Cl.** ..... **06-13**

(52) **U.S. Cl.**  
USPC ..... **D6/602**

(58) **Field of Classification Search**

USPC ..... D6/582-583, 587-592, 595-609,  
D6/617-622; D21/803-809; D24/183

CPC ..... A47G 9/00; A47G 2009/001; A47G  
2009/002; A47G 2009/003; A47G 9/10;  
A47G 9/1009; A47G 2009/1018; A47G  
9/1045; A47G 9/1081; A47G 9/109;  
A47G 2009/005; A47G 2009/006; A47G  
9/02; A47G 9/0207; A47G 9/0215; A47G  
9/0223; A47G 9/023; A47G 9/0238;  
A47G 9/0246;

(Continued)

(56) **References Cited**

**U.S. PATENT DOCUMENTS**

5,020,177 A \* 6/1991 Etherington ..... A47G 9/02  
5/496  
5,189,744 A \* 3/1993 Roberts ..... A47G 9/0246  
5/497

(Continued)

*Primary Examiner* — Jennifer L Rempfer

(74) *Attorney, Agent, or Firm* — Ceres Patent &  
Technology, LLC; Mandy T. Garrels

(57) **CLAIM**

We claim the ornamental design for a bed linen device, as shown and described.

**DESCRIPTION**

A portion of the disclosure of this patent document contains material that is subject to copyright protection. The copyright owner has no objection to the facsimile reproduction by anyone of the patent document or patent disclosure as it appears in the Patent and Trademark office, patent file or records, but otherwise reserves all copyright rights whatsoever.

FIG. 1 is a bottom view of the invention in top folded form. FIG. 2 is a top view of the invention in top folded form. FIG. 3 is a front bottom perspective view of the invention in extended form.

FIG. 4 is a right side plan view of the invention in extended form.

FIG. 5 is a bottom side view of the invention in extended form.

FIG. 6 is a front bottom side view of the invention.

FIG. 7 is a right side view of the invention in extended form.

FIG. 8 is a top view of the invention in extended form.

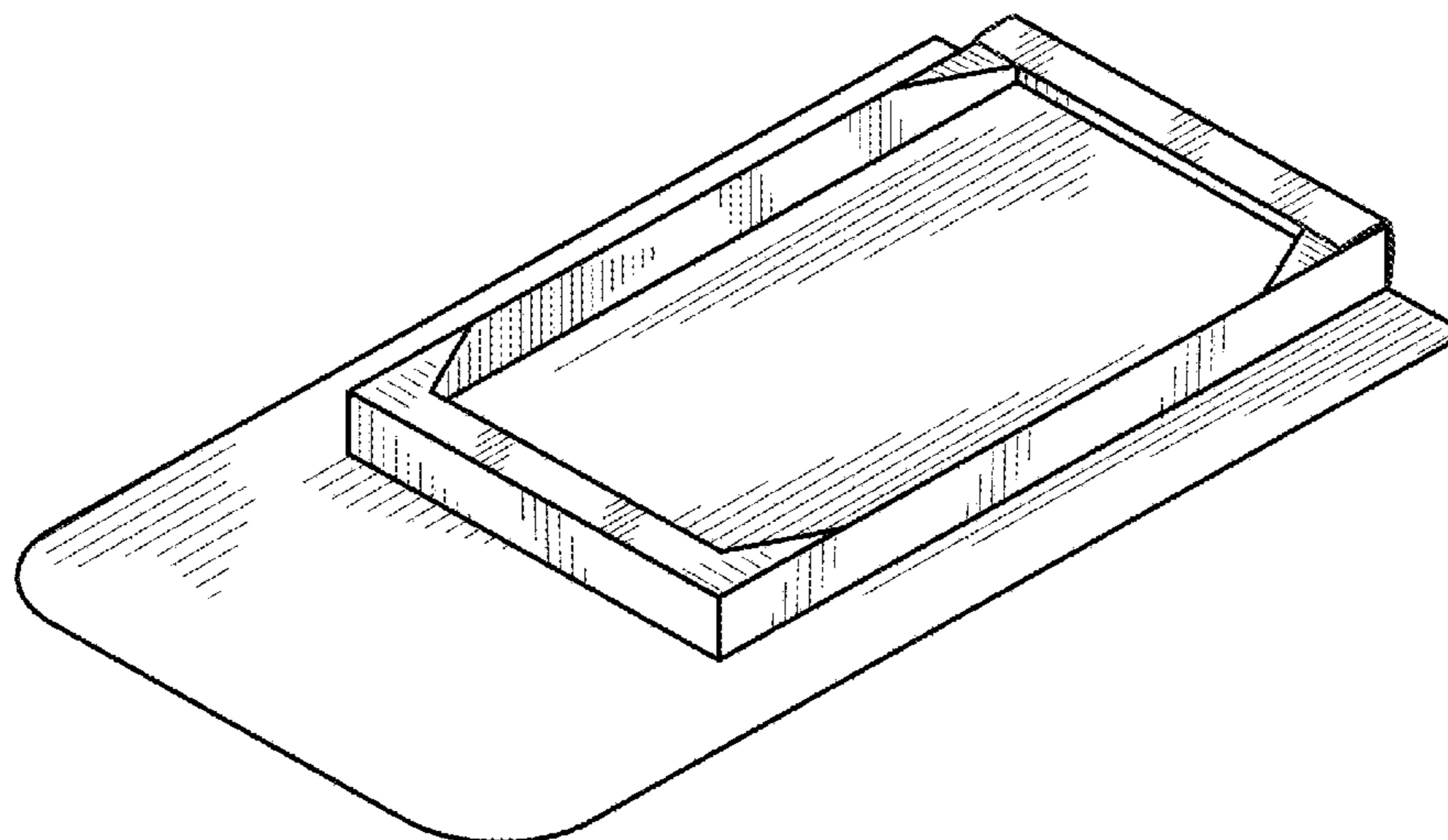
FIG. 9 is a front top side view from the of the invention.

FIG. 10 is a bottom plan rear side top perspective view of a second embodiment of the invention in extended form.

FIG. 11 is a top bottom perspective view of a second embodiment of the invention blanket in top folded form, in forward folded position; and,

FIG. 12 is a bottom perspective view of a second embodiment of the invention in bottom folded form, in an inverse folded position.

**1 Claim, 7 Drawing Sheets**



(58) **Field of Classification Search**

CPC ..... A47G 9/0253; A47G 9/0261; A47G  
2009/0269; A47G 11/002; A47G 21/165  
See application file for complete search history.

(56) **References Cited**

U.S. PATENT DOCUMENTS

5,557,814 A \* 9/1996 Cybulski ..... A47G 9/02  
5/485  
5,884,349 A \* 3/1999 Gretsinger ..... A47C 21/022  
5/494  
6,108,836 A \* 8/2000 Keene, III ..... A47G 9/02  
5/482  
6,427,266 B2 \* 8/2002 Talley-Williams ..... A47G 9/02  
5/482  
7,100,223 B1 \* 9/2006 Anthony ..... A47G 9/02  
5/482  
7,140,053 B1 \* 11/2006 Mangano ..... A47G 9/02  
5/493  
8,214,949 B2 \* 7/2012 Thompson ..... A47G 9/02  
5/485  
8,393,025 B2 \* 3/2013 Crispino ..... A47C 21/028  
5/494  
D679,930 S \* 4/2013 Thomas ..... D6/603  
D681,996 S \* 5/2013 Jimenez-Hernandez ..... D6/602  
9,024,773 B2 \* 5/2015 Shilts ..... A47G 9/10  
340/686.6  
9,149,136 B2 \* 10/2015 Mikesell ..... A47G 9/02  
D778,638 S \* 2/2017 Williams ..... D6/602  
10,016,078 B1 \* 7/2018 McDermott ..... A47G 9/0238

\* cited by examiner

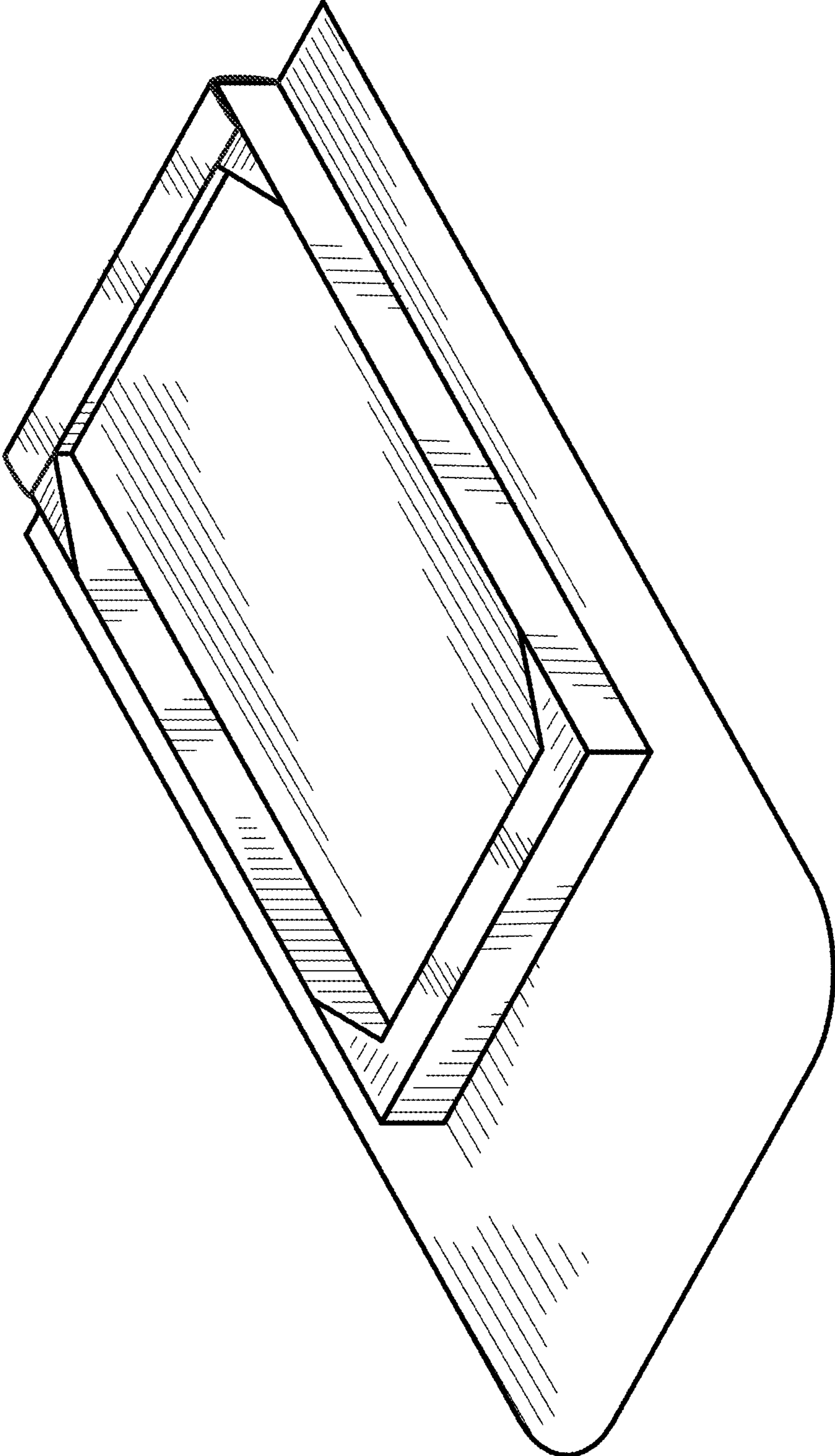


FIG. 1

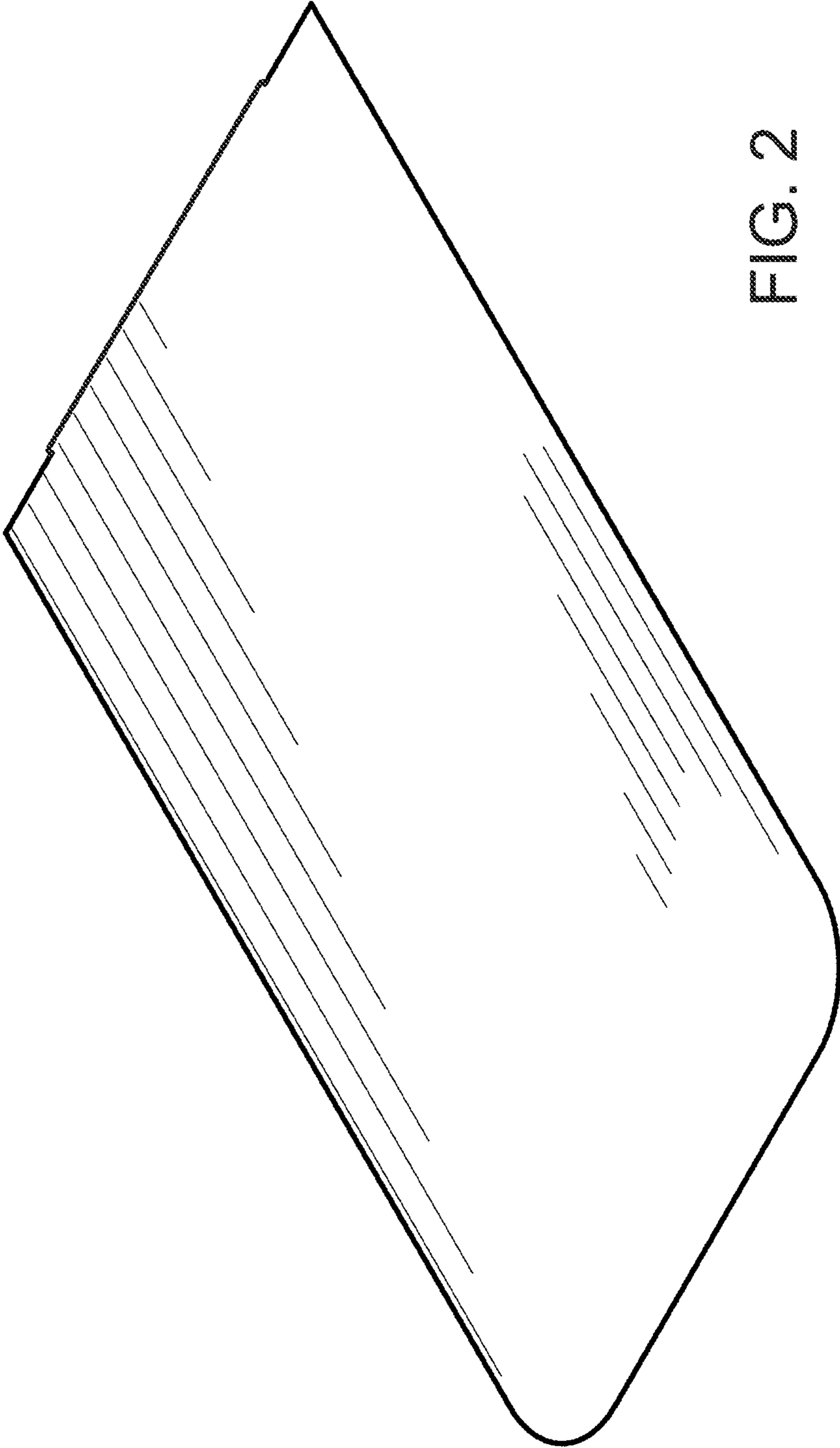


FIG. 2

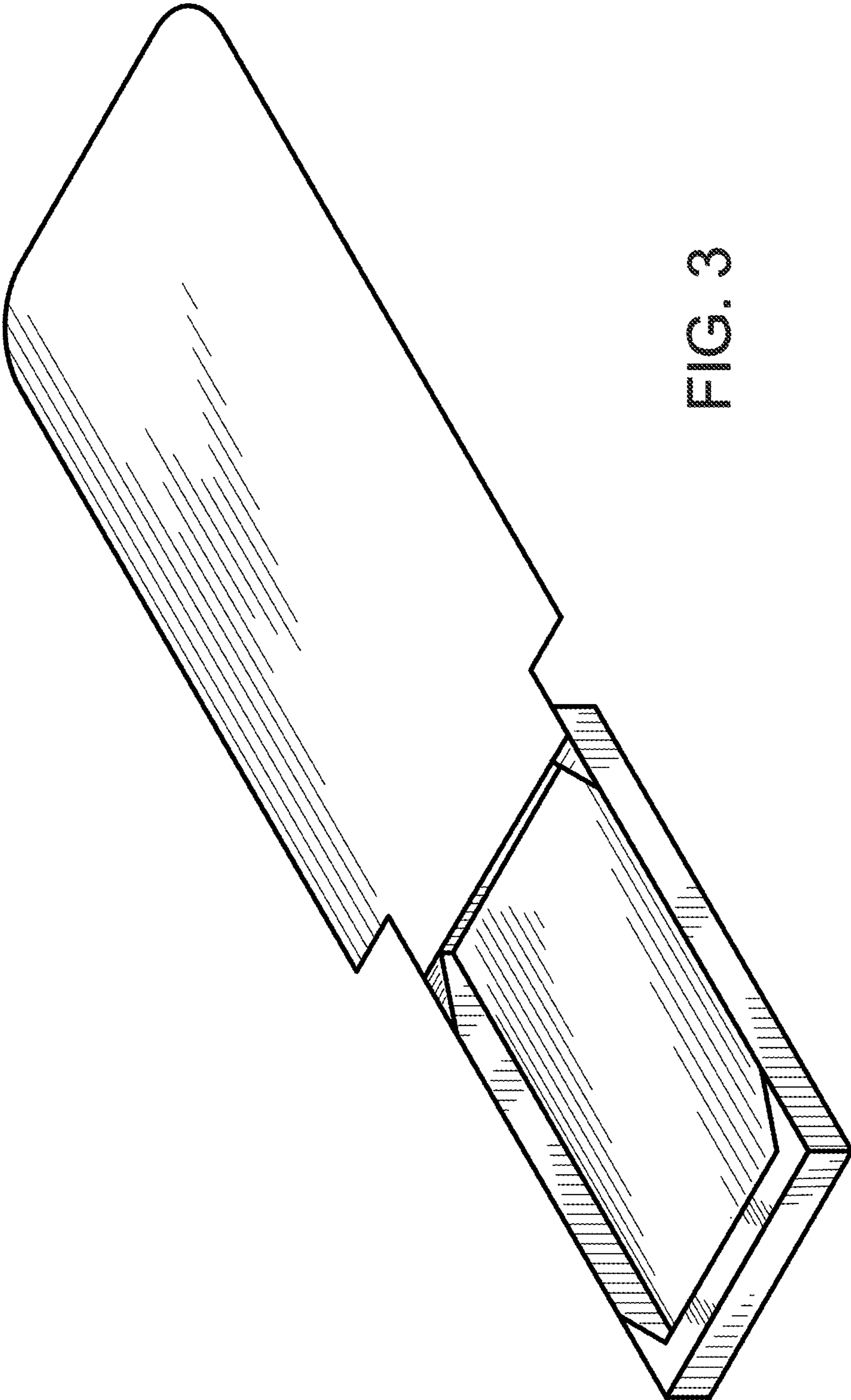


FIG. 3



FIG. 4

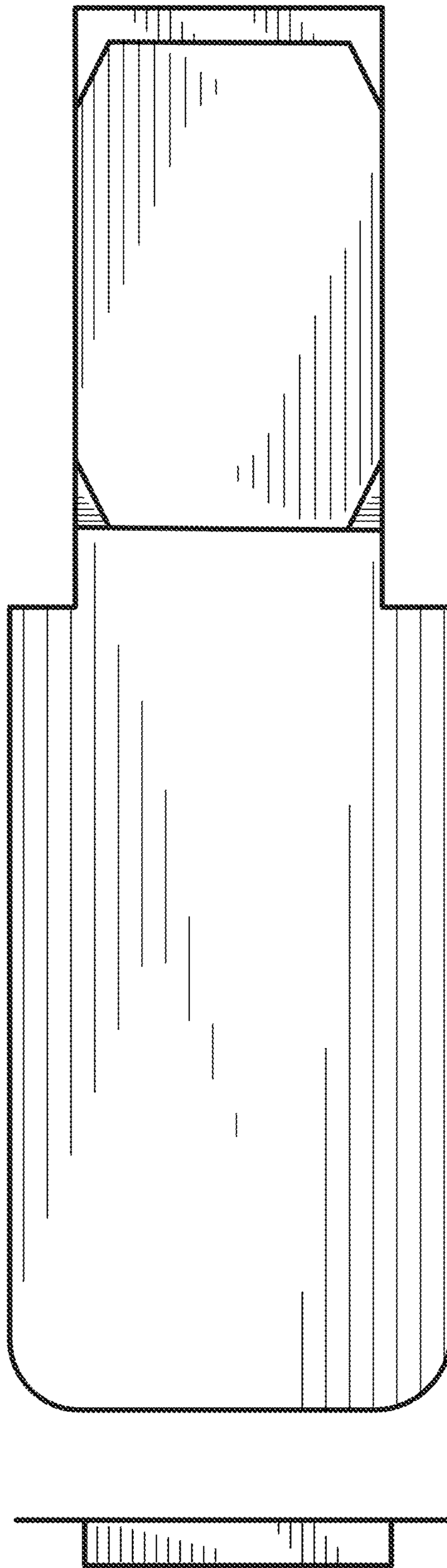


FIG. 5

FIG. 6

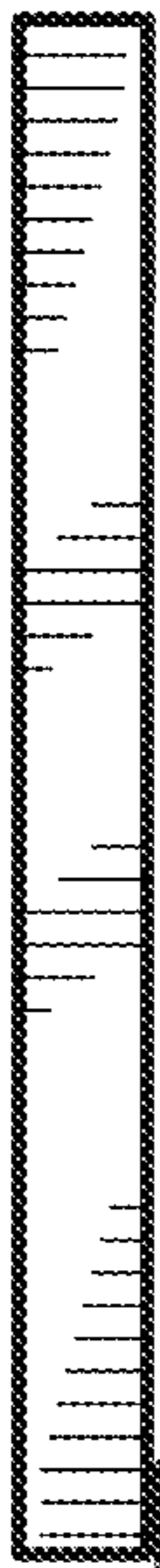


FIG. 7

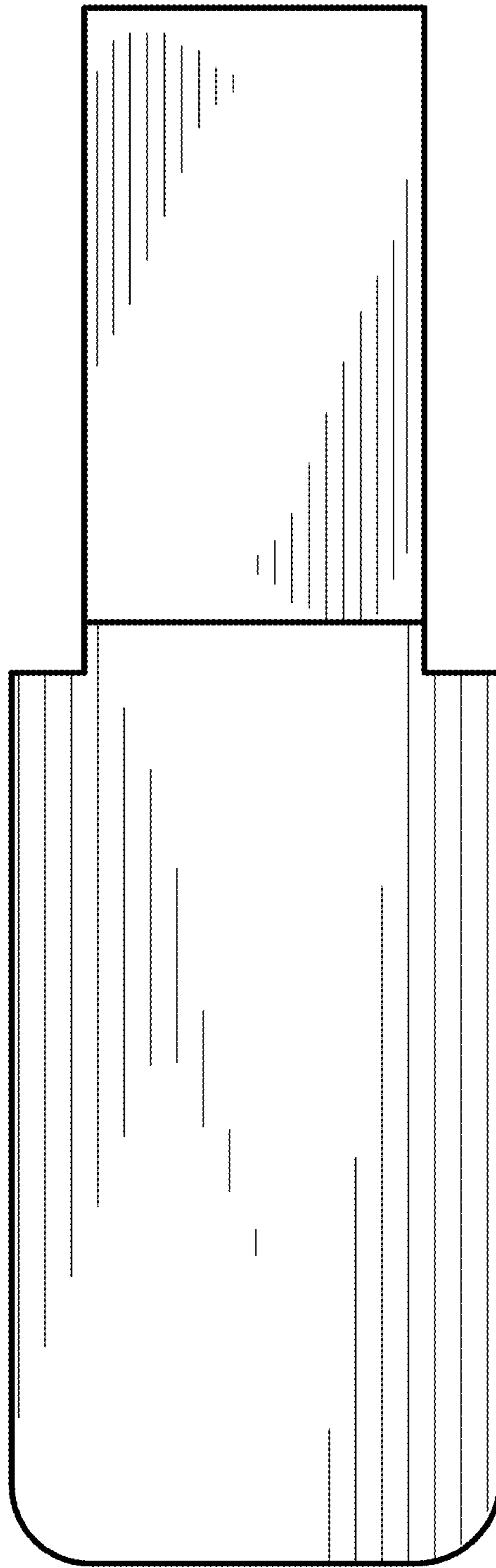


FIG. 8

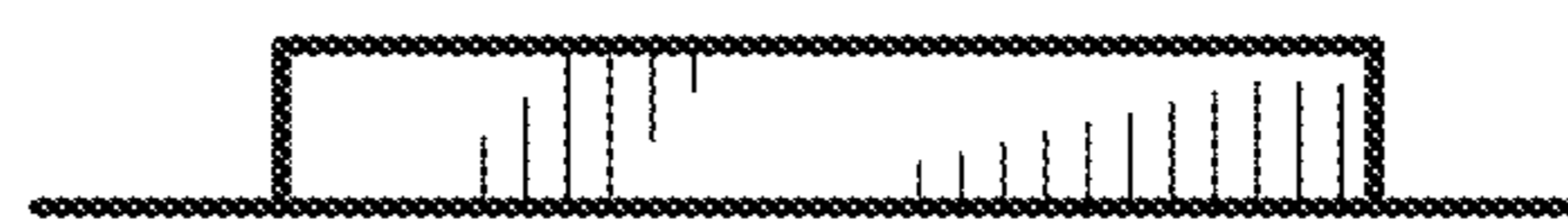


FIG. 9

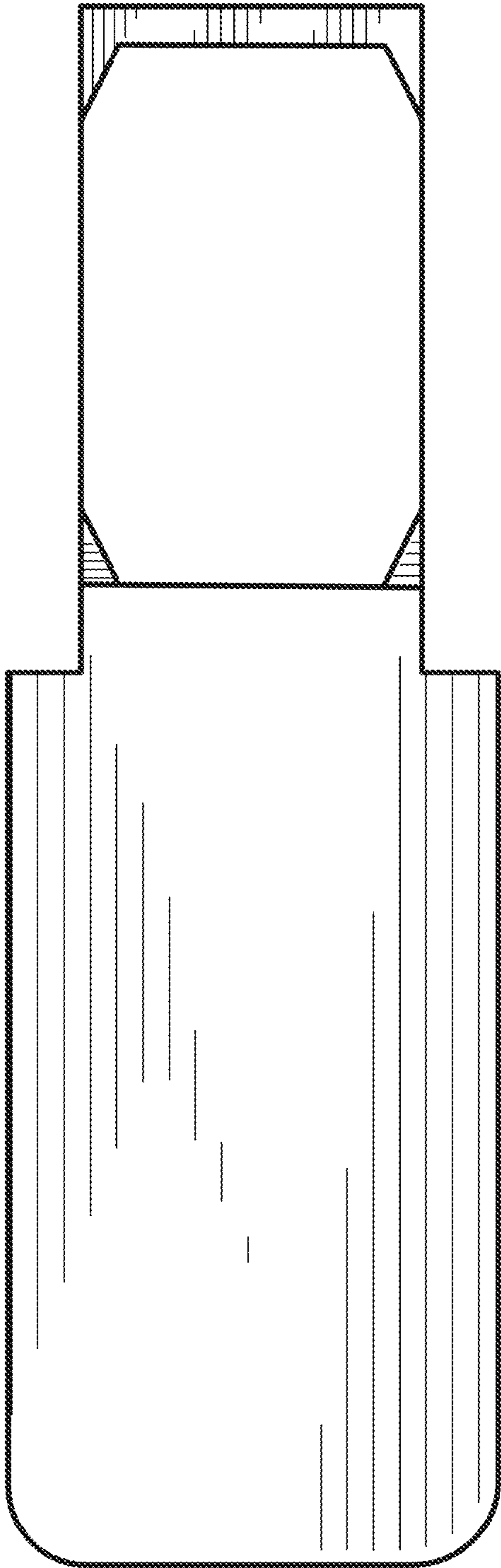


FIG. 10

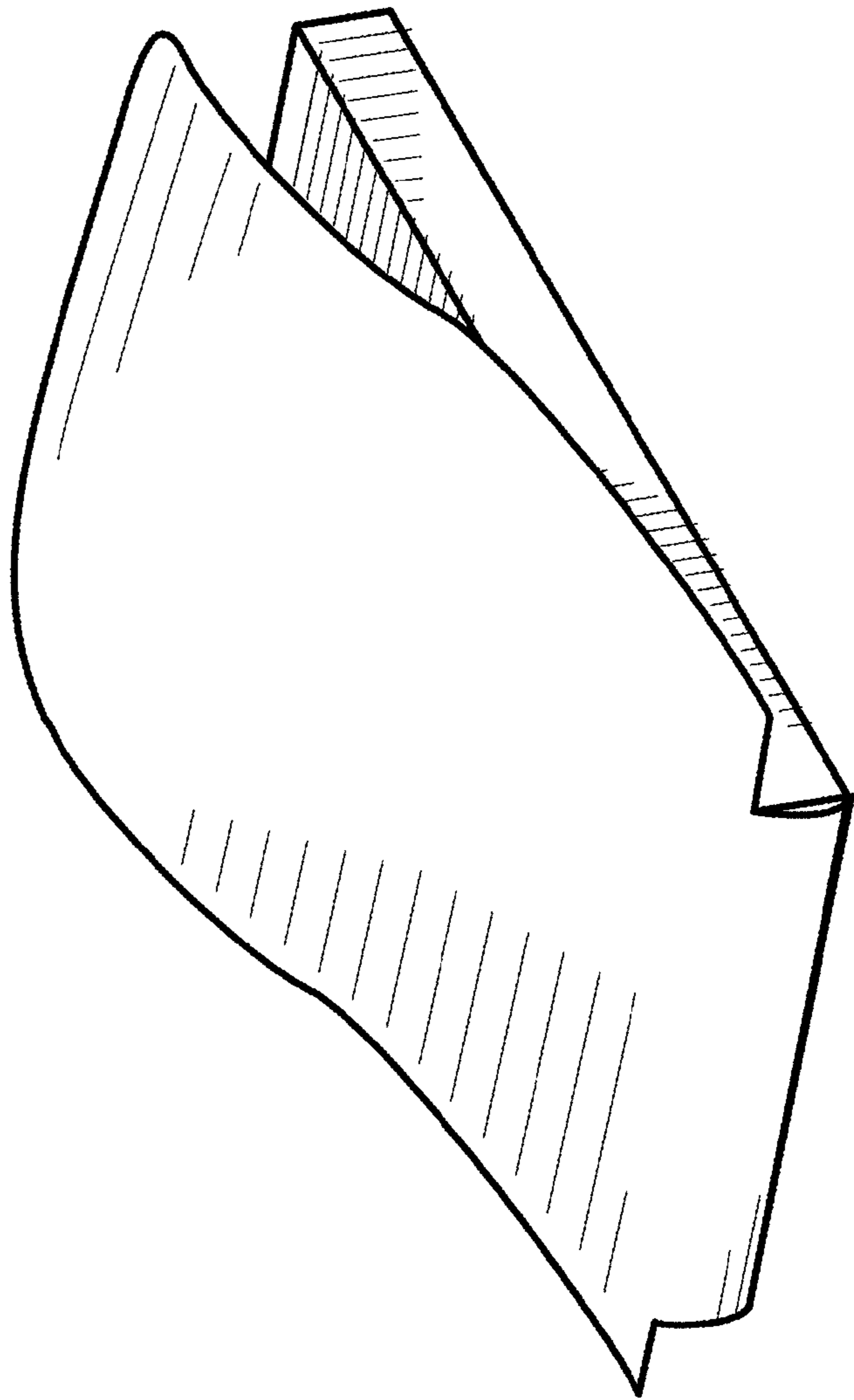


FIG. 11



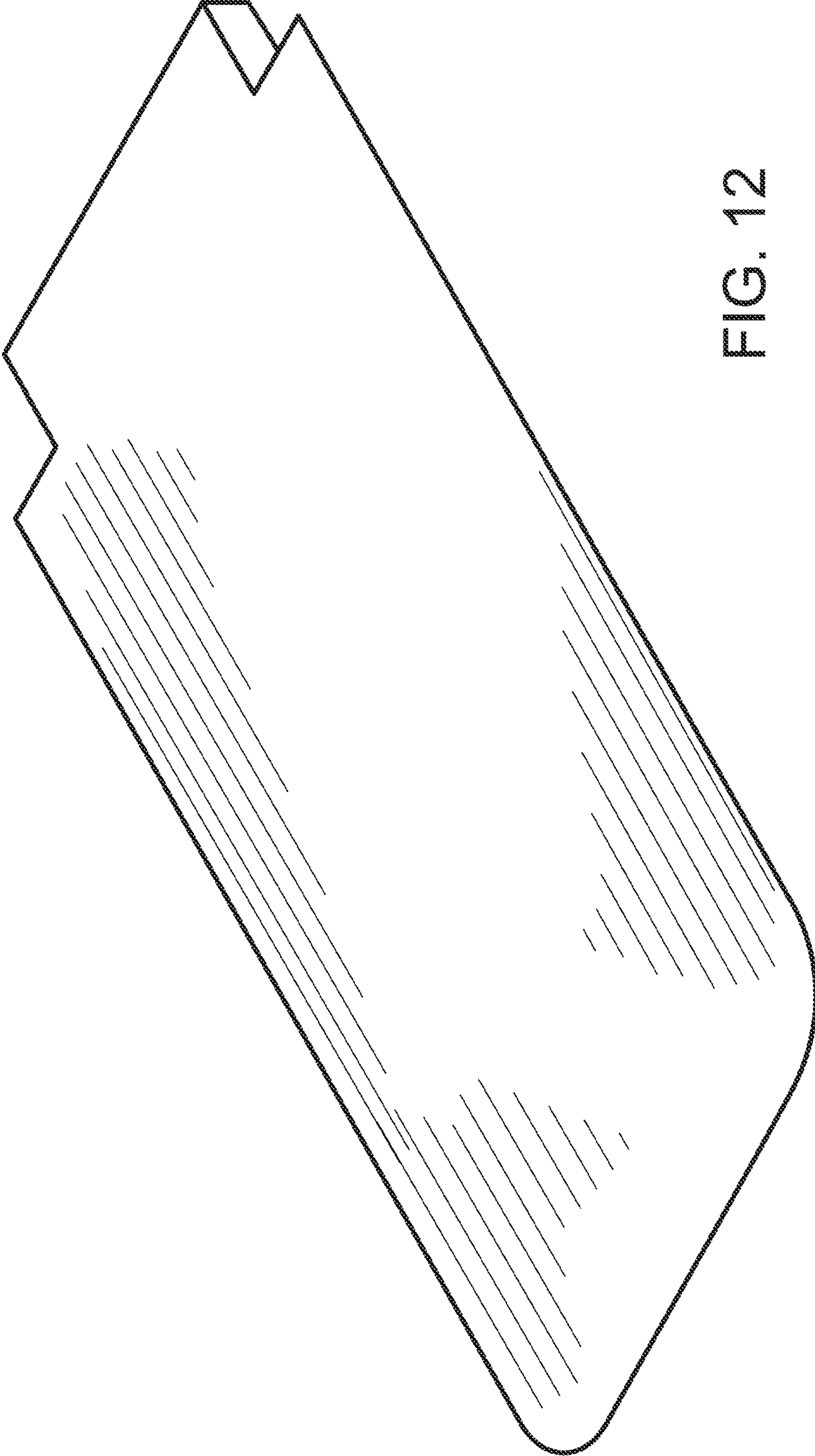


FIG. 12