



US00D911072S

(12) **United States Design Patent** (10) **Patent No.:** **US D911,072 S**  
**Moore** (45) **Date of Patent:** **\*\* Feb. 23, 2021**

(54) **ARM REST PILLOW**  
(71) Applicant: **Sleep Well Solutions, LLC**, Fair Haven, NJ (US)  
(72) Inventor: **Wesley K. Moore**, Fair Haven, NJ (US)  
(\*\*) Term: **15 Years**  
(21) Appl. No.: **29/720,553**  
(22) Filed: **Jan. 14, 2020**  
(51) **LOC (13) Cl.** ..... **06-09**  
(52) **U.S. Cl.**  
USPC ..... **D6/601**  
(58) **Field of Classification Search**  
USPC ..... D6/582-583, 587-592, 595-609,  
D6/617-622; D21/803-809; D24/183  
CPC ..... A47G 9/00; A47G 2009/001; A47G  
2009/002; A47G 2009/003; A47G 9/10;  
A47G 9/1009; A47G 2009/1018; A47G  
9/1045; A47G 9/1081; A47G 9/109  
See application file for complete search history.

(56) **References Cited**  
U.S. PATENT DOCUMENTS  
4,040,665 A \* 8/1977 Wallace ..... B60N 2/753  
297/411.32  
4,265,232 A \* 5/1981 Stonich ..... A61F 5/37  
128/877  
5,716,334 A \* 2/1998 Wade ..... A61F 5/0585  
128/882  
D398,173 S \* 9/1998 Velez ..... D6/601  
6,558,264 B2 \* 5/2003 Gordon ..... A63G 21/18  
472/117  
D546,107 S \* 7/2007 Babcock ..... D6/601

D642,412 S \* 8/2011 Cuba ..... D6/601  
D751,321 S \* 3/2016 Smallman ..... D6/596  
D793,769 S \* 8/2017 Nacey ..... D6/601  
D813,398 S \* 3/2018 Barber ..... D24/183  
D845,035 S \* 4/2019 Raad ..... D6/601  
D868,500 S \* 12/2019 Rowe ..... D6/601  
2006/0055215 A1 \* 3/2006 Potosky ..... A47C 7/546  
297/219.1  
2007/0294829 A1 \* 12/2007 Callahan ..... A61G 13/12  
5/636  
2009/0229056 A1 \* 9/2009 Edinger ..... A47C 20/021  
5/648

\* cited by examiner

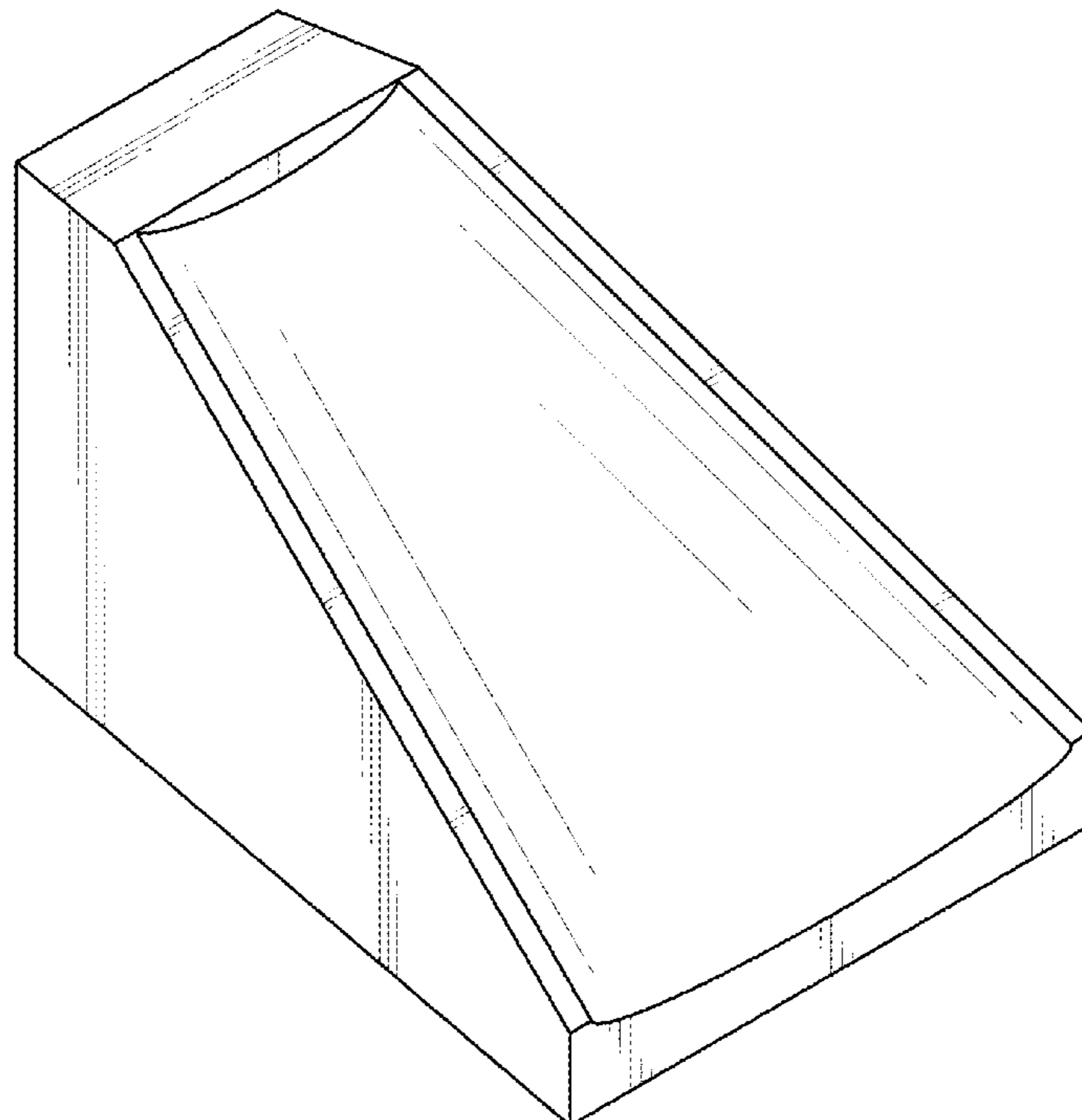
*Primary Examiner* — Jennifer L Rempfer  
(74) *Attorney, Agent, or Firm* — Doherty IP Law Group  
LLC

(57) **CLAIM**  
The ornamental design for an arm rest pillow, as shown and described.

**DESCRIPTION**

FIG. 1 is a perspective view of an arm rest pillow showing my new design;  
FIG. 2 is a front elevation view of the arm rest pillow shown in FIG. 1;  
FIG. 3 is a rear elevation view of the arm rest pillow shown in FIG. 1;  
FIG. 4 is a right side view of the arm rest pillow shown in FIG. 1;  
FIG. 5 is a left side view of the arm rest pillow shown in FIG. 1;  
FIG. 6 is a top plan view of the arm rest pillow shown in FIG. 1; and,  
FIG. 7 is a bottom view of the arm rest pillow shown in FIG. 1.

**1 Claim, 7 Drawing Sheets**



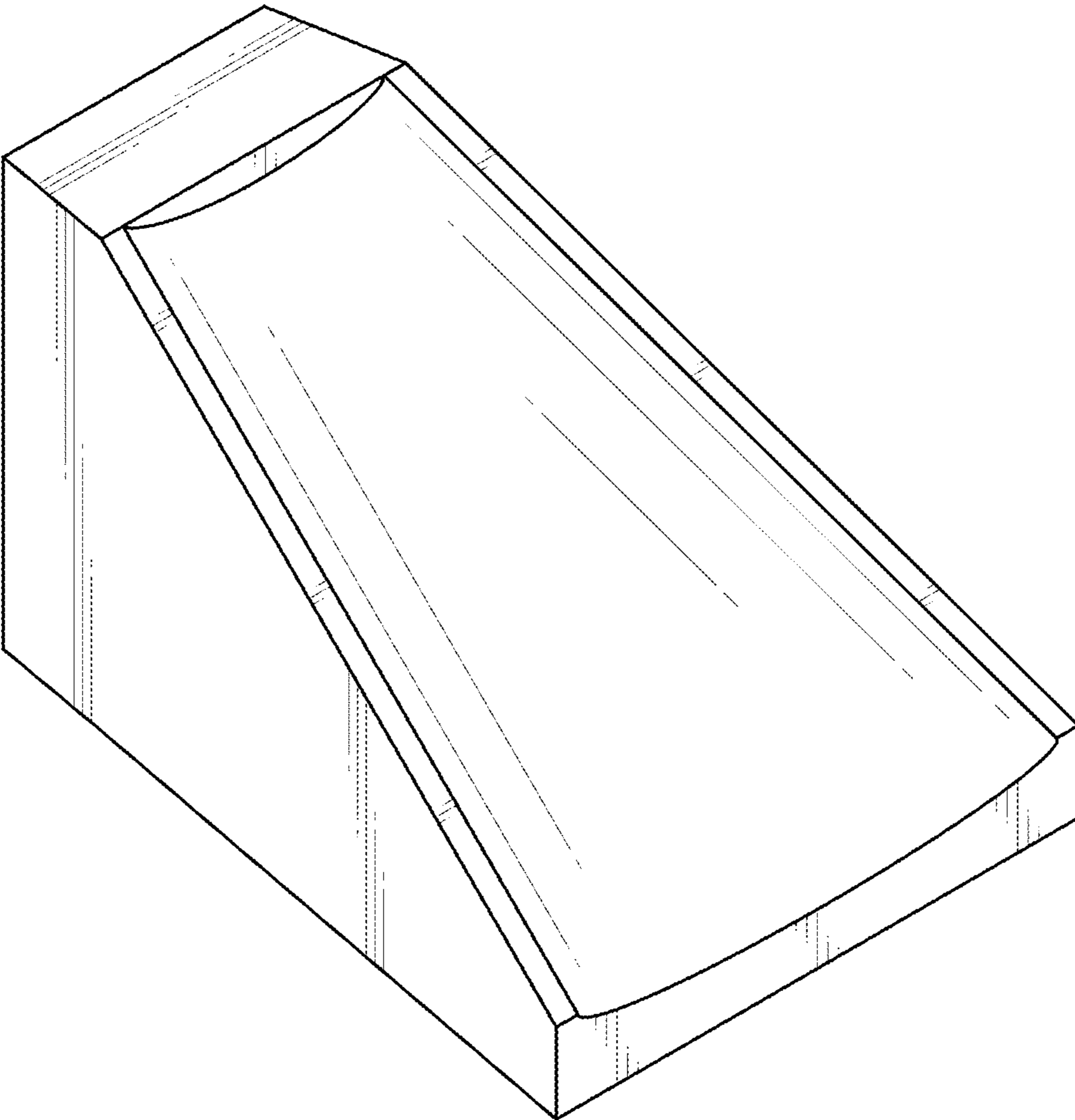


FIG. 1

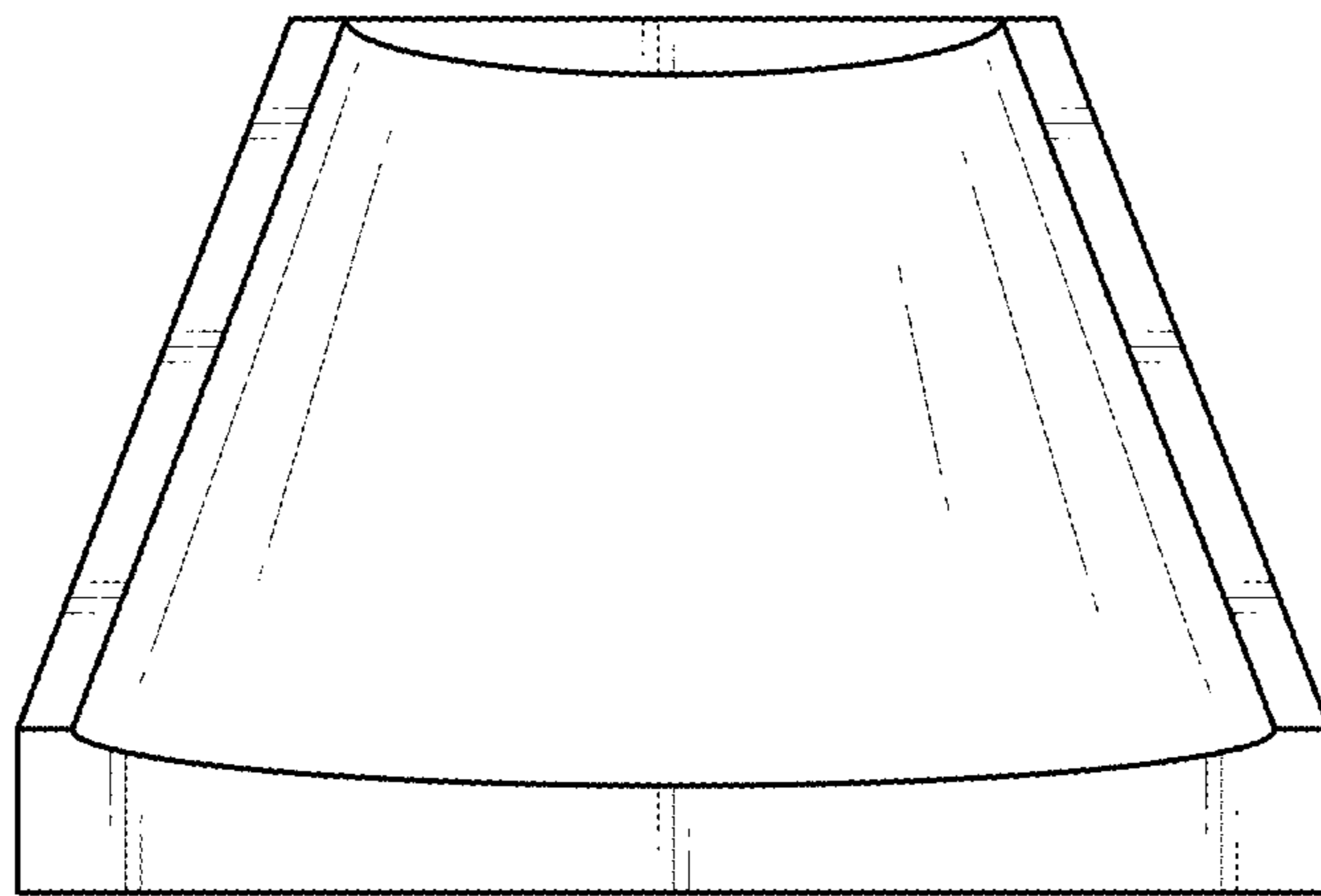


FIG. 2

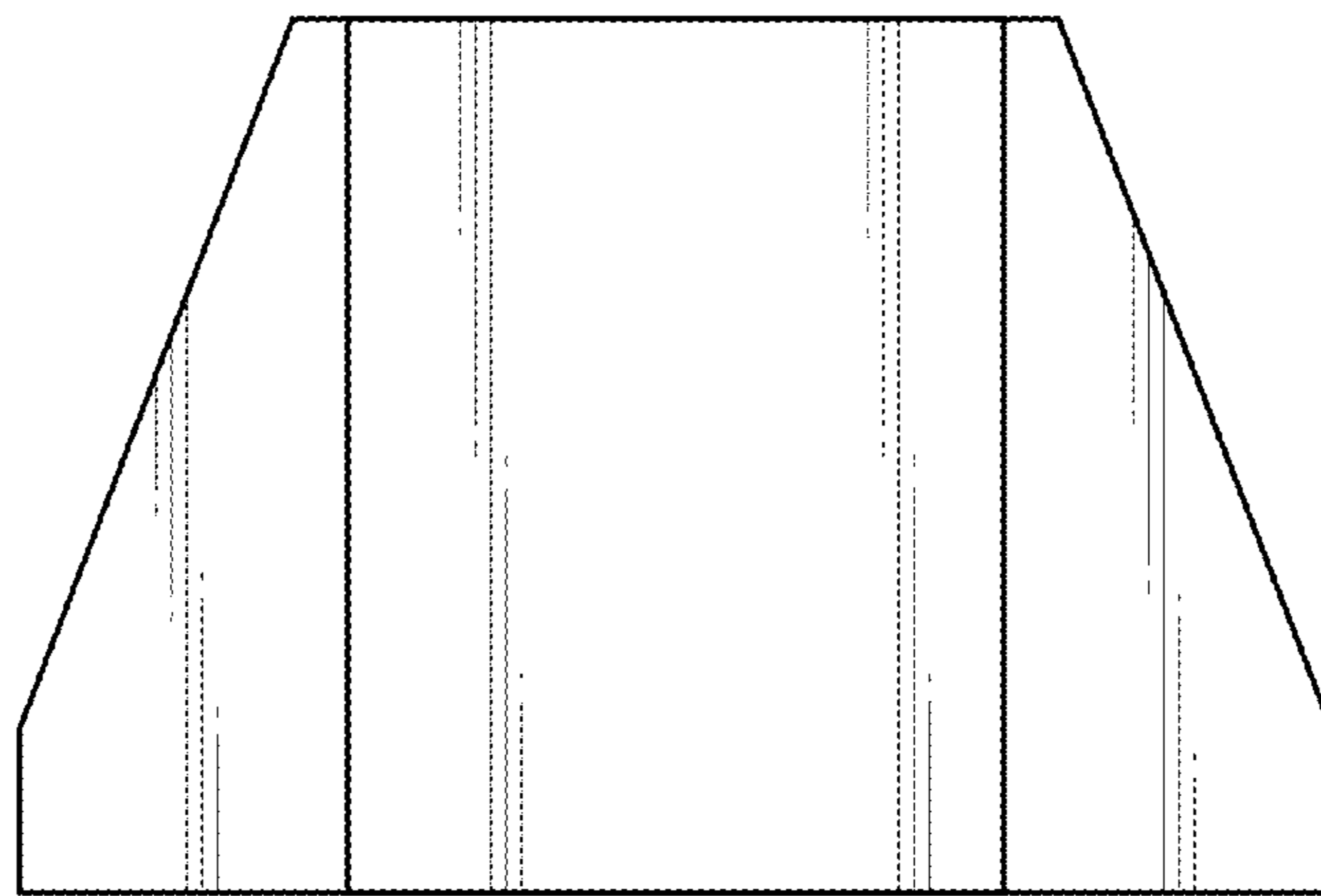


FIG. 3

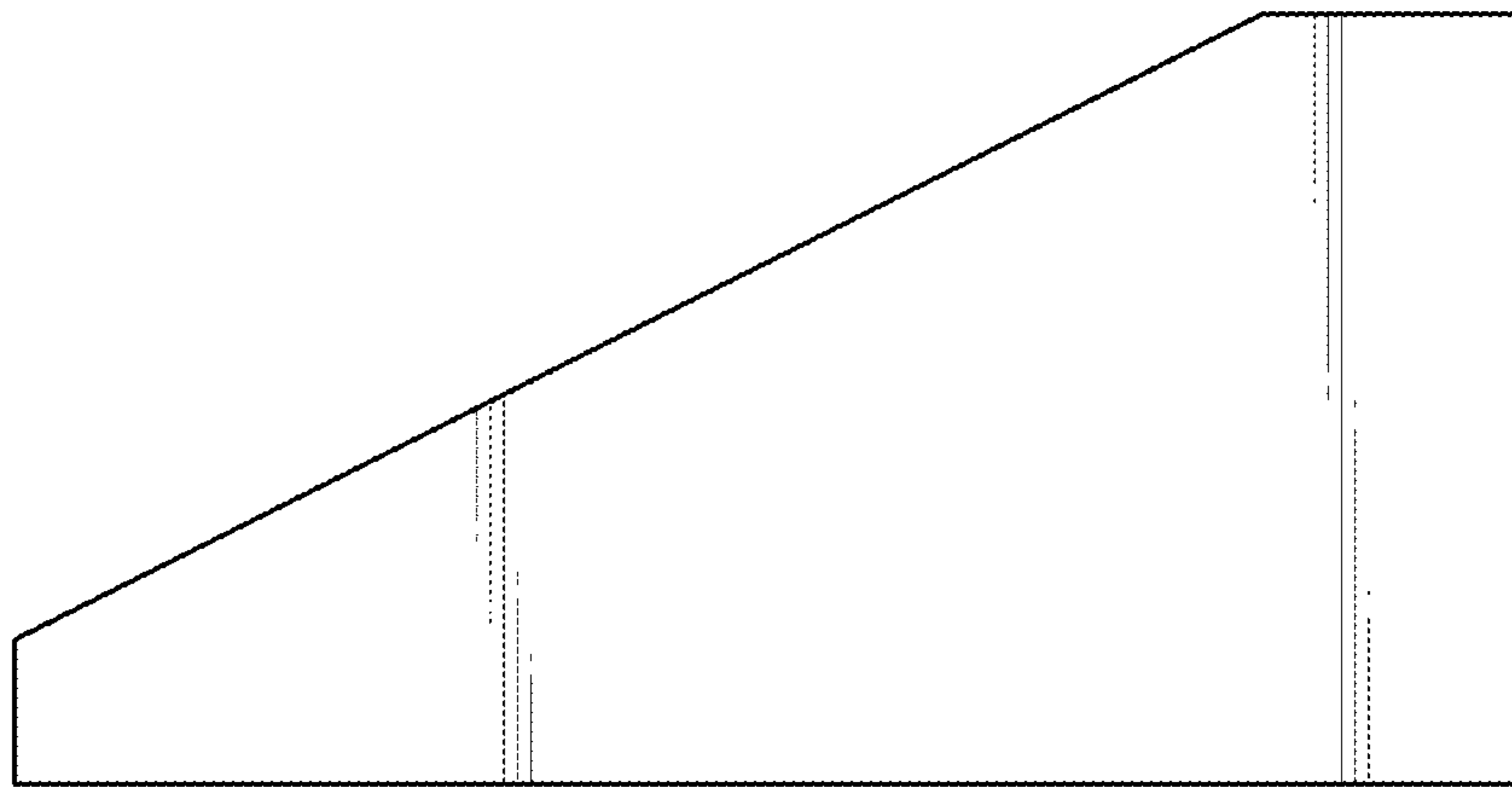


FIG. 4

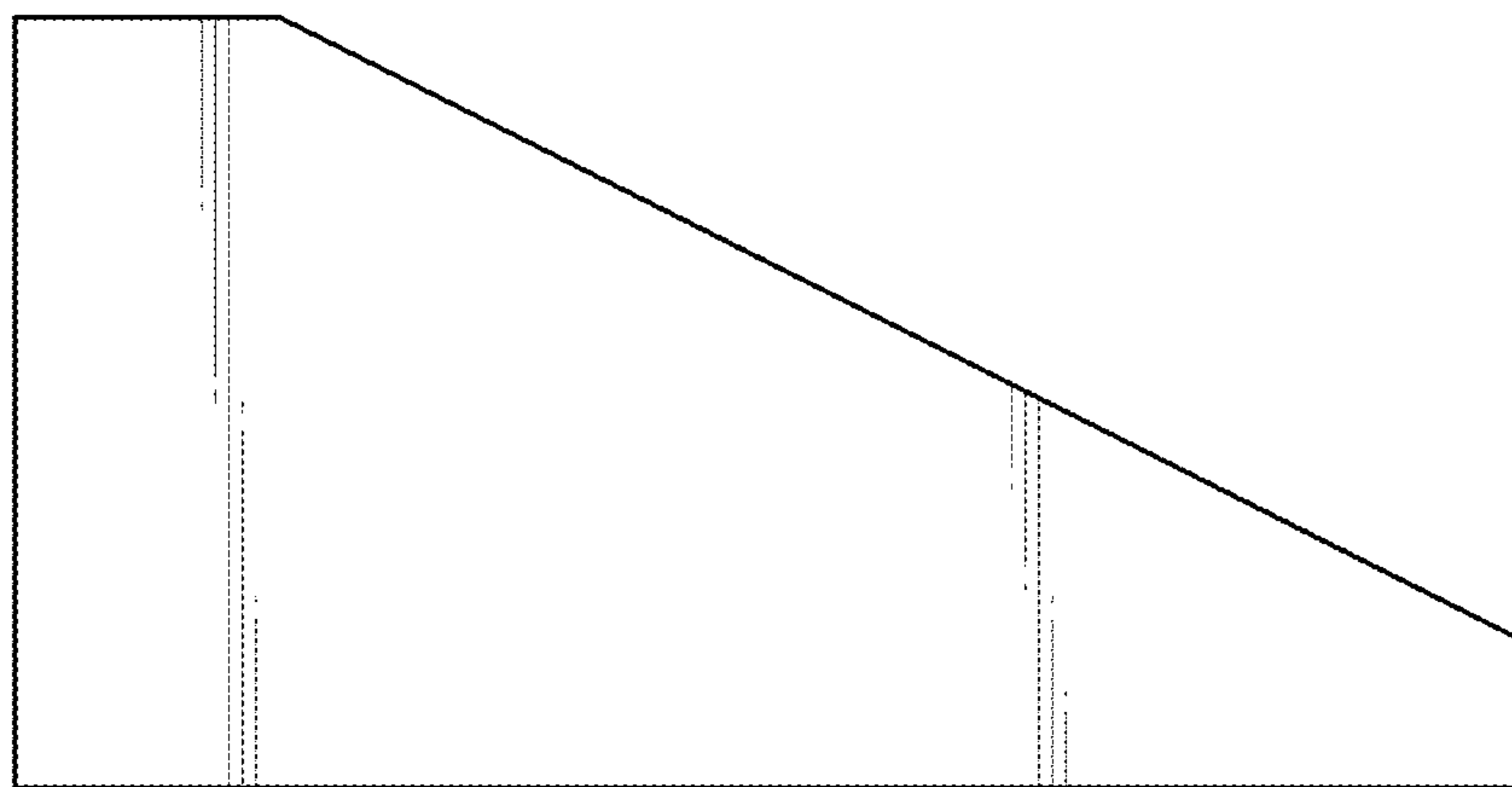


FIG. 5

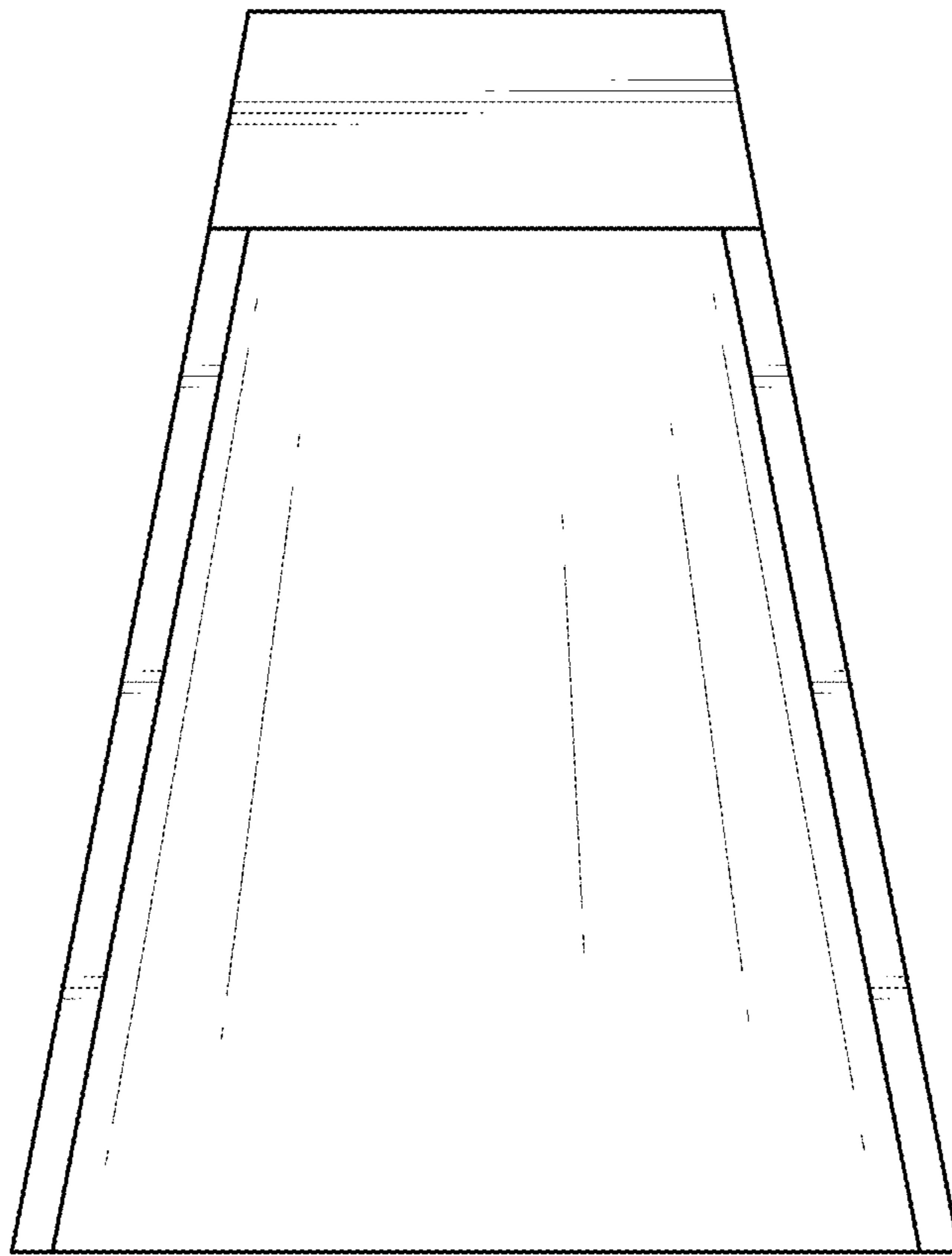


FIG. 6

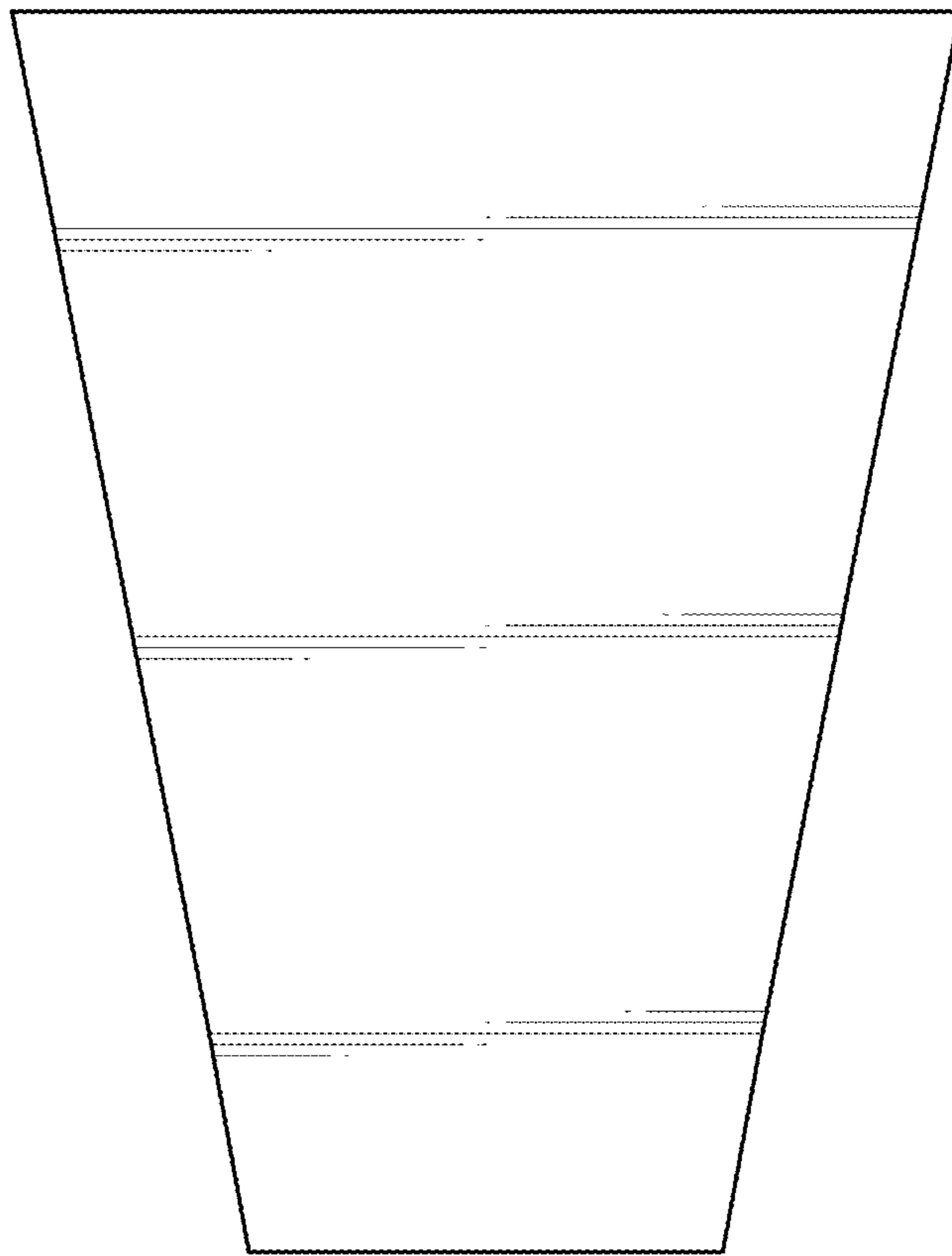


FIG. 7