



US00D911070S

(12) **United States Design Patent** (10) **Patent No.:** **US D911,070 S**  
**Qu** (45) **Date of Patent:** **\*\* Feb. 23, 2021**

(54) **TRAVEL PILLOW**  
(71) Applicant: **Xiaohu Qu**, Liaocheng (CN)  
(72) Inventor: **Xiaohu Qu**, Liaocheng (CN)  
(\*\*) Term: **15 Years**  
(21) Appl. No.: **29/710,881**  
(22) Filed: **Oct. 28, 2019**

(30) **Foreign Application Priority Data**

Sep. 9, 2019 (CN) ..... 201930493403.8

(51) **LOC (13) Cl.** ..... **06-09**  
(52) **U.S. Cl.**

USPC ..... **D6/601**; D6/604

(58) **Field of Classification Search**

USPC ..... D6/582-583, 587-592, 595-609,  
D6/617-622; D21/803-809; D24/183  
CPC ..... A47G 9/00; A47G 2009/001; A47G  
2009/002; A47G 2009/003; A47G 9/10;  
A47G 9/1009; A47G 2009/1018; A47G  
9/1045; A47G 9/1081; A47G 9/109

See application file for complete search history.

(56) **References Cited**

**U.S. PATENT DOCUMENTS**

2,877,472 A \* 3/1959 Wagner ..... A47G 9/10  
5/636  
D504,270 S \* 4/2005 Lowenthal ..... D6/601  
7,975,336 B1 \* 7/2011 Perry ..... A47G 9/10  
5/640  
D644,056 S \* 8/2011 Shuler ..... D6/601  
D819,367 S \* 6/2018 Meinhart ..... D6/601

D859,034 S \* 9/2019 Li ..... D6/604  
D880,192 S \* 4/2020 Joaquim ..... D6/601  
2007/0214572 A1 \* 9/2007 Buben ..... A61H 19/00  
5/630

\* cited by examiner

*Primary Examiner* — Jennifer L Rempfer  
(74) *Attorney, Agent, or Firm* — Bayramoglu Law Offices  
LLC

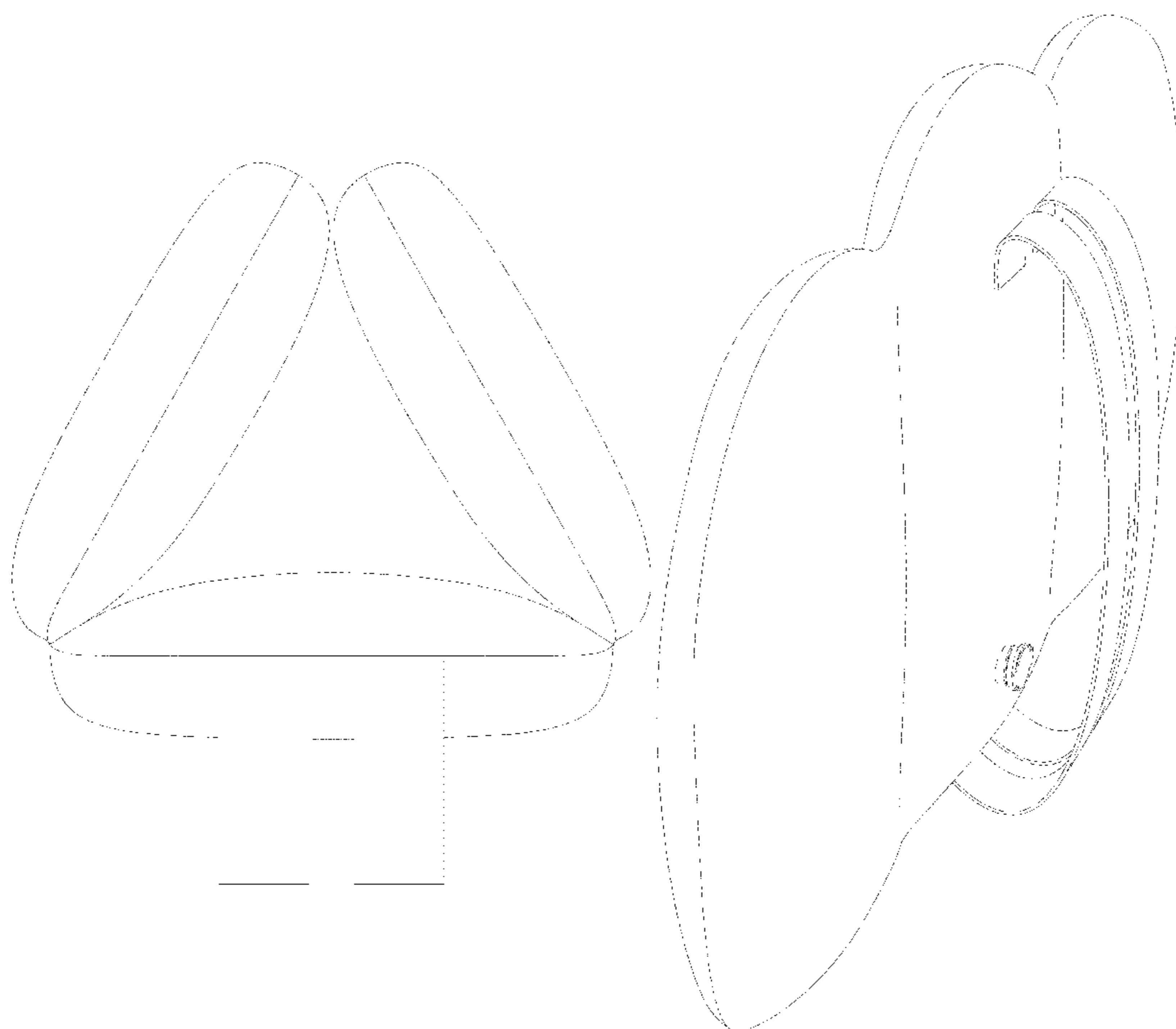
(57) **CLAIM**

The ornamental design for a travel pillow, as shown and described.

**DESCRIPTION**

FIG. 1 is a bottom plan view of a Travel Pillow showing my new design;  
FIG. 2 is a front elevational view thereof;  
FIG. 3 is a left side elevational view thereof;  
FIG. 4 is a rear perspective view thereof;  
FIG. 5 is a front perspective view thereof;  
FIG. 6 is a rear elevational view thereof;  
FIG. 7 is a right side elevational view thereof;  
FIG. 8 is a top plan view thereof;  
FIG. 9 is a perspective view thereof showing a use state;  
FIG. 10 is a perspective view thereof showing an unused state;  
FIG. 11 is a left side view thereof showing an unused state;  
and,  
FIG. 12 is a perspective view thereof showing an unfolding state.  
The broken line showing of the chair and person is for the purpose of illustrating the environmental structure and forms no part of the claimed design.

**1 Claim, 12 Drawing Sheets**



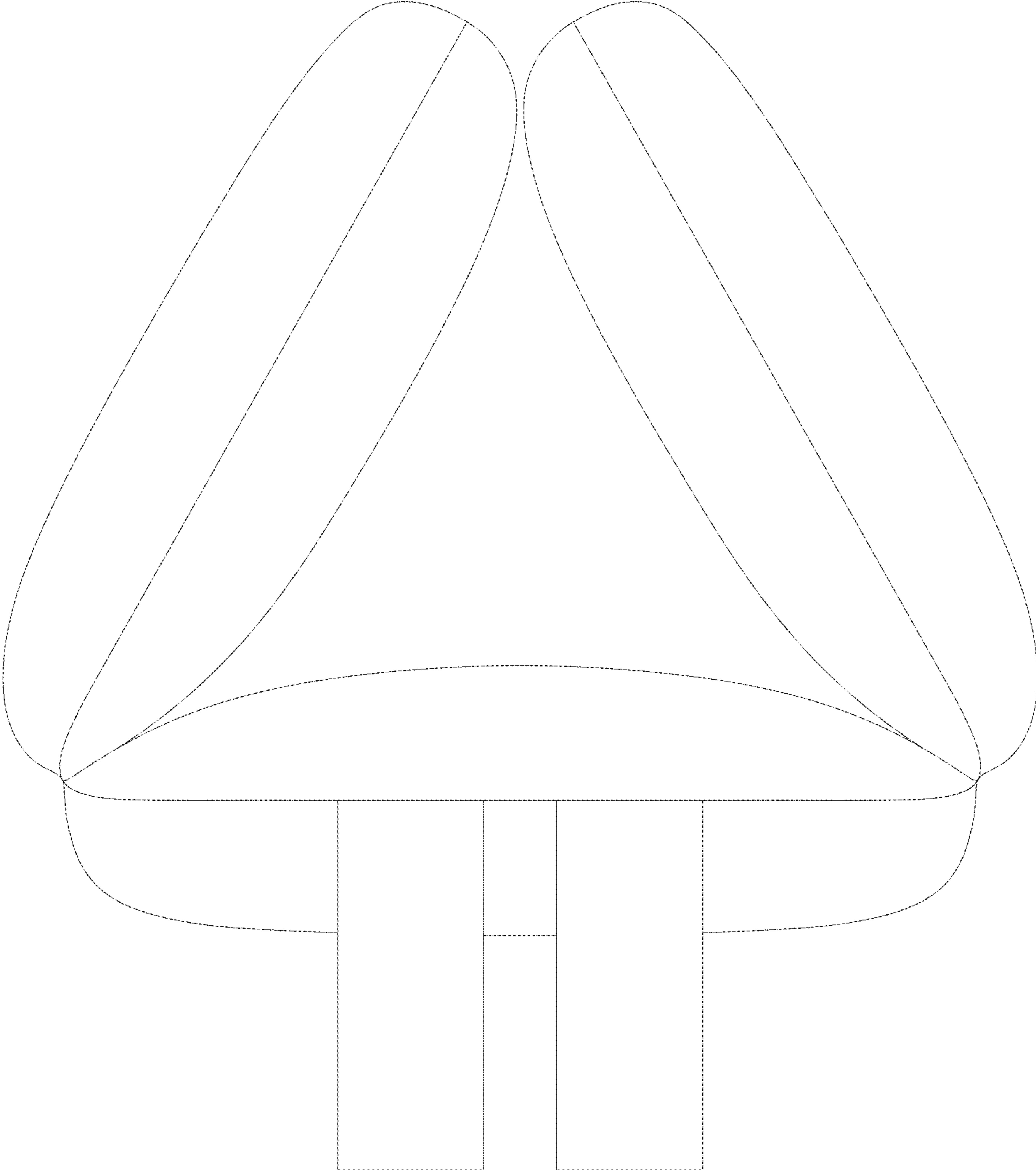


FIG. 1

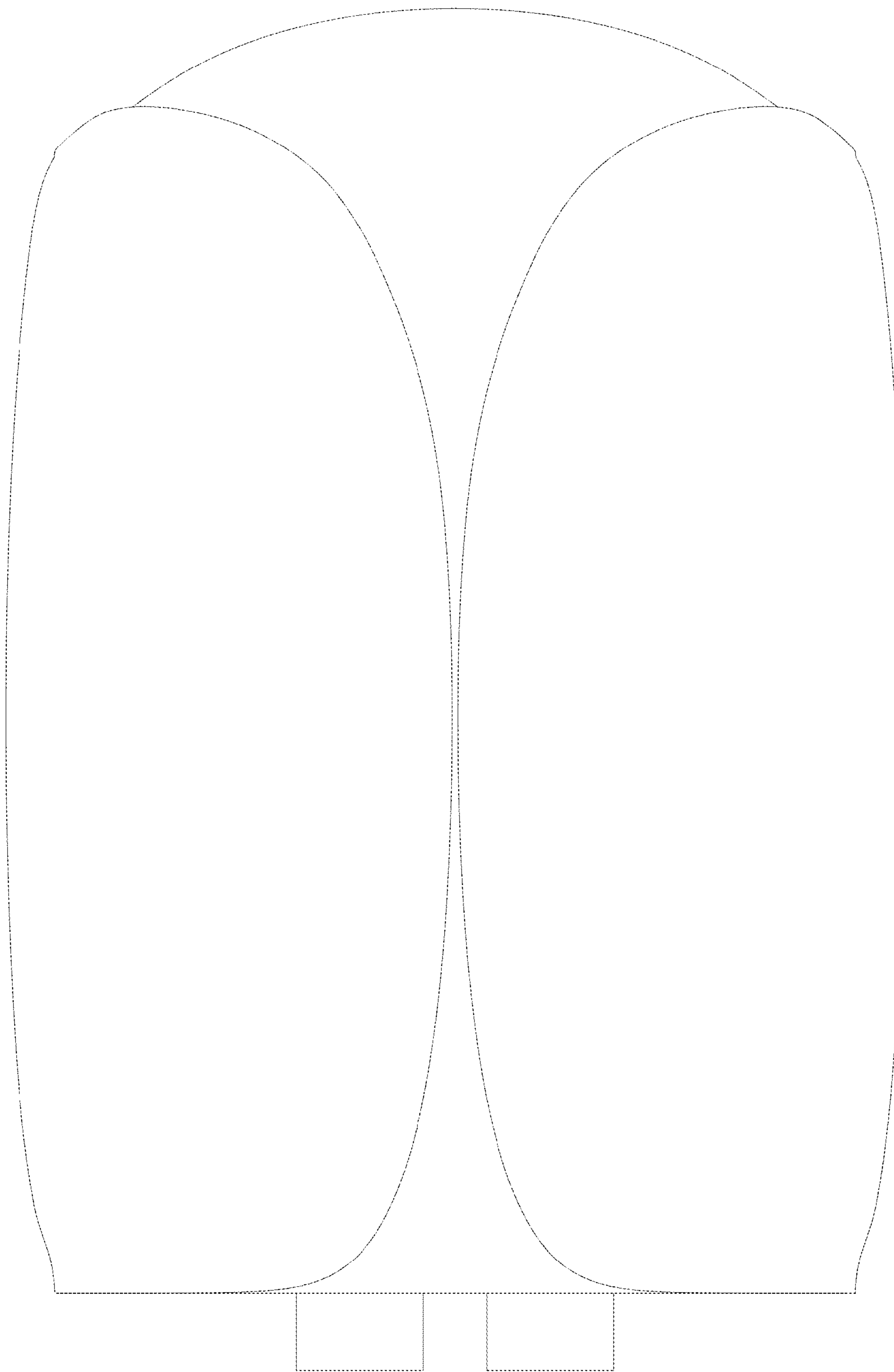


FIG. 2

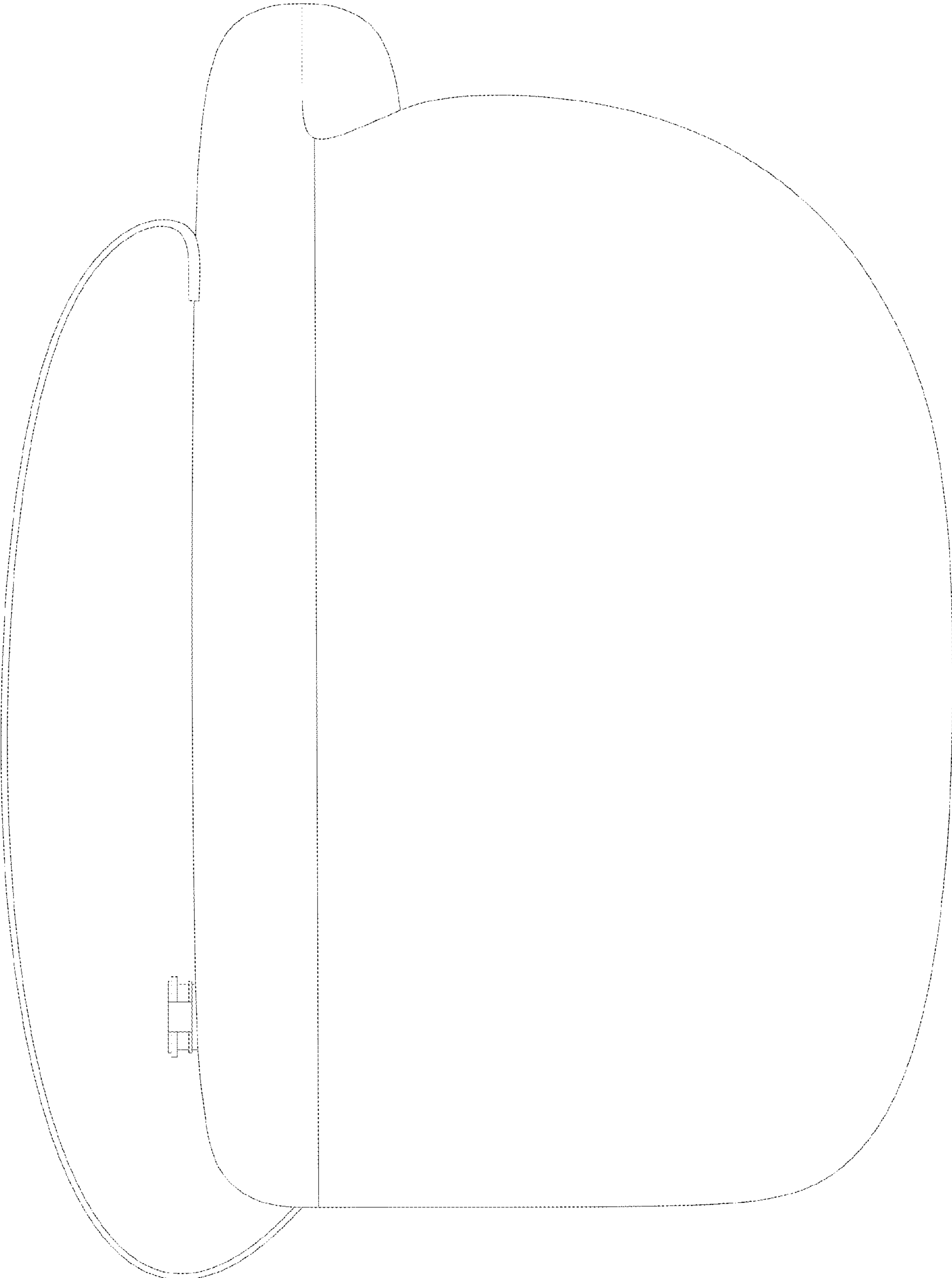


FIG. 3

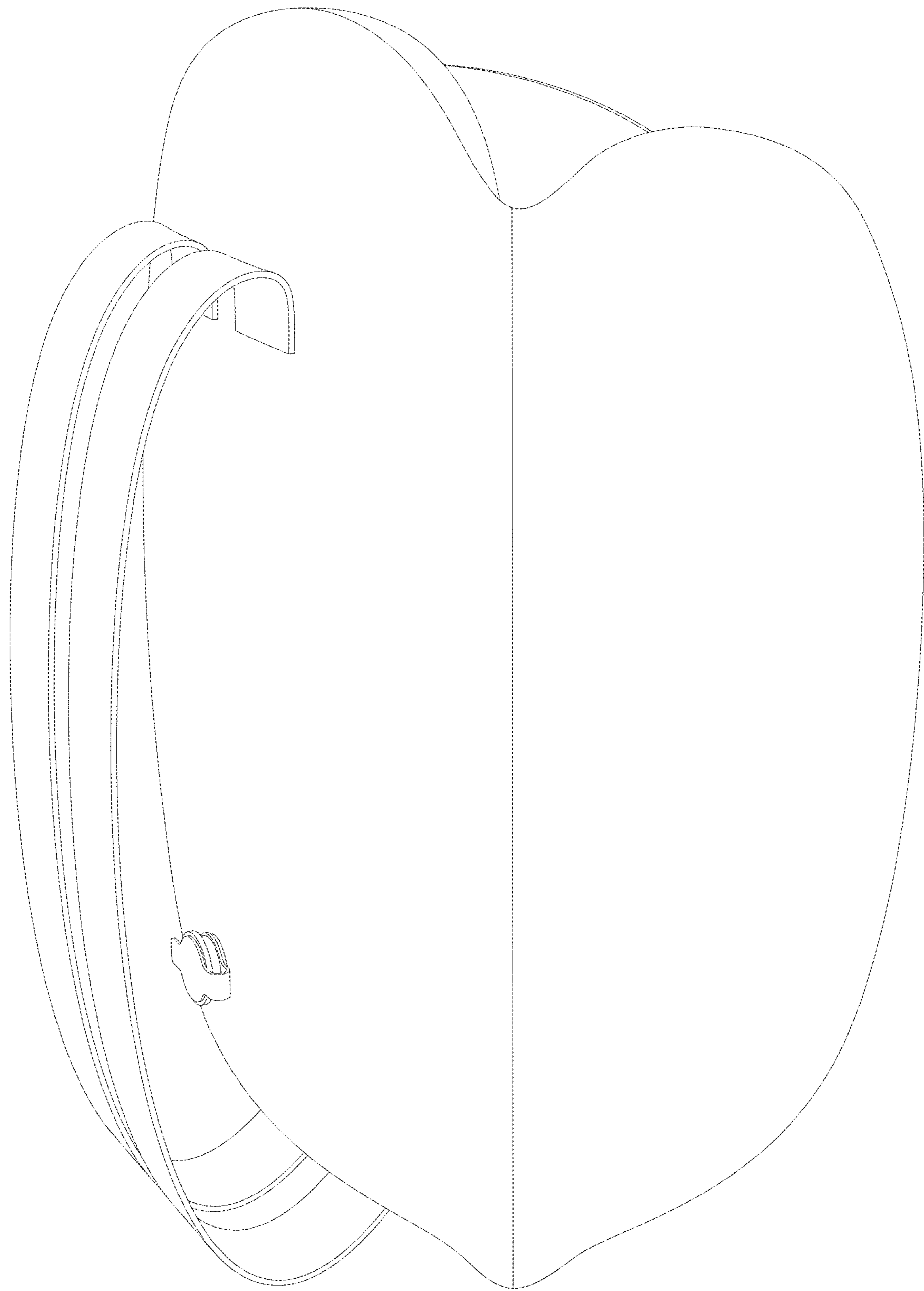


FIG. 4

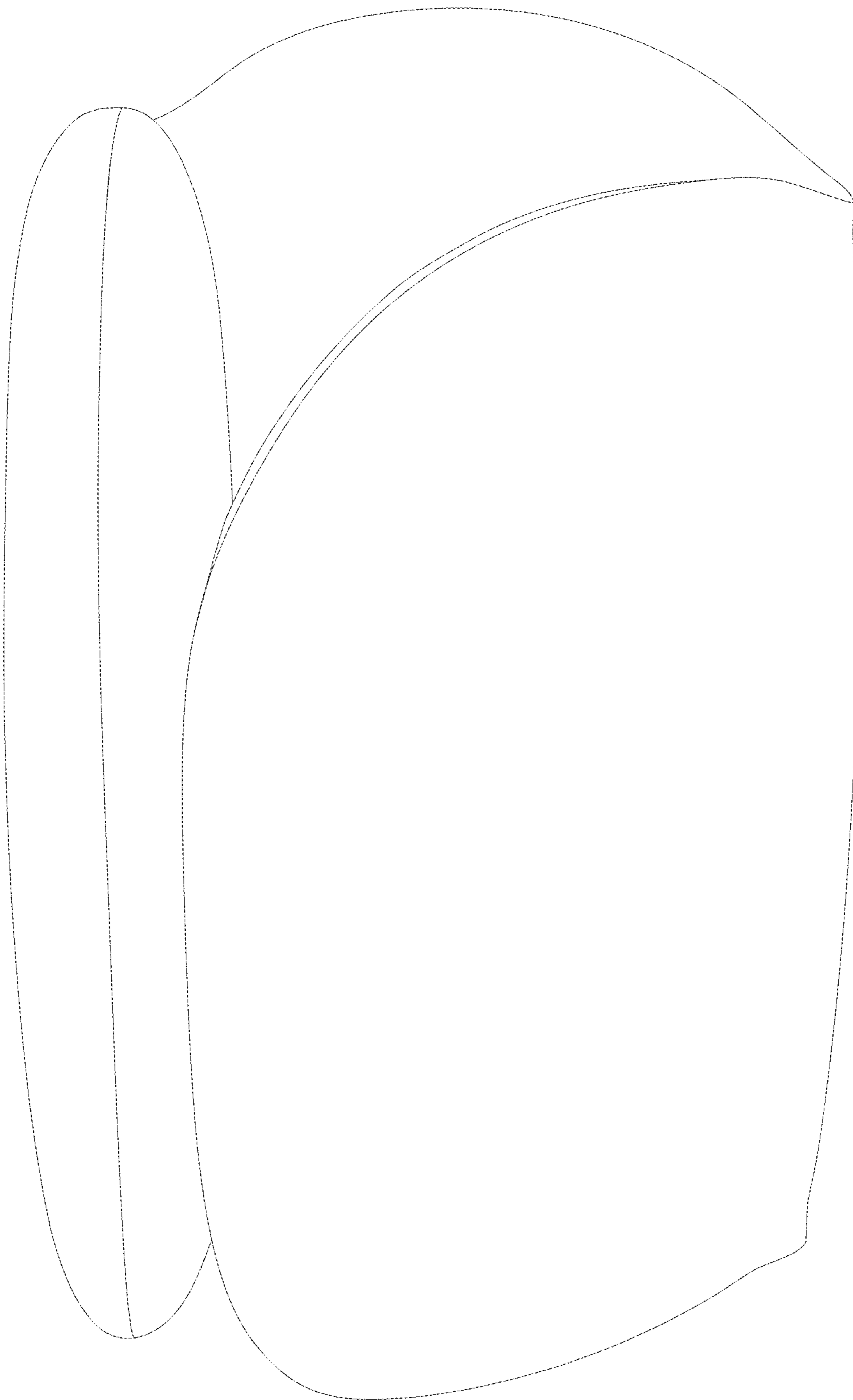


FIG. 5

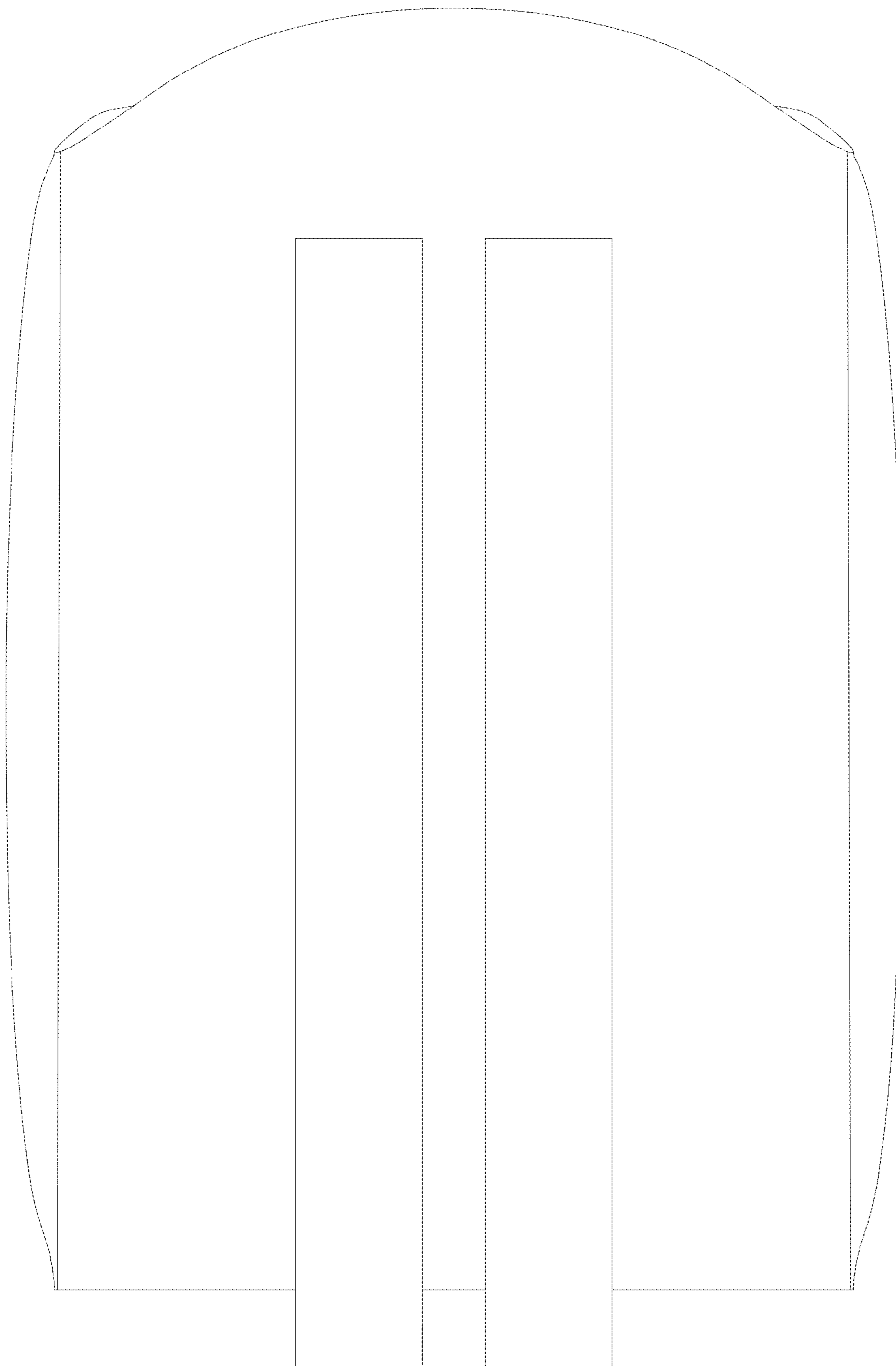


FIG. 6

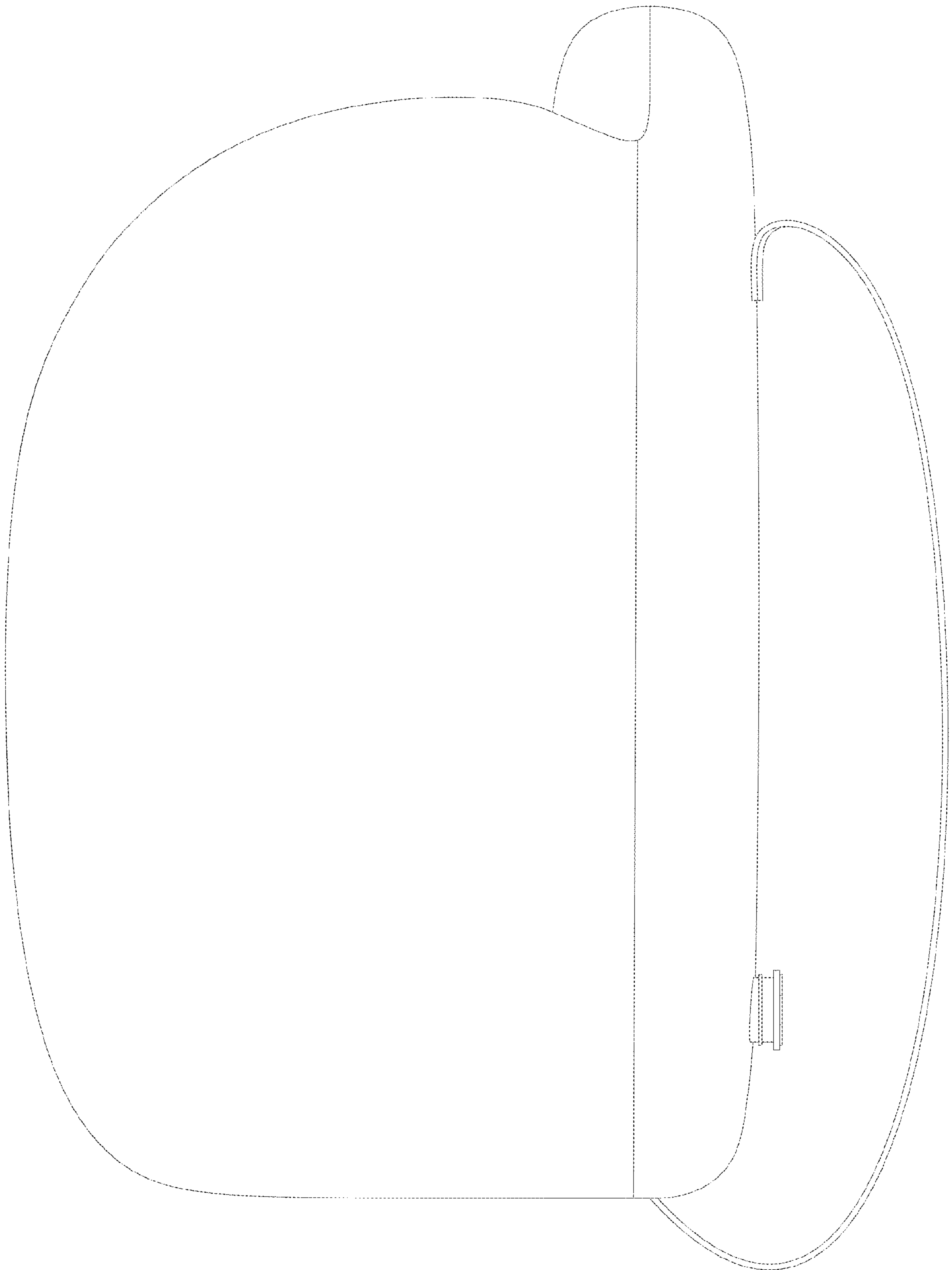


FIG. 7



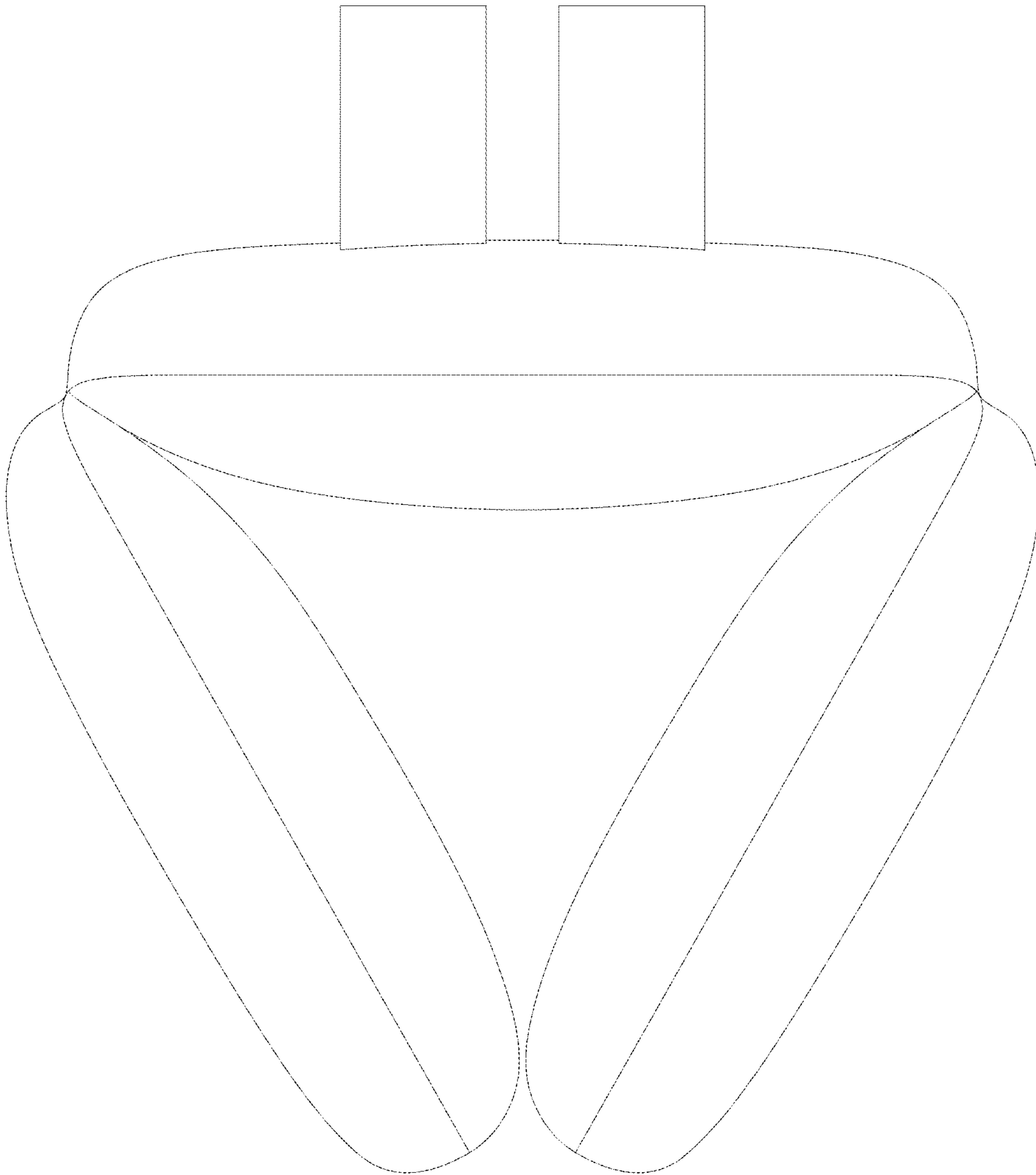


FIG. 8

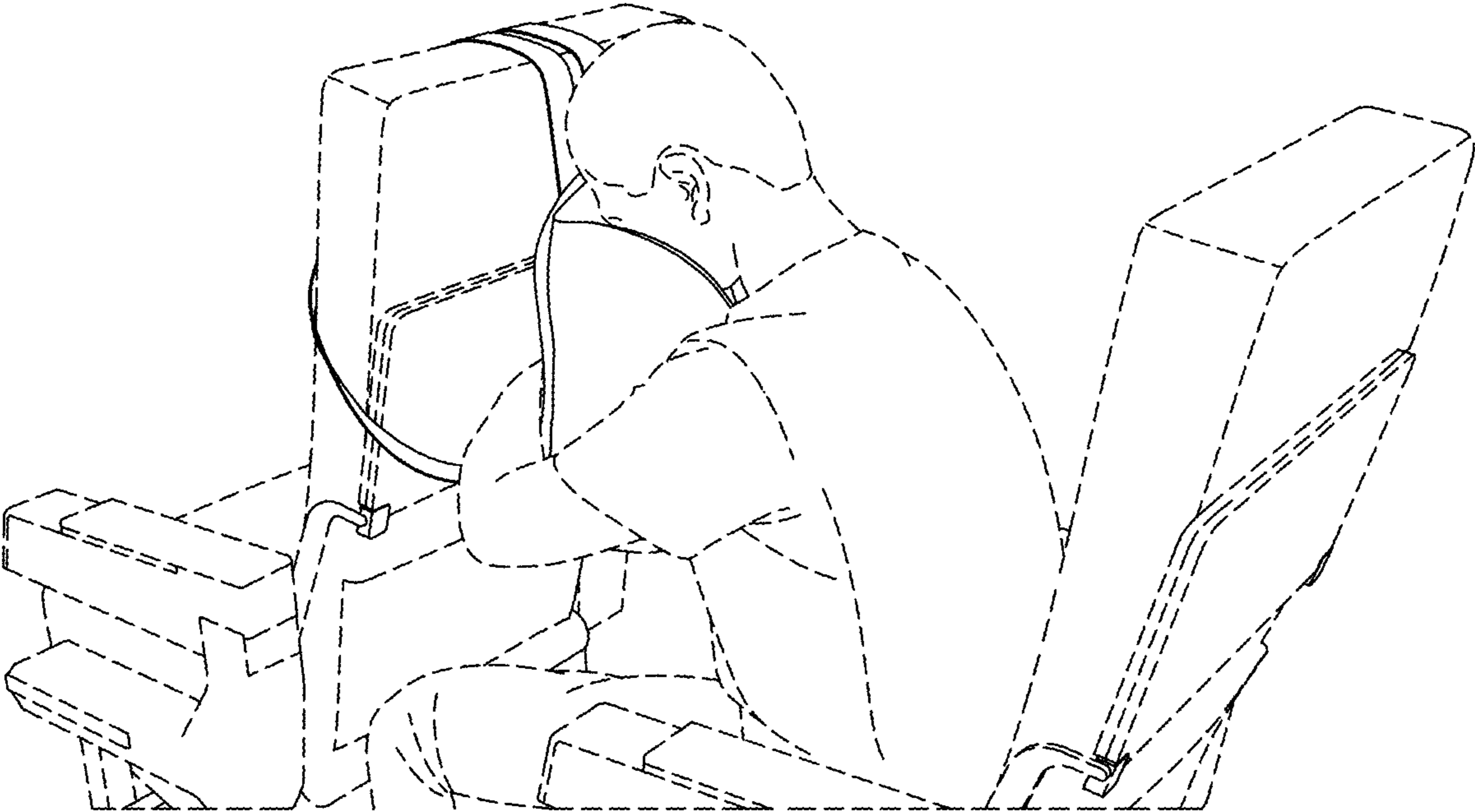


FIG. 9

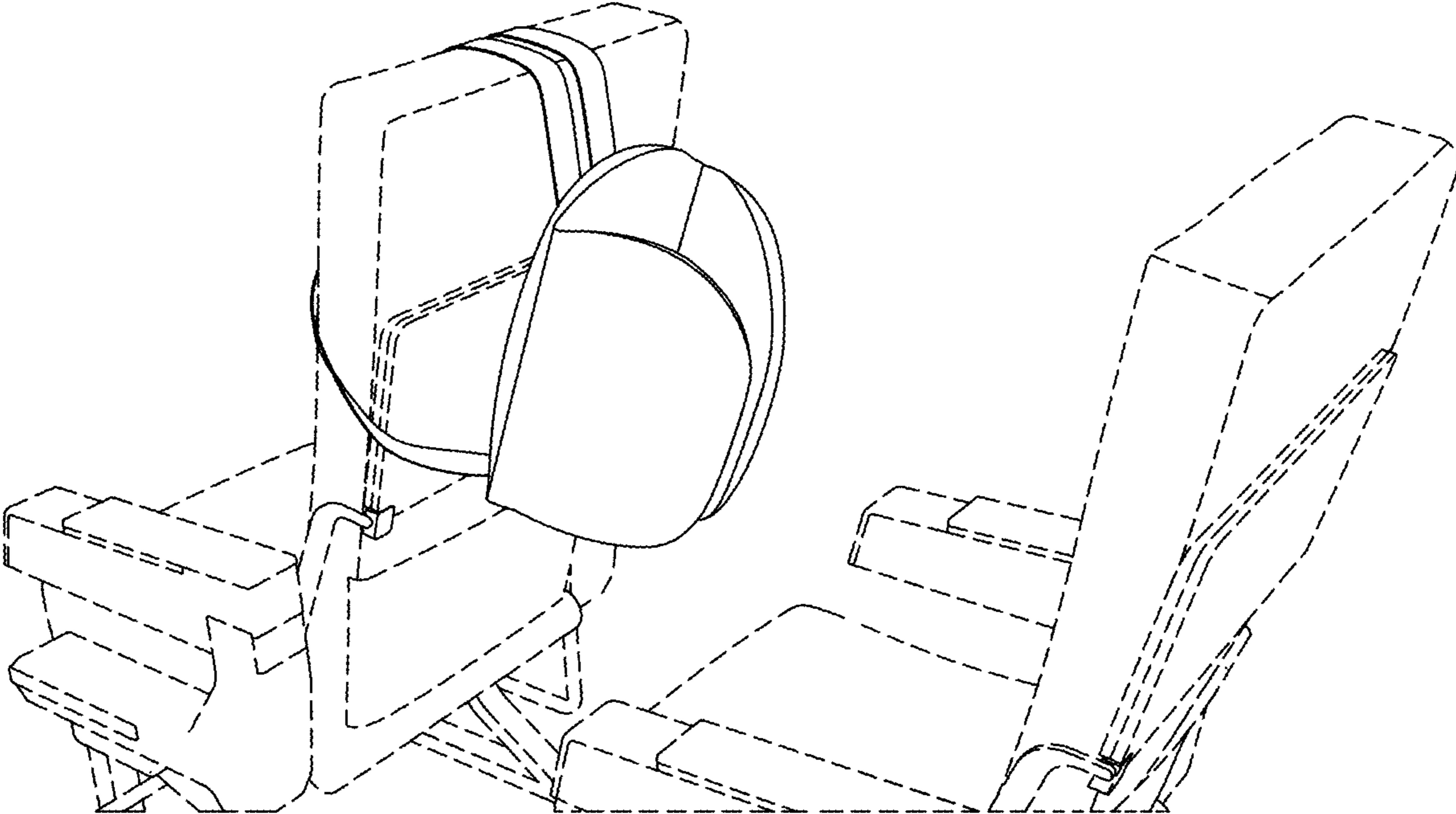


FIG. 10

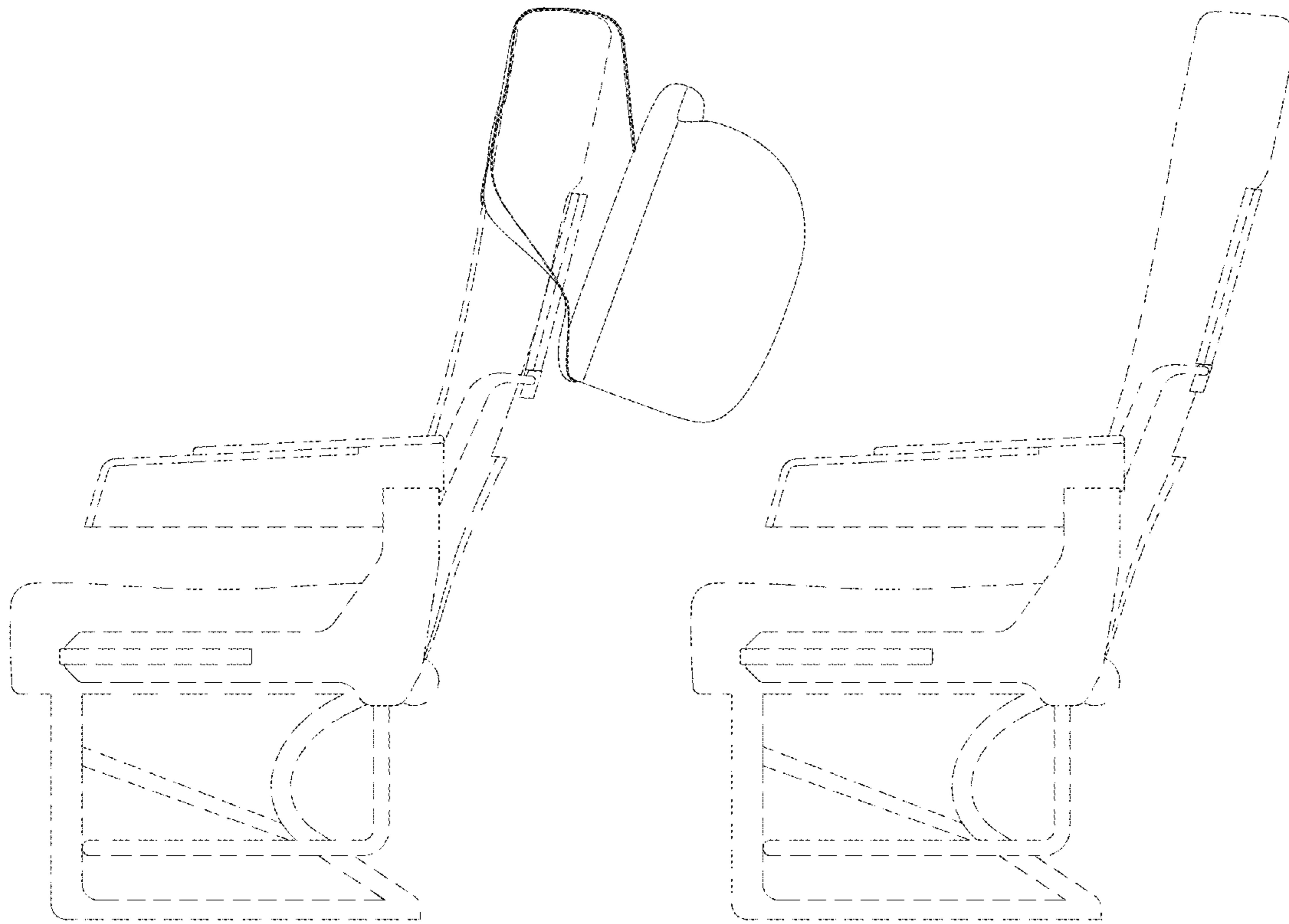


FIG. 11

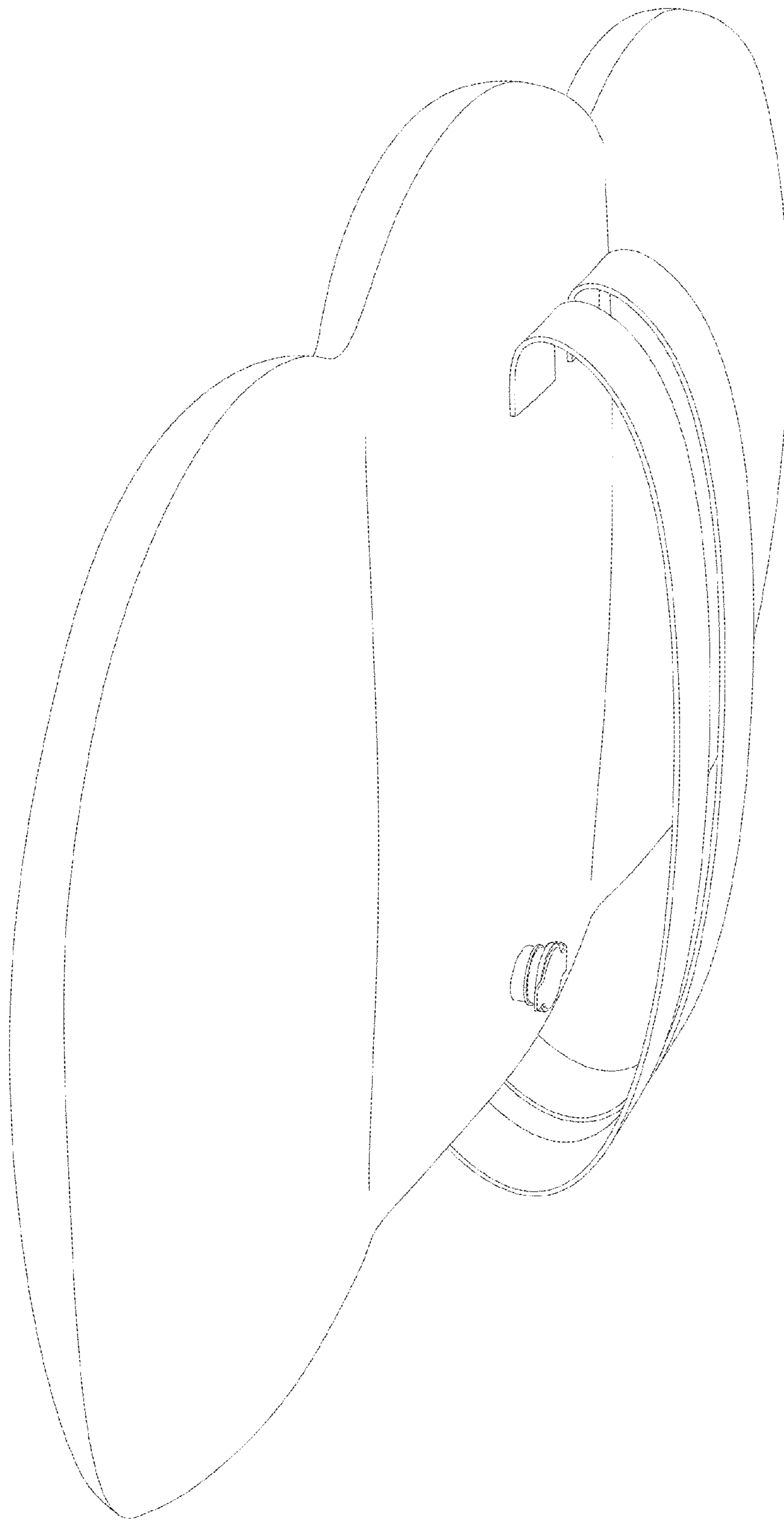


FIG. 12