

US00D911064S

(12) **United States Design Patent**  
**Holt et al.**

(10) **Patent No.:** **US D911,064 S**  
(45) **Date of Patent:** **\*\* Feb. 23, 2021**

(54) **RAIL WITH END CAP FOR AN ARCHITECTURAL COVERING**

E06B 9/307; E06B 9/322; E06B 9/323;  
E06B 9/324; E06B 9/386; E06B 9/388;  
E06B 9/40; E06B 9/42; E06B 9/521;  
E06B 9/56; E06B 9/60; E06B 9/78

(71) Applicant: **Hunter Douglas Inc.**, Pearl River, NY (US)

See application file for complete search history.

(72) Inventors: **Ronald Holt**, Westminster, CO (US);  
**Stephen Wisecup**, Niwot, CO (US);  
**Arnold Decarlo**, Frederick, CO (US);  
**Fred Bould**, Menlo Park, CA (US);  
**Kwan Hon Anson Cheung**, San Francisco, CA (US)

(56) **References Cited**

U.S. PATENT DOCUMENTS

320,245 A \* 6/1885 Hamm ..... E06B 9/40  
160/238  
671,755 A \* 4/1901 Campbell ..... A47H 23/01  
160/393  
738,691 A 9/1903 Michael  
1,436,209 A 11/1922 Stegemeyer  
1,446,837 A 2/1923 Cutright

(Continued)

(73) Assignee: **Hunter Douglas Inc.**, Pearl River, NY (US)

*Primary Examiner* — Kevin K Rudzinski

*Assistant Examiner* — Clare Ann Gannon

(\*\*) Term: **15 Years**

(74) *Attorney, Agent, or Firm* — Leason Ellis LLP

(21) Appl. No.: **29/699,162**

(22) Filed: **Jul. 23, 2019**

**Related U.S. Application Data**

(62) Division of application No. 29/581,048, filed on Oct. 14, 2016, now Pat. No. Des. 858,139.

(51) **LOC (13) Cl.** ..... **06-10**

(52) **U.S. Cl.**  
USPC ..... **D6/580**

(58) **Field of Classification Search**

USPC ..... D6/575-581; D8/358; D13/155;  
D25/119, 121, 123, 125; D26/138  
CPC . A47H 1/02; A47H 1/04; A47H 1/144; A47H  
11/06; A47H 2001/042; A47H 2023/003;  
A47H 2023/025; A47H 23/00; A47H  
23/01; A47H 23/02; A47H 3/02; A47H  
3/06; A47H 3/08; A47H 3/10; A47H  
5/00; A47H 5/03; A47H 5/032; A47H  
5/06; A47H 5/08; E06B 9/17; E06B  
2009/2622; E06B 2009/285; E06B 7/28;  
E06B 9/24; E06B 9/26; E06B 9/262;  
E06B 9/30; E06B 9/302; E06B 9/306;

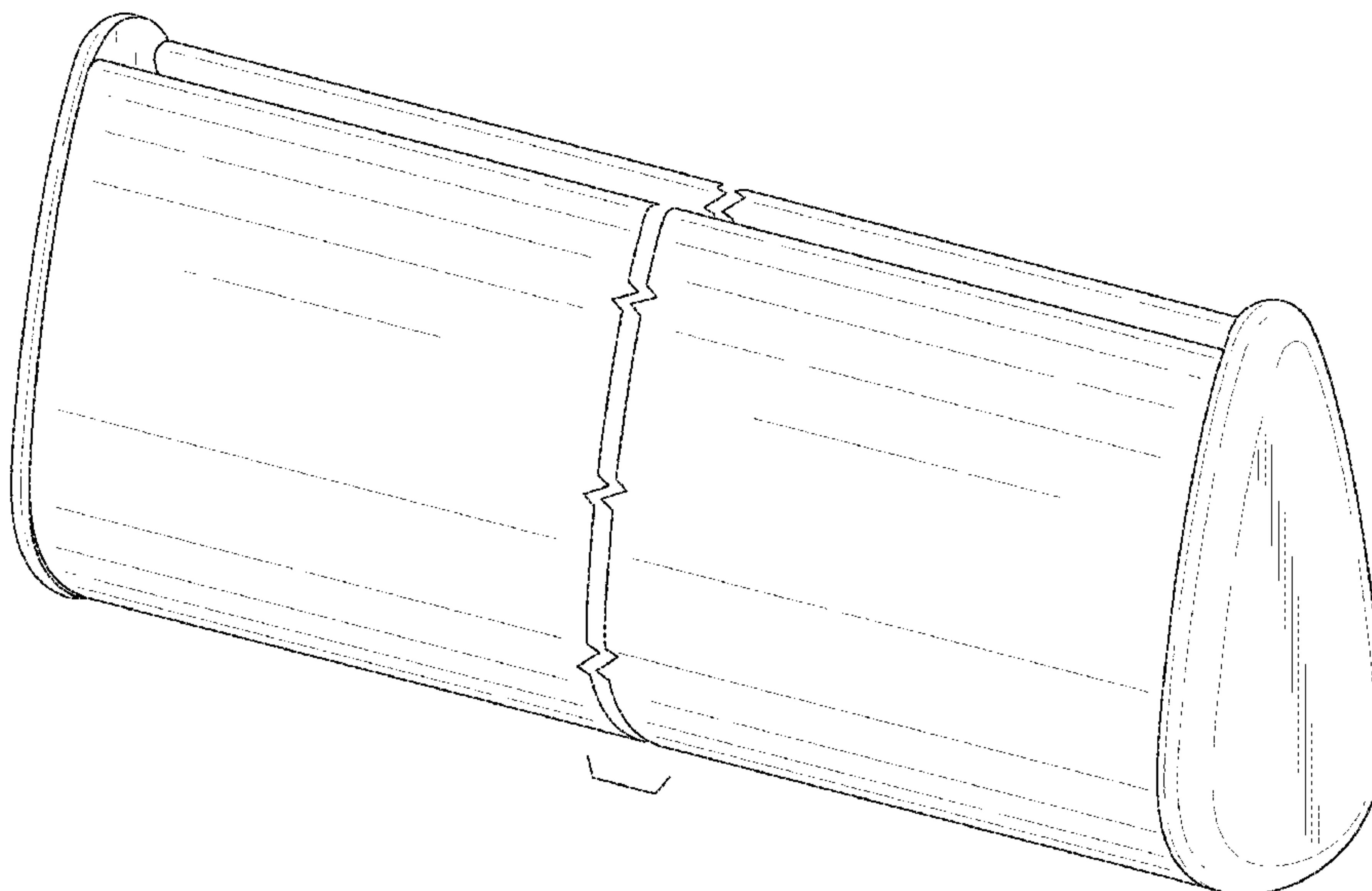
(57) **CLAIM**

We claim the ornamental design for a rail with end cap for an architectural covering, as shown and described.

**DESCRIPTION**

FIG. 1 is an isometric view of a rail with end cap for an architectural covering in accordance with the present design. FIG. 2 is a front elevational view thereof. FIG. 3 is a rear elevational view thereof. FIG. 4 is a right side elevational view thereof. FIG. 5 is a left side elevational view thereof. FIG. 6 is a top plan view thereof; and, FIG. 7 is a bottom plan view thereof. The break lines symbolize breaks in the length of the article in which the claimed design is embodied. The appearance of any portion of the article between the break lines forms no part of the claimed design.

**1 Claim, 5 Drawing Sheets**



# US D911,064 S

(56)

## References Cited

### U.S. PATENT DOCUMENTS

1,757,017 A	5/1930	Matovitz		D843,131 S *	3/2019	Chou	D6/580
1,782,905 A	11/1930	Mohun		D858,139 S *	9/2019	Holt	A47H 23/01 D6/580
2,138,441 A *	11/1938	Bombard	A47H 23/01 160/290.1	2006/0137830 A1	6/2006	Lin	
D244,695 S	6/1977	Lindblad		2006/0219373 A1	10/2006	McKinney	
4,687,041 A	8/1987	Anderson		2006/0219374 A1	10/2006	McKinney	
D306,771 S	3/1990	Gecchelin		2008/0035281 A1	2/2008	Kirby	
D328,187 S	7/1992	Saurette		2009/0283226 A1 *	11/2009	Cheng	E06B 9/60 160/313
D335,438 S	5/1993	Riegelman		2011/0049071 A1	3/2011	Hart et al.	
5,647,421 A	7/1997	Hoffmann et al.		2011/0126993 A1 *	6/2011	Allsopp	E04F 10/0633 160/323.1
D412,635 S	8/1999	Eiling		2012/0048262 A1	3/2012	Chang	
D442,272 S	5/2001	Gabriele		2012/0085503 A1	4/2012	Kotin	
D449,192 S	10/2001	Sheward		2012/0097346 A1 *	4/2012	Ng	E06B 9/388 160/264
D452,403 S	12/2001	Sudano		2012/0291964 A1	11/2012	Marocco	
D469,330 S	1/2003	Novoa		2012/0291965 A1	11/2012	Marocco	
6,876,493 B1	4/2005	Lin		2014/0311686 A1	10/2014	Yu	
6,978,821 B2	12/2005	Welfonder		2015/0047792 A1	2/2015	Lukosiunas	
D522,787 S *	6/2006	Dekker	D6/575	2015/0292261 A1	10/2015	Chou	
D530,131 S	10/2006	Chatham		2015/0322715 A1 *	11/2015	Chou	E06B 9/24 160/321
D582,571 S *	12/2008	Bergmann	D25/124	2016/0183707 A1 *	6/2016	Fenster	A47H 23/01 160/350
7,458,175 B2	12/2008	Meyer		2016/0237743 A1 *	8/2016	Holt	E06B 9/262
7,510,111 B2	3/2009	Mikkelsen et al.		2016/0273261 A1	9/2016	Pardue	
D600,401 S	9/2009	Varrin		2017/0009519 A1 *	1/2017	Marocco	E06B 9/44
8,291,962 B2	10/2012	Allsopp et al.		2017/0081913 A1	3/2017	Chou	
D670,946 S	11/2012	Ng		2017/0175819 A1	6/2017	Ng	
D686,434 S *	7/2013	Marocco	D6/575	2017/0292320 A1	10/2017	Chou	
D692,685 S *	11/2013	Chou	D6/580	2018/0106101 A1	4/2018	Holt	
9,004,142 B2	4/2015	Marocco		2018/0128045 A1	5/2018	Hunsinger	
9,062,493 B2	6/2015	Marocco		2019/0264499 A1 *	8/2019	McNeill	A47H 23/01
D742,138 S *	11/2015	Chou	D6/580	2019/0352963 A1 *	11/2019	Jang	E06B 9/80
D770,643 S	11/2016	Shargani					
9,598,896 B1	3/2017	Pichik					
D793,765 S *	8/2017	Chou	D6/580				

\* cited by examiner

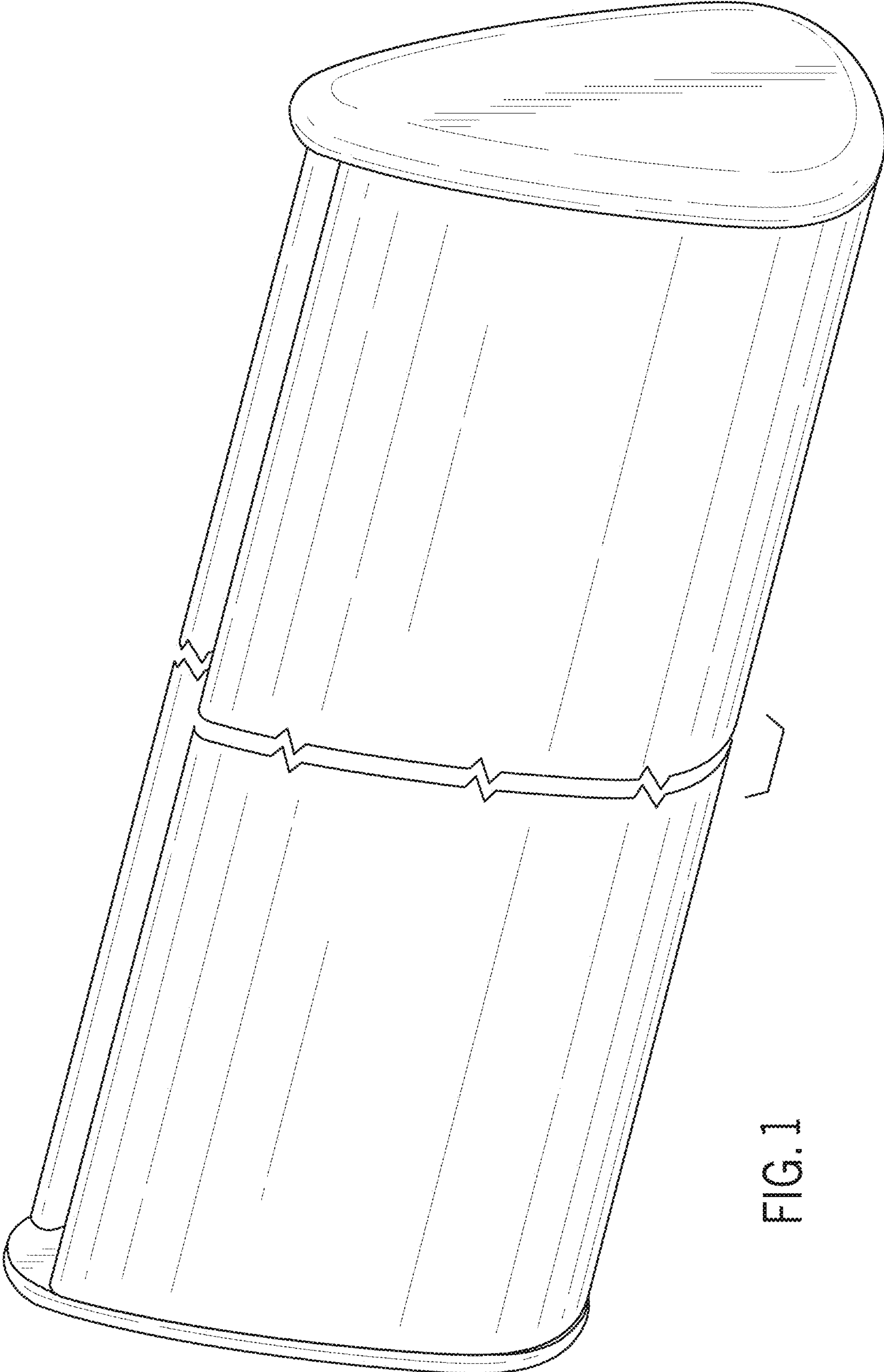


FIG. 1

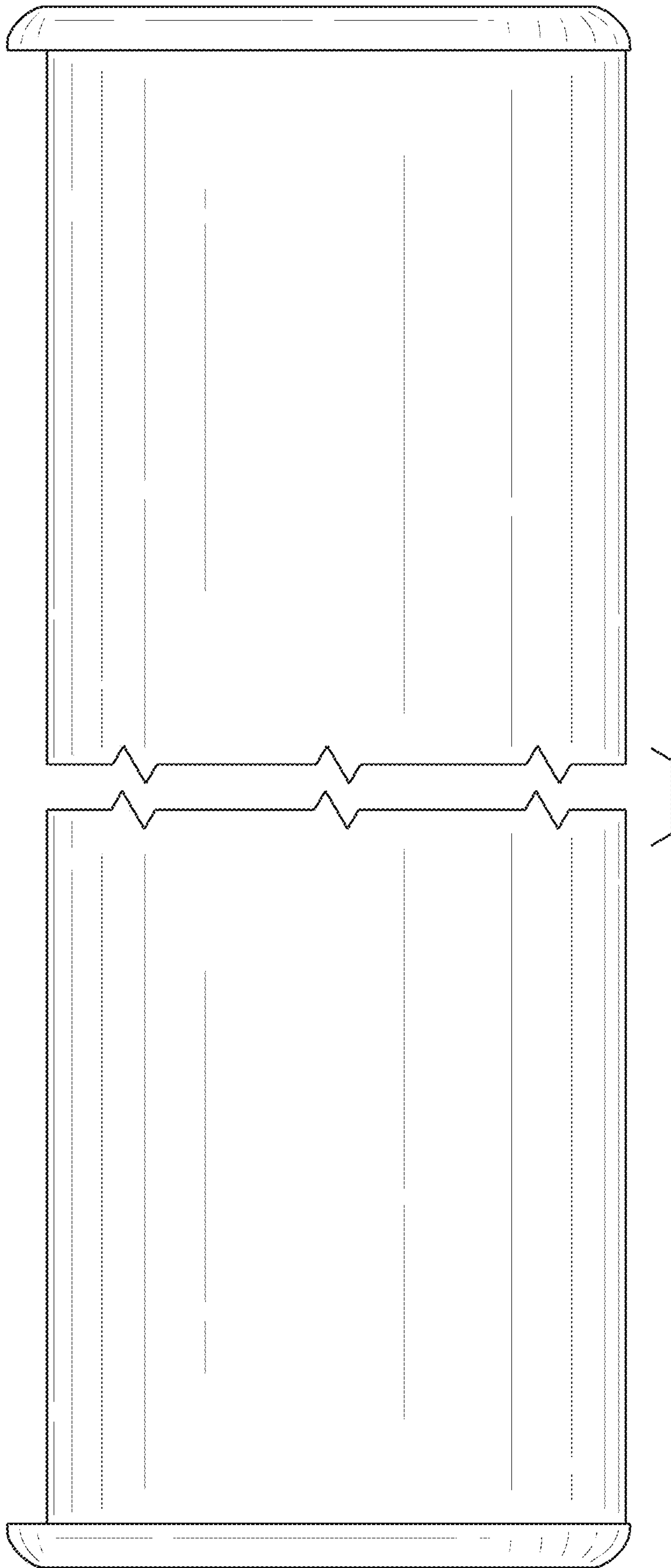


FIG. 2



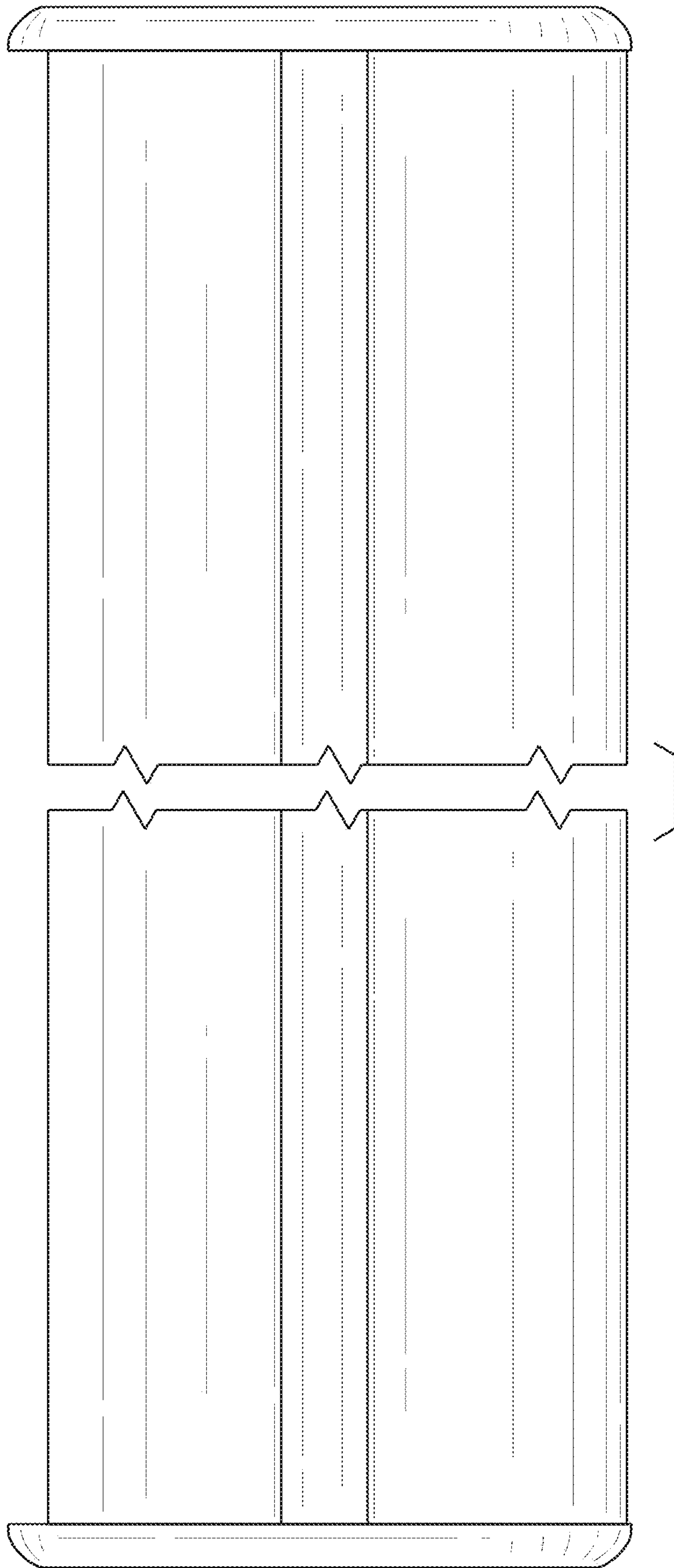


FIG. 3

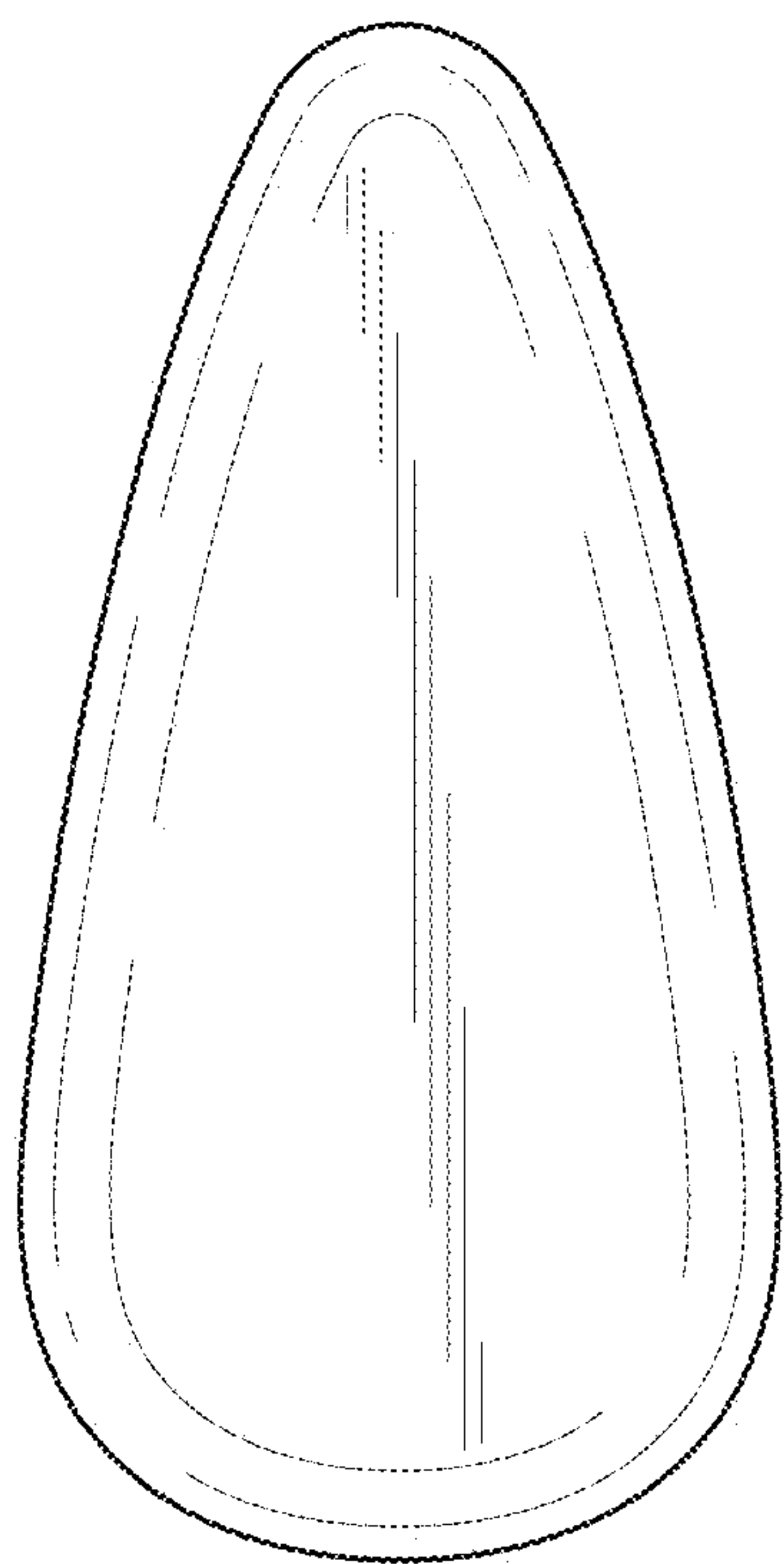


FIG. 4

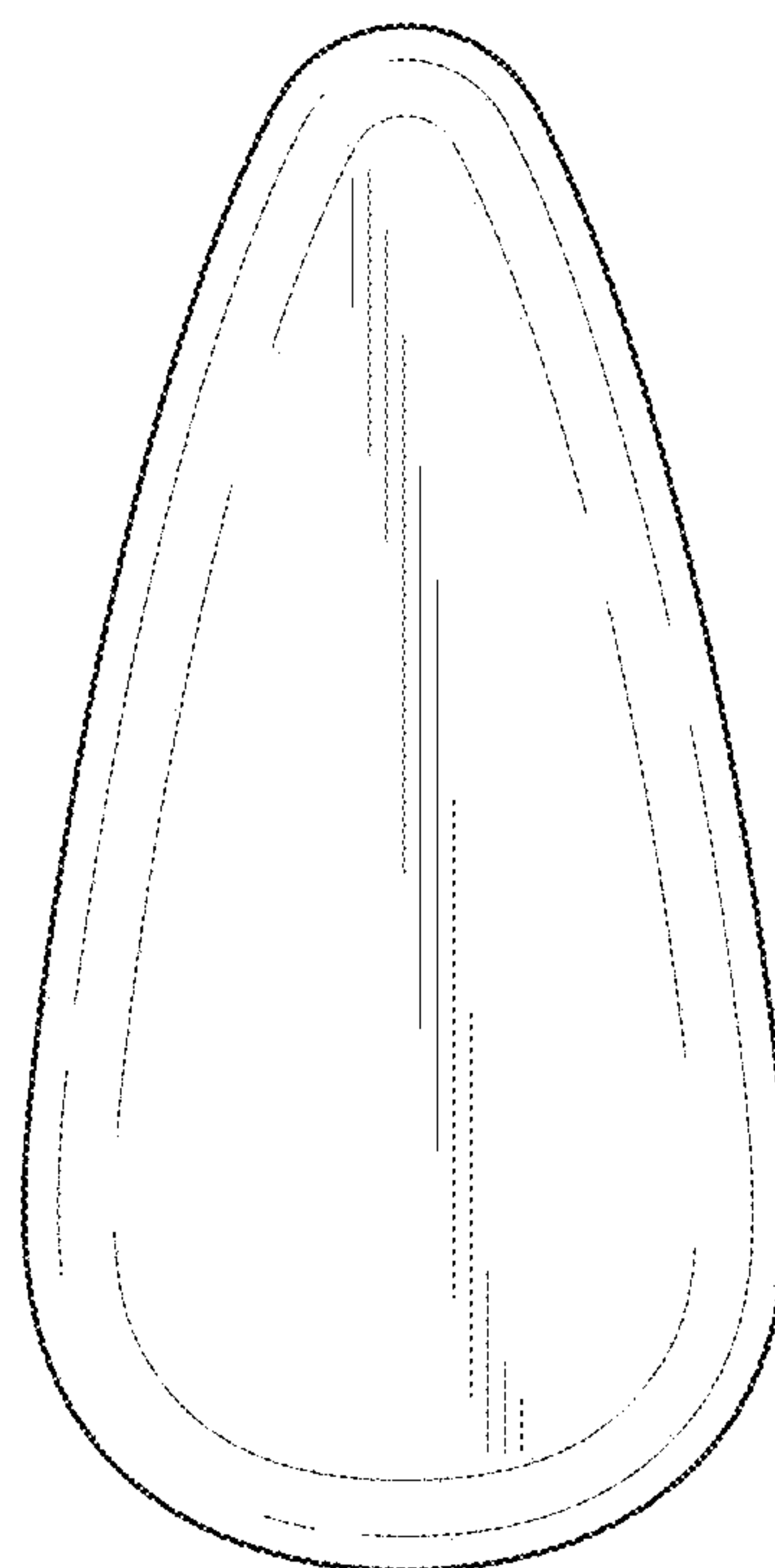


FIG. 5

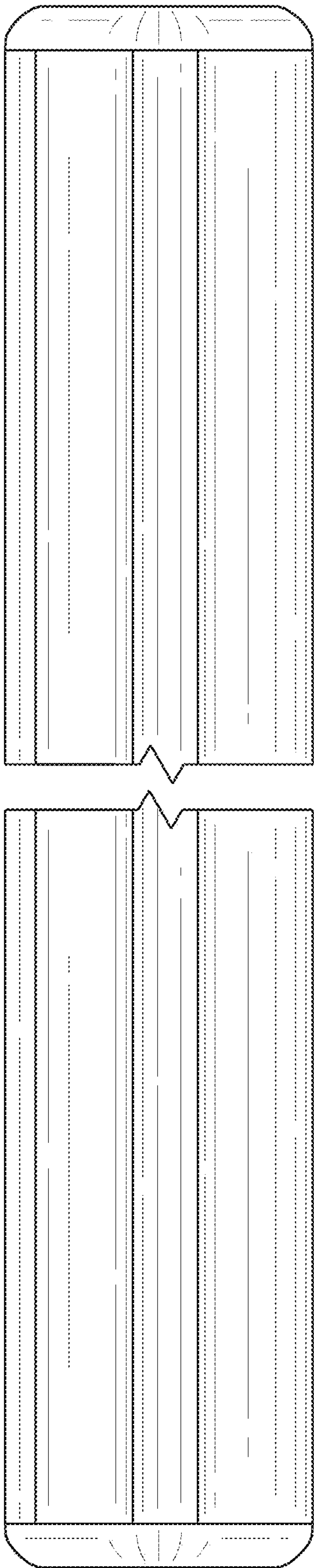


FIG. 6

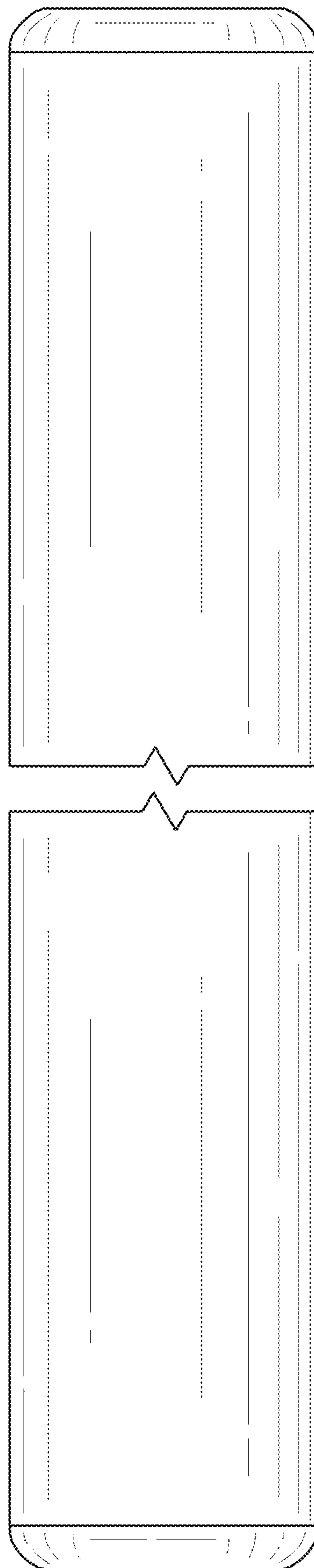


FIG. 7