



US00D911061S

(12) **United States Design Patent** (10) **Patent No.:** **US D911,061 S**
Sullins (45) **Date of Patent:** **** Feb. 23, 2021**

- (54) **LAP DESK LAP PAD**
- (71) Applicant: **Patrick Hogan Sullins**, Arlington, TX (US)
- (72) Inventor: **Patrick Hogan Sullins**, Arlington, TX (US)
- (73) Assignee: **Creative Manufacturing, LLC**, Arlington, TX (US)
- (**) Term: **15 Years**
- (21) Appl. No.: **29/705,740**
- (22) Filed: **Sep. 15, 2019**
- (51) **LOC (13) Cl.** **06-06**
- (52) **U.S. Cl.**
USPC **D6/406.5**
- (58) **Field of Classification Search**
USPC D6/406.1, 406.3, 406.5, 406.6, 512, D6/685-686, 691, 704, 705; D7/550.1, D7/552.2, 554.3, 555
CPC A47G 23/06; A47G 23/08; A47G 29/0608; A47B 19/08; A47B 23/00; A47B 23/001
See application file for complete search history.

- (56) **References Cited**
U.S. PATENT DOCUMENTS
1,742,447 A * 1/1930 McKeag B60N 2/783 296/153
D322,394 S * 12/1991 Grandesso D30/112
5,341,531 A * 8/1994 Straub A47D 13/08 5/655
D390,530 S * 2/1998 Robinson D12/421
D407,266 S * 3/1999 Silva D30/108
D408,388 S * 4/1999 Wiggins D14/457
D471,934 S * 3/2003 Linko, Sr. D20/41
D512,245 S * 12/2005 Bean D6/406.3
D583,164 S * 12/2008 Jennings D6/406.6
D595,980 S * 7/2009 Walters D6/601
D606,774 S * 12/2009 Kohli D6/406.6

- D609,027 S * 2/2010 Jennings D6/406.5
- D619,823 S * 7/2010 Jennings D6/406.3
- D639,860 S * 6/2011 Rodgers D20/10
- D663,546 S * 7/2012 Jennings D6/406.3
- D836,937 S * 1/2019 Sullins D6/406.3
- D843,752 S * 3/2019 Sullins D6/406.5
- D853,147 S * 7/2019 Chen D6/406.5
- D887,166 S * 6/2020 Ren D6/406.5
- 2015/0091357 A1 * 4/2015 Register A47C 7/546 297/411.23
- 2020/0229622 A1 * 7/2020 Jennings A47G 9/1009

* cited by examiner

Primary Examiner — Kelley A Donnelly
(74) Attorney, Agent, or Firm — Guy V. Manning

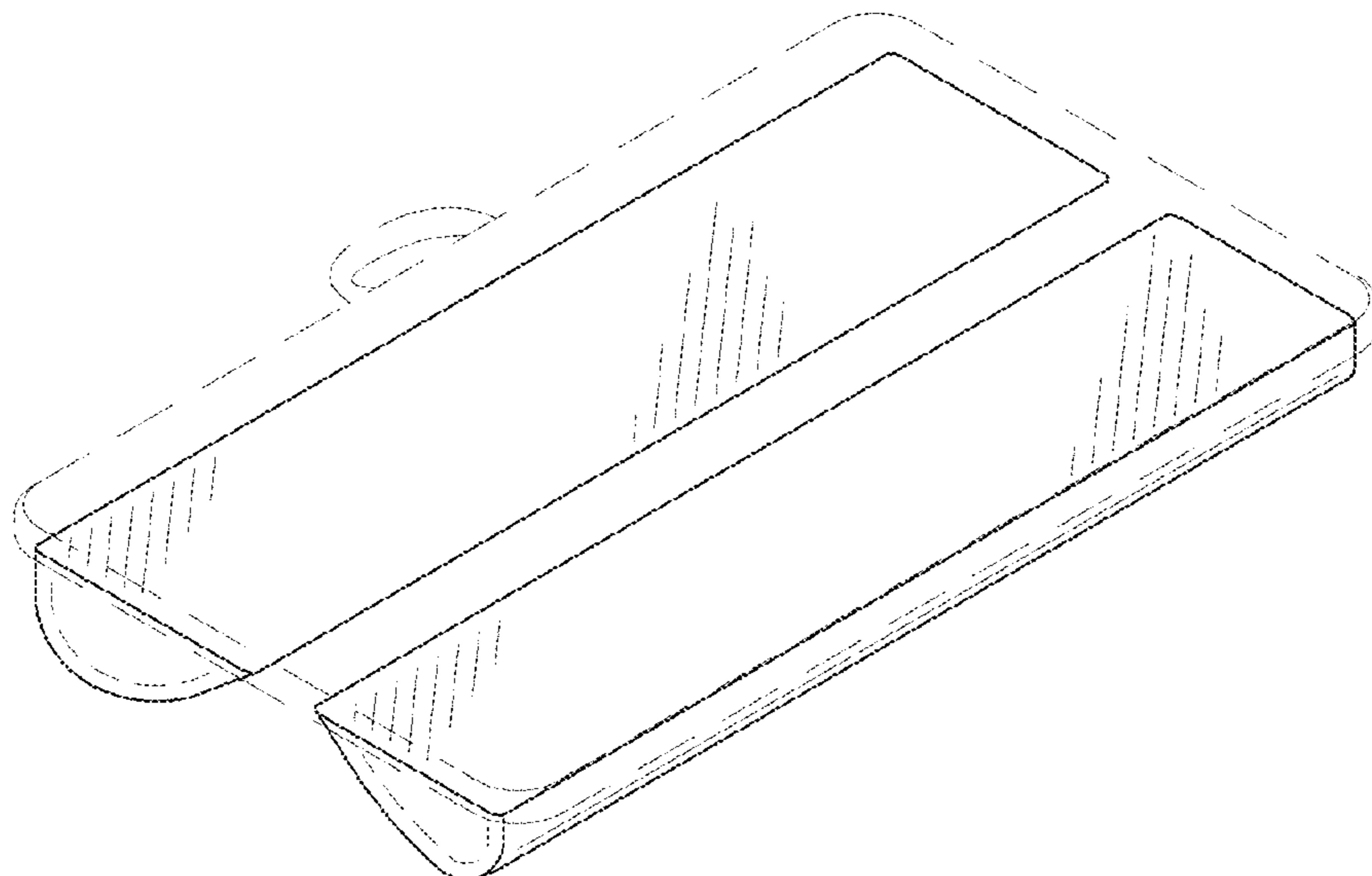
(57) **CLAIM**

The ornamental design for a lap desk lap pad, as shown and described.

DESCRIPTION

FIG. 1 is a top, left front, quartering perspective view of a new design for a lap desk lap pad;
 FIG. 2 is a bottom, right front, quartering perspective view of the new design shown in FIG. 1;
 FIG. 3 is a top plan view of the new design shown in FIG. 1;
 FIG. 4 is a bottom plan view of the new design shown in FIG. 1;
 FIG. 5 is a rear elevational view of the new design shown in FIG. 1;
 FIG. 6 is a front elevational view of the new design shown in FIG. 1;
 FIG. 7 is a right side elevational view of the new design shown in FIG. 1; and,
 FIG. 8 is a left side elevational view of the new design shown in FIG. 1.
 Long-dashed broken lines included within the figures represent environmental structure only and do not form part of the claimed design.

1 Claim, 4 Drawing Sheets



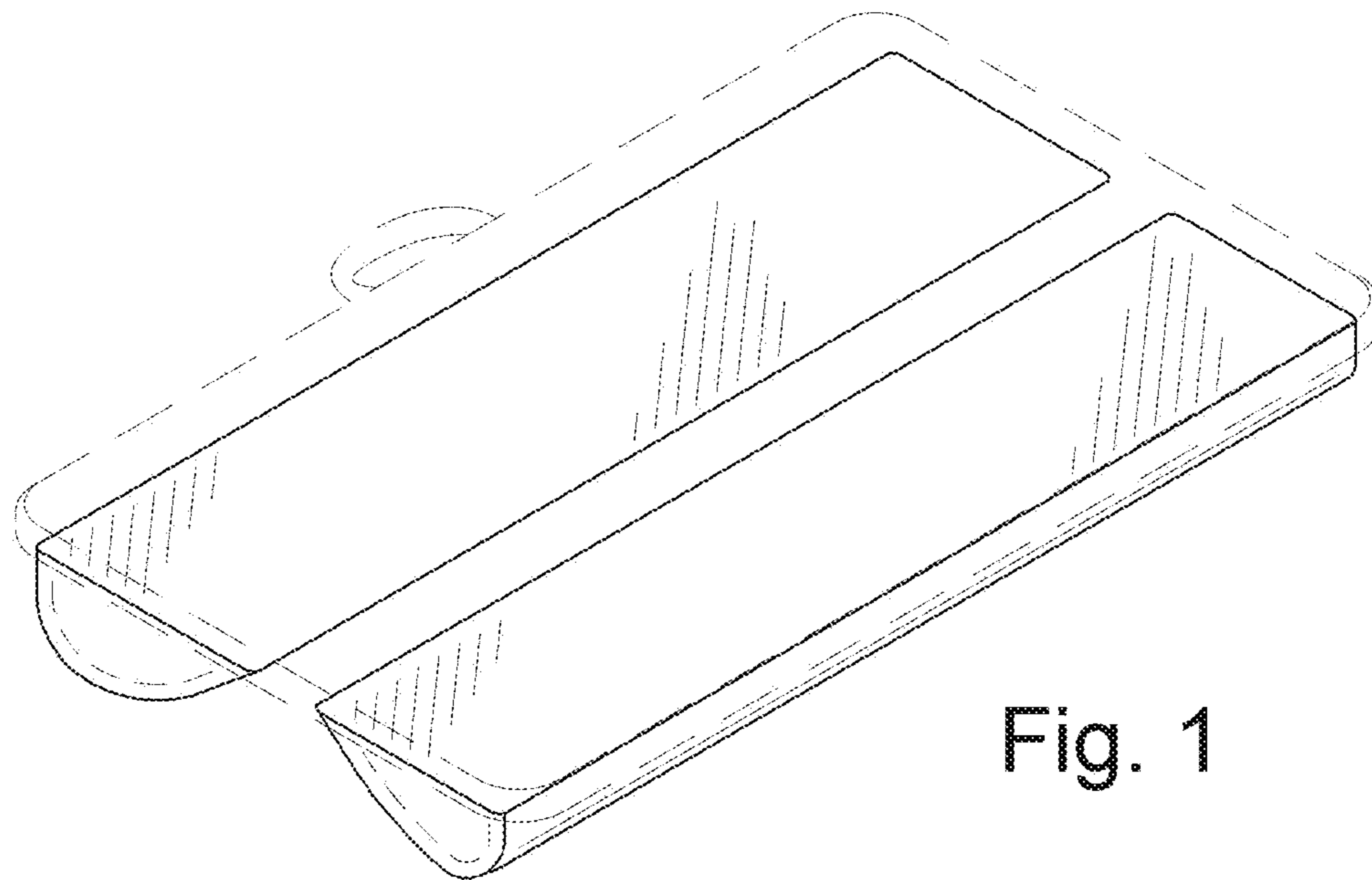


Fig. 1

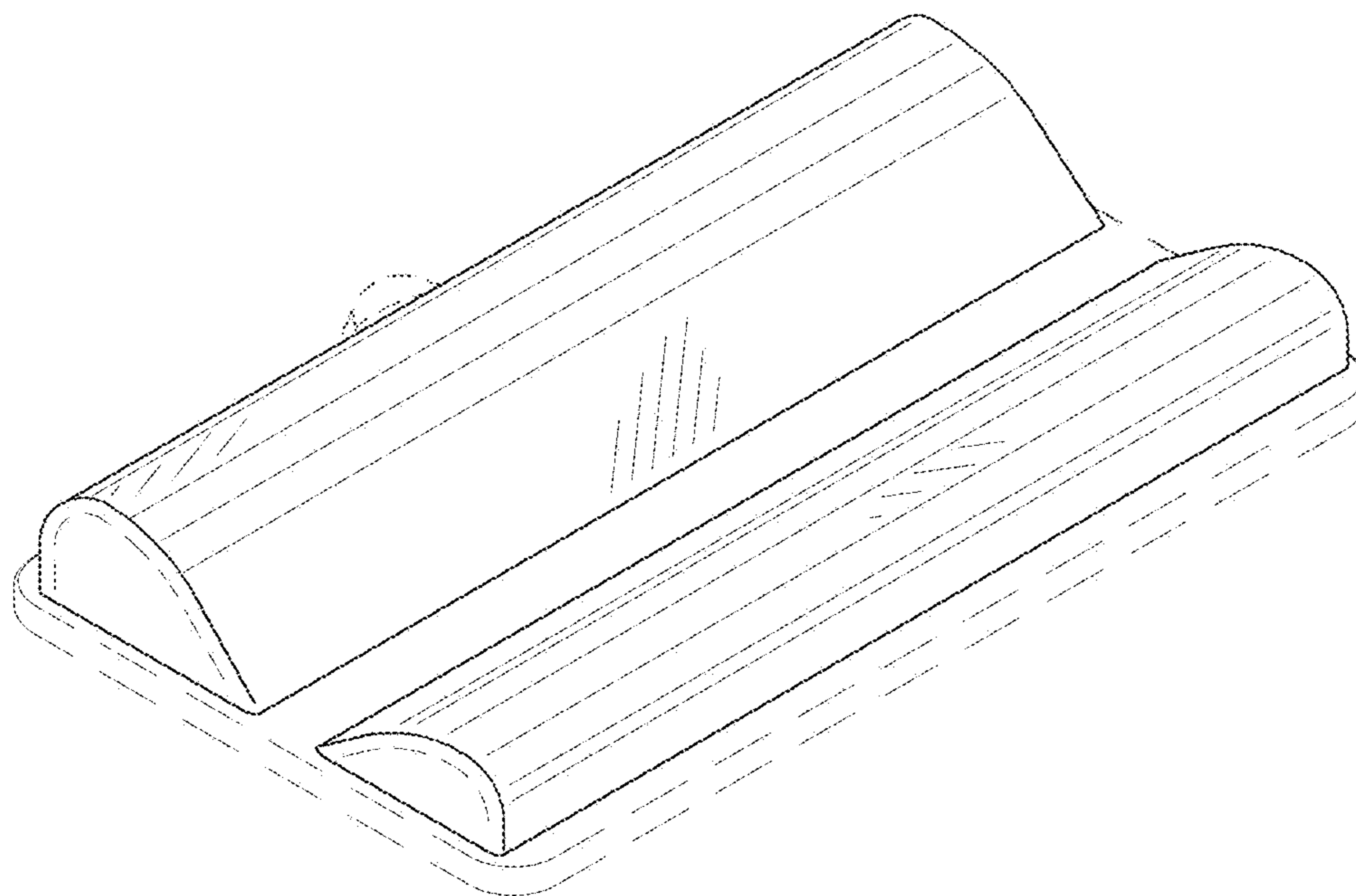


Fig. 2

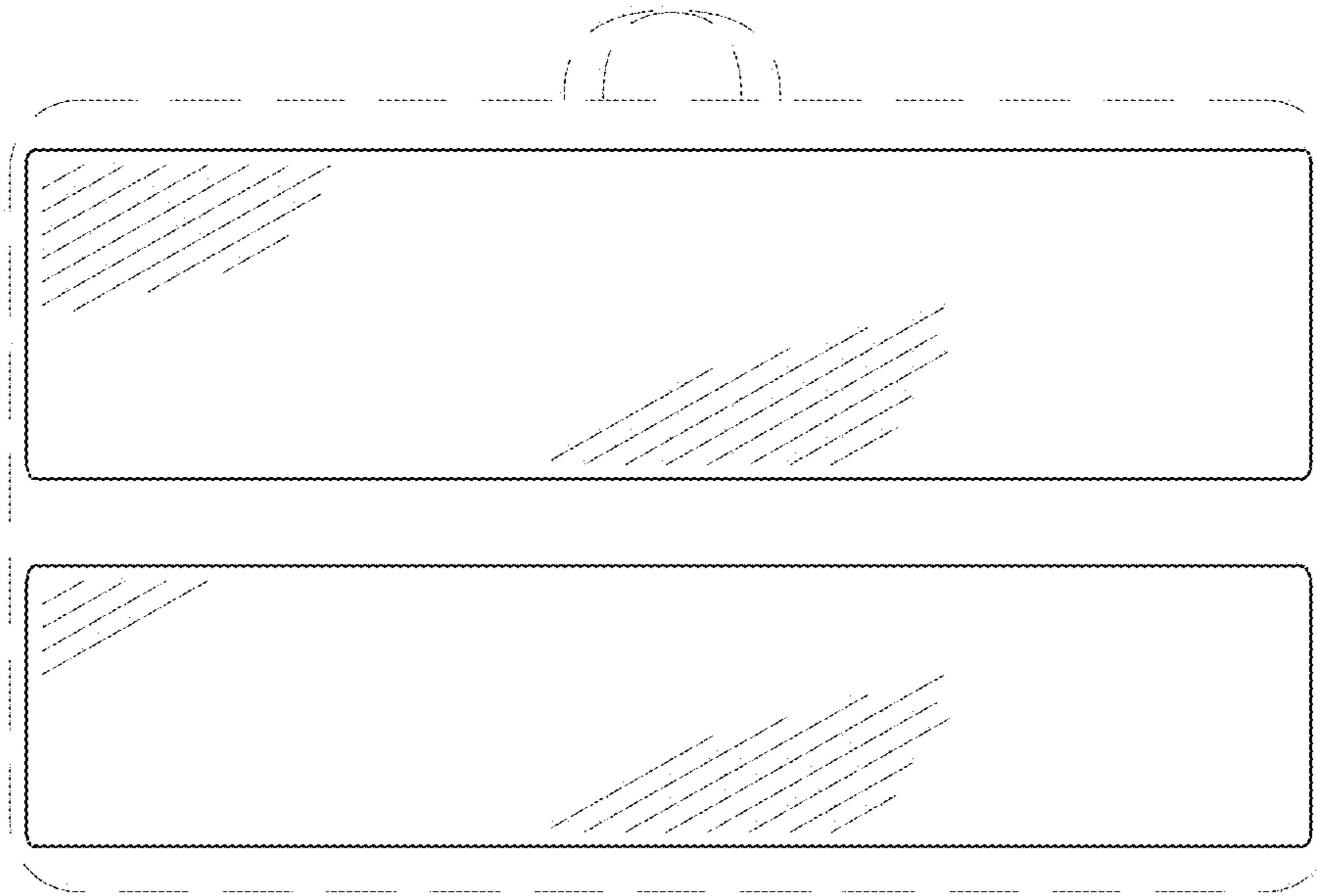


Fig. 3

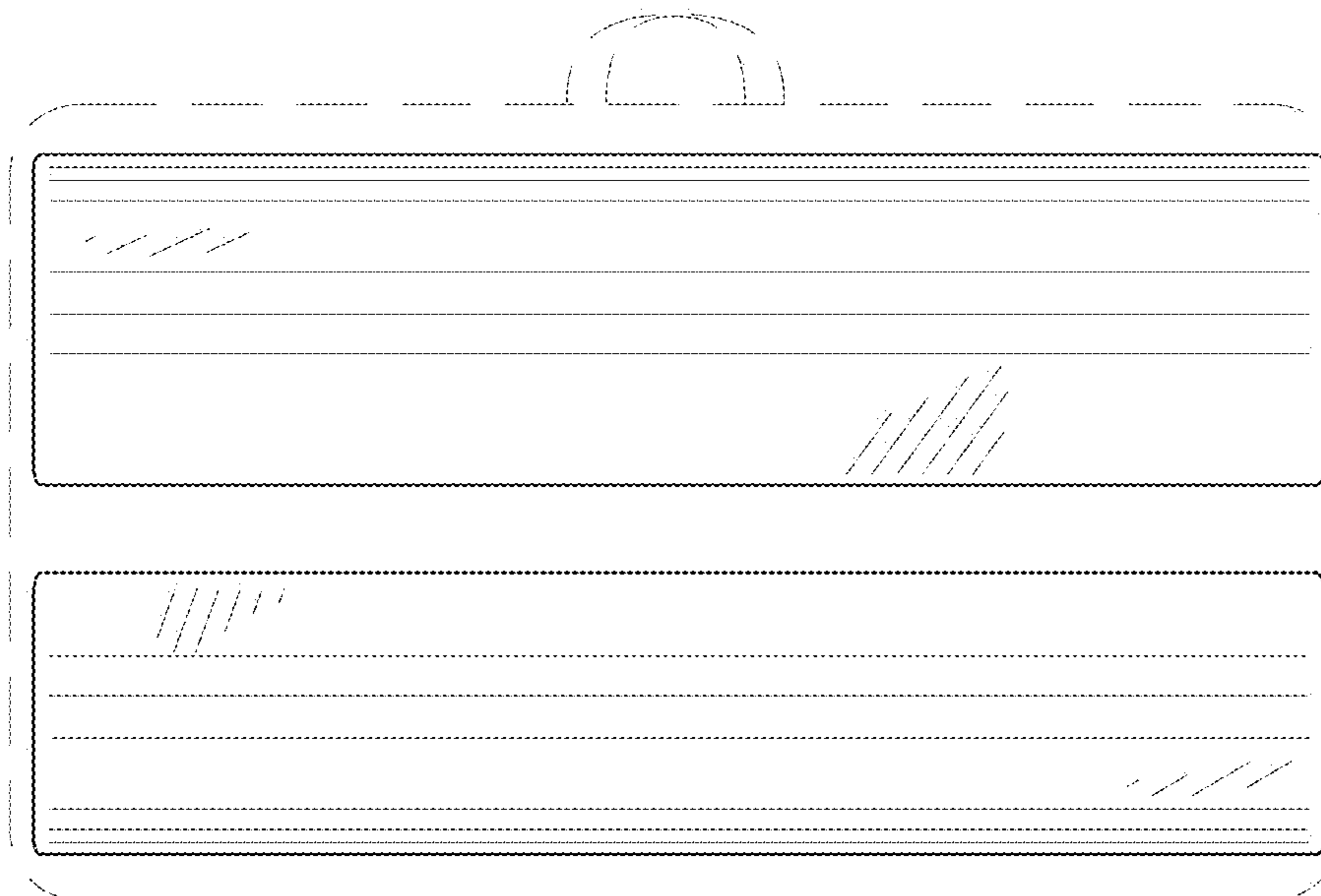


Fig. 4

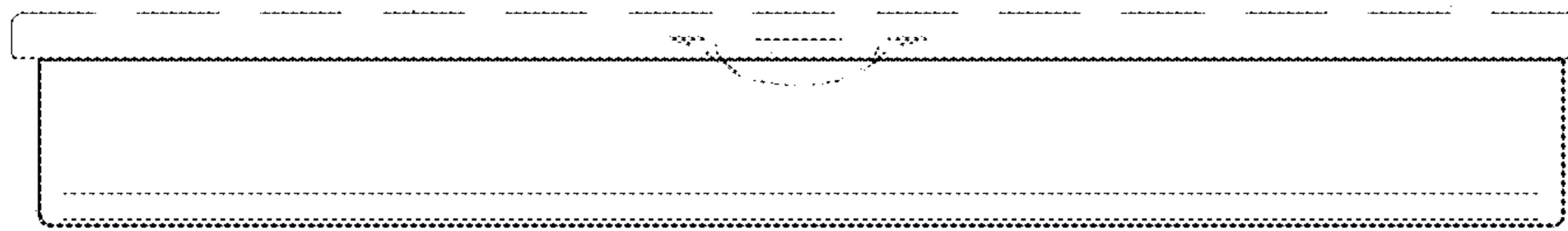


Fig. 5

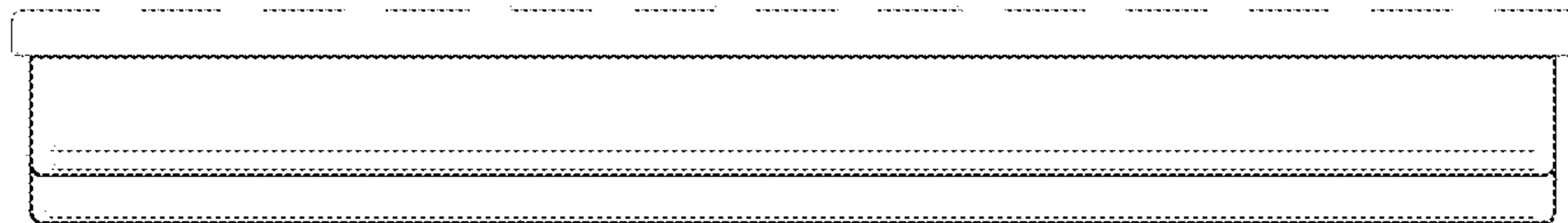


Fig. 6

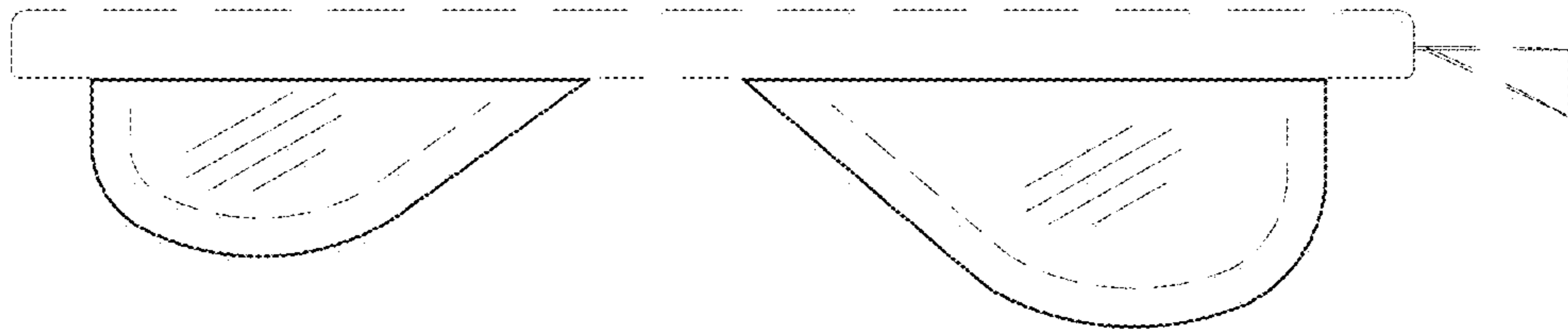


Fig. 7

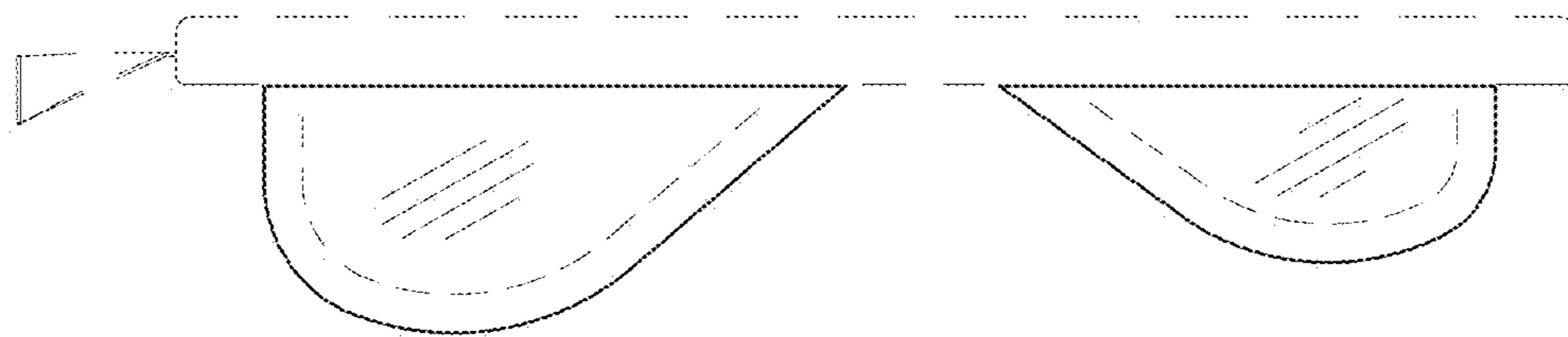


Fig. 8