



US00D911056S

(12) **United States Design Patent** (10) **Patent No.:** **US D911,056 S**
Altherr et al. (45) **Date of Patent:** **** Feb. 23, 2021**

- (54) **OFFICE CHAIR** 3,999,802 A * 12/1976 Powers A47C 3/04
297/447.3
- (71) Applicant: **ARPER S.P.A.**, Monastier di Treviso D289,236 S * 4/1987 Brauning D6/366
(IT) D350,859 S * 9/1994 Ambasz D6/366
D443,991 S * 6/2001 Picotti D6/366
- (72) Inventors: **Jeannette Altherr**, Monastier di D500,607 S * 1/2005 Tsai D6/366
Treviso (IT); **Alberto Lievore**, D564,248 S * 3/2008 Alter Molina D6/373
Monastier di Treviso (IT) D565,317 S * 4/2008 Molina D6/366
D587,916 S * 3/2009 Bouroullec D6/366
D638,231 S * 5/2011 Lievore D6/375
- (73) Assignee: **ARPER S.p.A.**, Monastier di Treviso D657,581 S * 4/2012 Lievore D6/366
(IT) D679,107 S * 4/2013 Darrow D6/366
D688,055 S * 8/2013 Baldanzi D6/366
D718,544 S * 12/2014 Lu D6/366
- (**) Term: **15 Years** D746,609 S * 1/2016 Lievore D6/375
D752,889 S * 4/2016 Bench D6/366
D758,087 S * 6/2016 Bonneywell D6/366
- (21) Appl. No.: **35/507,411** 9,398,811 B1 * 7/2016 Williams A47C 3/18
- (22) Filed: **Mar. 20, 2019** D766,640 S * 9/2016 Kubryk D6/716
D770,788 S * 11/2016 Bonneywell D6/366
D798,069 S * 9/2017 Iqbal D6/334

- (80) **Hague Agreement Data**
- Int. Filing Date: **Mar. 20, 2019**
- Int. Reg. No.: **DM/202547**
- Int. Reg. Date: **Mar. 20, 2019**
- Int. Reg. Pub. Date: **Sep. 6, 2019**

- (30) **Foreign Application Priority Data**
- Sep. 25, 2018 (WO) DM/103710
- (51) **LOC (13) Cl.** **06-01**
- (52) **U.S. Cl.**
- USPC **D6/366; D6/375**
- (58) **Field of Classification Search**
- USPC D6/334-336, 358, 366, 374, 376, 379,
D6/380, 716, 716.1, 716.2, 716.3, 716.4
- CPC A47C 3/04; A47C 4/02; A47C 4/03; A47C
3/12; A47C 5/04; A47C 5/06; A47C 7/16;
A47D 11/00
- See application file for complete search history.

- (56) **References Cited**
- U.S. PATENT DOCUMENTS
- 3,281,185 A * 10/1966 Albinson A47C 7/185
297/452.14
- D240,375 S * 7/1976 Buhk D6/366

(Continued)

Primary Examiner — Bao-Yen T Nguyen
(74) Attorney, Agent, or Firm — Thomas|Horstemeyer,
LLP

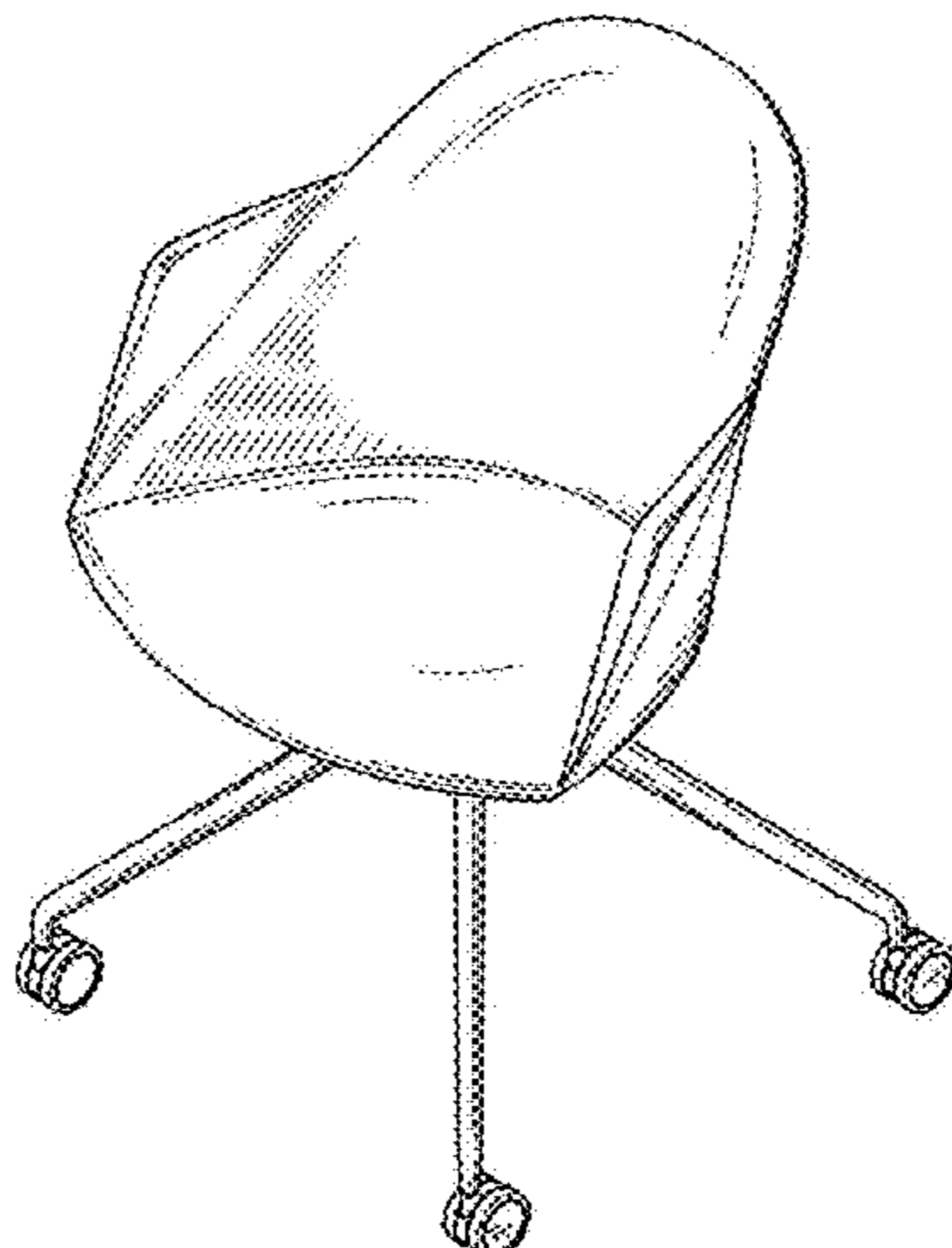
(57) **CLAIM**

The ornamental design for an office chair, as shown and described.

DESCRIPTION

FIG. 1.1 is a front perspective view of an office chair;
FIG. 1.2 is a rear perspective view;
FIG. 1.3 is a right view thereof;
FIG. 1.4 is a left view thereof;
FIG. 1.5 is a front view thereof;
FIG. 1.6 is a rear view thereof; and
FIG. 1.7 is a top view thereof.
The broken lines illustrate portions of the office chair and form no part of the claimed design.

1 Claim, 7 Drawing Sheets



(56)

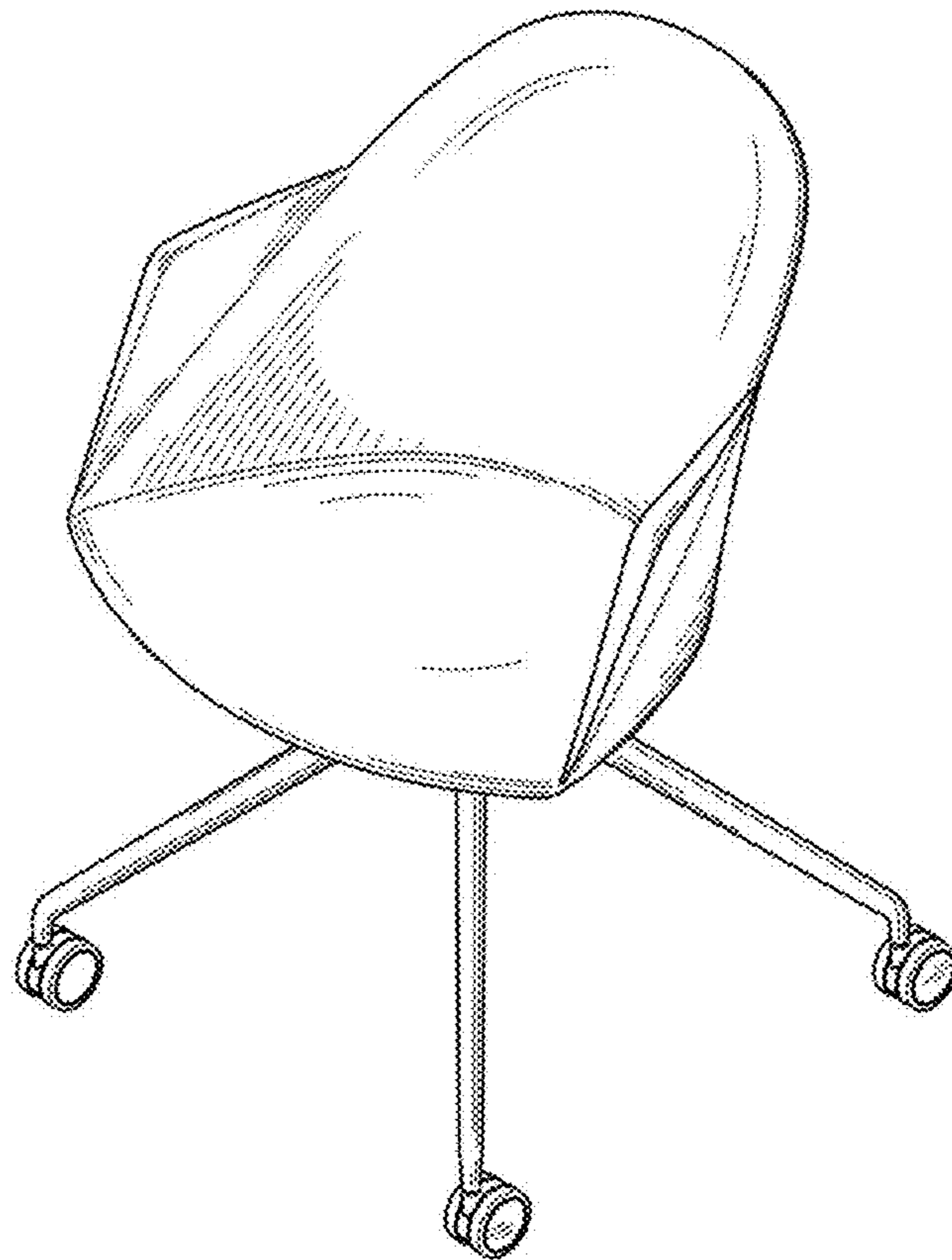
References Cited

U.S. PATENT DOCUMENTS

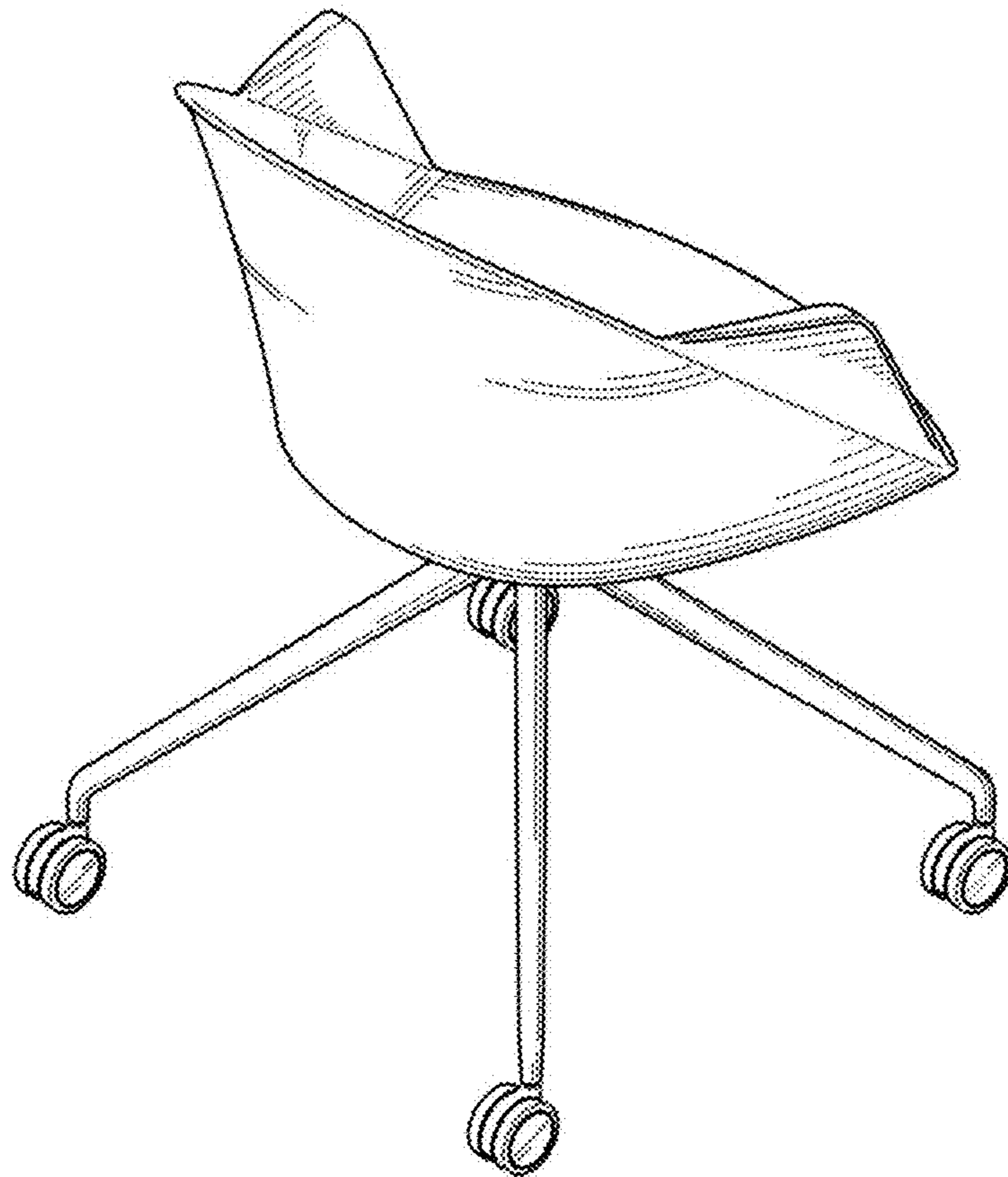
D799,233	S	*	10/2017	Cvek	D6/375
D808,182	S	*	1/2018	Baron	D6/334
D811,757	S	*	3/2018	Moscheri	D6/334
D836,360	S	*	12/2018	Novak	D6/375
D856,019	S	*	8/2019	Lievore	D6/366
D859,019	S	*	9/2019	Lievore	D6/366
D859,868	S	*	9/2019	Lievore	D6/375
D859,869	S	*	9/2019	Lievore	D6/375
D869,190	S	*	12/2019	Lievore	D6/375
D869,215	S	*	12/2019	Chen	D6/716
D876,116	S	*	2/2020	Ji	D6/374

* cited by examiner

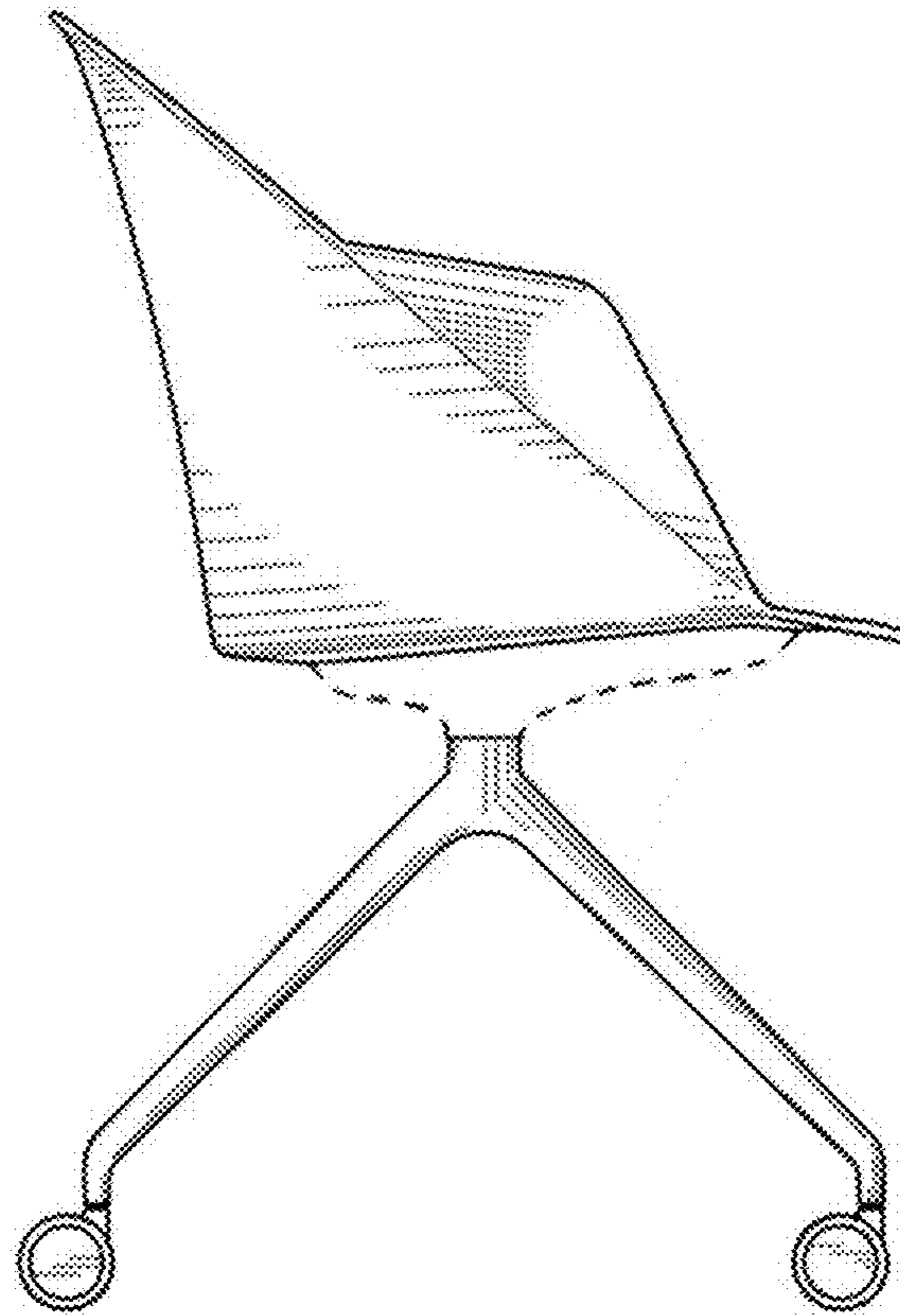
1.1



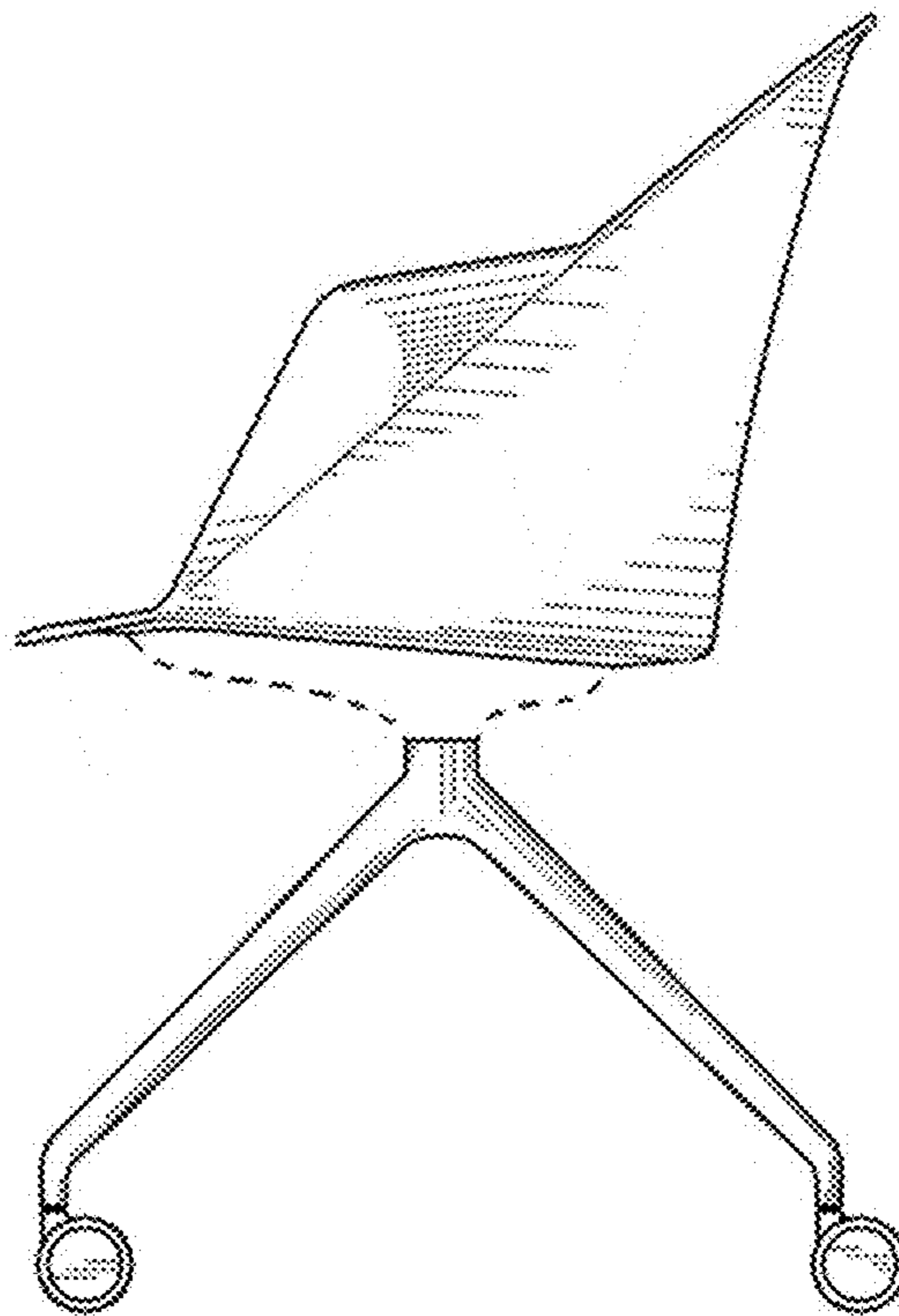
1.2



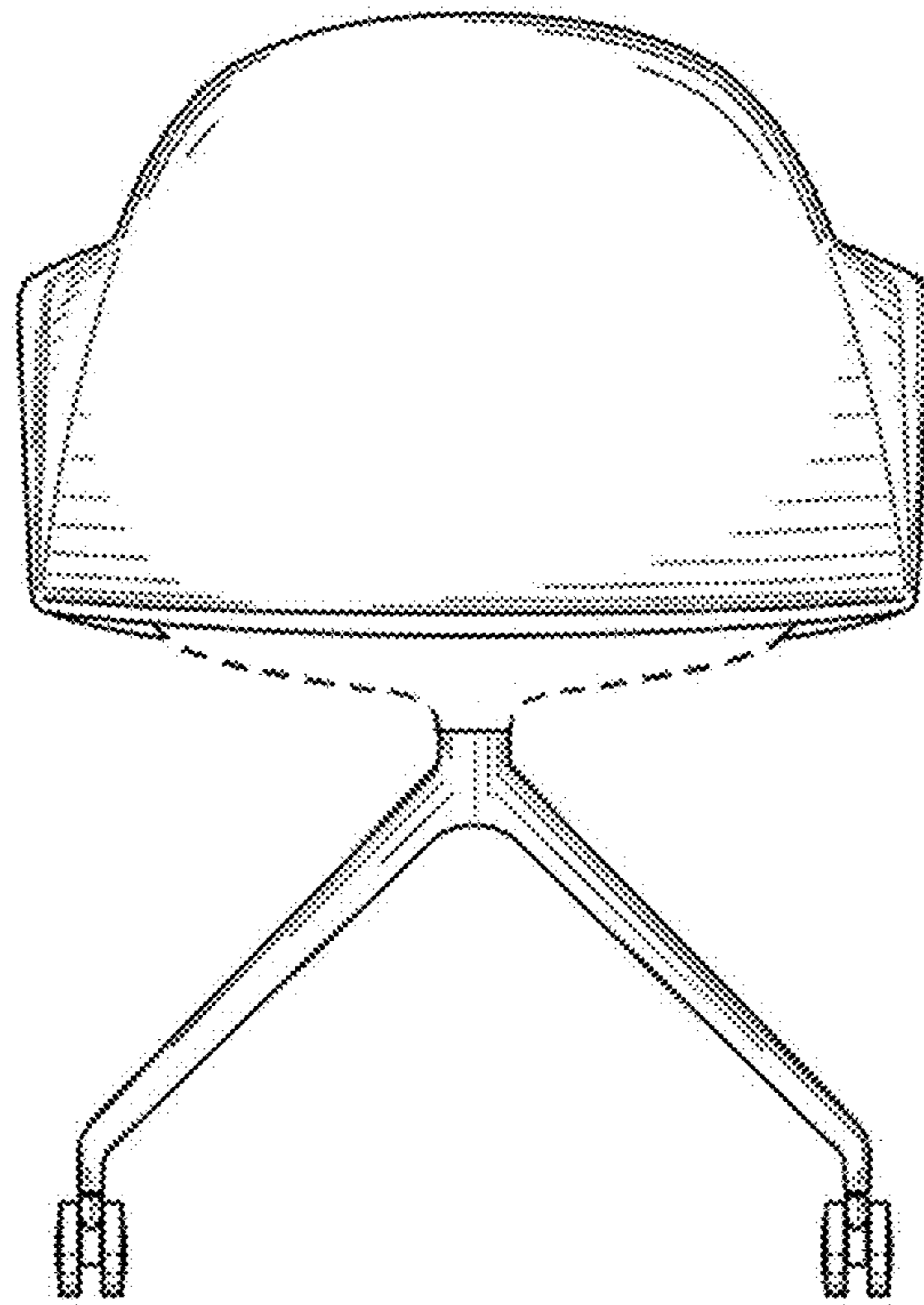
L3



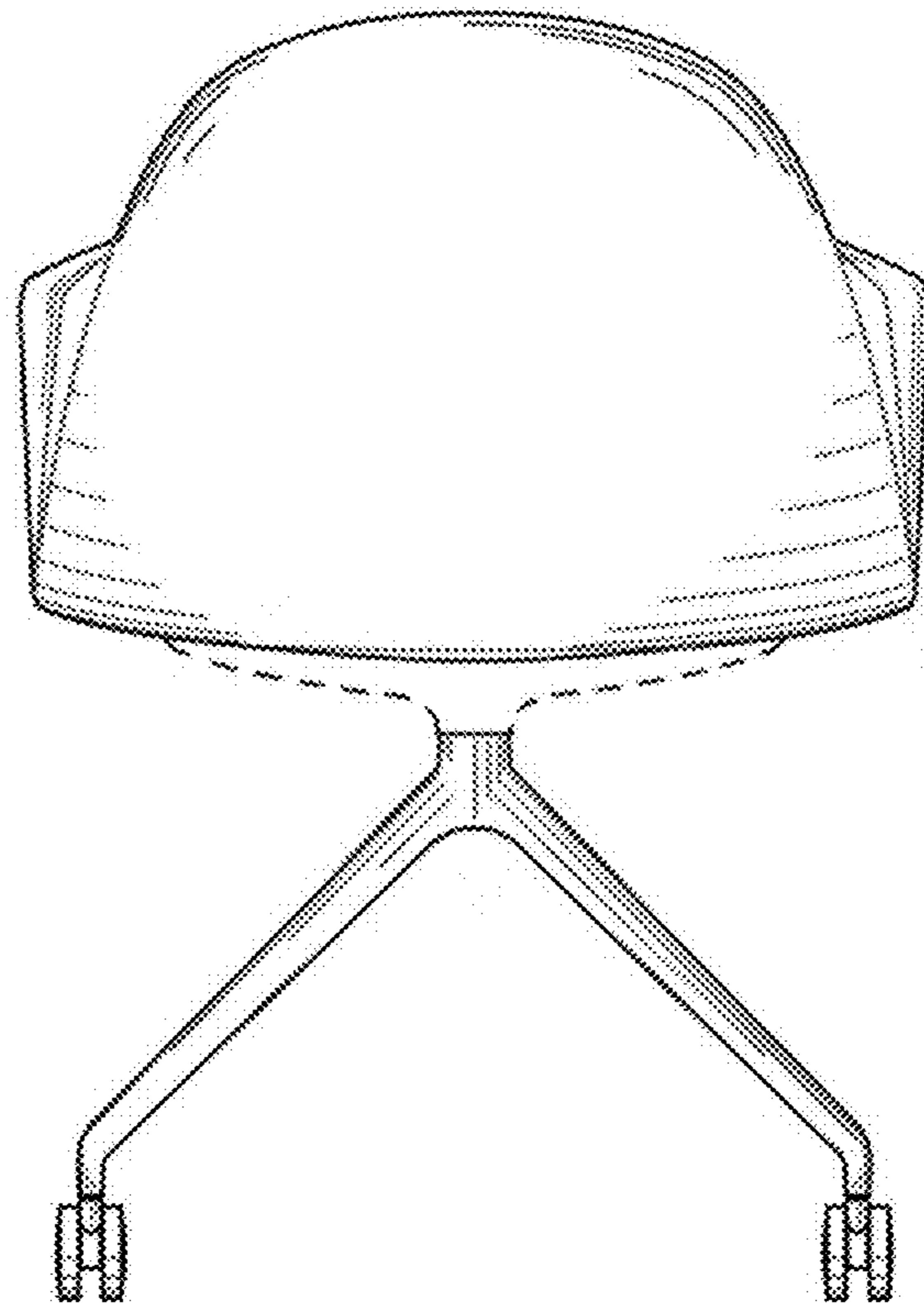
1.4



1.5



1.6



1.7

