



US00D911053S

(12) **United States Design Patent** (10) **Patent No.:** **US D911,053 S**  
**Palma** (45) **Date of Patent:** **\*\* Feb. 23, 2021**

(54) **BACK AND SEAT FOR A CHAIR**  
(71) Applicant: **Alberto Palma**, Costa Mesa, CA (US)  
(72) Inventor: **Alberto Palma**, Costa Mesa, CA (US)  
(\*\*) Term: **15 Years**  
(21) Appl. No.: **29/690,170**  
(22) Filed: **May 6, 2019**  
(51) **LOC (13) Cl.** ..... **06-01**  
(52) **U.S. Cl.**  
USPC ..... **D6/366**  
(58) **Field of Classification Search**  
USPC ..... D6/356, 364, 365, 366, 367, 379, 716,  
D6/716.4, 716.7; D21/521, 695  
CPC ..... A47C 1/03294; A47C 1/034; A47C 1/032;  
A47C 1/031; A47C 1/023; A47C 3/029;  
A47C 3/027; A47C 3/04; A47C 3/02;  
A47C 3/12; A47C 4/03; A47C 4/04;  
A47C 5/12; A47C 7/029; A47C 7/02;  
A47C 7/18; A47C 7/28; A47C 7/32;  
A47C 7/38; A47C 7/40; A47C 7/44;  
A47C 7/46; A47C 7/54; A47C 7/425;  
A47C 7/445; A47C 31/023; A47C 31/04;  
B60R 2/0284; B60R 2/062; B60R 22/001;  
B60R 22/24; B60R 22/28; B60R 22/58;  
B60R 22/64; B60R 22/68; B60R 22/80;  
B60R 22/99; B60R 22/245; B60R 22/643;  
B60R 22/646; B60R 22/665; B60R  
22/686; B60R 22/688; B60R 22/803;  
B60R 22/986; B60R 22/914; B60R  
22/995; F16B 2/08; F16B 45/00; Y10S  
297/01; A47D 13/10  
See application file for complete search history.

(56) **References Cited**  
U.S. PATENT DOCUMENTS  
D463,692 S \* 10/2002 Chi ..... D6/366  
D532,211 S \* 11/2006 Su ..... D6/366

D561,502 S \* 2/2008 Egger ..... D6/366  
D566,437 S \* 4/2008 Egger ..... D6/366  
D606,781 S \* 12/2009 Hernandez ..... D6/366  
D614,895 S \* 5/2010 Queally ..... D6/366  
D626,768 S \* 11/2010 Galati, Jr. .... D6/716  
D657,580 S \* 4/2012 Zhou ..... D6/366  
D658,409 S \* 5/2012 Ping ..... D6/365  
D706,048 S \* 6/2014 Wang ..... D6/366  
D769,633 S \* 10/2016 Mezzera ..... D6/366  
D769,636 S \* 10/2016 Mezzera ..... D6/366  
D769,637 S \* 10/2016 Mezzera ..... D6/366  
D770,820 S \* 11/2016 Mezzera ..... D6/366  
D792,725 S \* 7/2017 Patir ..... D6/356  
D809,841 S \* 2/2018 Mao ..... D6/716  
D811,793 S \* 3/2018 Palma ..... D6/716  
D846,906 S \* 4/2019 Xue ..... D6/366  
D847,526 S \* 5/2019 Wang ..... D6/366

(Continued)

*Primary Examiner* — Kevin K Rudzinski  
*Assistant Examiner* — Paul D Bohannon  
(74) *Attorney, Agent, or Firm* — Morland C. Fischer

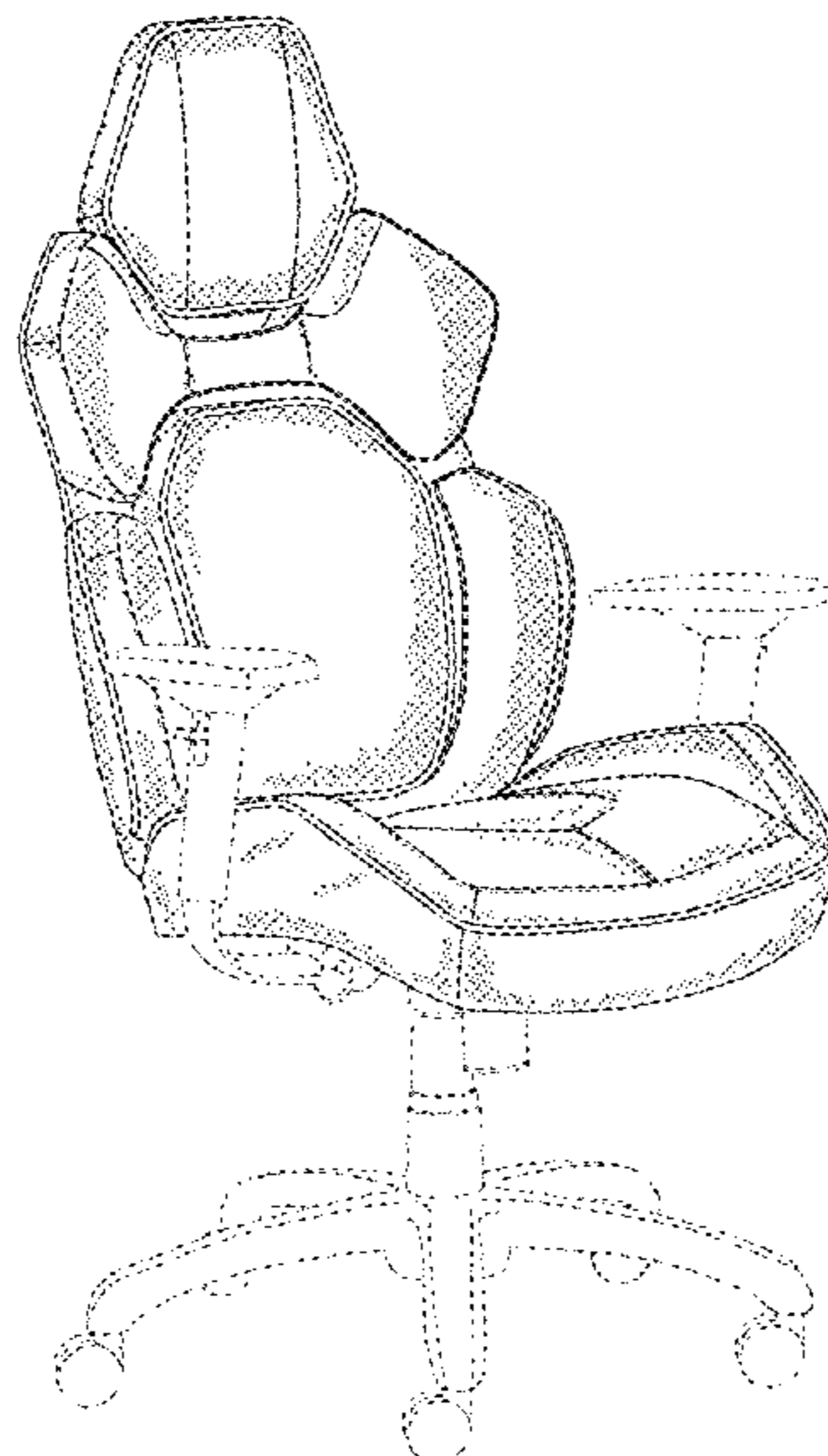
(57) **CLAIM**

The ornamental design for a back and seat for a chair, as shown and described.

**DESCRIPTION**

FIG. 1 is a perspective view showing the left side, top and front of a back and seat for a chair which forms my new design;  
FIG. 2 is a front elevational view thereof;  
FIG. 3 is a left side elevational view thereof;  
FIG. 4 is a rear elevational view thereof;  
FIG. 5 is a right side elevational view thereof;  
FIG. 6 is a top plan view thereof; and,  
FIG. 7 is a bottom plan view thereof.  
The longer length broken lines shown in the figures illustrate environment that forms no part of the claimed design. The shorter length broken lines shown in the figures illustrate stitching that forms part of the claimed design.

**1 Claim, 6 Drawing Sheets**



(56)

**References Cited**

U.S. PATENT DOCUMENTS

D879,492 S \* 3/2020 Wang ..... D6/366  
D880,181 S \* 4/2020 Wang ..... D6/366  
D880,183 S \* 4/2020 Li ..... D6/366  
2018/0035805 A1\* 2/2018 Mezzera ..... A47C 7/54

\* cited by examiner

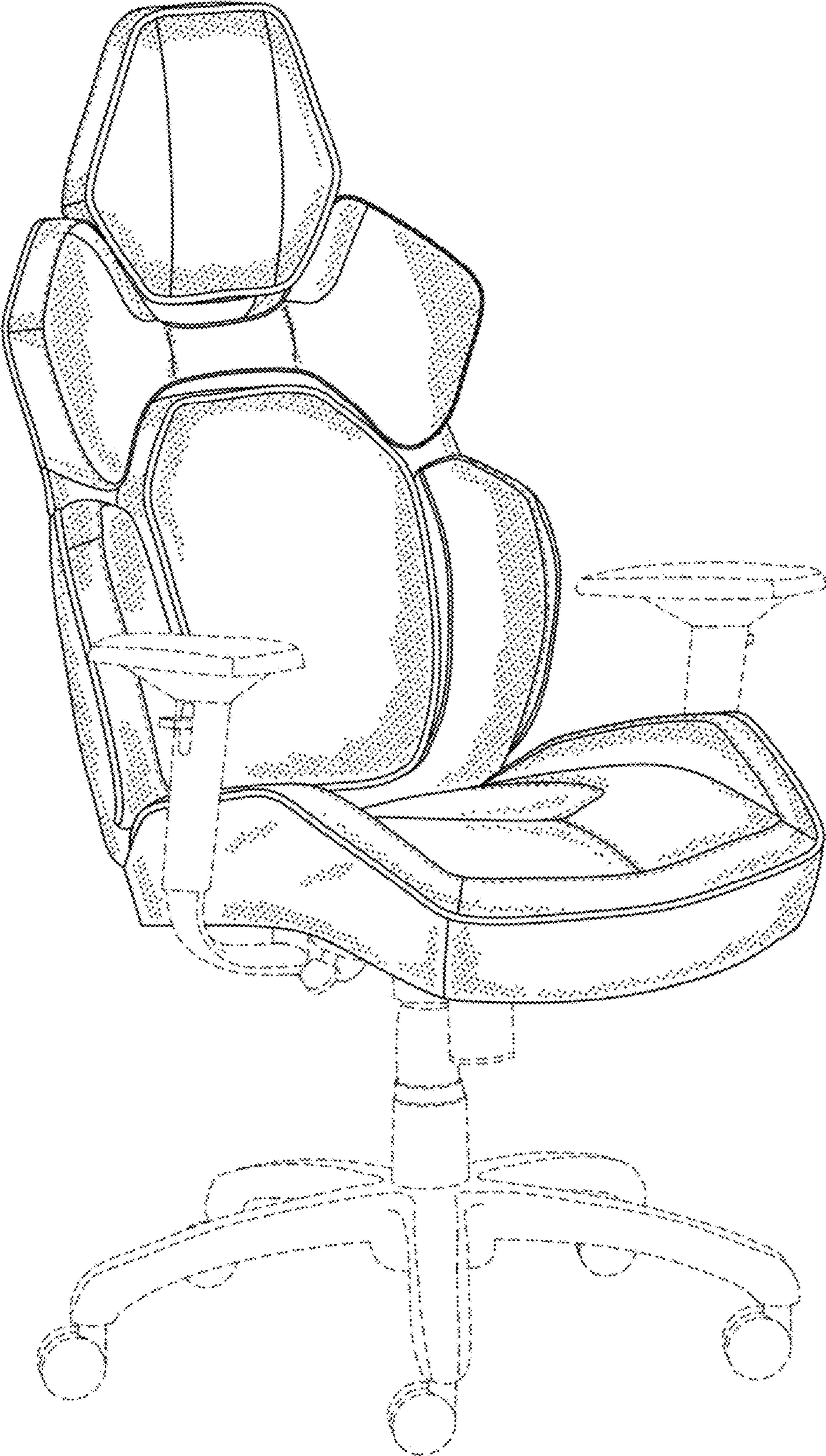


FIG. 1

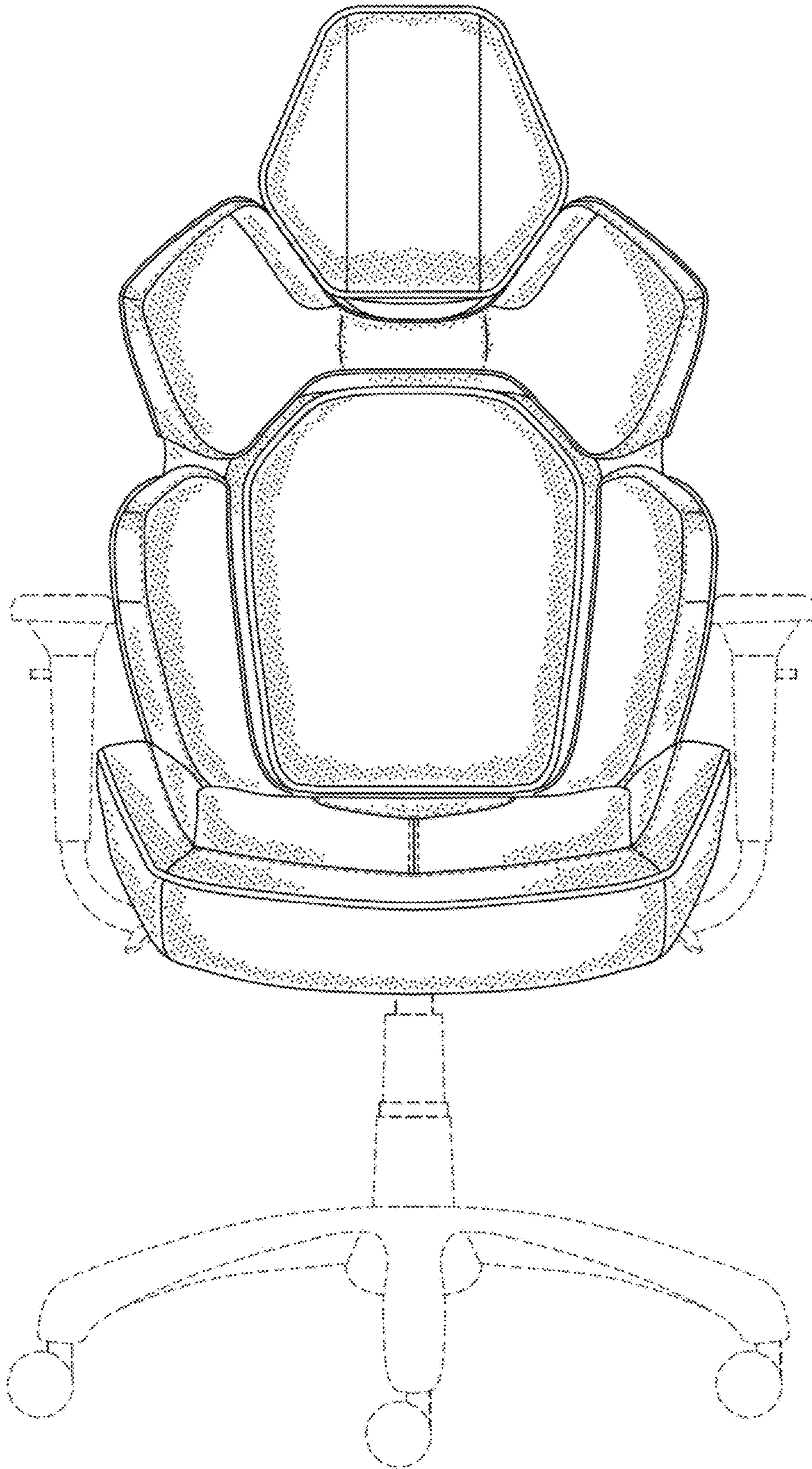


FIG. 2

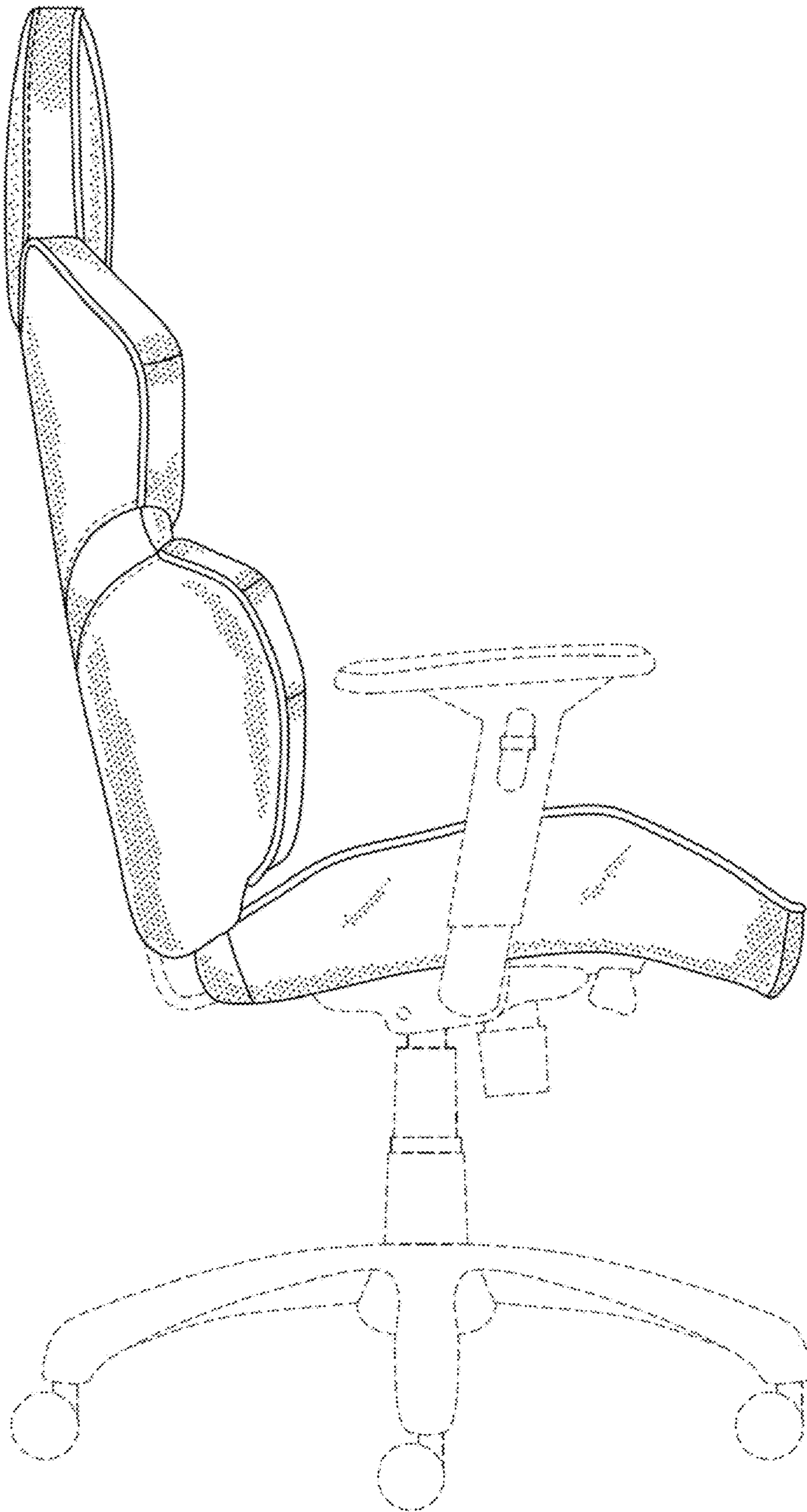


FIG. 3

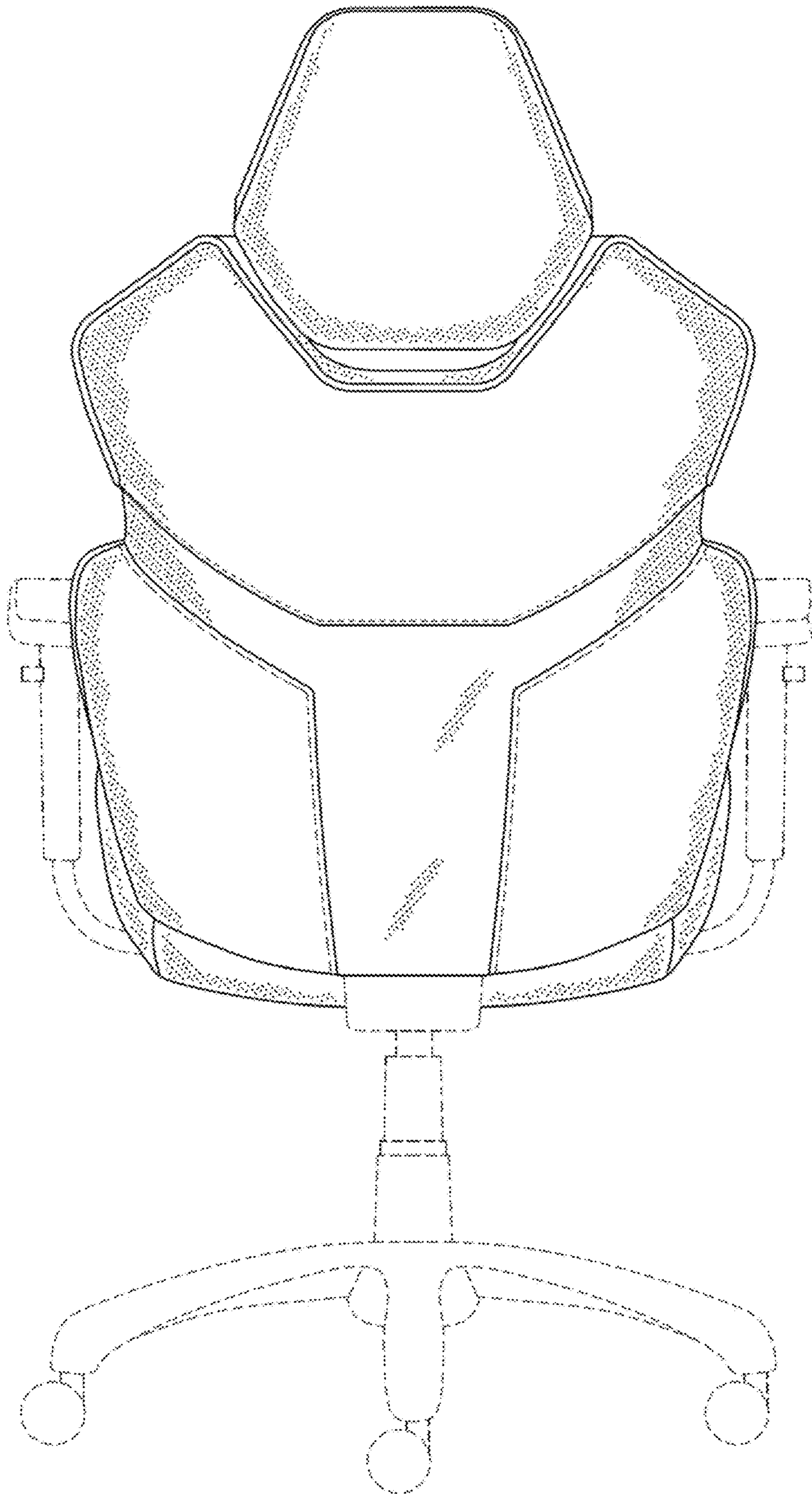


FIG. 4

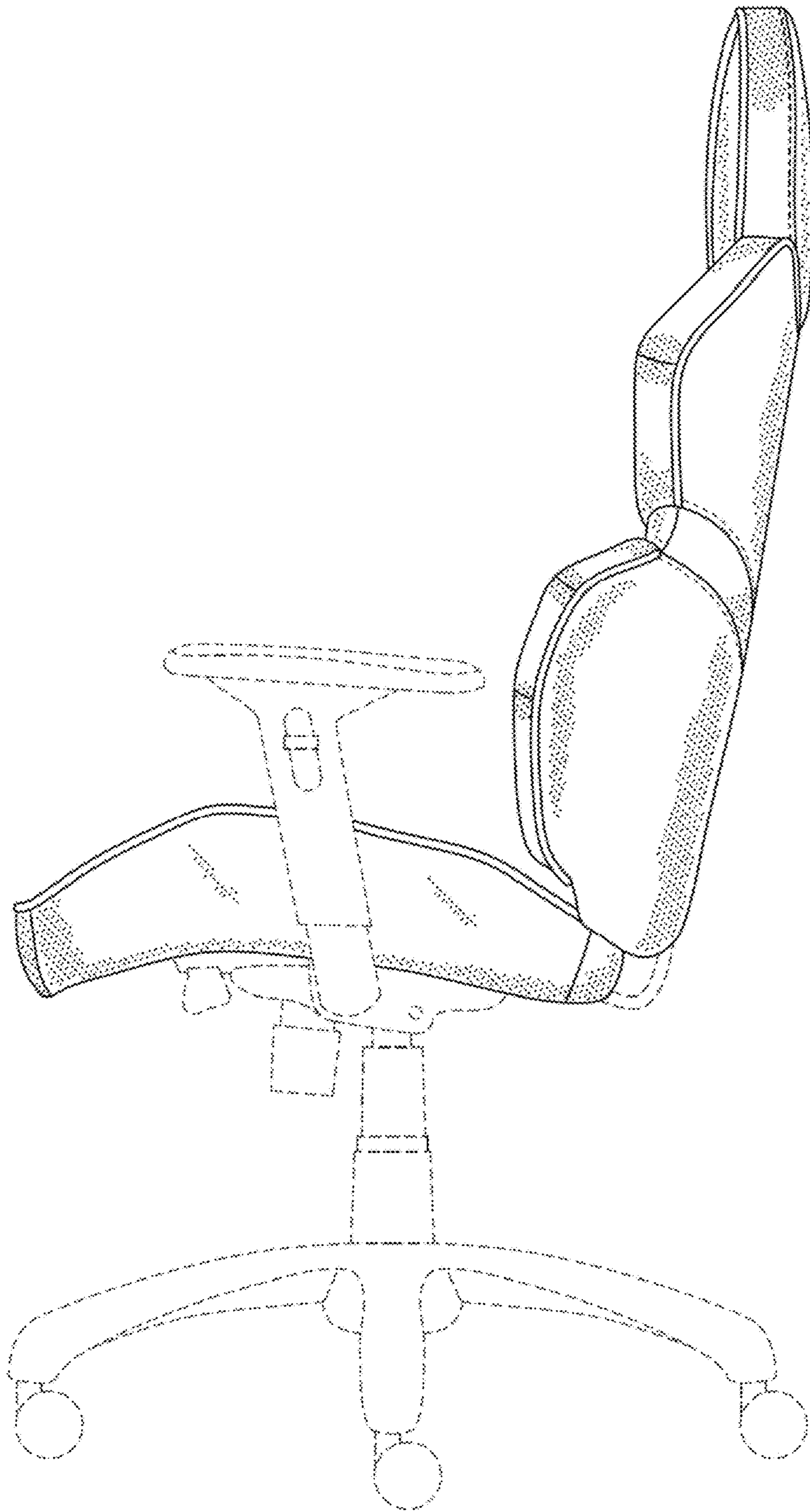


FIG. 5

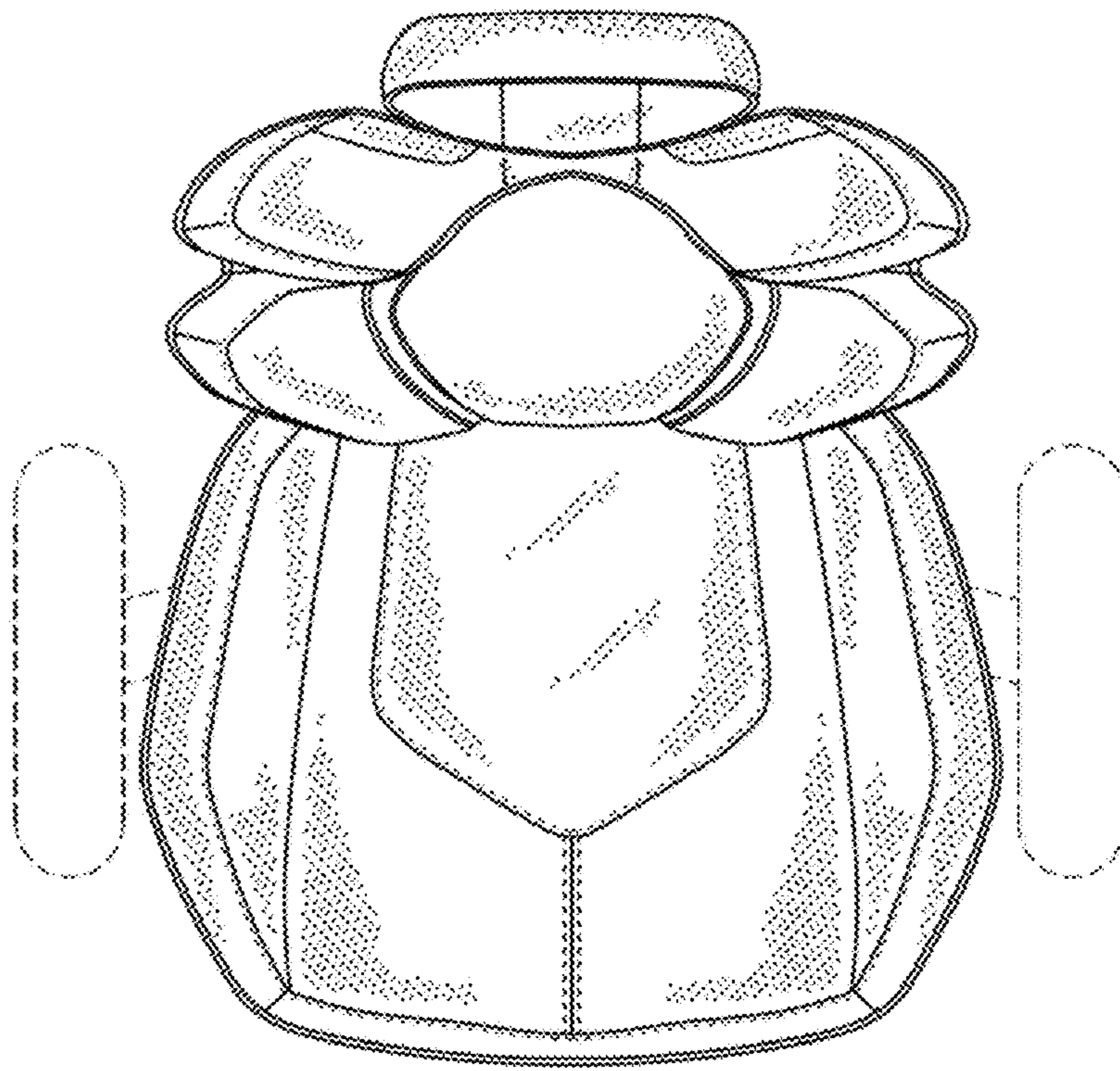


FIG. 6

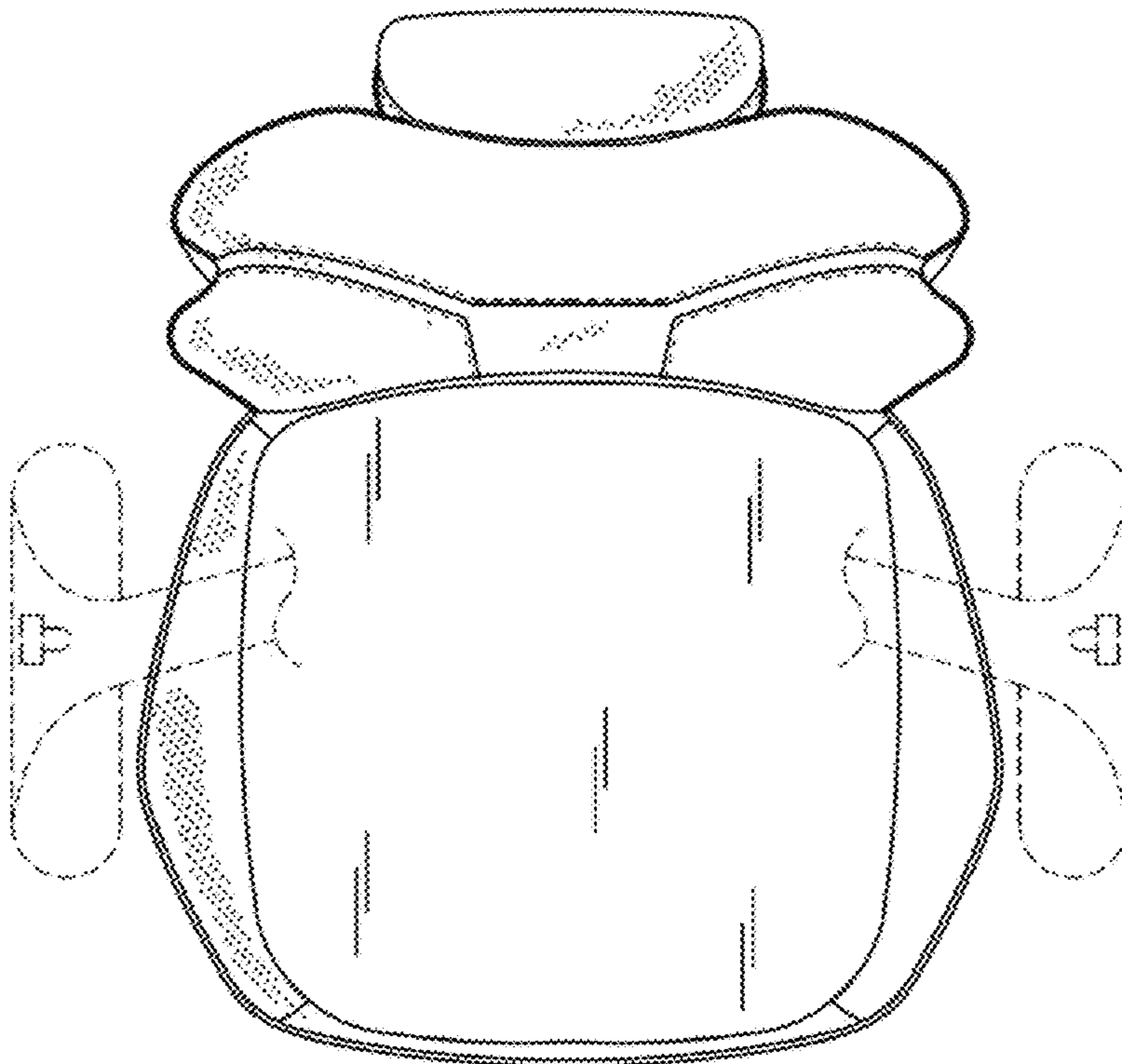


FIG. 7