



US00D911051S

(12) **United States Design Patent** (10) **Patent No.:** **US D911,051 S**  
**Grønlund et al.** (45) **Date of Patent:** **\*\* \*Feb. 23, 2021**

(54) **HIGHCHAIR**

(71) Applicant: **Safe and Care Co. Ltd.**, Kowloon (HK)

(72) Inventors: **Susanne Grønlund**, Aarhus (DK); **Zhao Wodong**, Qing Xi Town (CN)

(73) Assignee: **SAFE & CARE CO. LTD.**, Kowloon (HK)

(\*) Notice: This patent is subject to a terminal disclaimer.

(\*\*) Term: **15 Years**

(21) Appl. No.: **29/694,085**

(22) Filed: **Jun. 7, 2019**

(51) **LOC (13) Cl.** ..... **06-01**

(52) **U.S. Cl.**  
USPC ..... **D6/339**

(58) **Field of Classification Search**  
USPC ..... D6/333-336, 339, 344, 702, 716, D6/716.1-716.7; 297/183.1-183.4, 297/184.13, 184.15, 184.17, 250.1, 255, 297/256.1, 256.15, 219.12, 463.1; D12/129-130, 133; D21/412, 419; 280/30-31; 5/94, 98.1, 99.1, 101-102, 5/105, 655, 93.1, 12.1; 24/200  
CPC ..... A47D 13/02; A47D 13/10; A47D 13/083; A47D 1/00; A47D 1/002; A47D 1/004; A47D 1/008; A47D 1/04; B60N 2/22;

B60N 2/24; B60N 2/2821; B60N 2/02; B60N 2/10; B60N 2/16; B60N 2002/0212; B60N 2002/0216; B60N 2002/022; A47C 3/00; A47C 3/02; A47C 3/025; A47C 3/20

See application file for complete search history.

(56) **References Cited**

**U.S. PATENT DOCUMENTS**

D365,936 S *	1/1996	Haut	.....	D6/339
D694,029 S *	11/2013	Yeh	.....	D6/339
D807,656 S *	1/2018	Cheng	.....	D6/339
D844,337 S *	4/2019	Yang	.....	D6/339
D867,773 S *	11/2019	Wang	.....	D6/339

\* cited by examiner

*Primary Examiner* — Abraham Bahta

(74) *Attorney, Agent, or Firm* — Fay Sharpe LLP

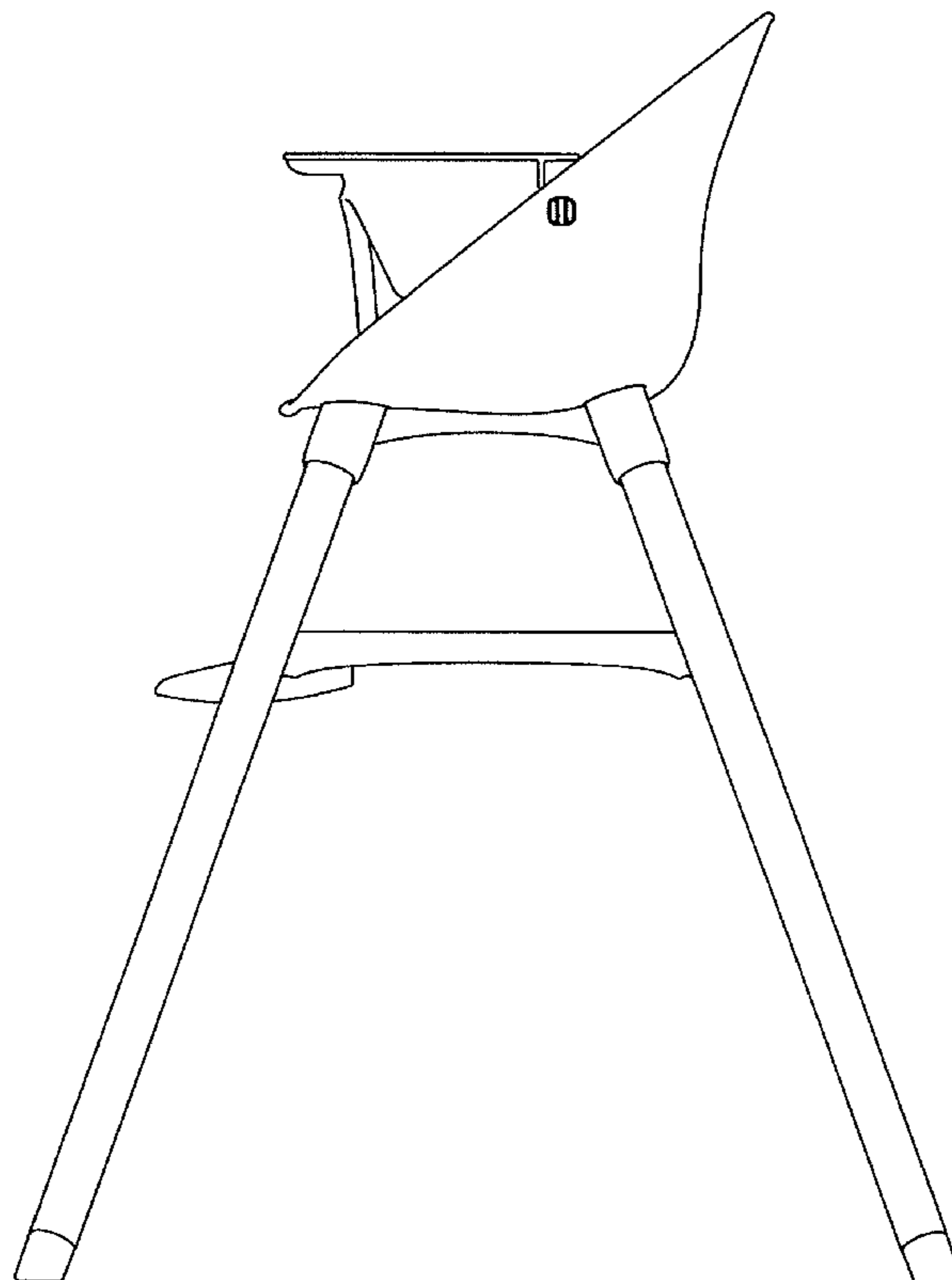
(57) **CLAIM**

I claim the ornamental design for a highchair, as shown and described.

**DESCRIPTION**

FIG. 1 is a front view of the highchair showing my new design;  
FIG. 2 is a rear view of thereof;  
FIG. 3 is a left side view thereof;  
FIG. 4 is a right side view thereof; and,  
FIG. 5 is a top view thereof.

**1 Claim, 5 Drawing Sheets**



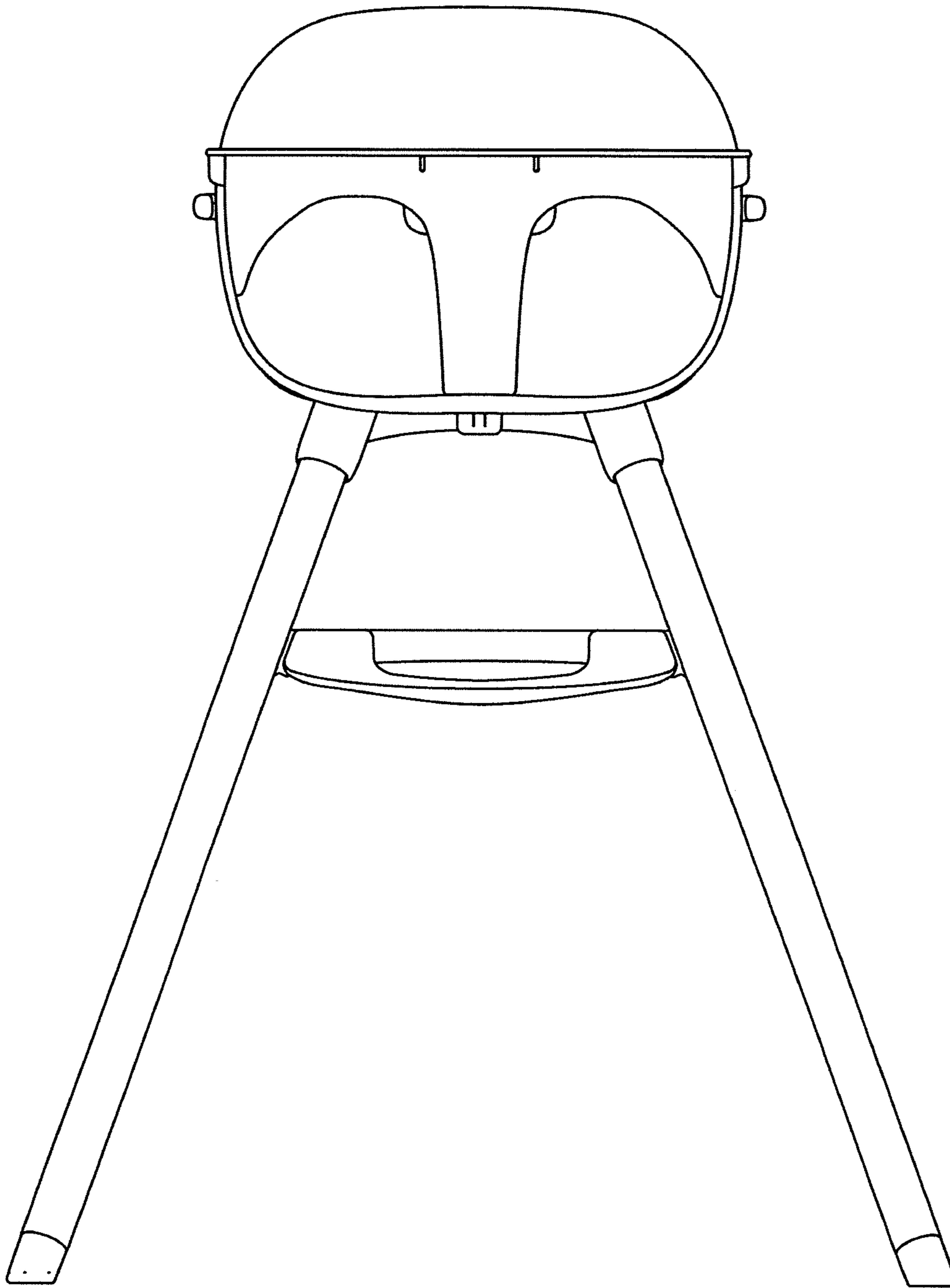


FIG. 1

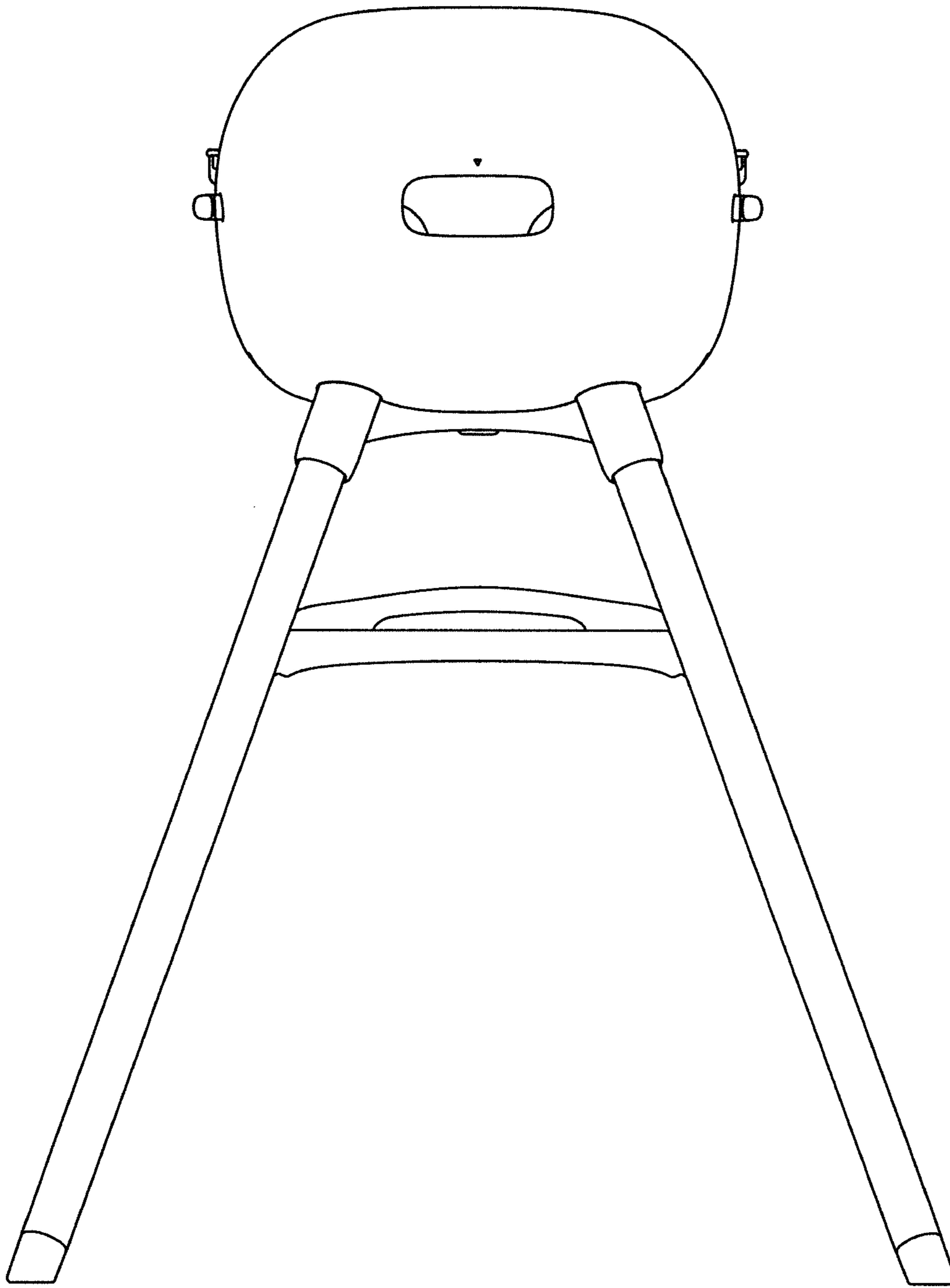


FIG. 2

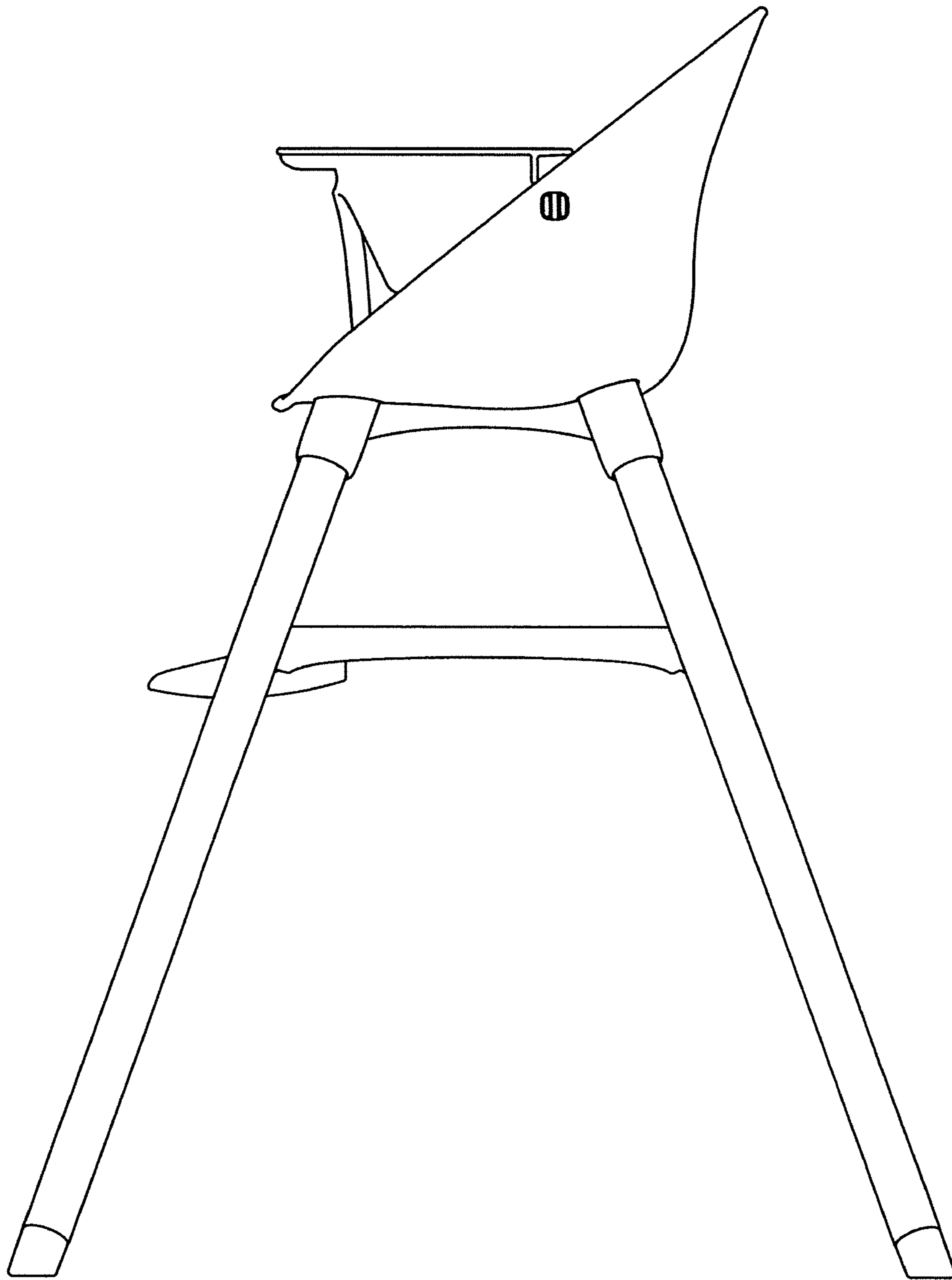


FIG. 3

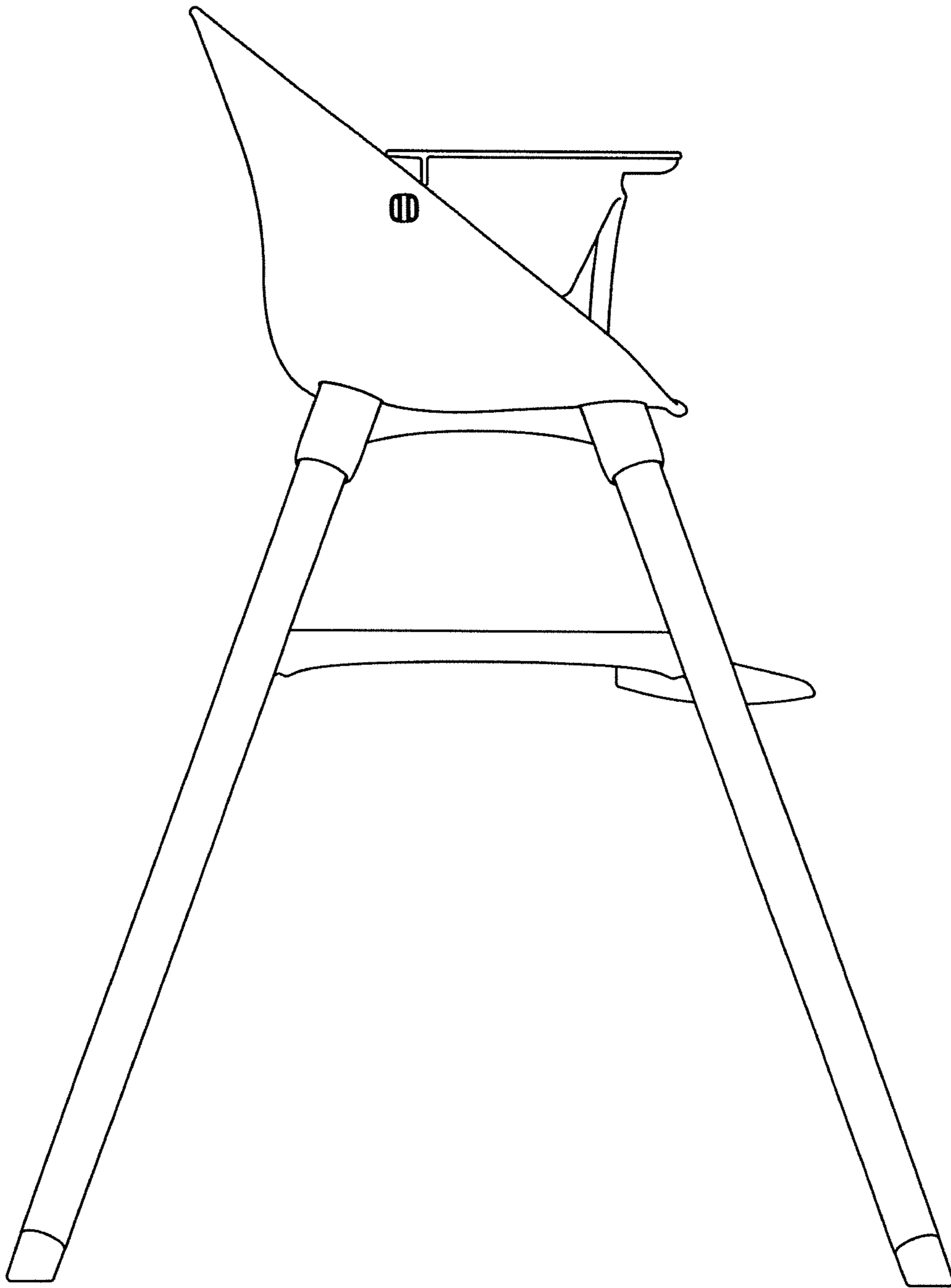


FIG. 4

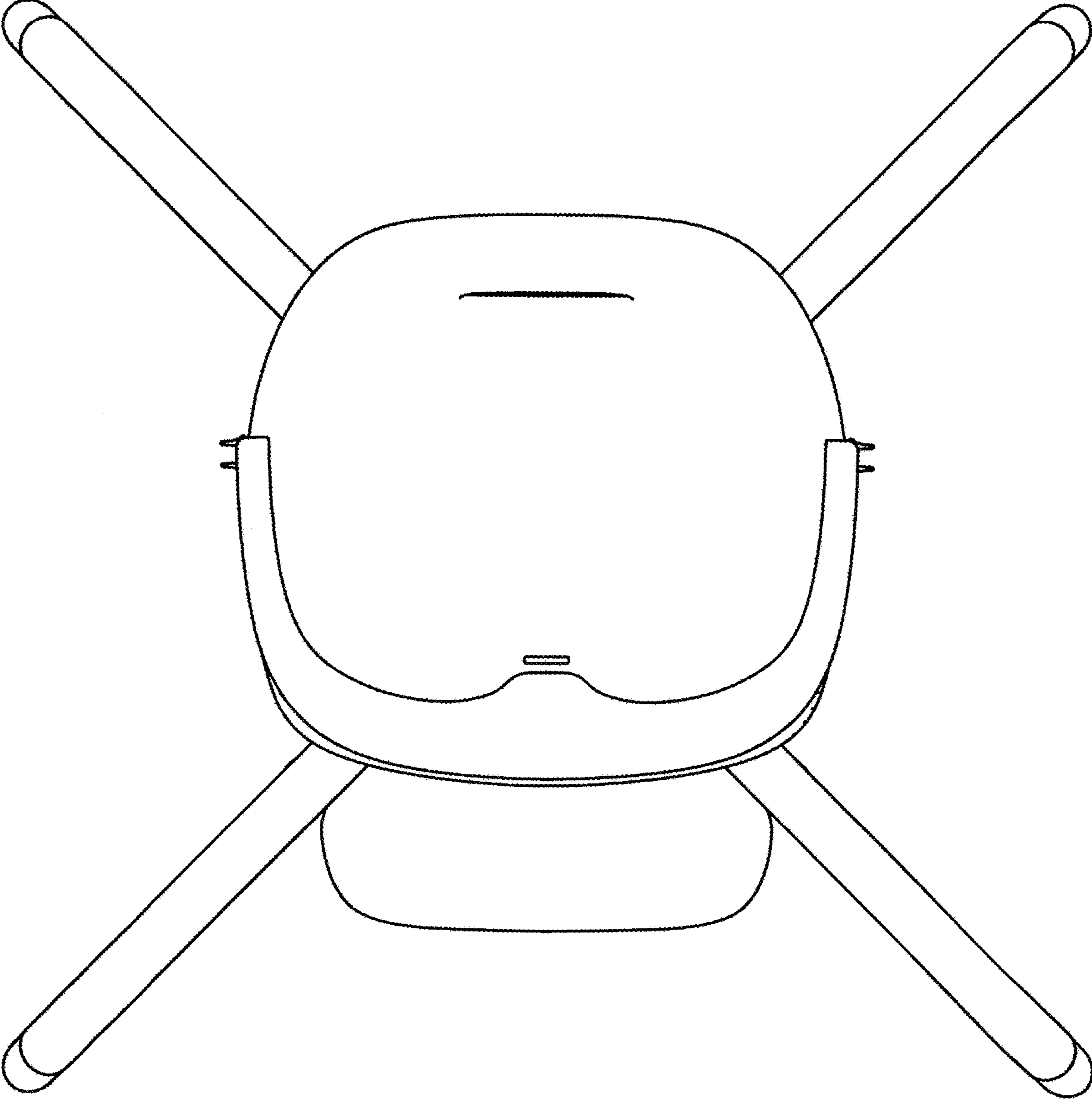


FIG. 5