



US00D911050S

(12) **United States Design Patent** (10) **Patent No.:** **US D911,050 S**
Uezu (45) **Date of Patent:** **** Feb. 23, 2021**

(54) **BENCH** 5,135,281 A * 8/1992 Pappalardo A47C 7/66
297/184.15
(71) Applicant: **Tachigami Iron Works Co., Ltd.,** D360,535 S * 7/1995 Sjoberg D6/335
Tomigusuku (JP) D365,451 S * 12/1995 Shahid D6/335
5,551,110 A * 9/1996 Armstrong A47G 9/1009
135/121
(72) Inventor: **Masanao Uezu,** Tomigusuku (JP) D379,270 S * 5/1997 Voyce D6/347
6,036,262 A * 3/2000 Shahid A47C 4/52
297/188.04
(73) Assignee: **Tachigami Iron Works Co., Ltd.,** D488,312 S * 4/2004 Liu D6/344
Tomigusuku (JP)
(**) Term: **15 Years**
(21) Appl. No.: **29/704,285**
(22) Filed: **Sep. 3, 2019**

(Continued)
Primary Examiner — W. A. Teddy Falloway
(74) *Attorney, Agent, or Firm* — Heedong Chae; Lucem,
PC

Related U.S. Application Data

(63) Continuation-in-part of application No. 29/684,267,
filed on Mar. 19, 2019, now Pat. No. Des. 903,344.

Foreign Application Priority Data

Oct. 19, 2018 (JP) 2018-023036
Mar. 20, 2019 (JP) 2019-005912

(51) **LOC (13) Cl.** **06-01**
(52) **U.S. Cl.**
USPC **D6/335; D6/334**

(58) **Field of Classification Search**
USPC D6/334–336, 338, 371, 373, 376–382,
D6/716, 716.1, 716.2, 716.4, 708.16;
297/184.1, 184.15, 232, 233, 248
CPC .. A47C 7/66; A47C 11/00; A47C 1/14; A47C
4/286; A47C 11/005; A47C 13/00; A47C
13/005; A01M 31/025
See application file for complete search history.

References Cited

U.S. PATENT DOCUMENTS

2,926,724 A * 3/1960 Rittenberg A47C 4/28
297/40
3,243,230 A * 3/1966 Otto A47C 7/66
297/184.15

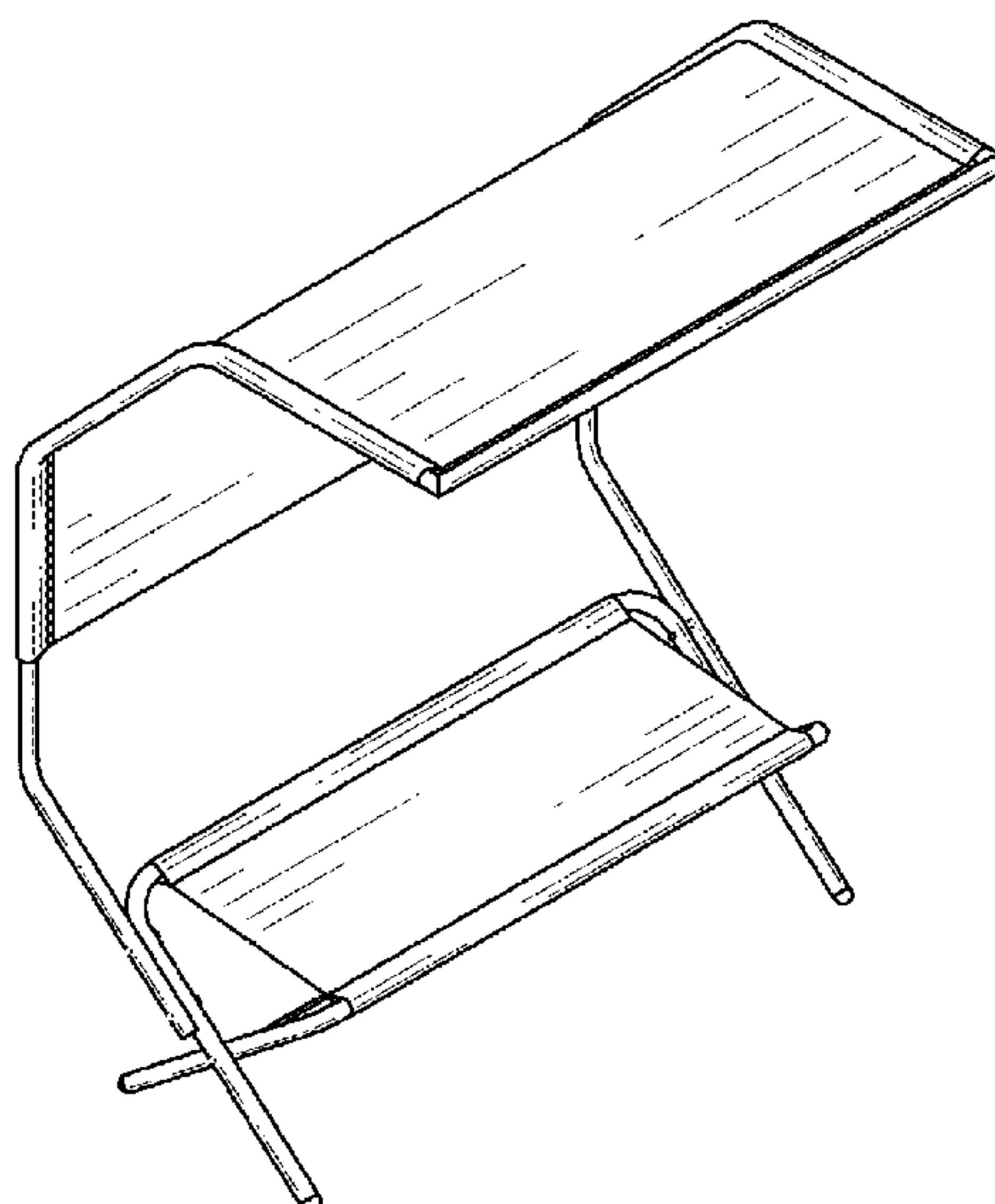
CLAIM

(57) The ornamental design for a bench, as shown and described.

DESCRIPTION

FIG. 1 is a front elevational view of the bench showing my new design;
FIG. 2 is a rear elevational view thereof;
FIG. 3 is a right side elevational view thereof;
FIG. 4 is a top plan view thereof;
FIG. 5 is a bottom view thereof;
FIG. 6 is a cross-sectional view thereof taken along the line 6-6 in FIG. 1;
FIG. 7 is a front perspective view thereof;
FIG. 8 is a perspective view thereof in an environment of use;
FIG. 9 is a perspective view thereof in an environment of use; and,
FIG. 10 is a perspective view thereof in an environment of use.
The broken lines depict environmental subject matter and portions of the bench that form no part of the claimed design.

1 Claim, 9 Drawing Sheets



(56)

References Cited

U.S. PATENT DOCUMENTS

D490,251 S * 5/2004 Lin D6/335
D496,800 S * 10/2004 Pauschitz D6/344
D550,983 S * 9/2007 Van Es D6/675.3
7,648,196 B2 * 1/2010 Degelman A47C 7/66
297/45
D728,949 S * 5/2015 Fang D6/348
9,060,613 B2 * 6/2015 Combs A47C 7/66
D751,833 S * 3/2016 Lv D6/348
D804,836 S * 12/2017 Lieberman D6/347
D810,455 S * 2/2018 Wang D6/361
D823,012 S * 7/2018 Yu D6/348
D871,787 S * 1/2020 Lv D6/348
D887,191 S * 6/2020 Kim D6/708.16
D891,808 S * 8/2020 Zhu D6/376
10,791,843 B2 * 10/2020 Rowe, Jr. E04H 15/58
D903,344 S * 12/2020 Uezu D6/335
2006/0054207 A1 * 3/2006 Wootliff A47C 7/66
135/96
2007/0284926 A1 * 12/2007 Tseng A47C 3/0255
297/273
2015/0282626 A1 * 10/2015 Rowe, Jr. E04H 15/58
135/96
2017/0143126 A1 * 5/2017 Wynn A47C 7/66
2017/0332790 A1 * 11/2017 Chen A47C 1/035
2020/0221876 A1 * 7/2020 Morales A47C 7/626

* cited by examiner

FIG. 1

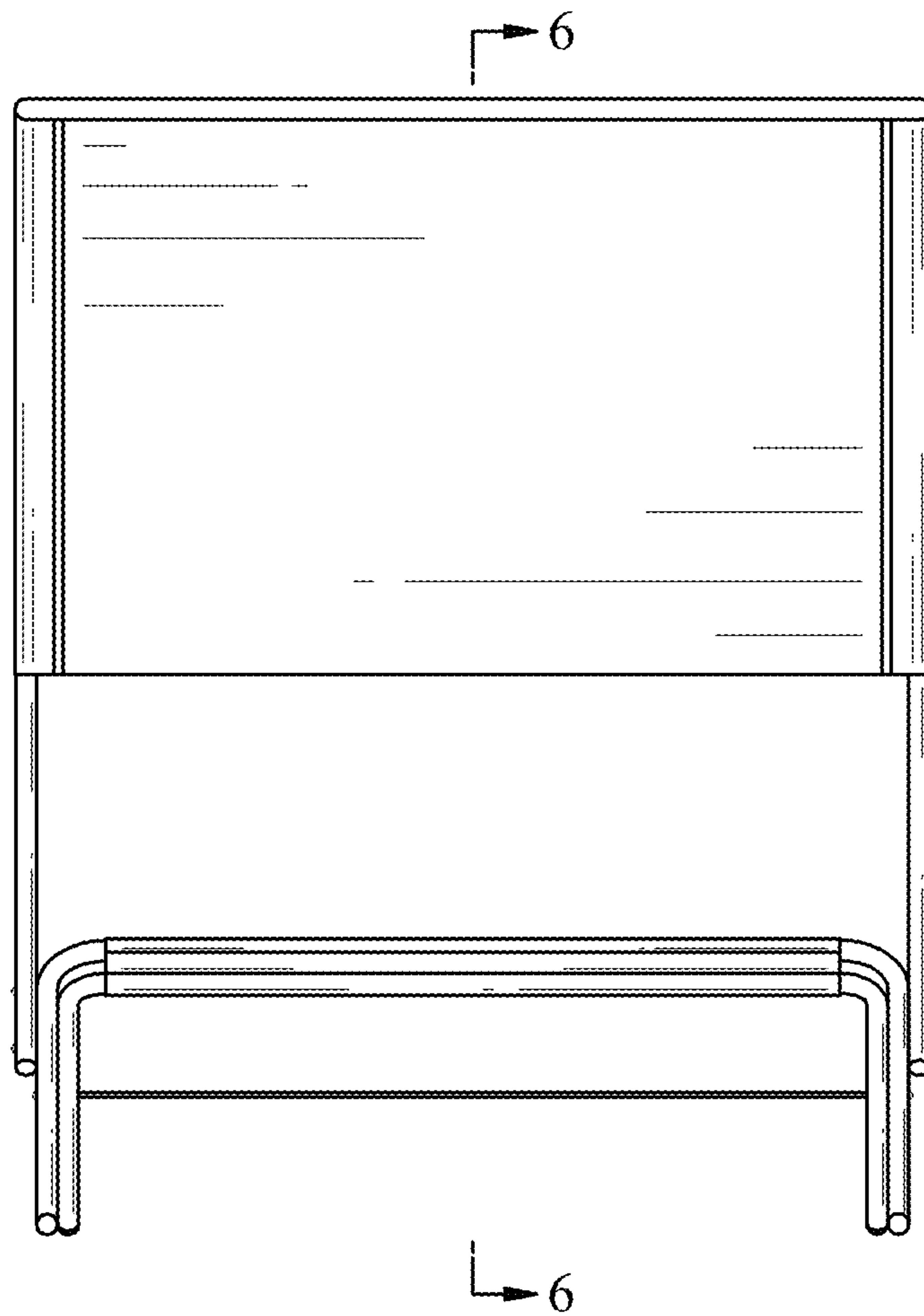


FIG. 2

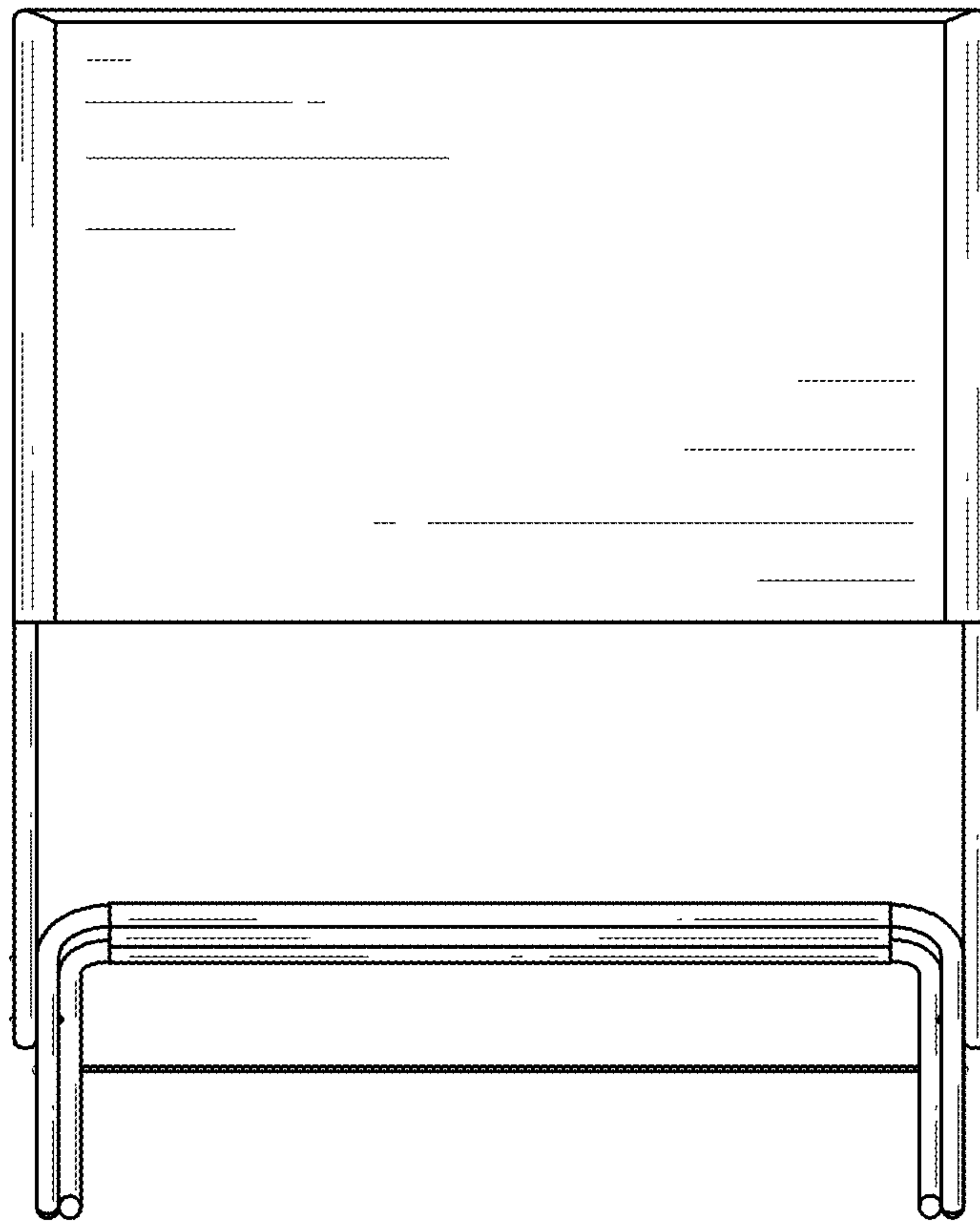


FIG. 3

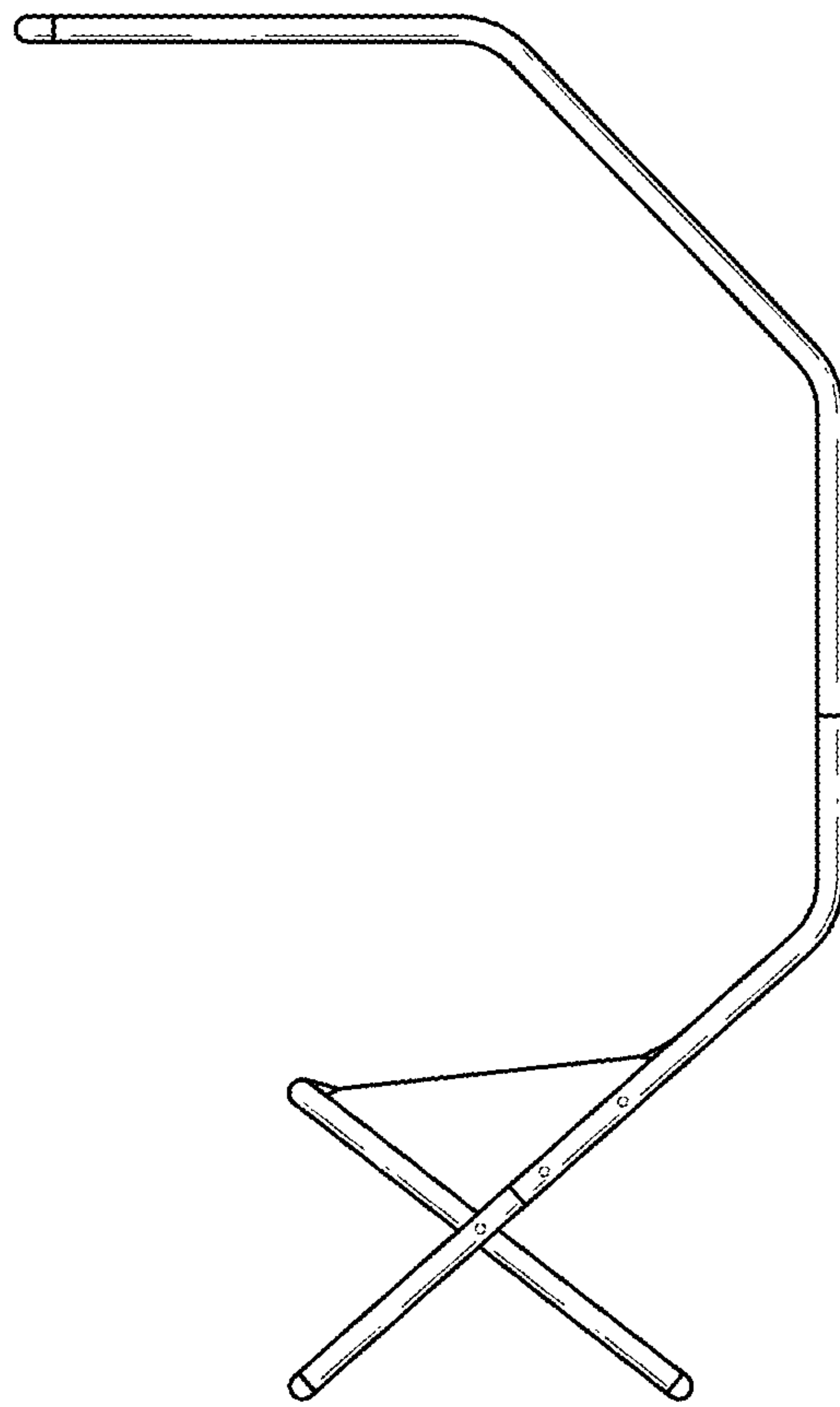


FIG. 4

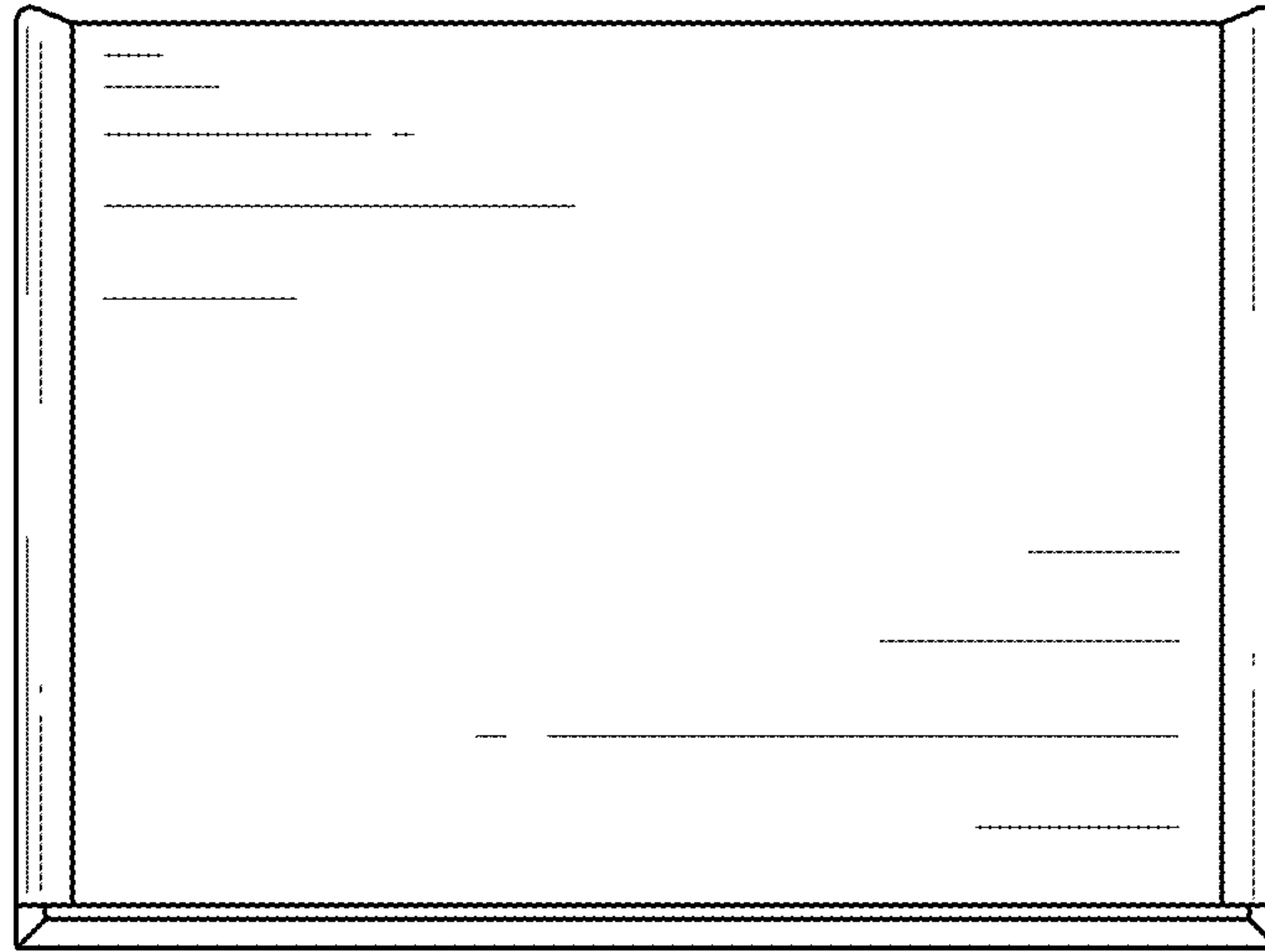


FIG. 5

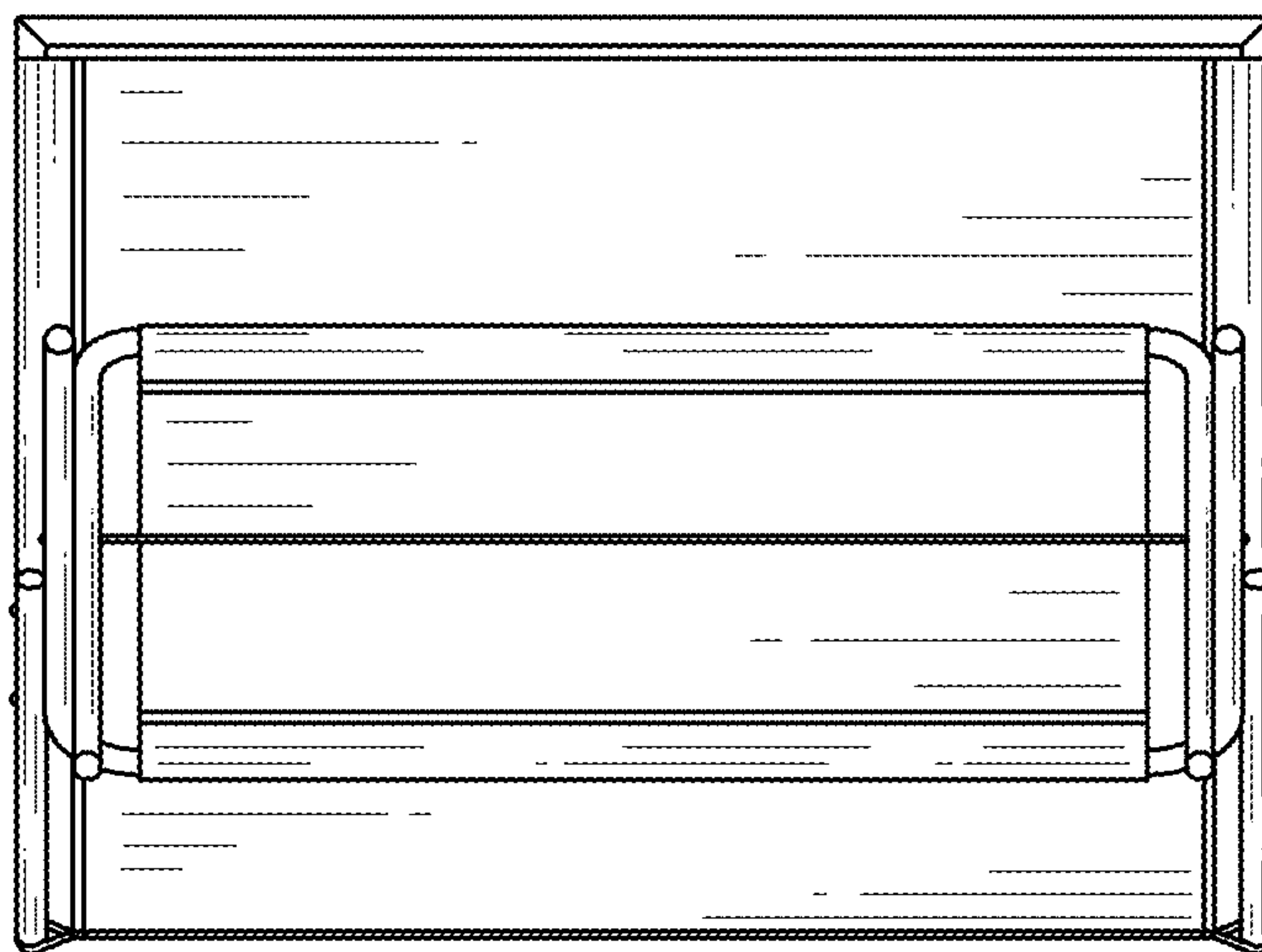


FIG. 6

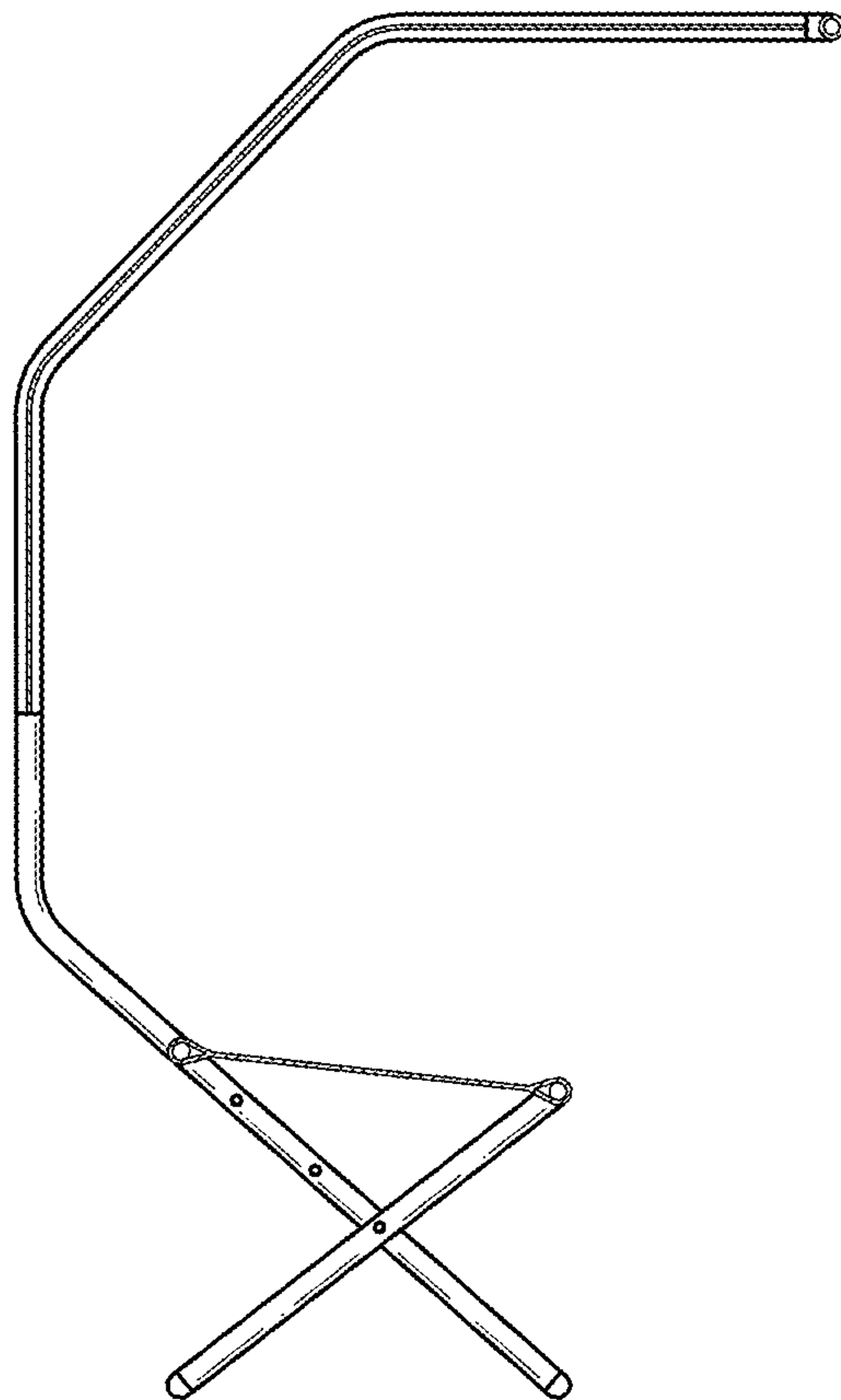


FIG. 7

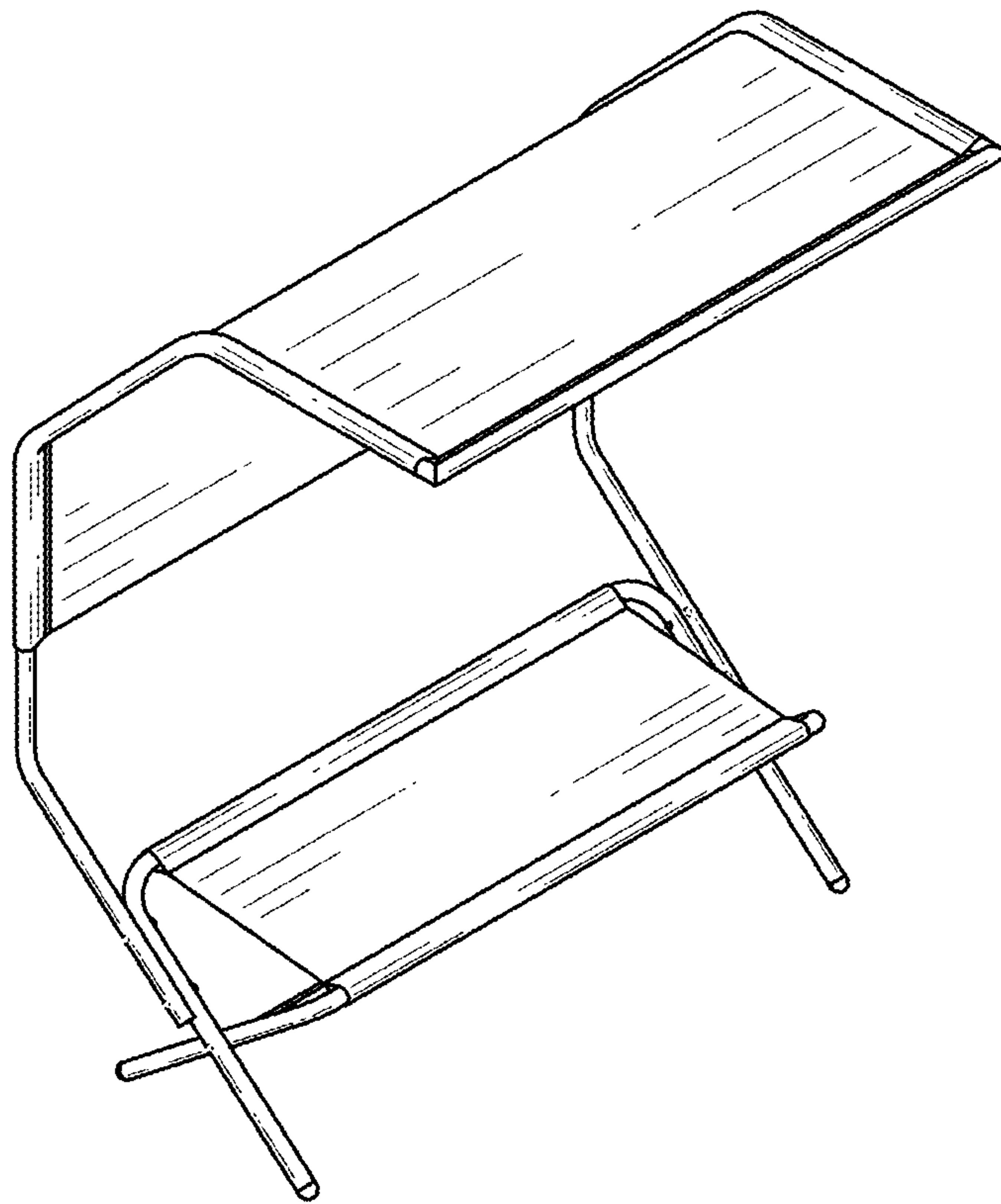


FIG. 8

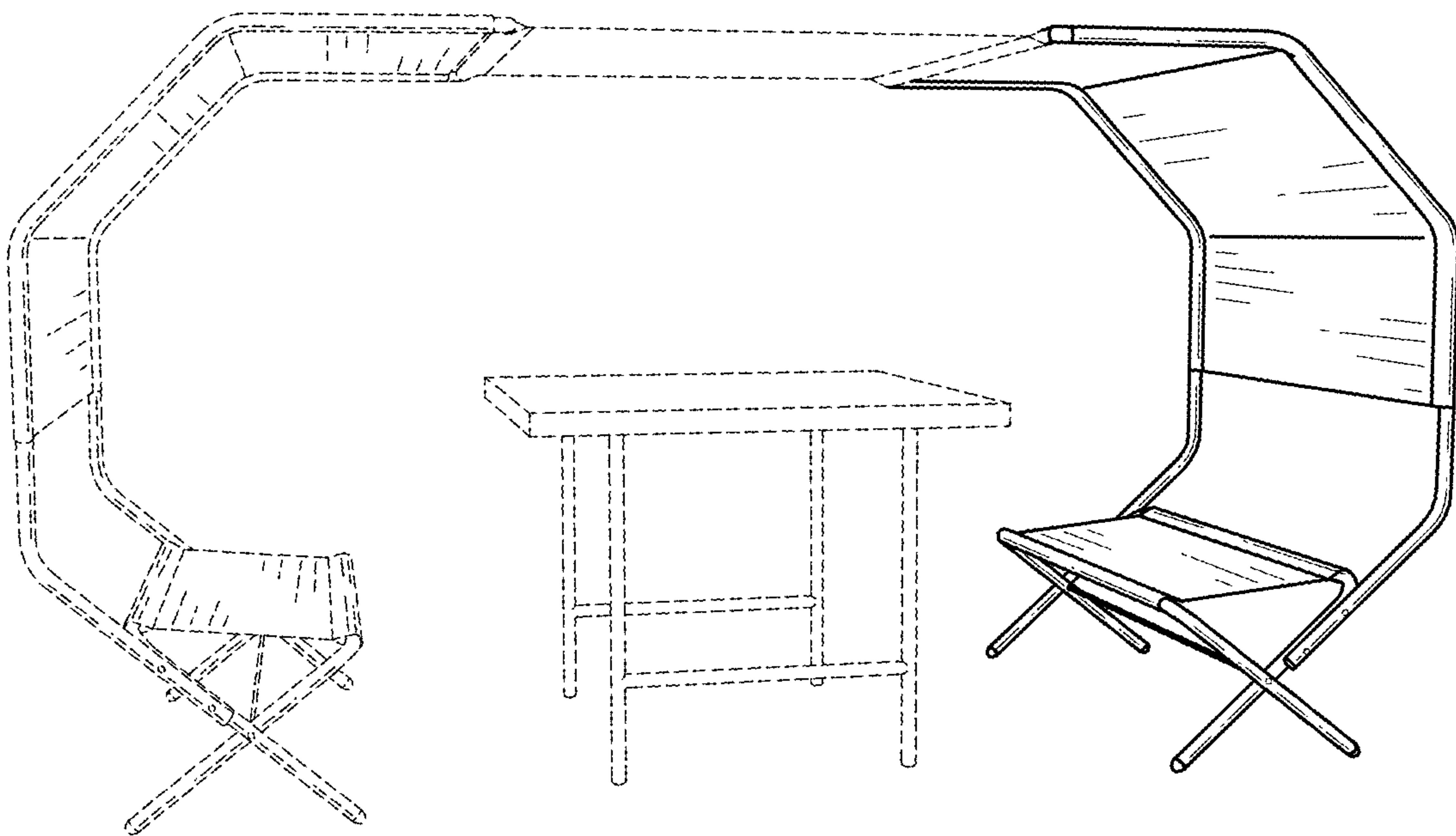


FIG. 9

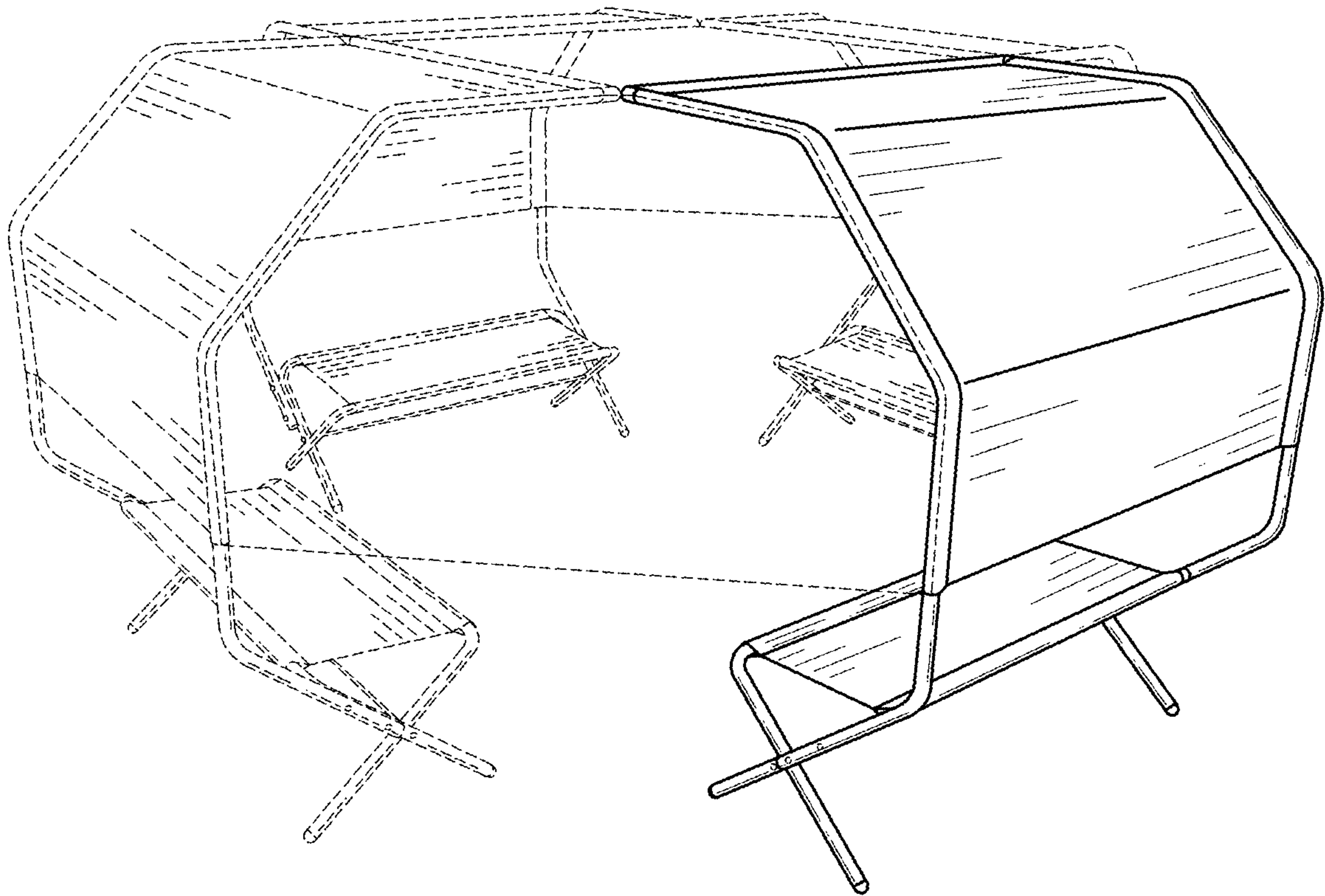


FIG. 10

